



US00D426662S

# United States Patent [19]

[11] **Patent Number: Des. 426,662**

**Taniguchi et al.**

[45] **Date of Patent: \*\* Jun. 13, 2000**

[54] **PORTABLE GAS LANTERN**

*Primary Examiner*—Marcus A. Jackson  
*Attorney, Agent, or Firm*—Bacon & Thomas PLLC

[75] Inventors: **Hitoshi Taniguchi; Hiroaki Hasegawa,**  
both of Tokyo, Japan

[57] **CLAIM**

[73] Assignee: **Iwatani Sangyo Kabushiki Kaisha,**  
Japan

The ornamental design for a portable gas lantern, as shown and described.

[\*\*] Term: **14 Years**

**DESCRIPTION**

[21] Appl. No.: **29/108,238**

[22] Filed: **Jul. 26, 1999**

**Related U.S. Application Data**

[63] Continuation of application No. 09/169,147, Oct. 9, 1998, abandoned.

[51] **LOC (7) Cl. .... 26-02**

[52] **U.S. Cl. .... D26/40**

[58] **Field of Search .... D26/37-50; 362/157,**  
362/158, 183-208

FIG. 1 is a front elevation view of a portable gas lantern showing a first embodiment of our design having three support feet and a transparent globe;

FIG. 2 is a top left perspective front view of a second embodiment of our design having two support feet and a translucent globe, the second embodiment being identical to the first embodiment except for the third support foot and the globe; and,

FIG. 3 is a top left perspective view of the second embodiment shown in a collapsed condition.

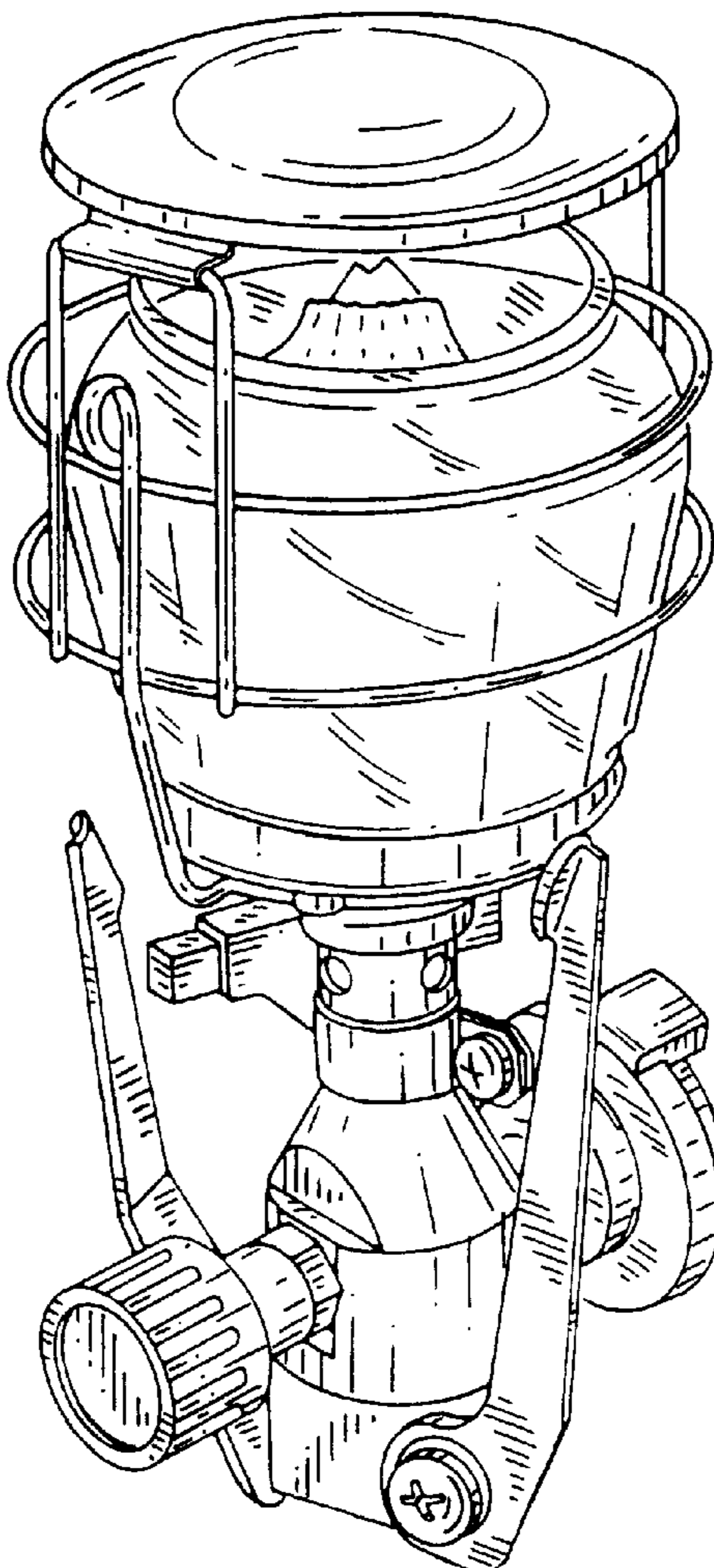
The broken line represents a gas cylinder for illustrative purposes and forms no part of the claimed design.

[56] **References Cited**

**U.S. PATENT DOCUMENTS**

D. 382,358 8/1997 Poon ..... D26/42

**1 Claim, 2 Drawing Sheets**



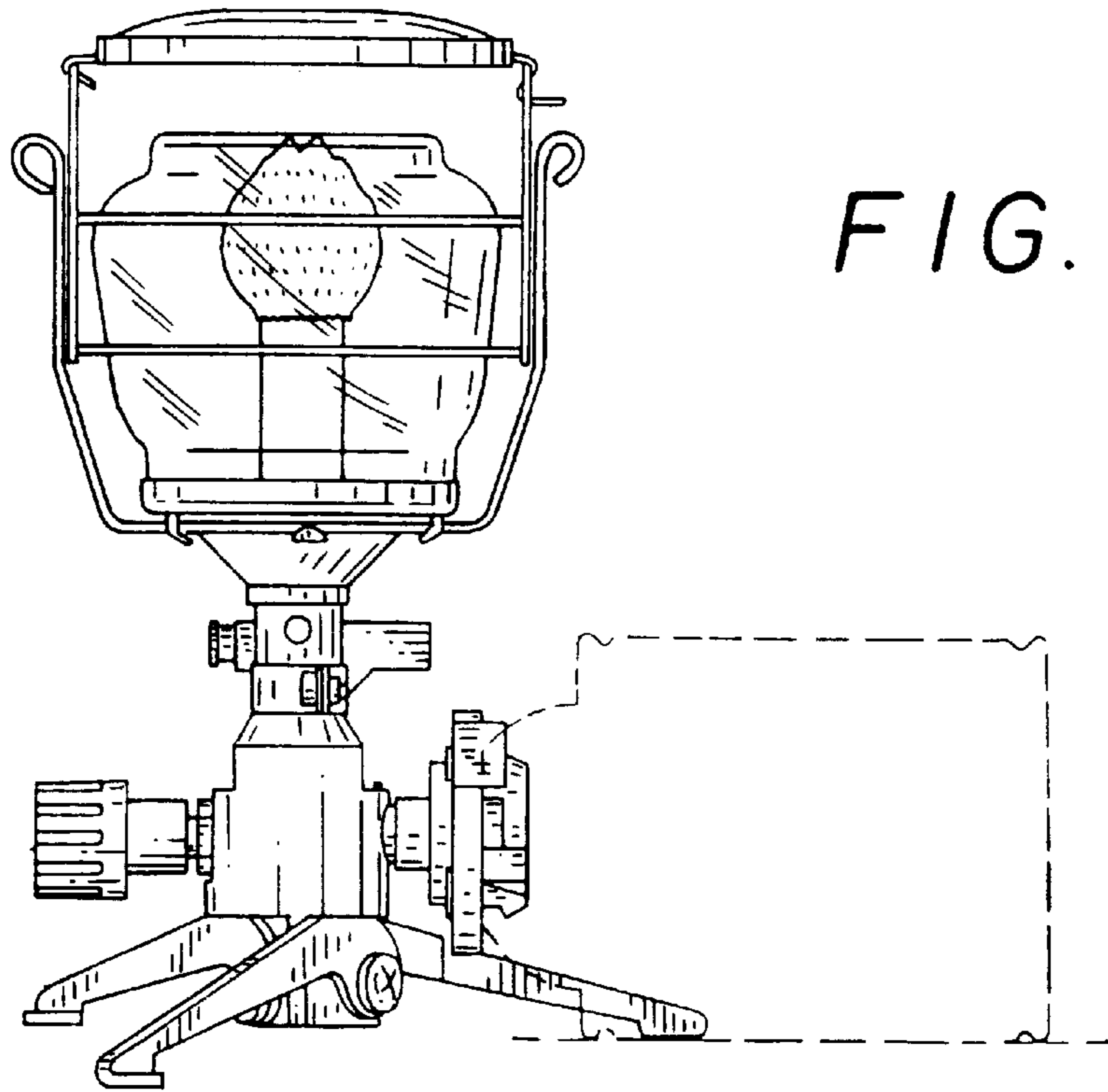


FIG. 1

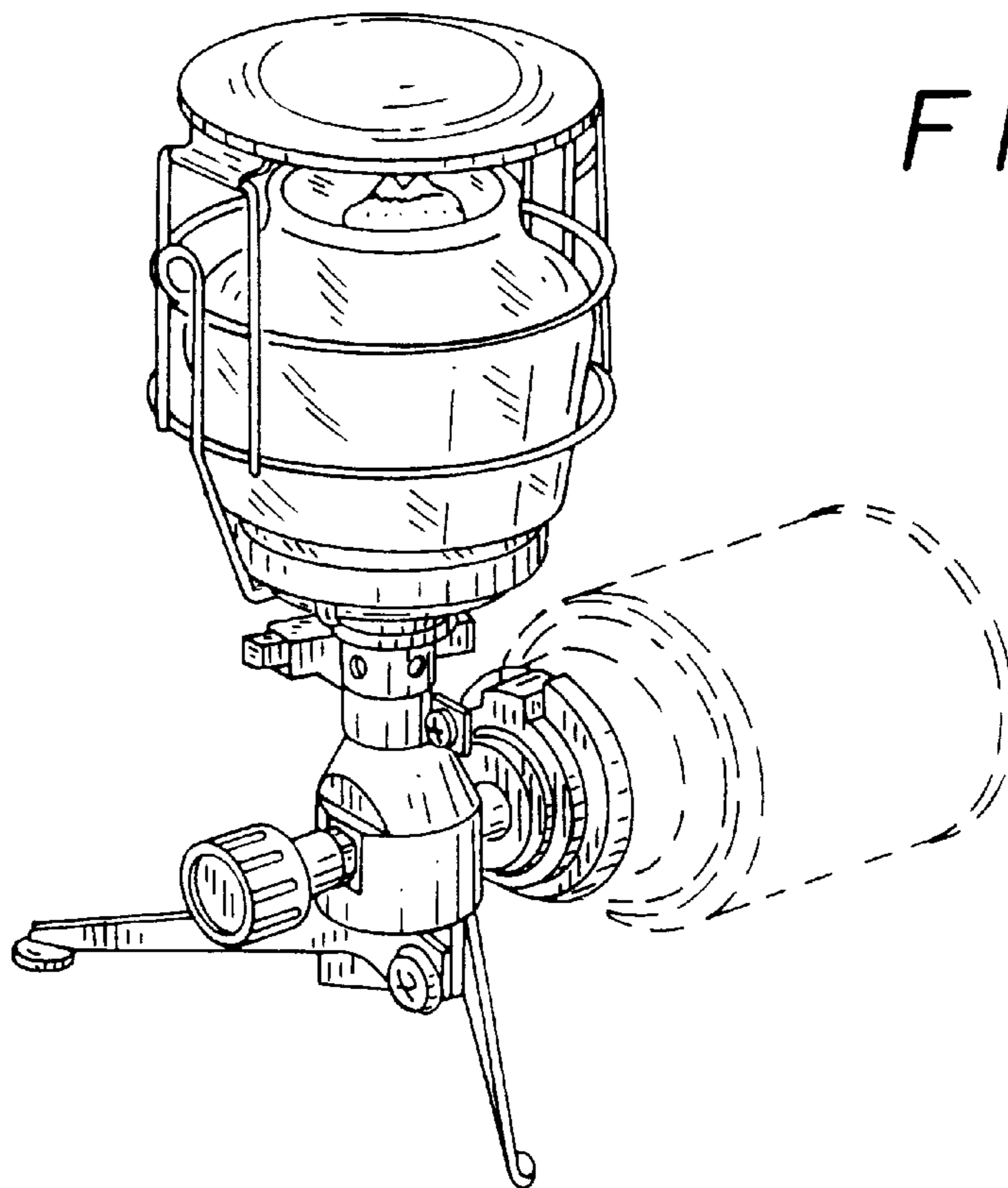


FIG. 2

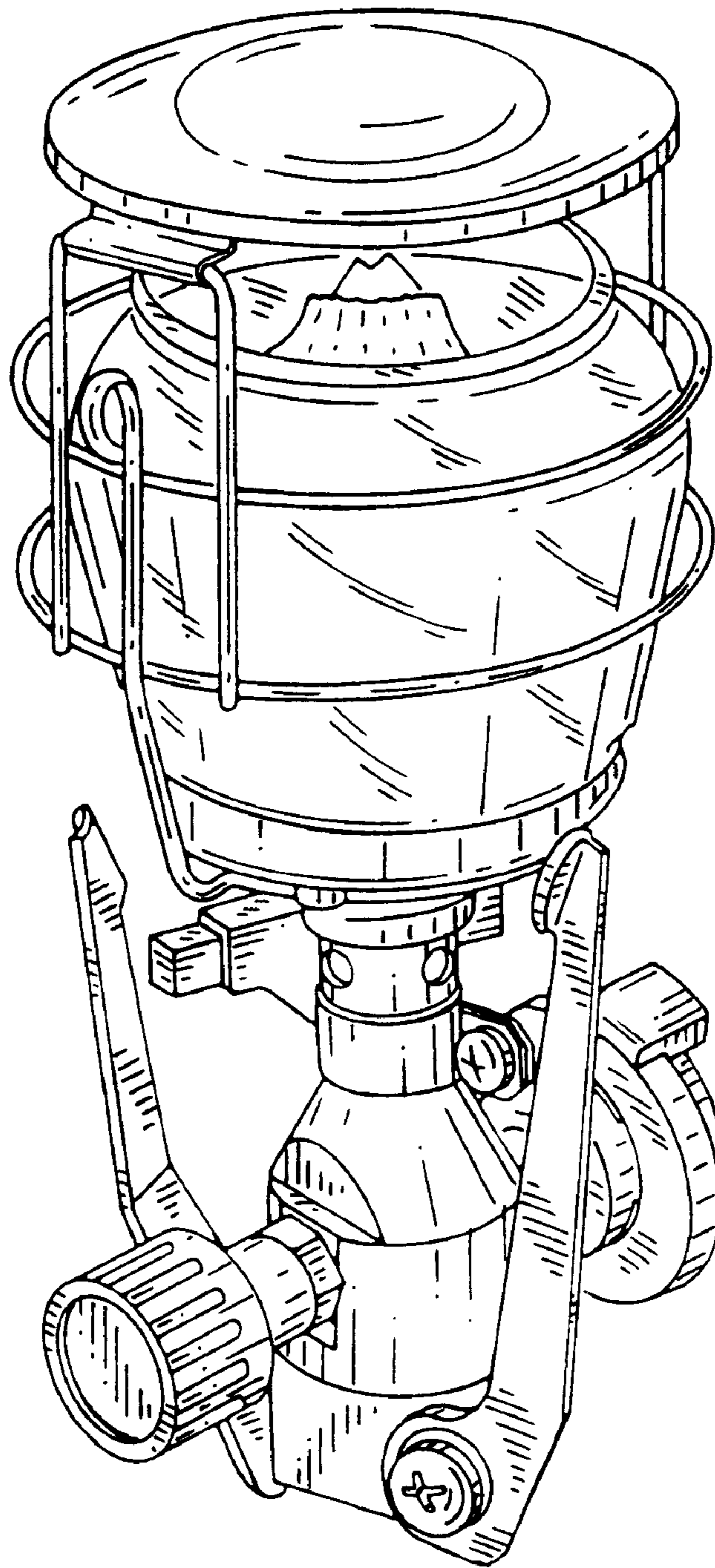


FIG. 3