



US00D426661S

United States Patent [19]

Yuen

[11] **Patent Number: Des. 426,661**

[45] **Date of Patent: ** Jun. 13, 2000**

[54] **MULTI FUNCTION RADIO LANTERN**

[75] Inventor: **John Se-Kit Yuen**, 6/F Yau Lee Centre, 45 Hoi Yuen Road, Kwun Tong, Kowloon, The Hong Kong Special Administrative Region of the People's Republic of China

[73] Assignee: **John Se-Kit Yuen**, Kowloon, The Hong Kong Special Administrative Region of the People's Republic of China

[**] Term: **14 Years**

[21] Appl. No.: **29/112,921**

[22] Filed: **Oct. 26, 1999**

[30] **Foreign Application Priority Data**

Apr. 27, 1999 [GB] United Kingdom 2082983

[51] **LOC (7) Cl.** **26-02**

[52] **U.S. Cl.** **D26/38**

[58] **Field of Search** D26/37-50; 362/157, 362/158, 183-208

[56] **References Cited**

U.S. PATENT DOCUMENTS

D. 377,173 1/1997 Yuen D26/38

D. 387,348 12/1997 Zam et al. D26/38
D. 394,911 6/1998 Yuen D26/38
D. 395,721 6/1998 Wan D26/38

Primary Examiner—Marcus A. Jackson
Attorney, Agent, or Firm—Beall Law Offices

[57] **CLAIM**

The ornamental design for a “multi-function radio lantern,” as shown and described.

DESCRIPTION

FIG. 1 is a left side elevational view of a multi function radio lantern showing my new design;

FIG. 2 is a front elevational view thereof;

FIG. 3 is a right side elevational view thereof;

FIG. 4 is a rear elevational view thereof;

FIG. 5 is a top plan elevational view thereof;

FIG. 6 is a bottom plan elevational view thereof;

FIG. 7 is a right side elevational view showing handle and spotlight in alternative positions thereof; and,

FIG. 8 is a right side elevational view showing handle in alternative position thereof.

1 Claim, 4 Drawing Sheets

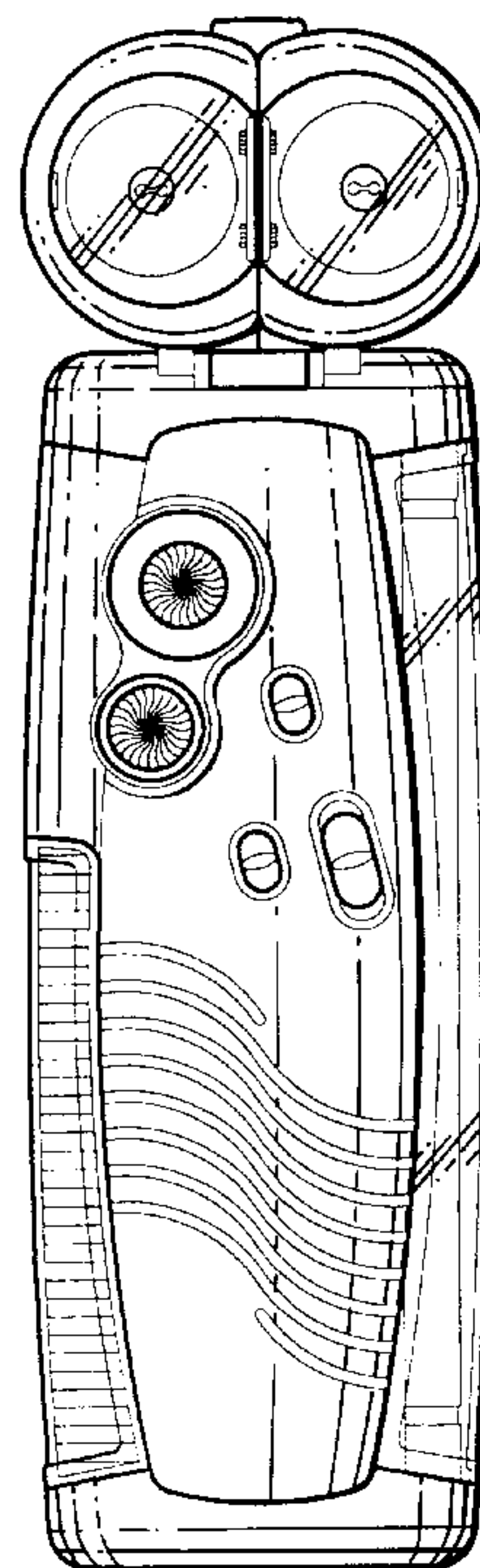
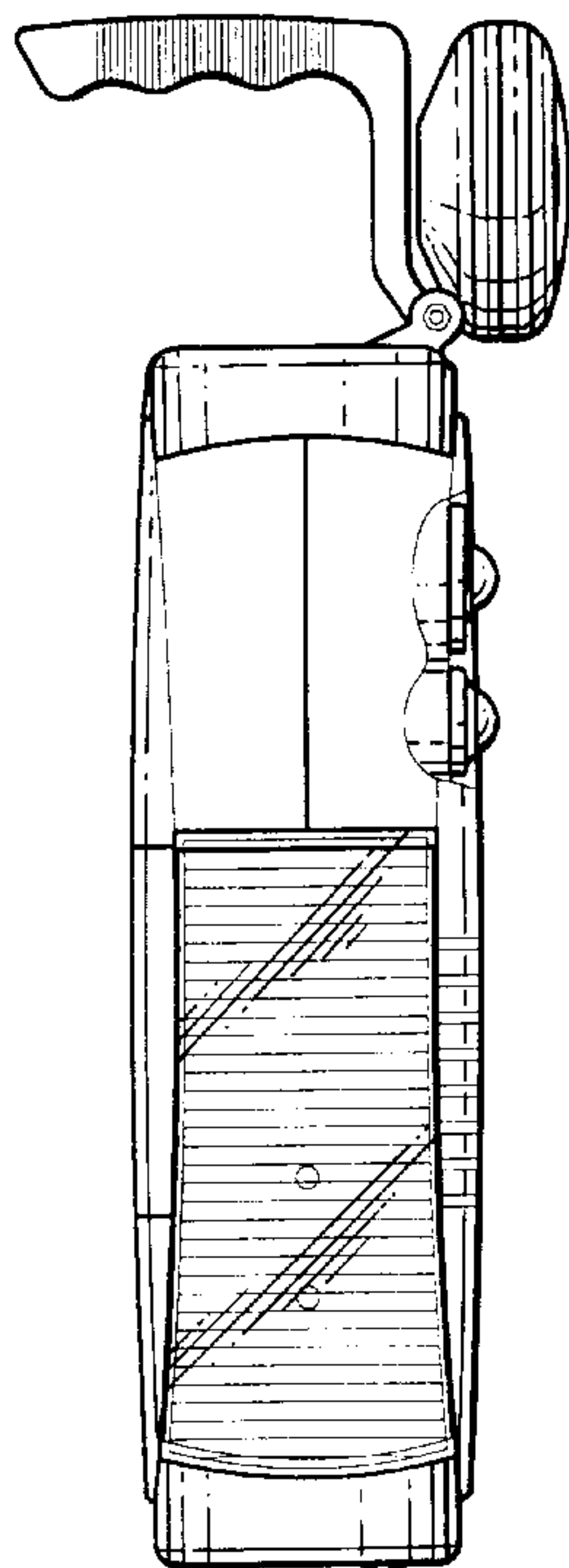


FIG. 1

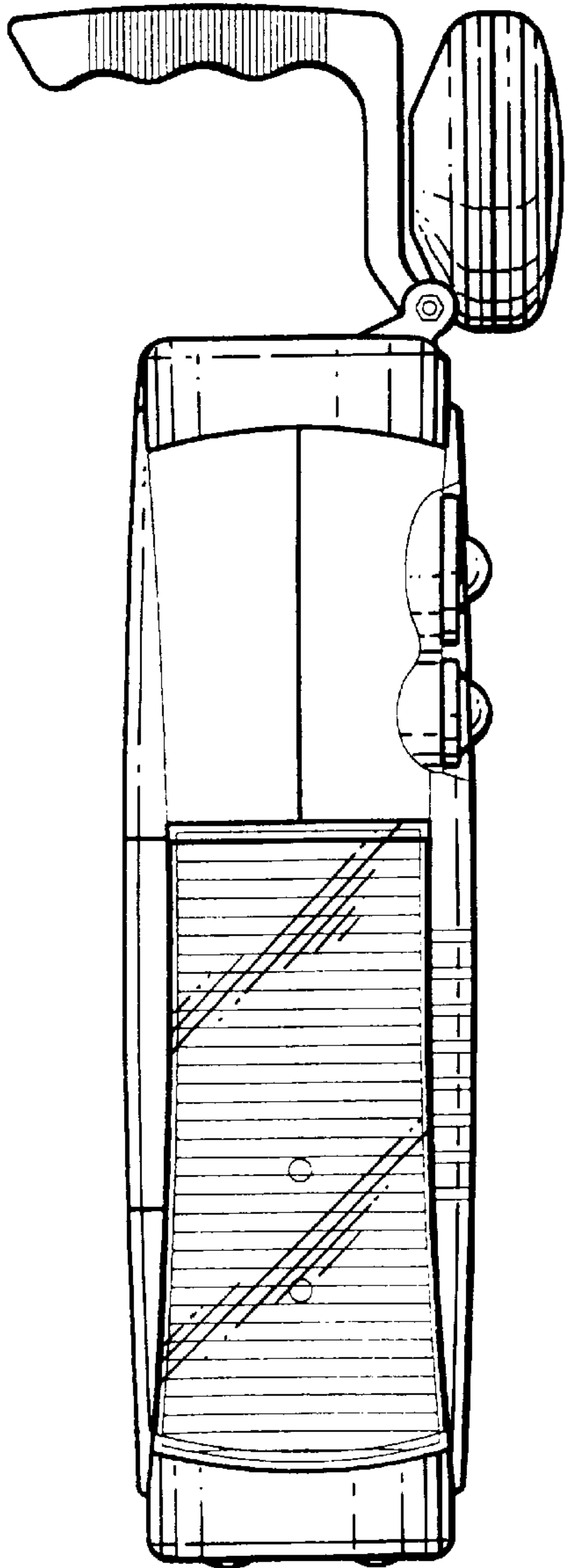


FIG. 2

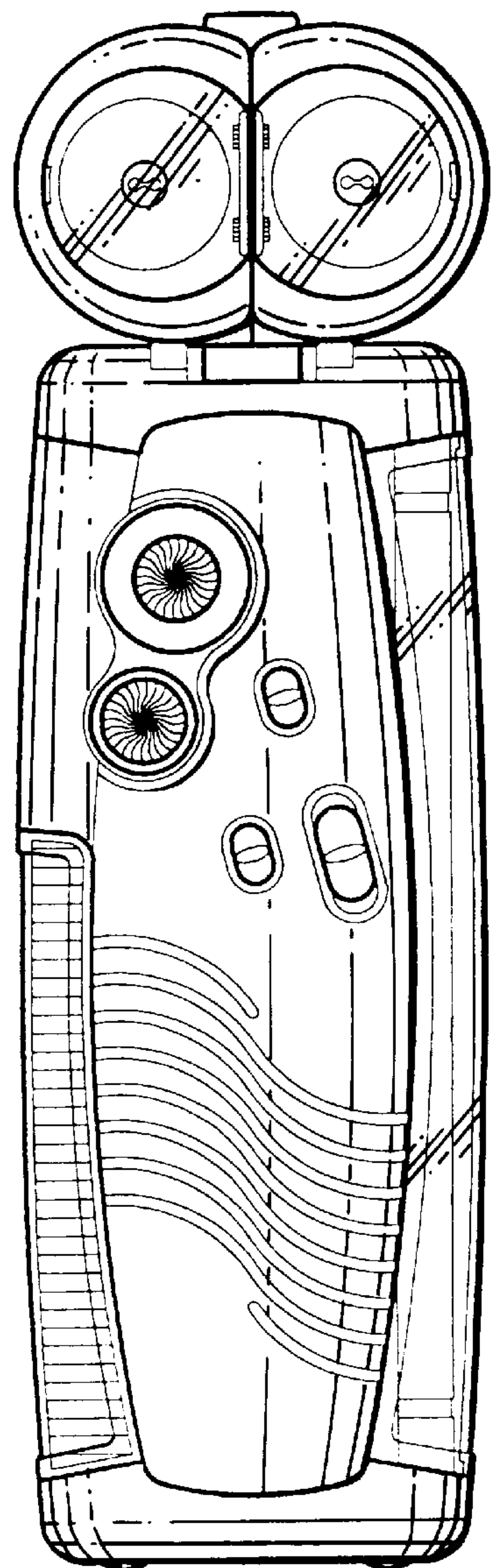


FIG. 3

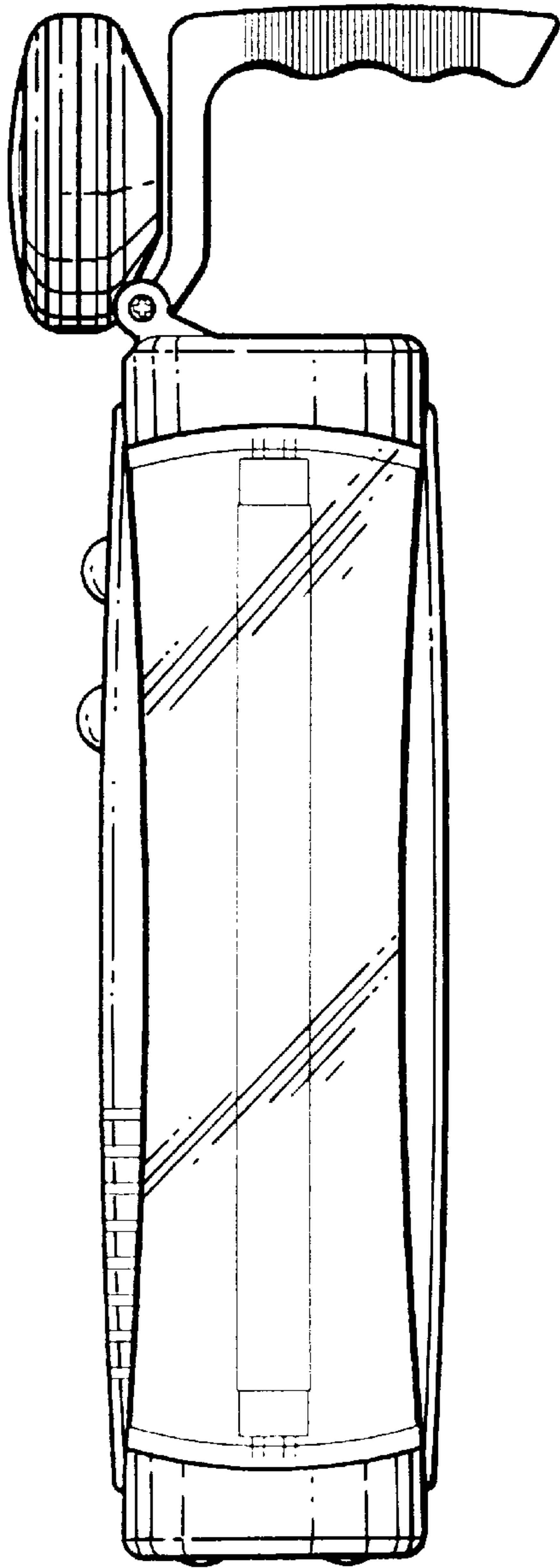


FIG. 4

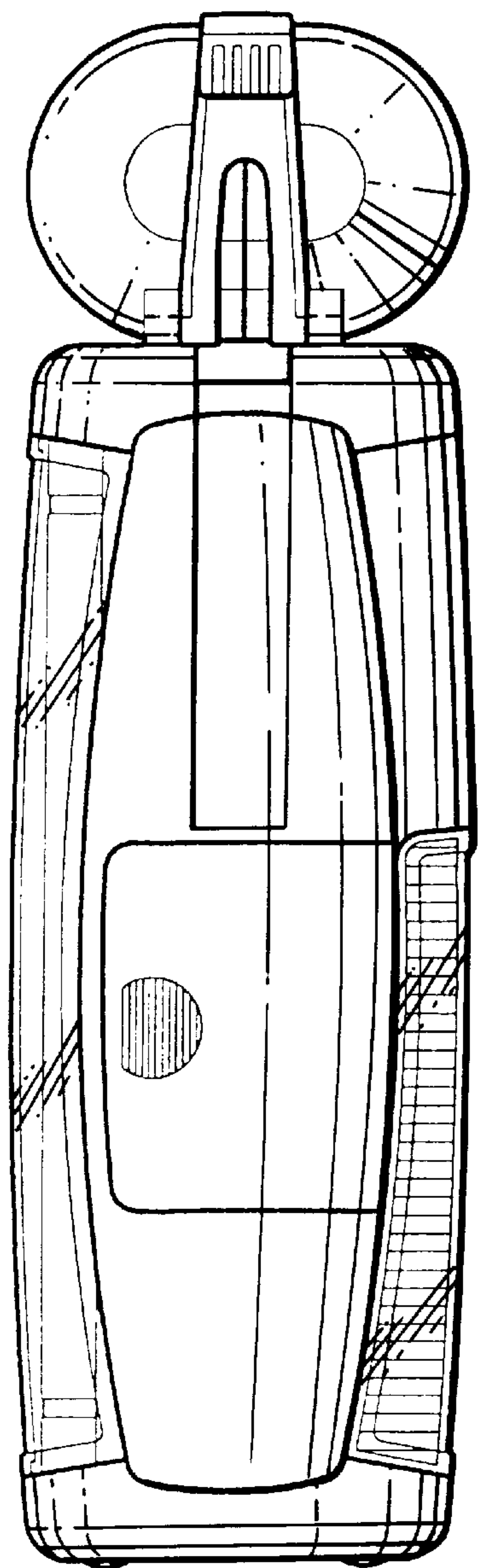


FIG. 5

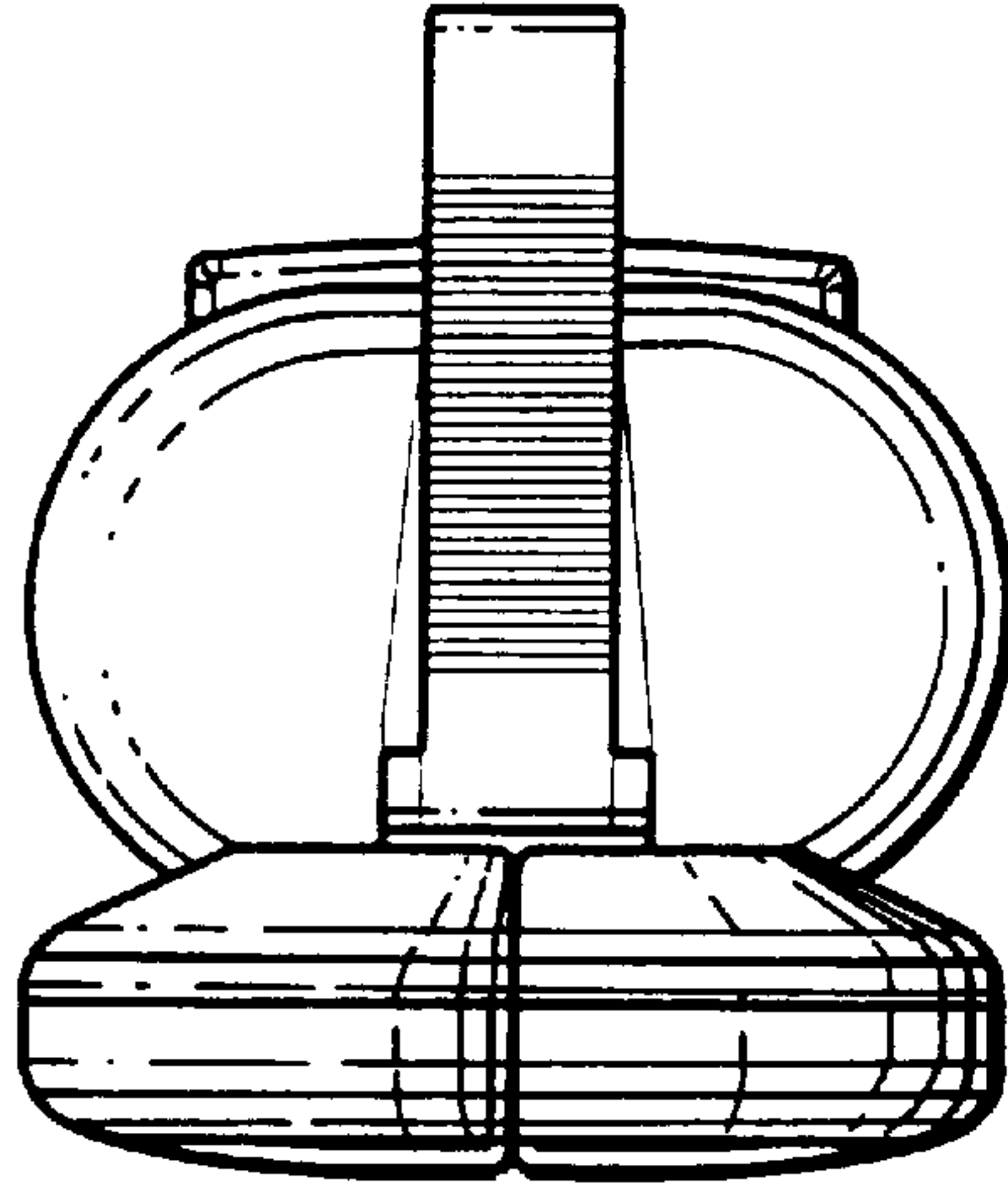


FIG. 6

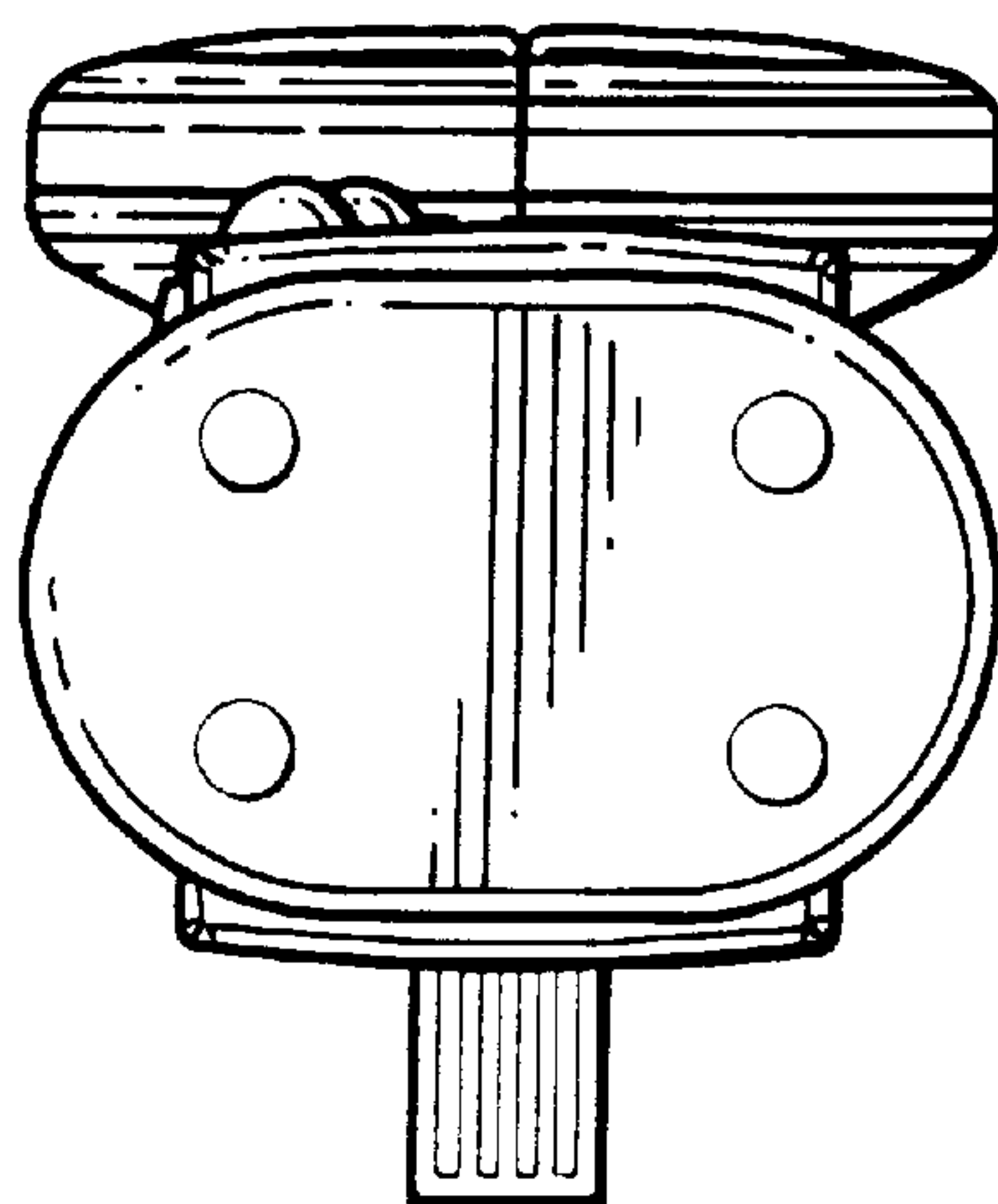


FIG. 7

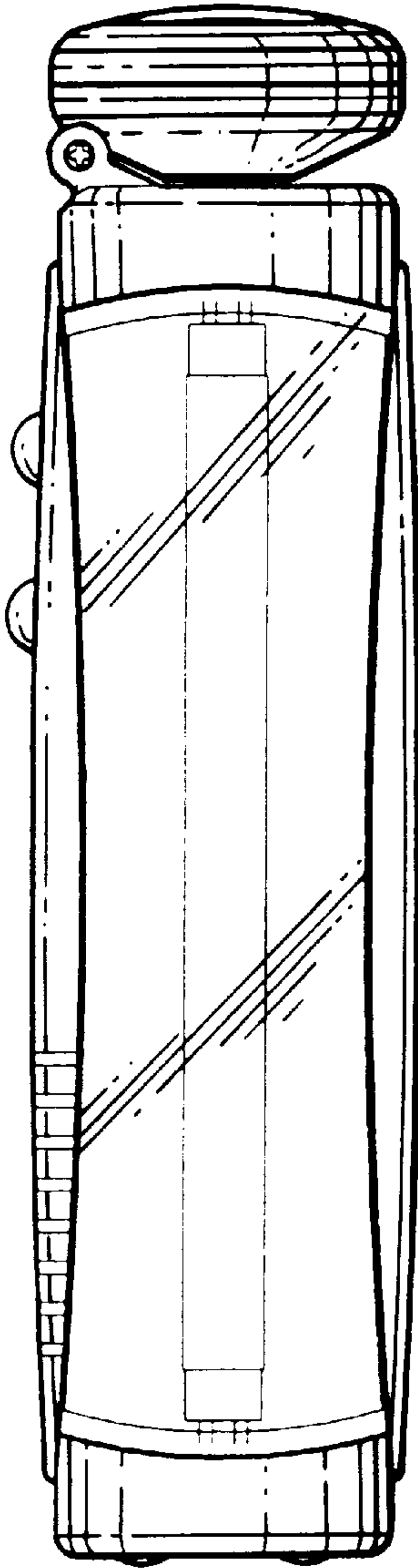


FIG. 8

