



US00D426659S

United States Patent [19]

[11] Patent Number: Des. 426,659

Lee

[45] Date of Patent: ** Jun. 13, 2000

[54] ALL WEATHER SOLAR DYNAMO RECHARGEABLE RADIO WITH TORCH/LANTERN/EMERGENCY LIGHT AND SIREN

Primary Examiner—Susan J. Lucas
Attorney, Agent, or Firm—Birch, Stewart, Kolasch & Birch, LLP

[75] Inventor: Kenneth G. H. Lee, Kowloon, The Hong Kong Special Administrative Region of the People's Republic of China

[57] CLAIM

The ornamental design for an all weather solar dynamo rechargeable radio with torch/lantern/emergency light and siren, as shown and described.

[73] Assignee: Ten Forward Ltd., New Territories, The Hong Kong Special Administrative Region of the People's Republic of China

DESCRIPTION

[**] Term: 14 Years

FIG. 1 is a front elevational view of an all weather solar dynamo rechargeable radio with torch/lantern/emergency light and siren showing my new design;
FIG. 2 is a rear elevational view thereof;
FIG. 3 is a right side elevational view thereof;
FIG. 4 is a left side elevational view thereof;
FIG. 5 is a top plan view thereof;
FIG. 6 is a bottom plan view thereof;
FIG. 7 is a front elevational view with a front part being illustrated in an alternative position;
FIG. 8 is a top plan view with a front part and a crank member being illustrated in an alternative position;
FIG. 9 is a rear perspective view with a front part, a crank member and an antenna being illustrated in an alternative position; and,
FIG. 10 is a rear elevational view with a crank member being illustrated in an alternative position.

[21] Appl. No.: 29/104,375

[22] Filed: May 4, 1999

[51] LOC (7) Cl. 26-02

[52] U.S. Cl. D26/38

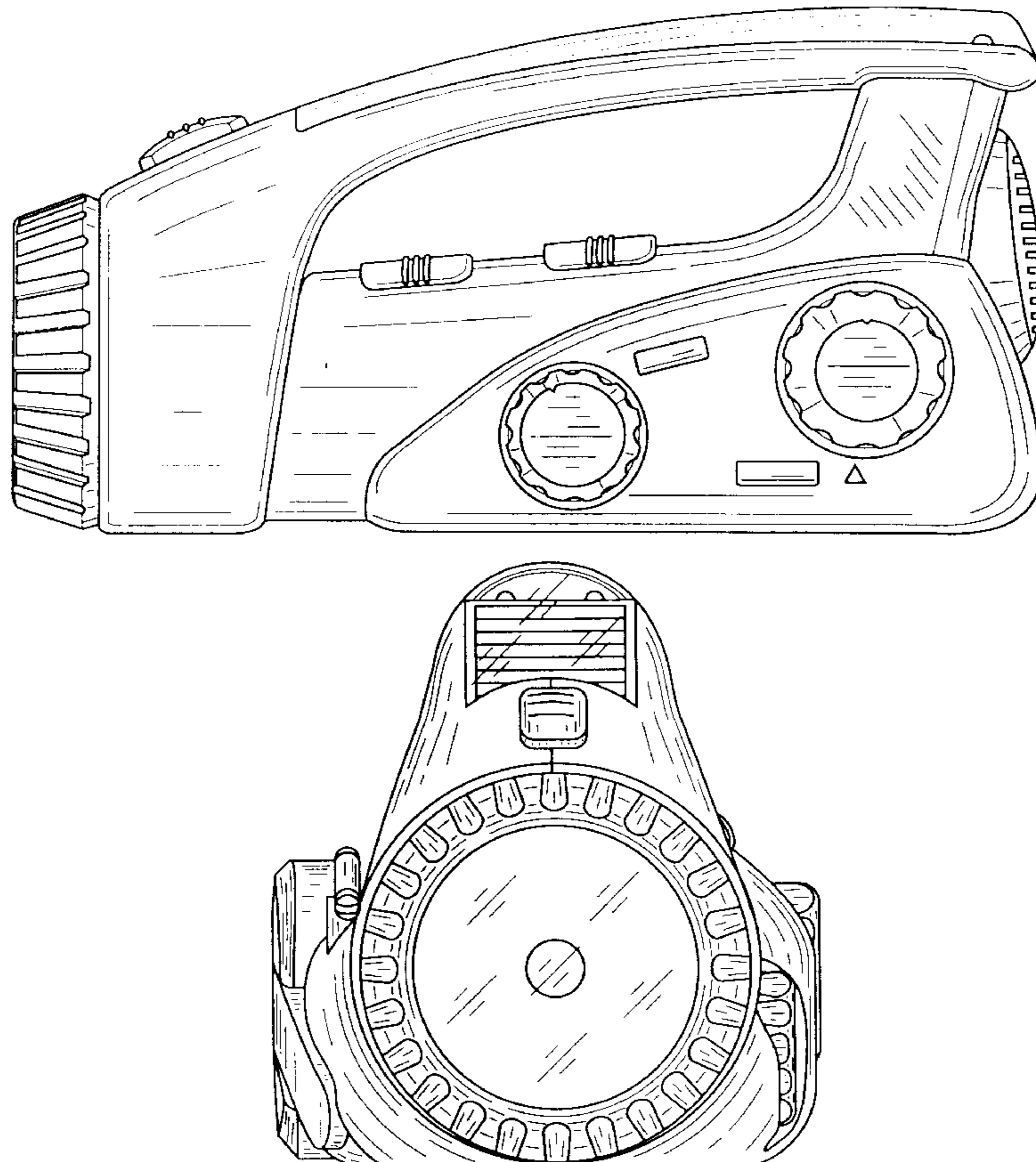
[58] Field of Search D26/37-50; 362/86, 362/87, 183-208, 253; D14/168

[56] References Cited

U.S. PATENT DOCUMENTS

- D. 368,783 4/1996 Peersmann D26/38
- D. 387,349 12/1997 Yuen D26/38 X
- D. 390,229 2/1998 Lee D26/38 X

1 Claim, 5 Drawing Sheets



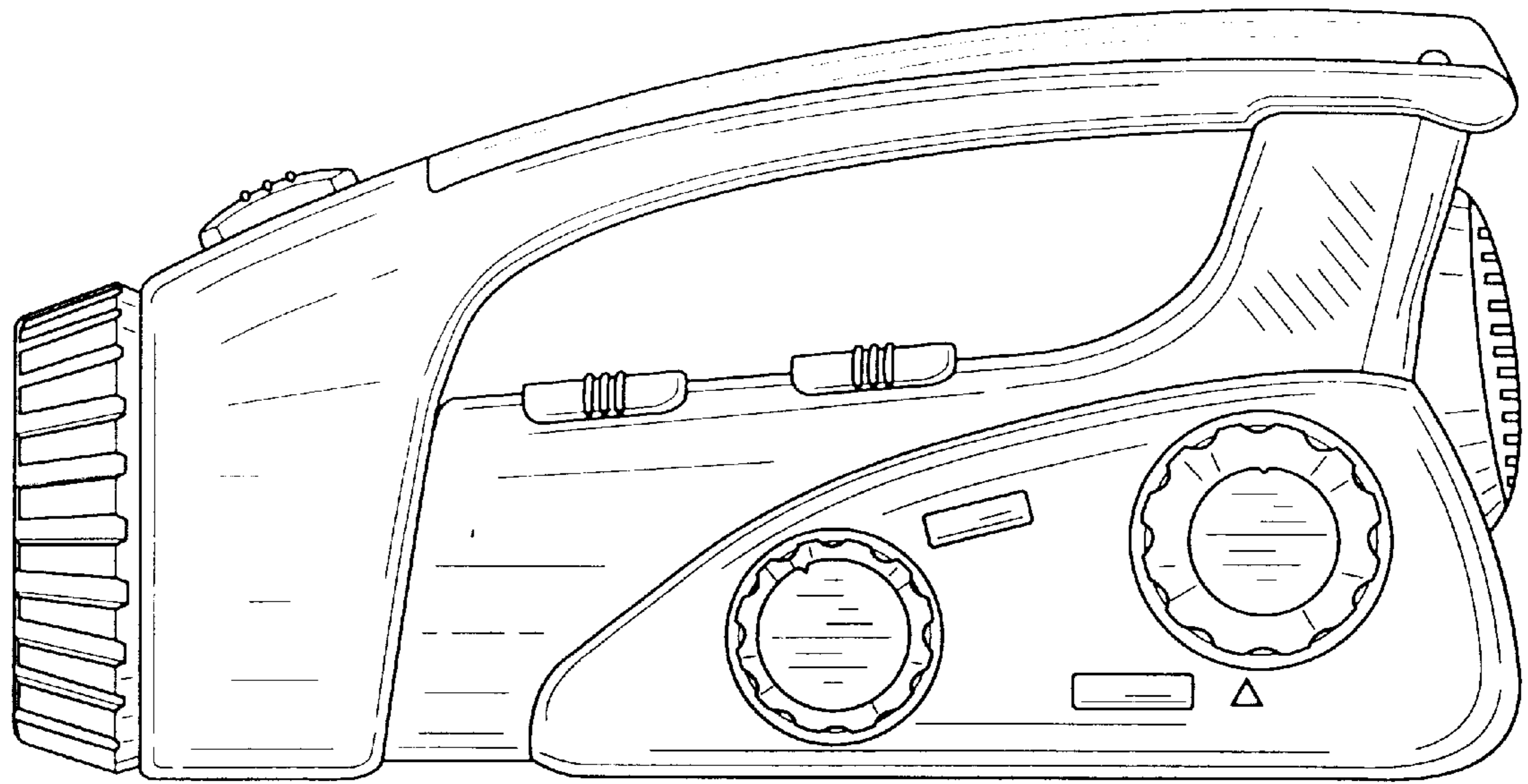


FIG. 1

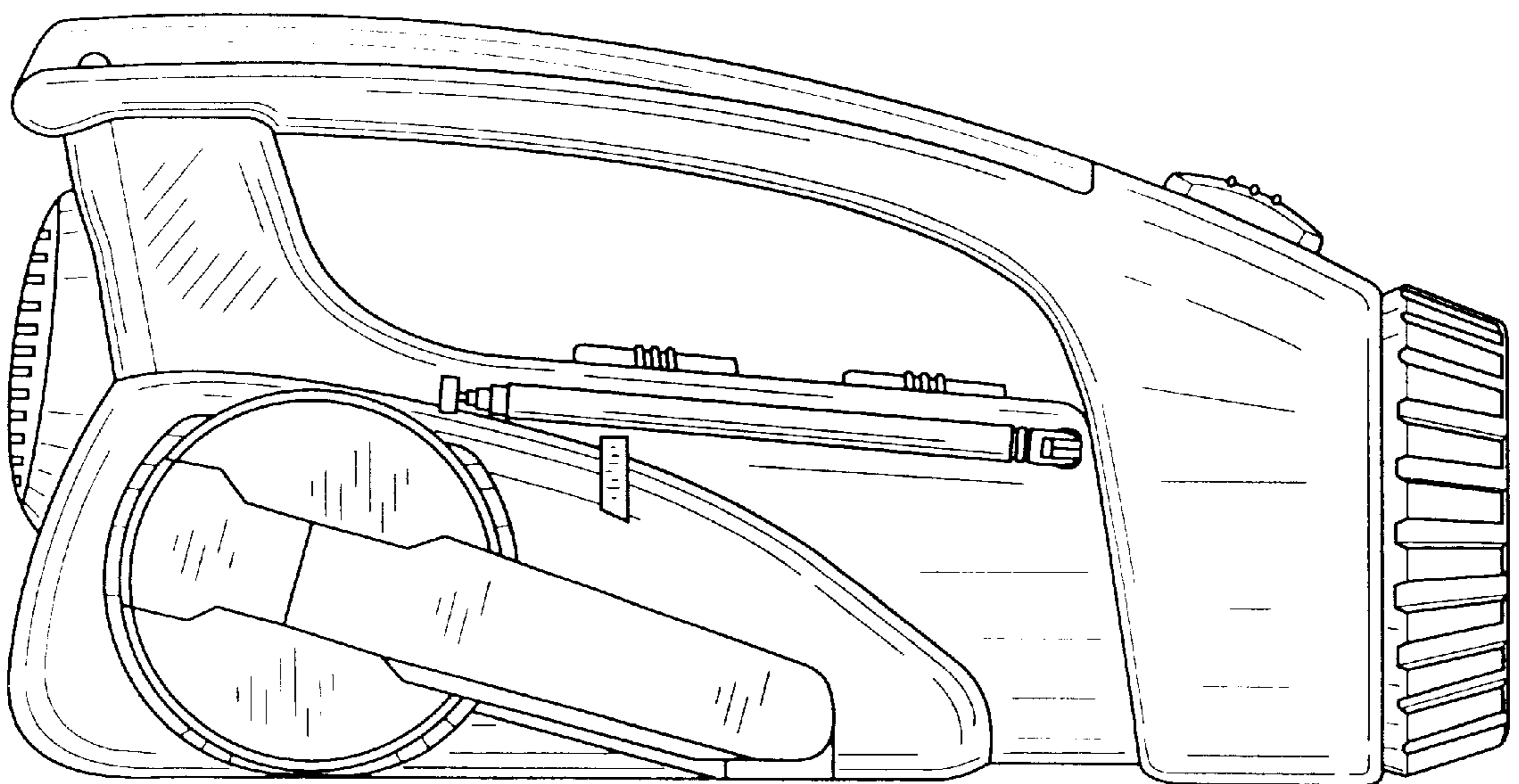


FIG. 2

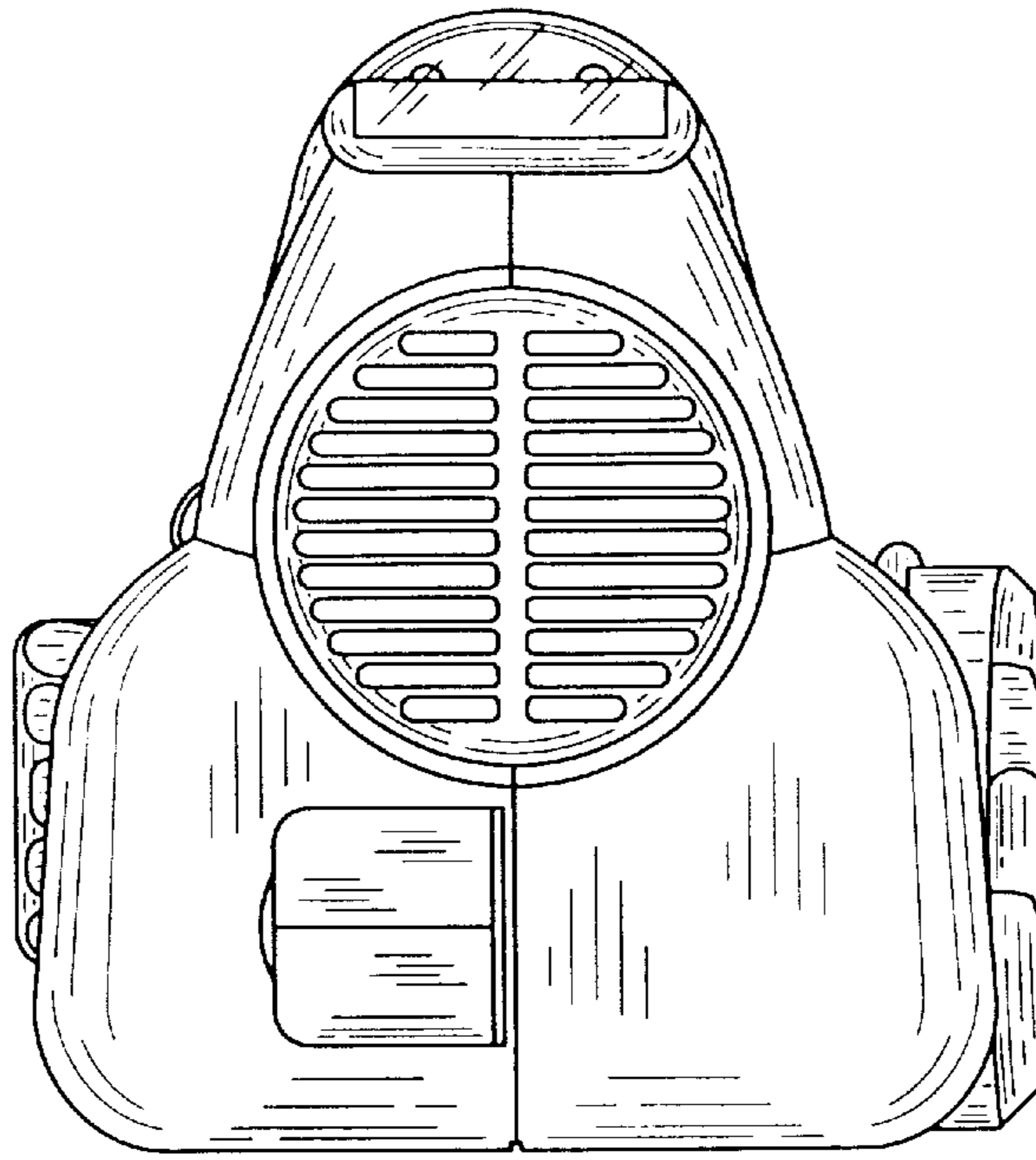


FIG. 3

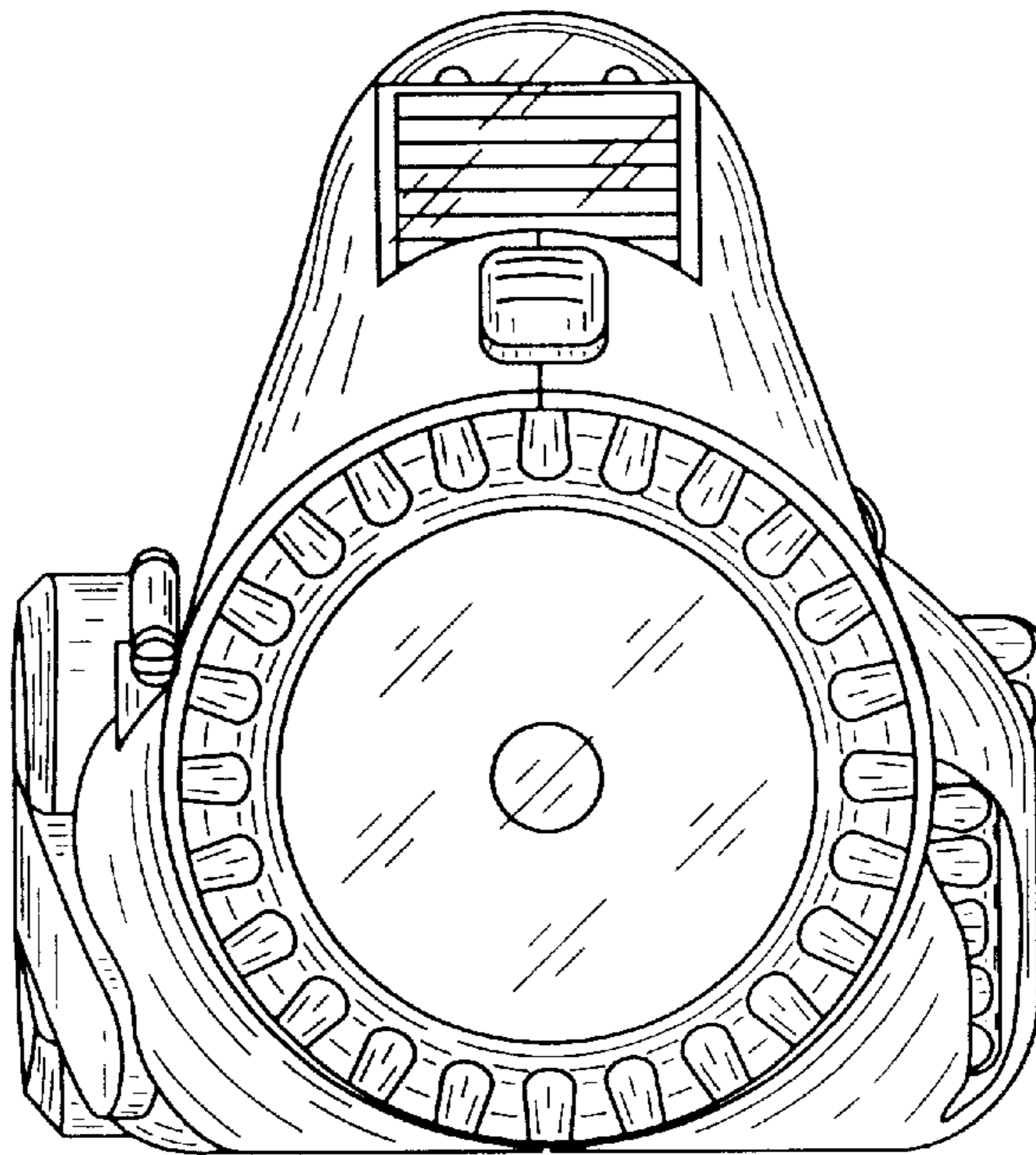


FIG. 4

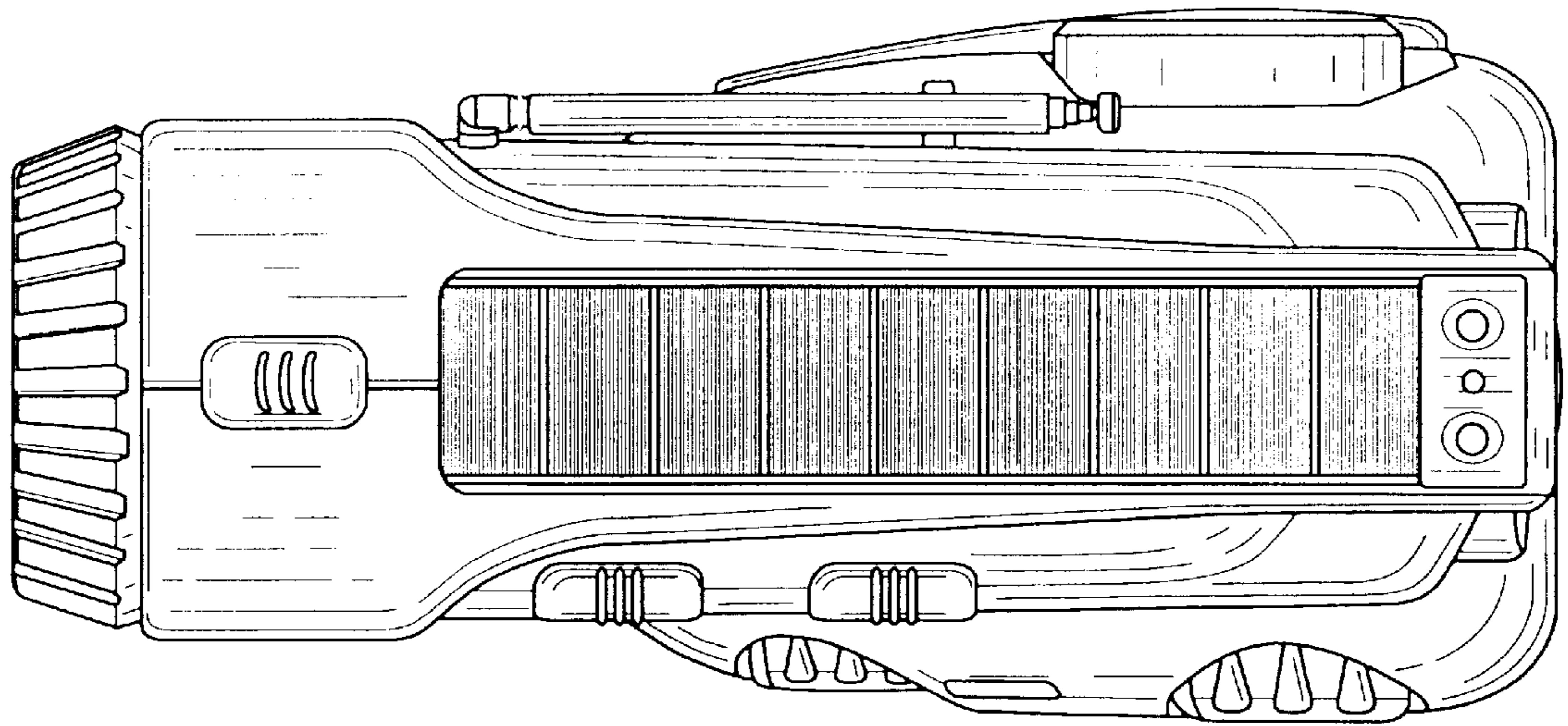


FIG. 5

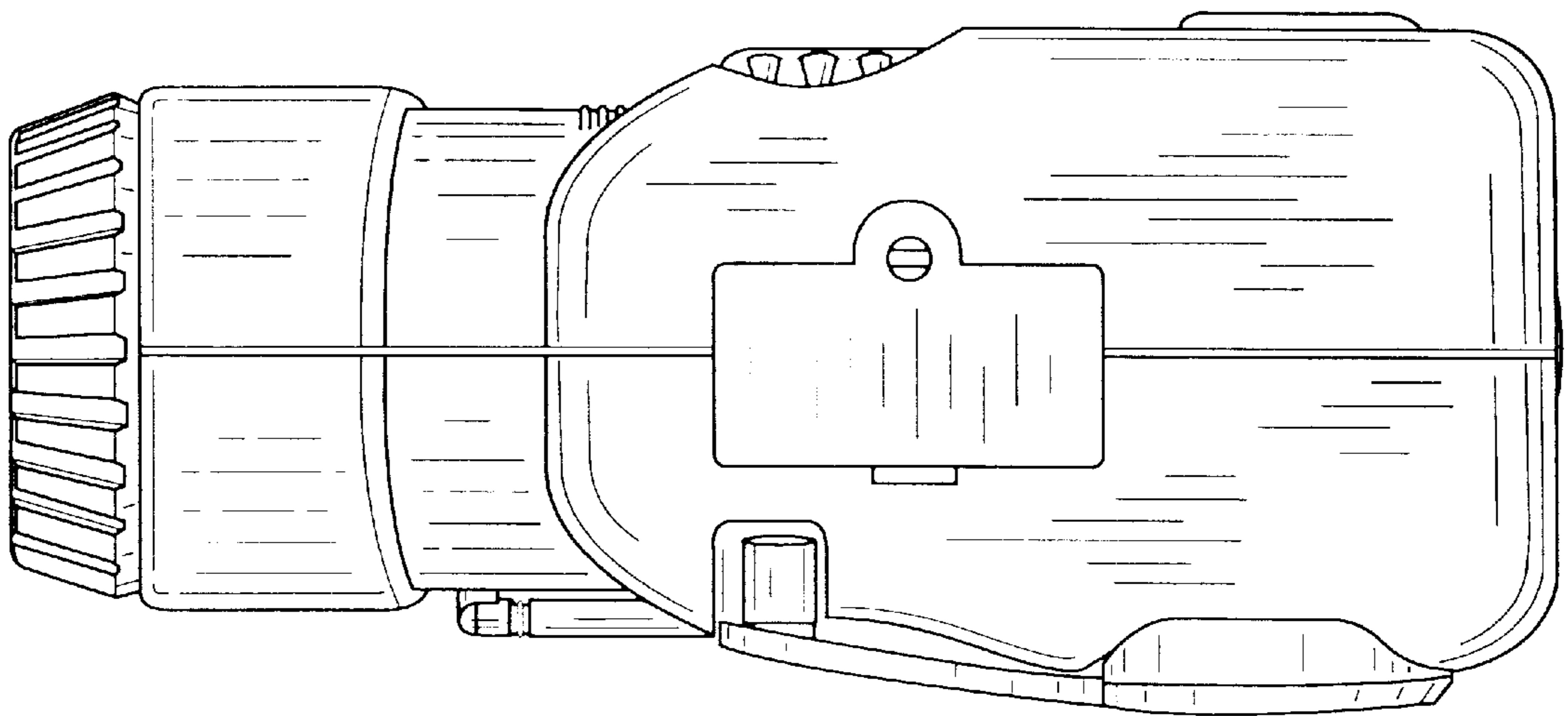


FIG. 6

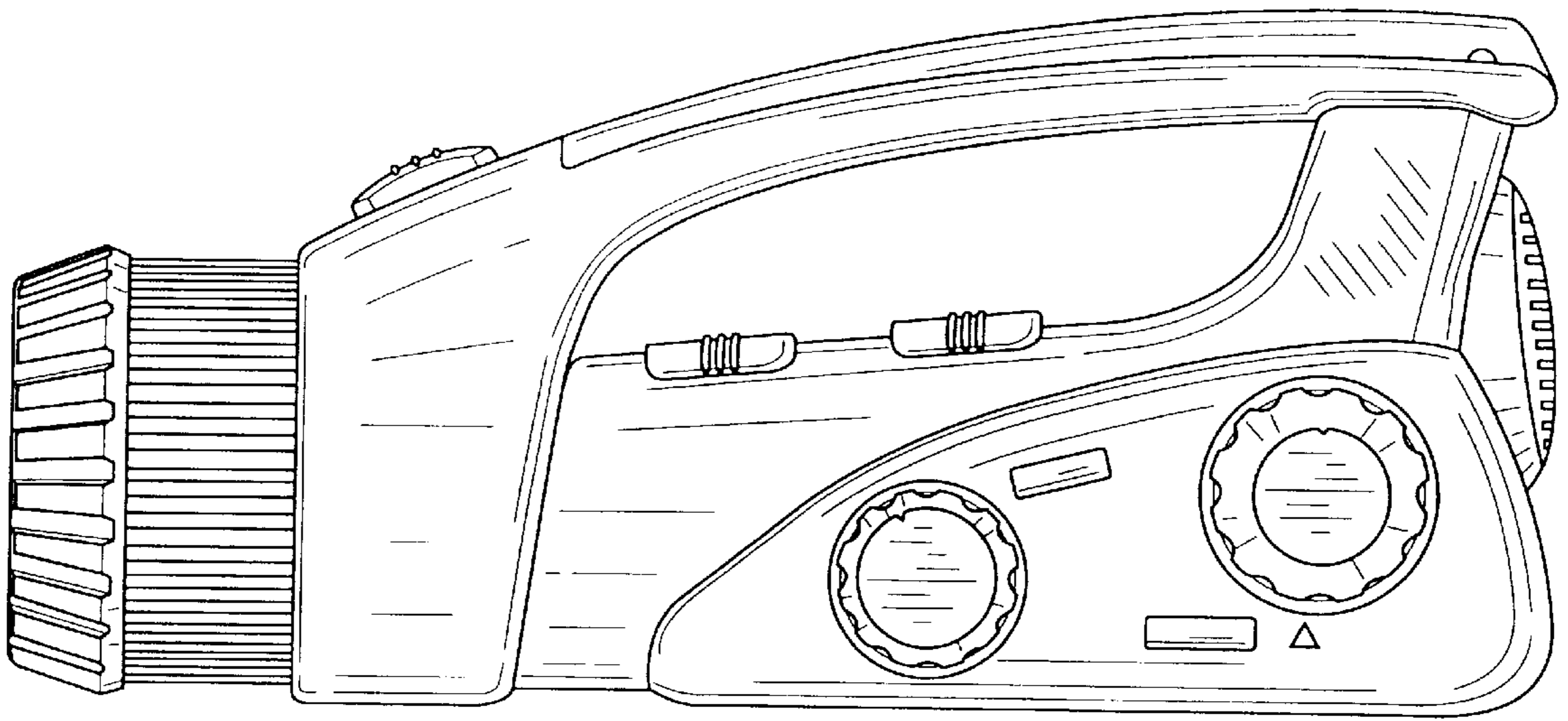


FIG. 7

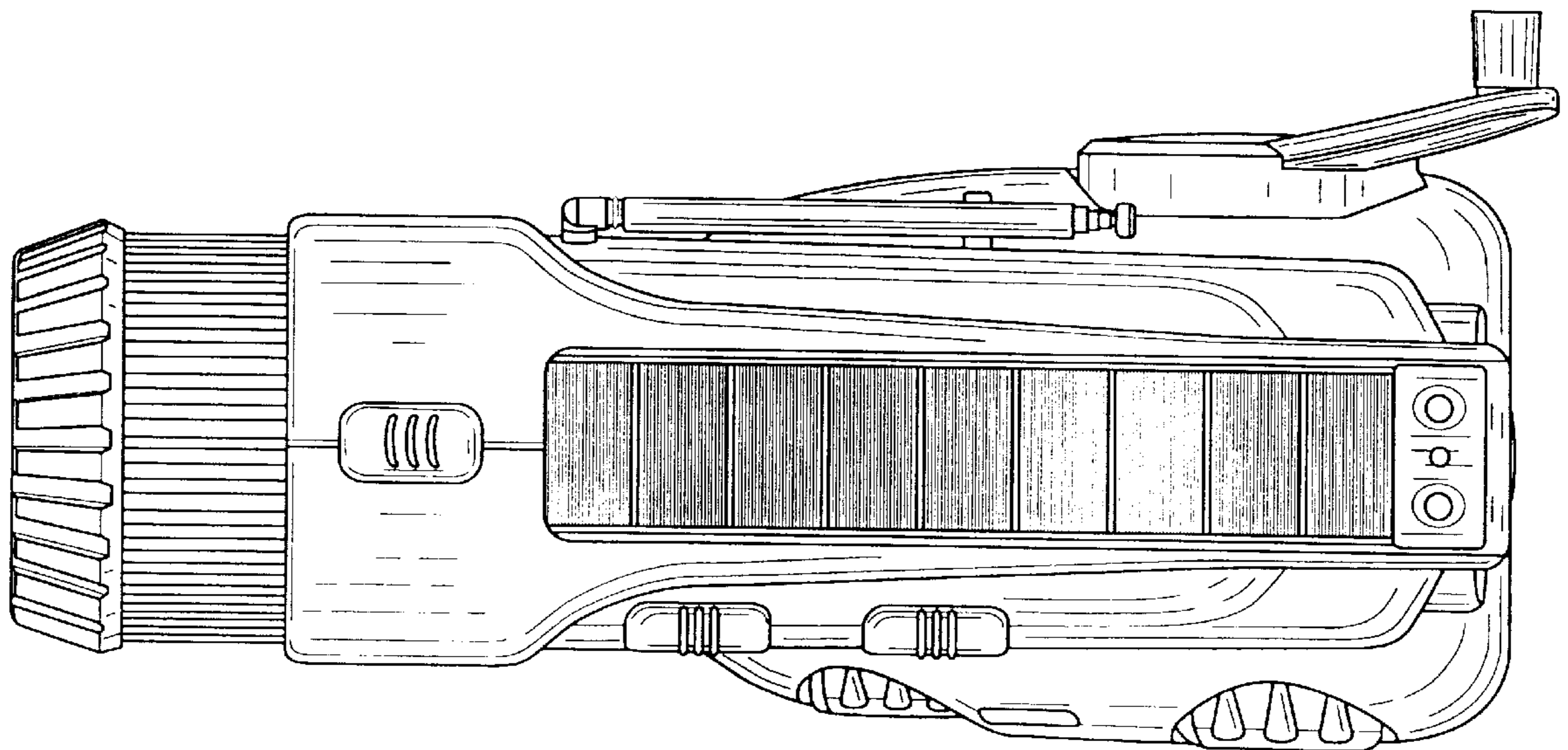


FIG. 8

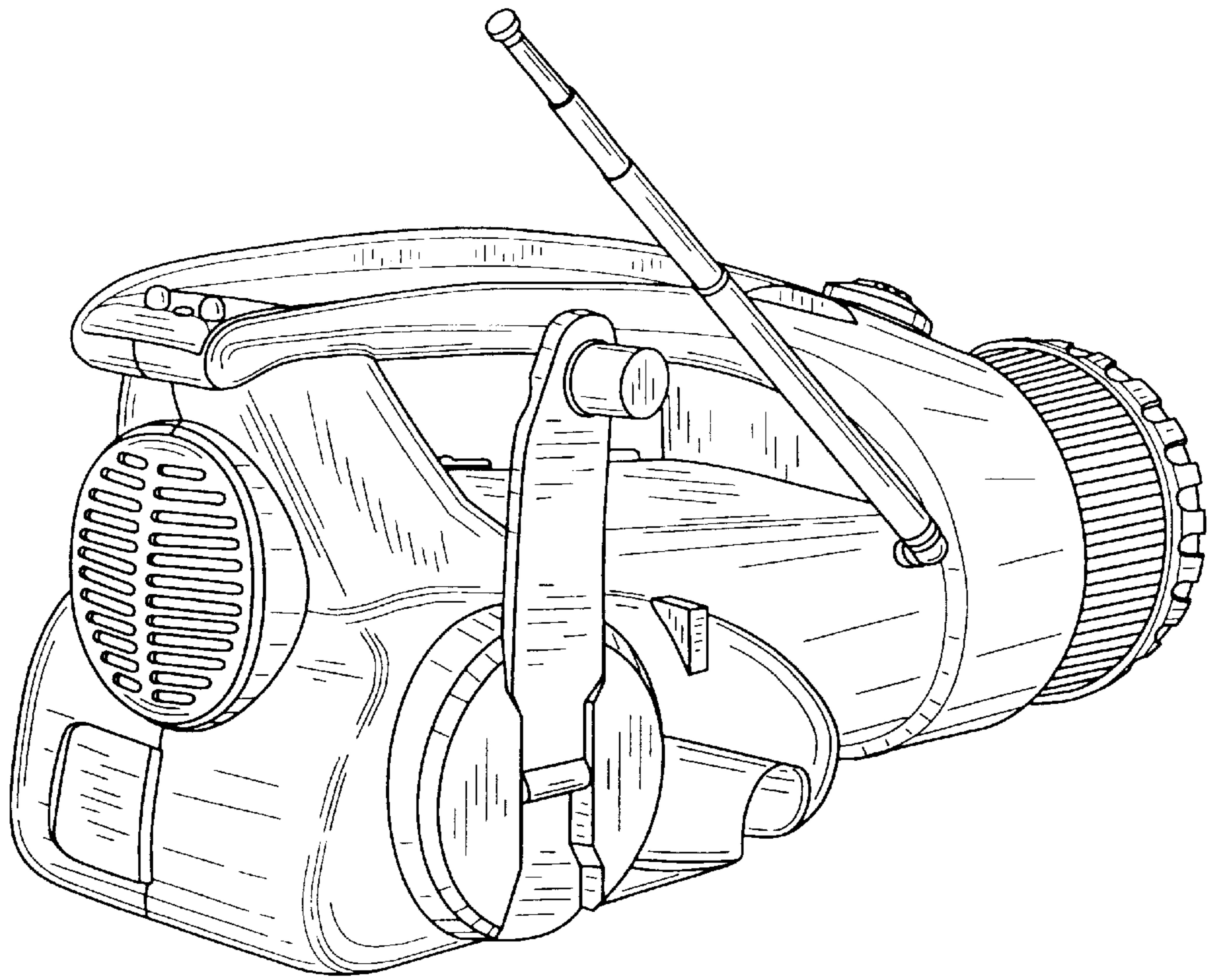


FIG. 9

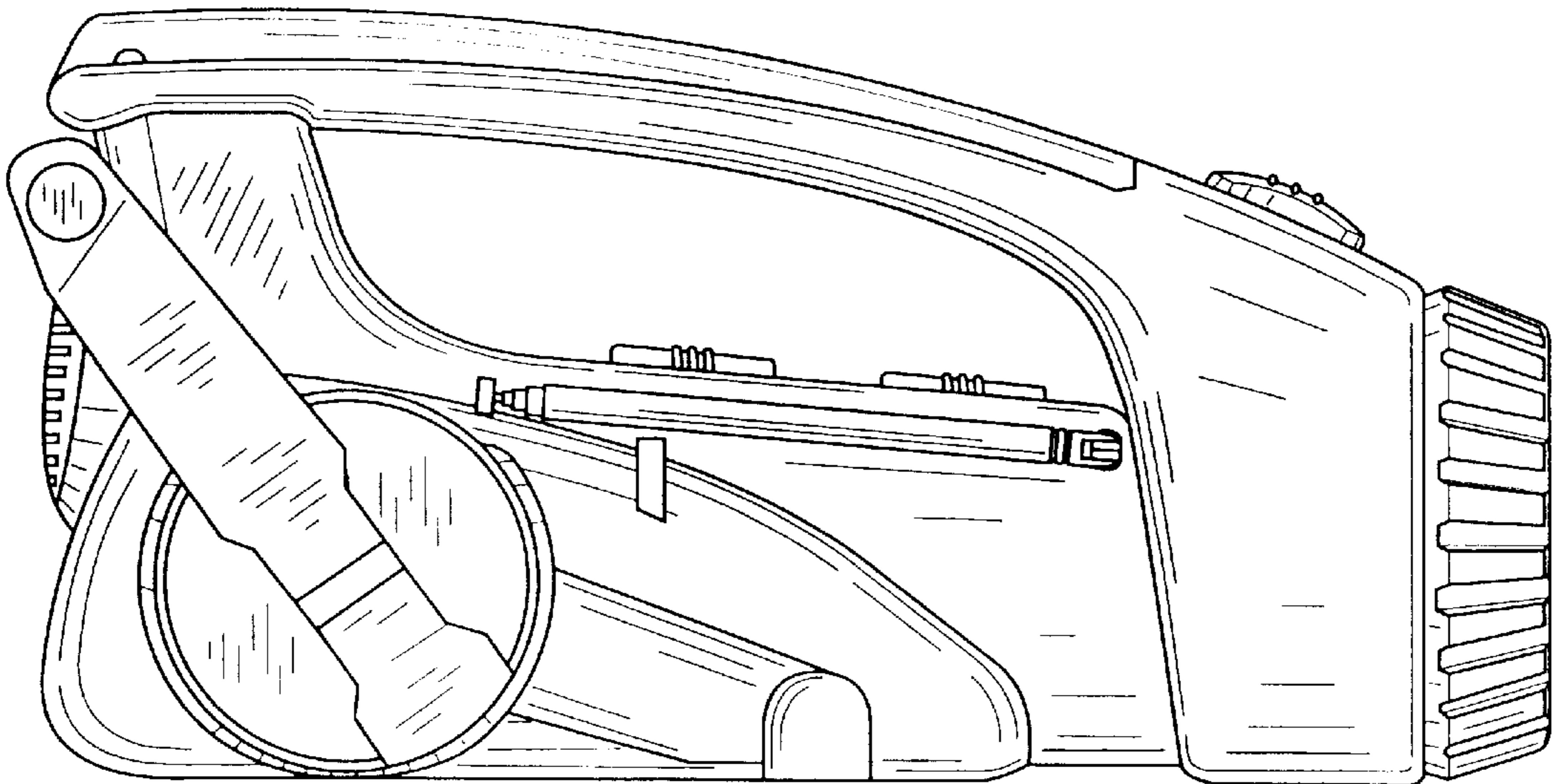


FIG. 10