



US00D426658S

United States Patent [19] Yuen

[11] **Patent Number: Des. 426,658**

[45] **Date of Patent: ** Jun. 13, 2000**

[54] **SENSOR NIGHT LIGHT**

D. 291,125 7/1987 Fenne D26/26
D. 397,813 9/1998 Pun D26/26

[75] Inventor: **Se Kit Yuen**, Kwun Tong, The Hong Kong Special Administrative Region of the People's Republic of China

OTHER PUBLICATIONS

Hong Kong Enterprise, Feb. 1996, p. 419, night light, top, right.

[73] Assignee: **John Manufacturing Limited**, Kowloon, The Hong Kong Special Administrative Region of the People's Republic of China

Taiwan Lighting, Nov. 1997, p. 301, emergency light.

Primary Examiner—Susan J. Lucas
Attorney, Agent, or Firm—Merchant & Gould P.C.

[**] Term: **14 Years**

[57] CLAIM

[21] Appl. No.: **29/101,698**

The ornamental design for a sensor night light, as shown and described.

[22] Filed: **Mar. 9, 1999**

DESCRIPTION

[51] **LOC (7) Cl.** **26-05**

FIG. 1 is a front elevational view of an embodiment of a sensor night light showing my new design;

[52] **U.S. Cl.** **D26/26**

FIG. 2 is a rear elevational view thereof;

[58] **Field of Search** D26/26, 85; 362/226, 362/147

FIG. 3 is a left side elevational view thereof;

FIG. 4 is a right side elevational view thereof;

FIG. 5 is a top plan view thereof; and,

FIG. 6 is a bottom plan view thereof.

[56] References Cited

U.S. PATENT DOCUMENTS

D. 288,967 3/1987 Naft D26/26

1 Claim, 2 Drawing Sheets

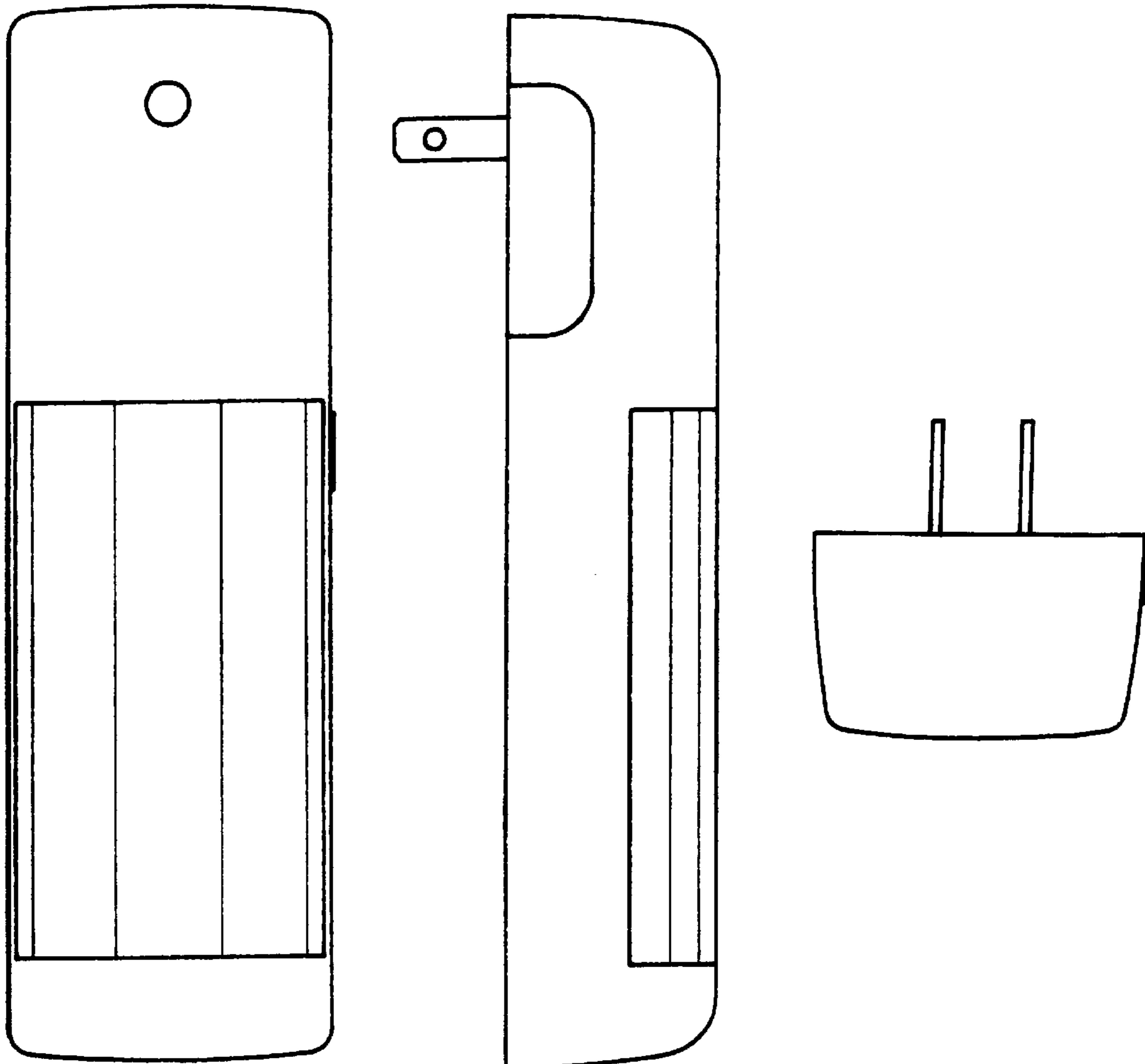


FIG. 4

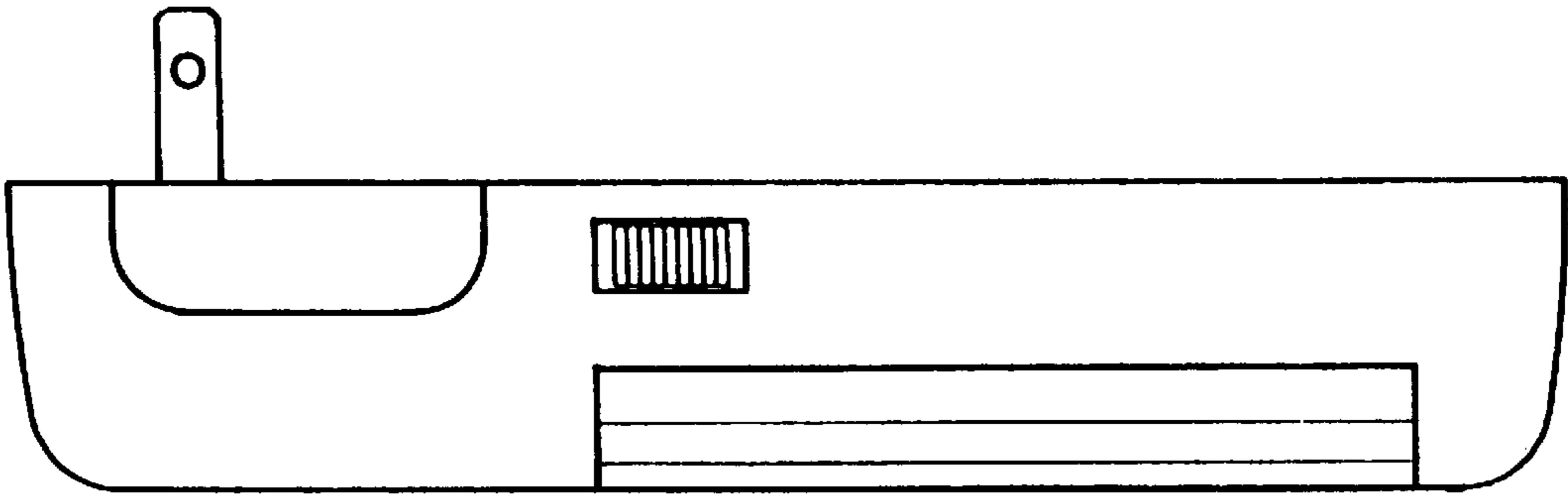


FIG. 3

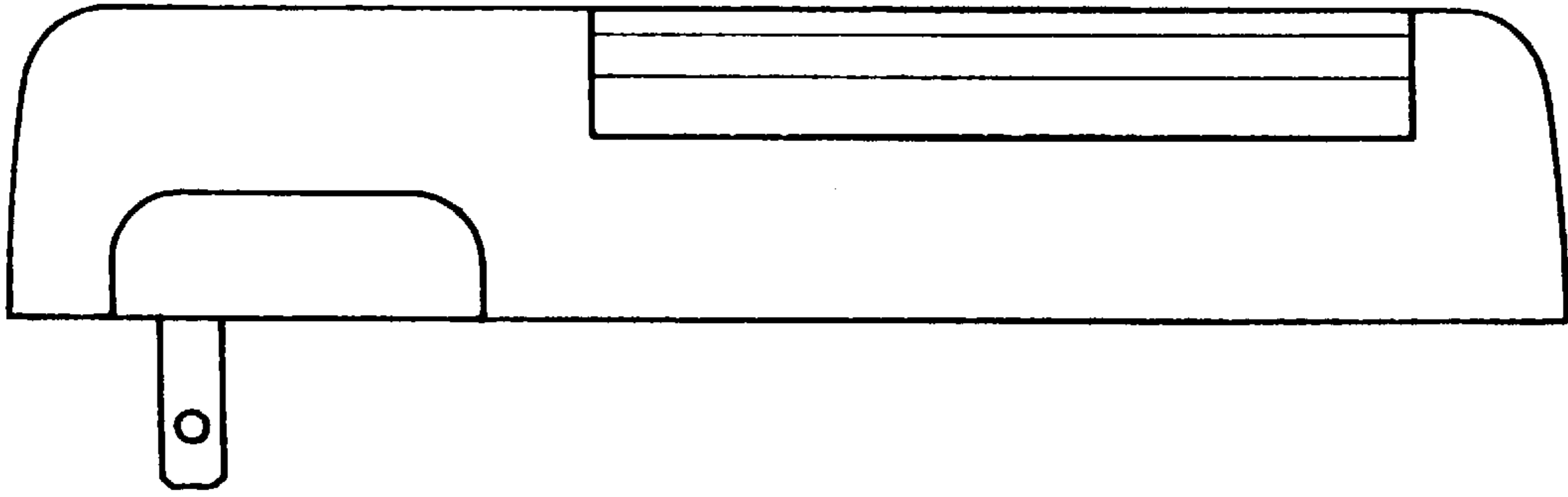


FIG. 2

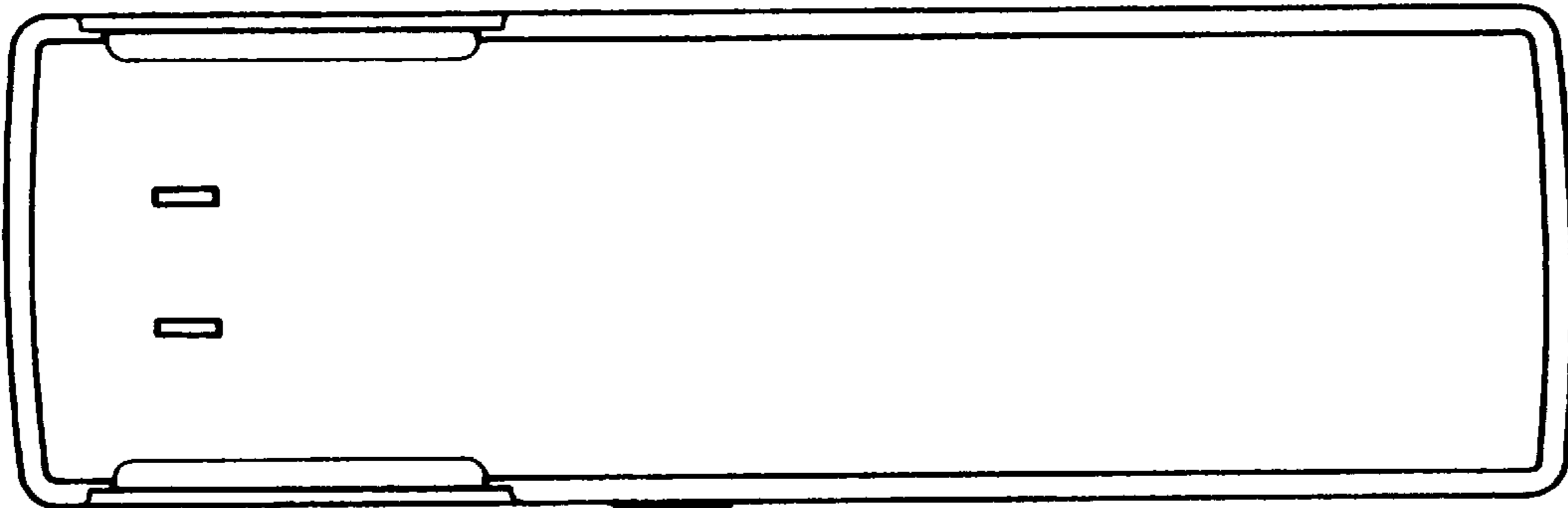


FIG. 1

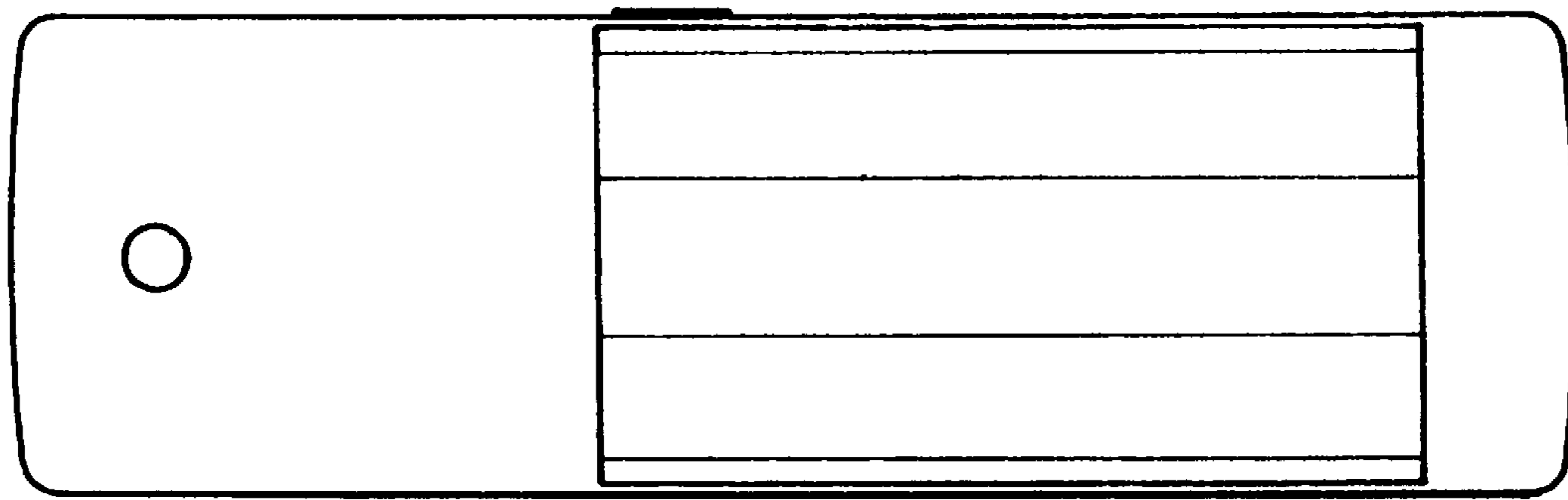


FIG. 6

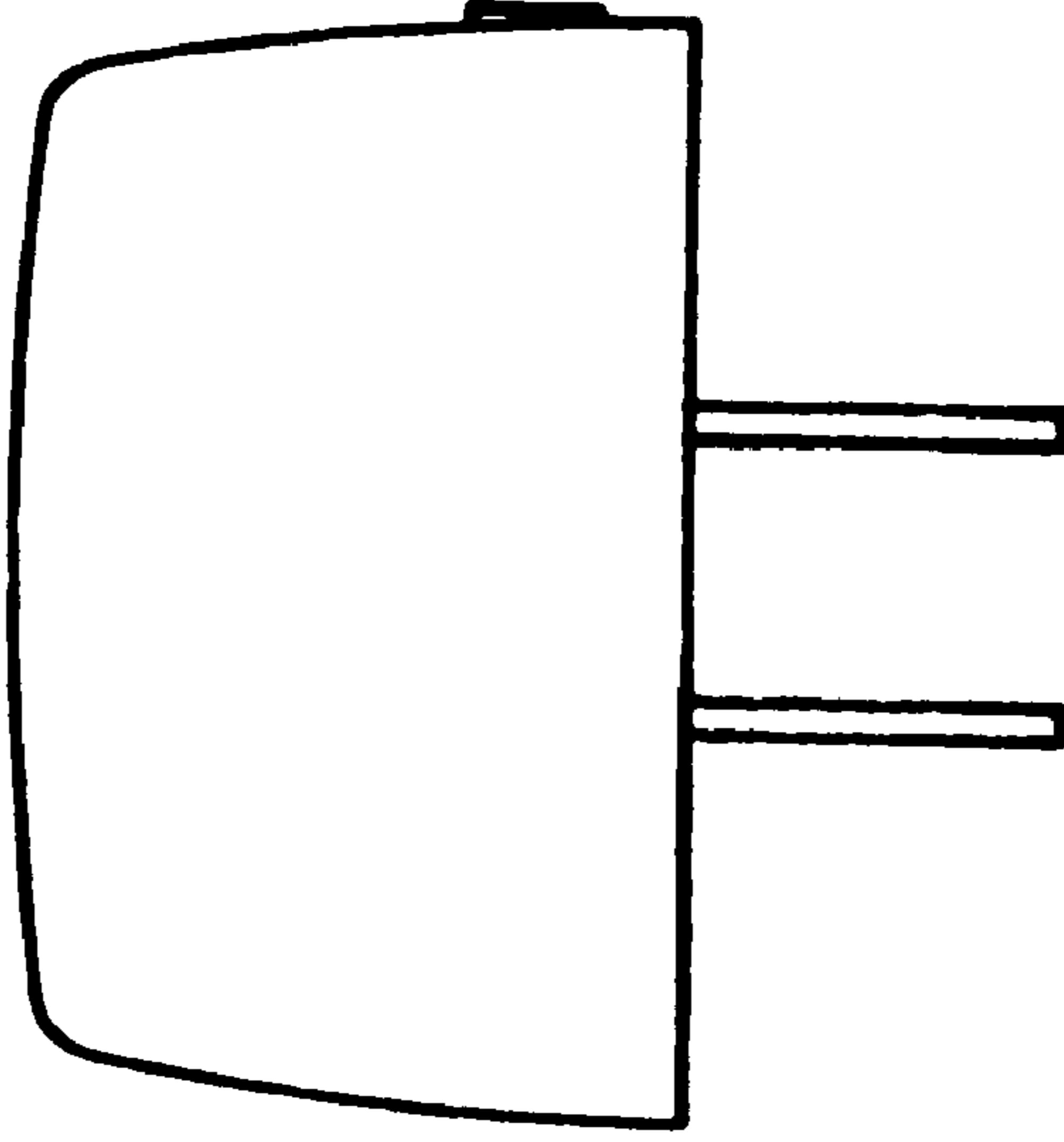


FIG. 5

