



US00D426652S

United States Patent [19]
Ho

[11] **Patent Number: Des. 426,652**
[45] **Date of Patent: ** Jun. 13, 2000**

[54] **ENERGY SAVING LAMP**

[75] **Inventor: Wing Yuk Ho**, N.T., The Hong Kong Special Administrative Region of the People's Republic of China

[73] **Assignee: Mei Ah Lighting Industrial Limited**, Fotan, The Hong Kong Special Administrative Region of the People's Republic of China

[**] **Term: 14 Years**

[21] **Appl. No.: 29/112,562**

[22] **Filed: Oct. 20, 1999**

[51] **LOC (7) Cl. 26-04**

[52] **U.S. Cl. D26/2**

[58] **Field of Search D26/1, 2, 3, 4, D26/26; 313/313, 315, 317, 318, 493; 315/52, 53, 56, 57; 362/216**

[56] **References Cited**

U.S. PATENT DOCUMENTS

- D. 321,404 11/1991 Falini D26/2
- D. 411,890 2/1999 Kato et al. D26/2
- D. 412,212 7/1999 Kato et al. D26/3

Primary Examiner—Marcus A. Jackson
Attorney, Agent, or Firm—Rabin & Champagne, P.C.

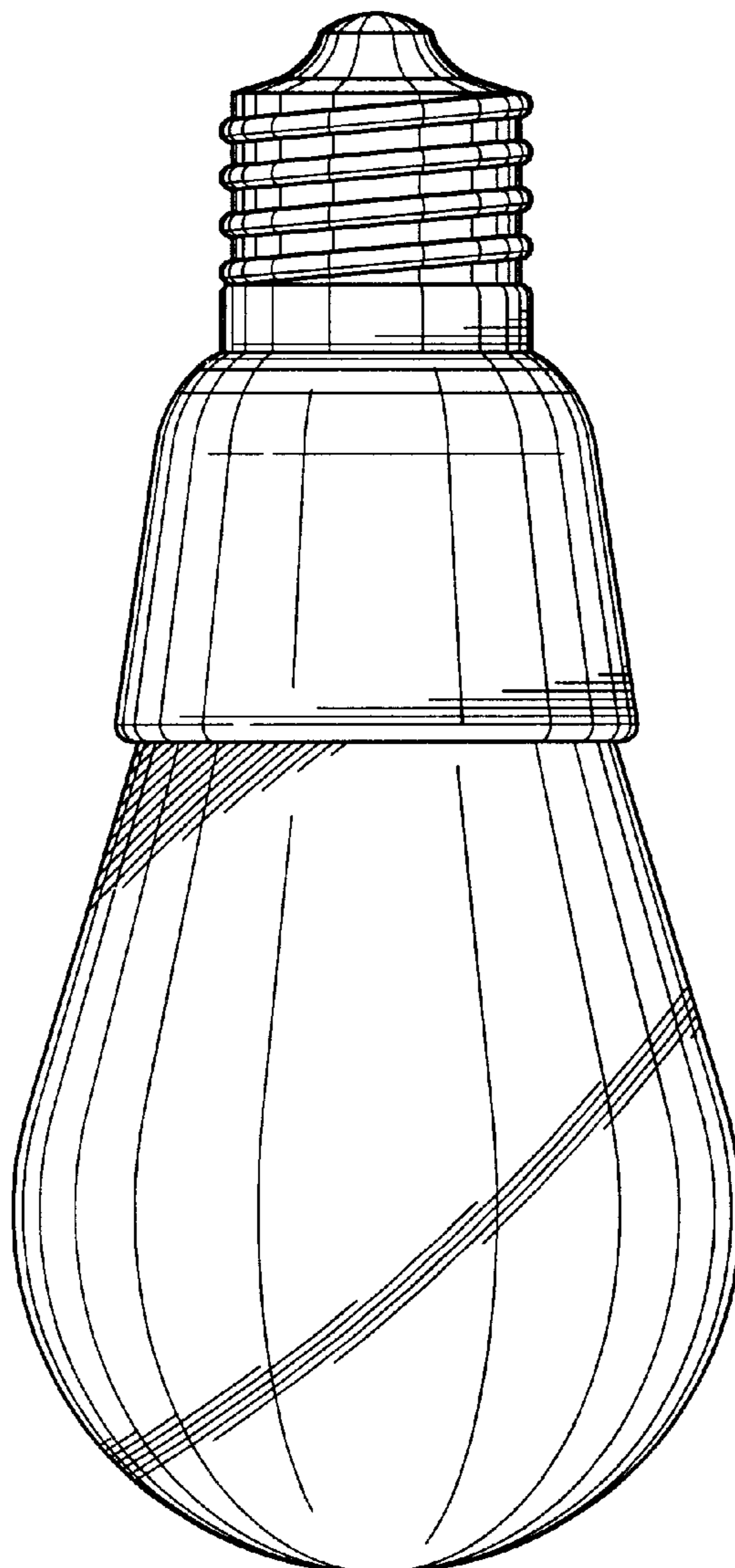
[57] **CLAIM**

The ornamental design for an energy saving lamp, as shown and described.

DESCRIPTION

FIG. 1 is a front view thereof; the rear view, left side view and right side view are the same as the front view; FIG. 2 is a top view thereof; and, FIG. 3 is a bottom view thereof.

1 Claim, 1 Drawing Sheet



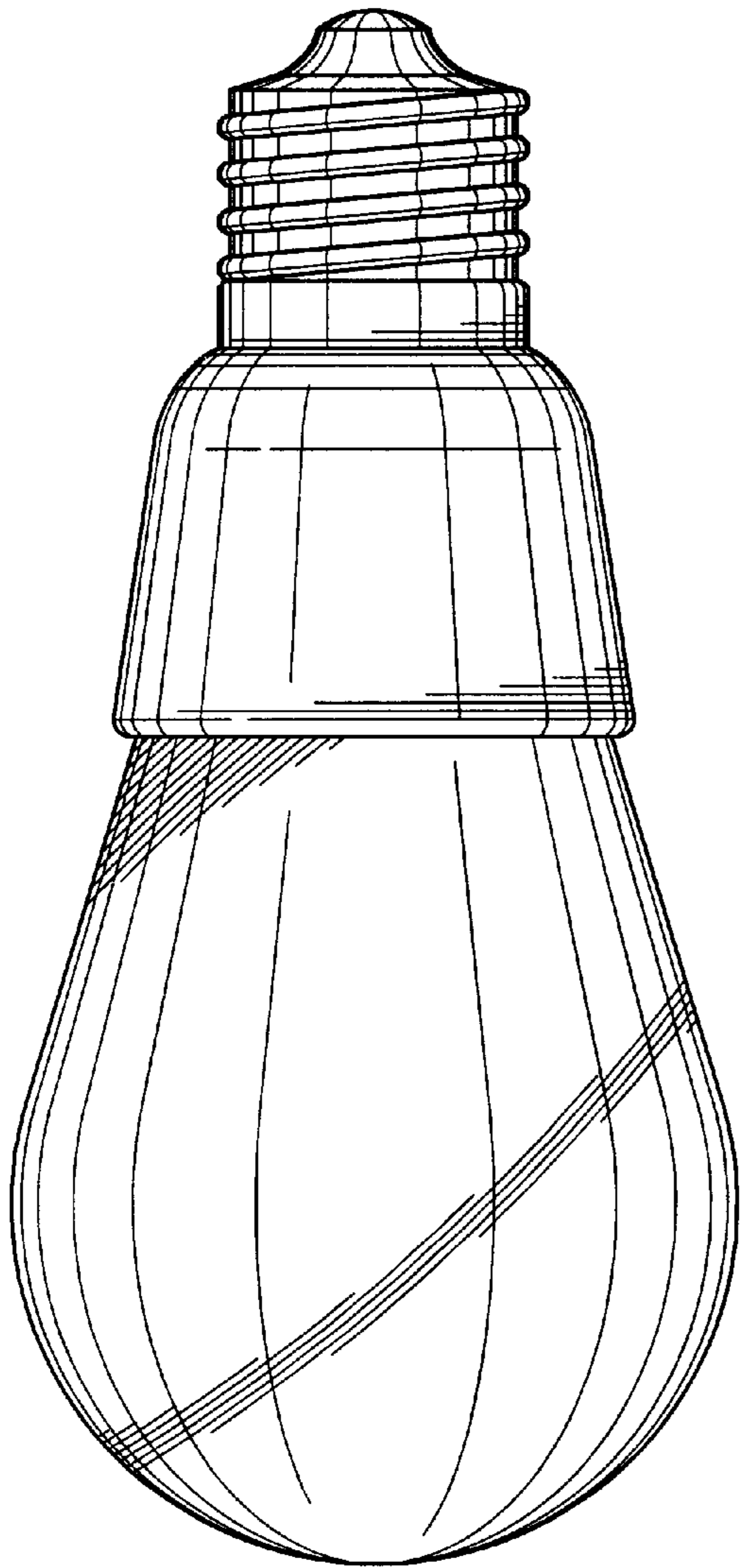


FIG. 1

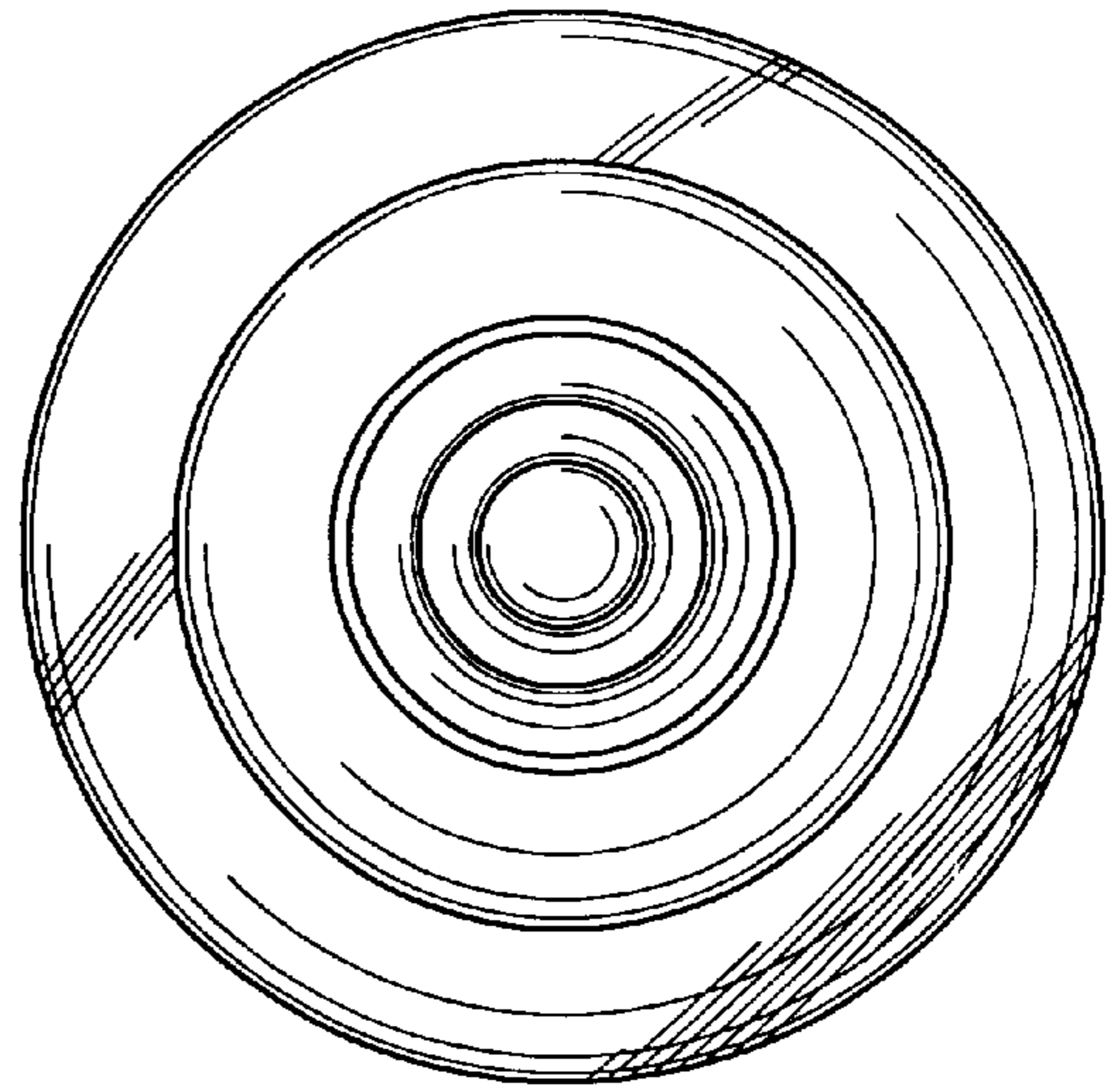


FIG. 2

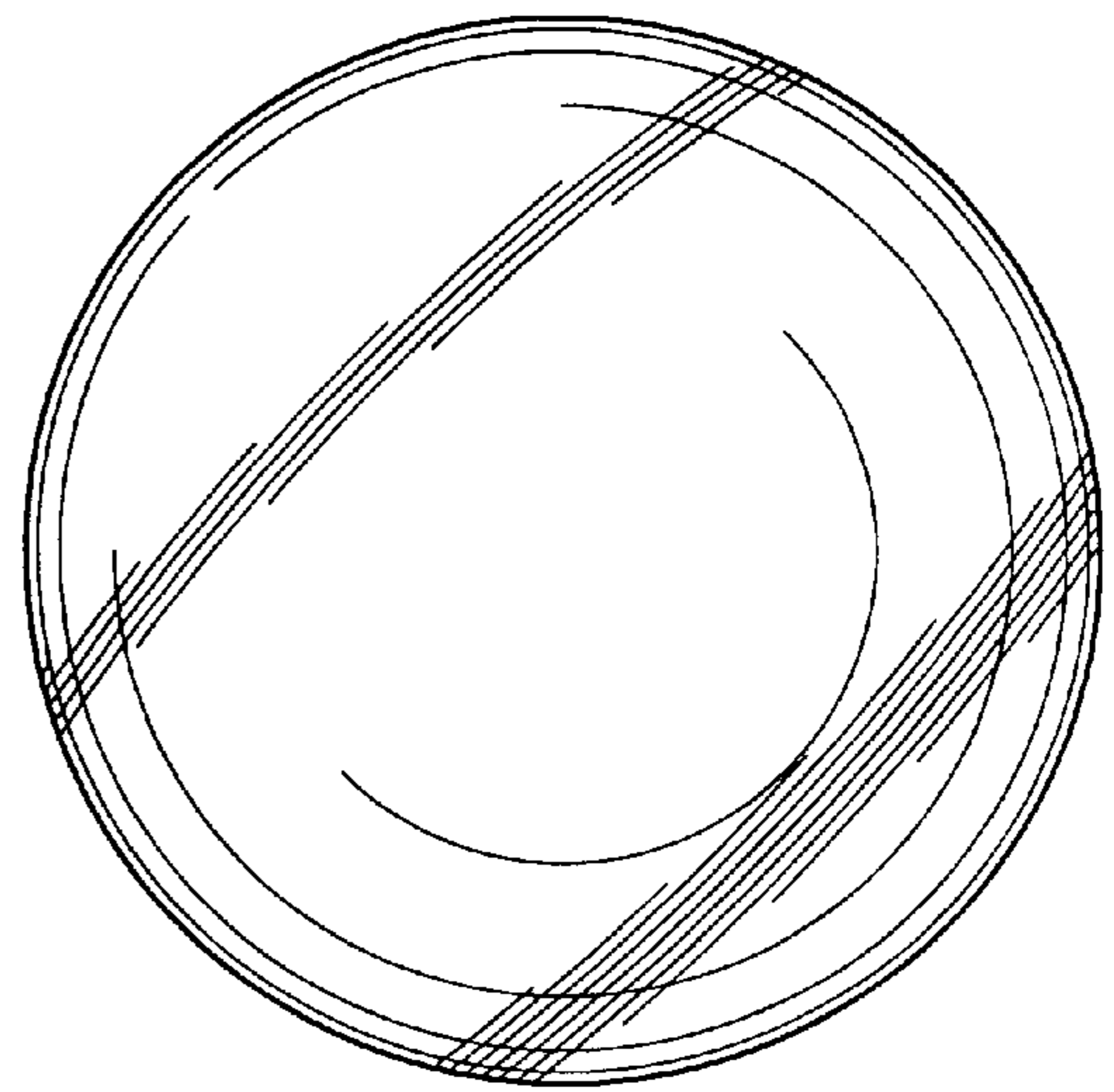


FIG. 3