



US00D426647S

United States Patent [19] Pekin

[11] Patent Number: **Des. 426,647**

[45] Date of Patent: **** Jun. 13, 2000**

[54] **EARTHQUAKE-RESISTANT AND ABSORPTION 3-POST BRIDGE AND BUILDING SUPPORT**

3,662,656 5/1972 Finsterwalder et al. 14/75
3,979,787 9/1976 Ahlgren 14/75

[76] Inventor: **Orhan Pekin**, P. O. Box 8938, La Jolla, Calif. 92038

Primary Examiner—Doris Clark
Attorney, Agent, or Firm—Frank G. Morkunas

[**] Term: **14 Years**

[57] **CLAIM**

[21] Appl. No.: **29/102,742**

I claim the ornamental design for the earthquake-resistant and absorption 3-post bridge and building support, as shown and described.

[22] Filed: **Mar. 30, 1999**

DESCRIPTION

[51] **LOC (7) Cl.** **25-04**

FIG. 1 is a perspective plan view of the bridge and building support;

[52] **U.S. Cl.** **D25/62**

FIG. 2 is a top plan view thereof;

[58] **Field of Search** D25/61, 56, 62,

FIG. 3 is a bottom plan view thereof;

D25/1; 248/215, 163.1, 188.1, 431; 52/167.1, 167.3, 167.4; 14/3.13, 77.1, 77.3, 14, 75, 73.5

FIG. 4 is an elevation view of one side thereof, the other two sides being the same;

[56] **References Cited**

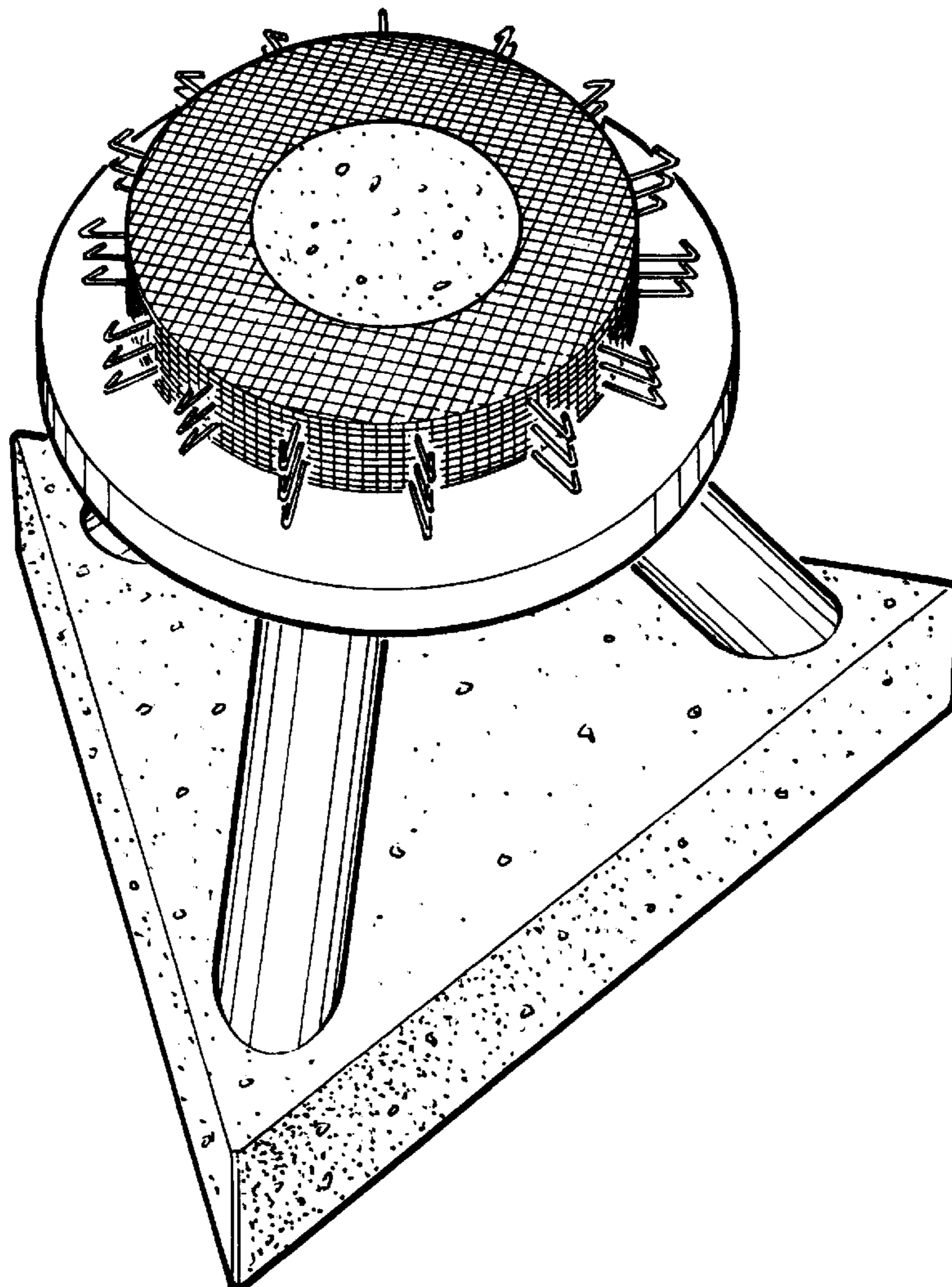
FIG. 5 is an elevation view of one corner thereof, the other corners being the same; and,

U.S. PATENT DOCUMENTS

FIG. 6 is an enlarged detailed side view of one set of rods on the top section thereof, the other sets being the same.

D. 312,314 11/1990 Harris D25/62
D. 405,541 2/1999 Pekin D25/62

1 Claim, 3 Drawing Sheets



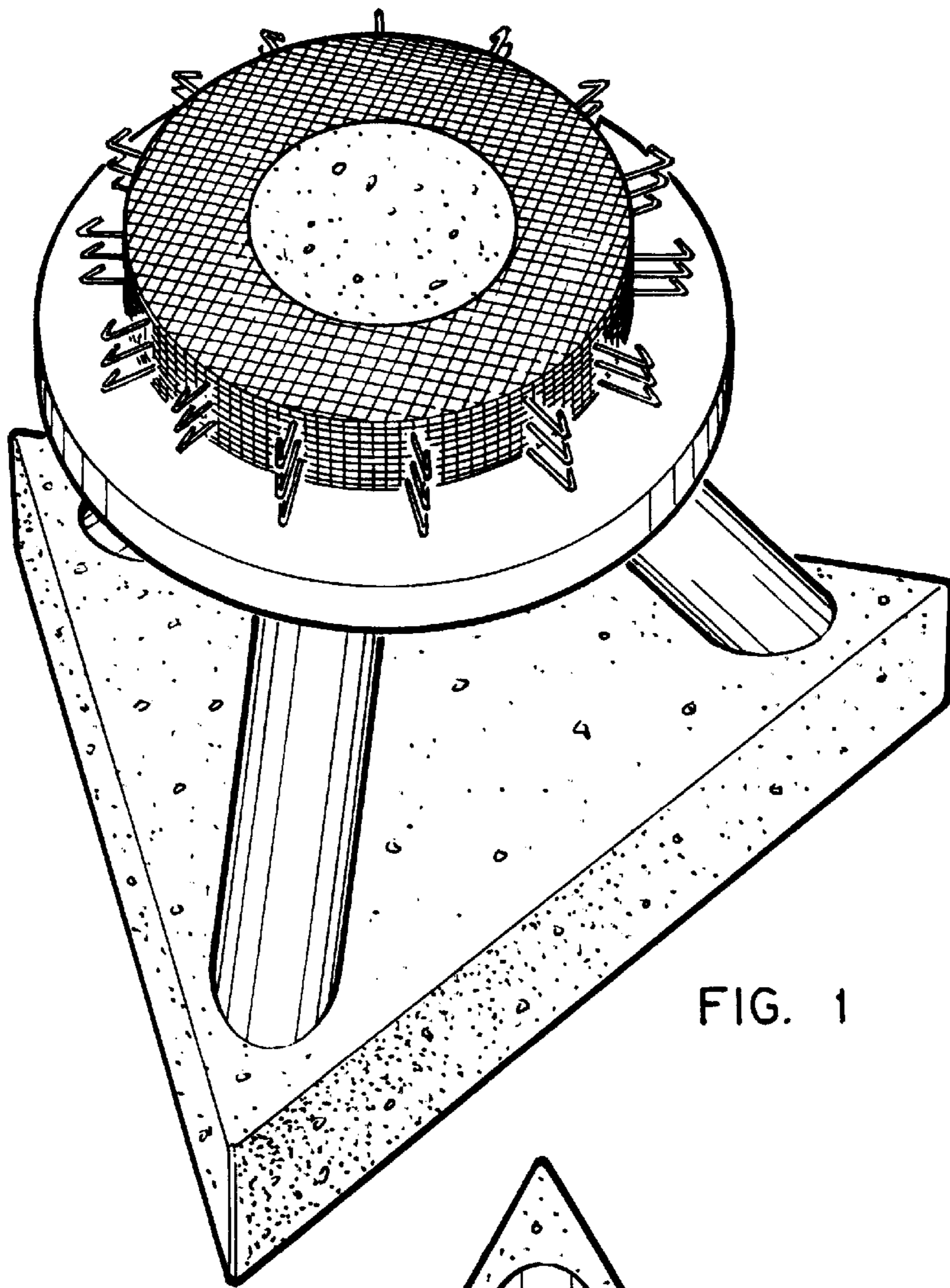


FIG. 1

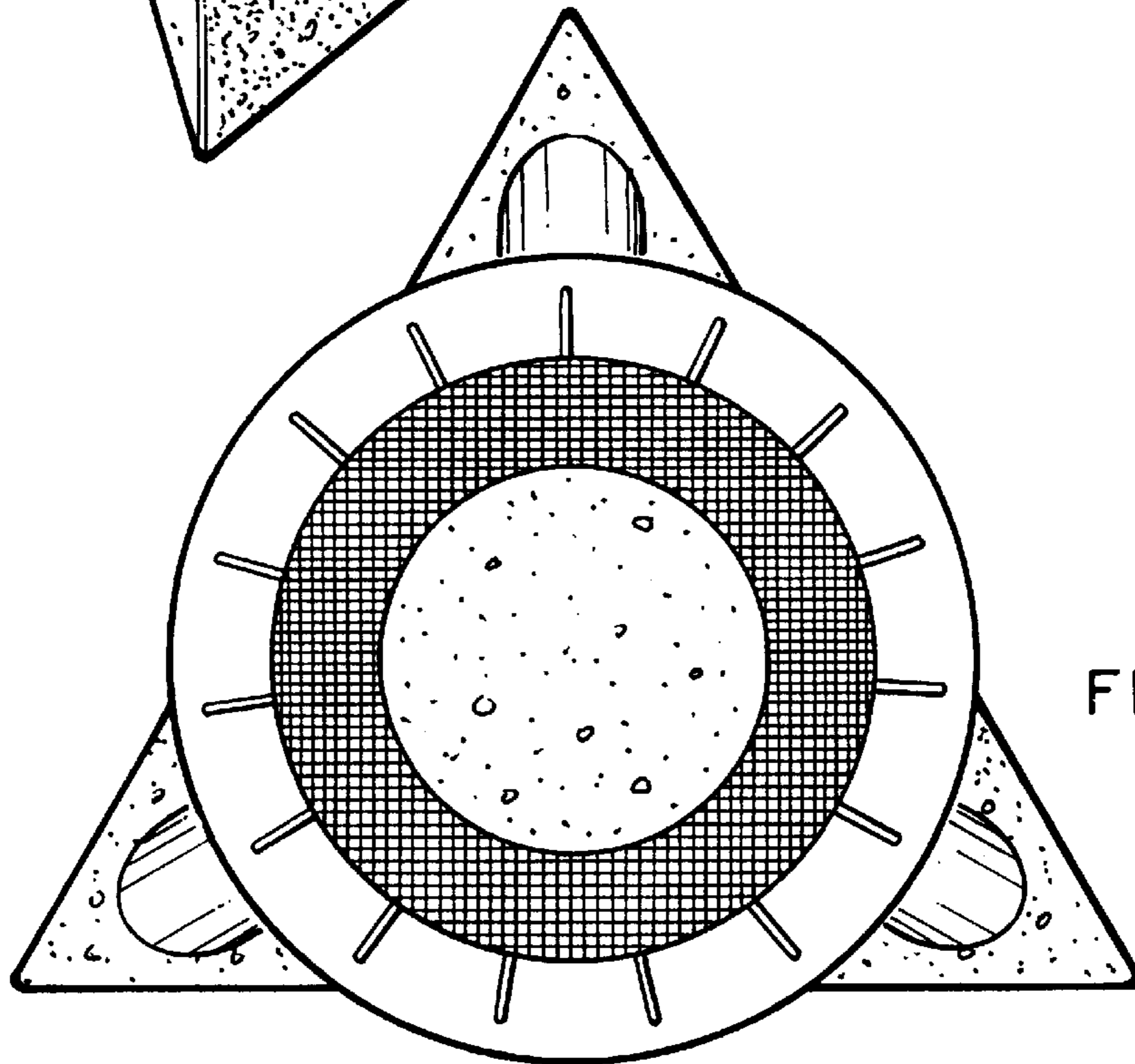


FIG. 2

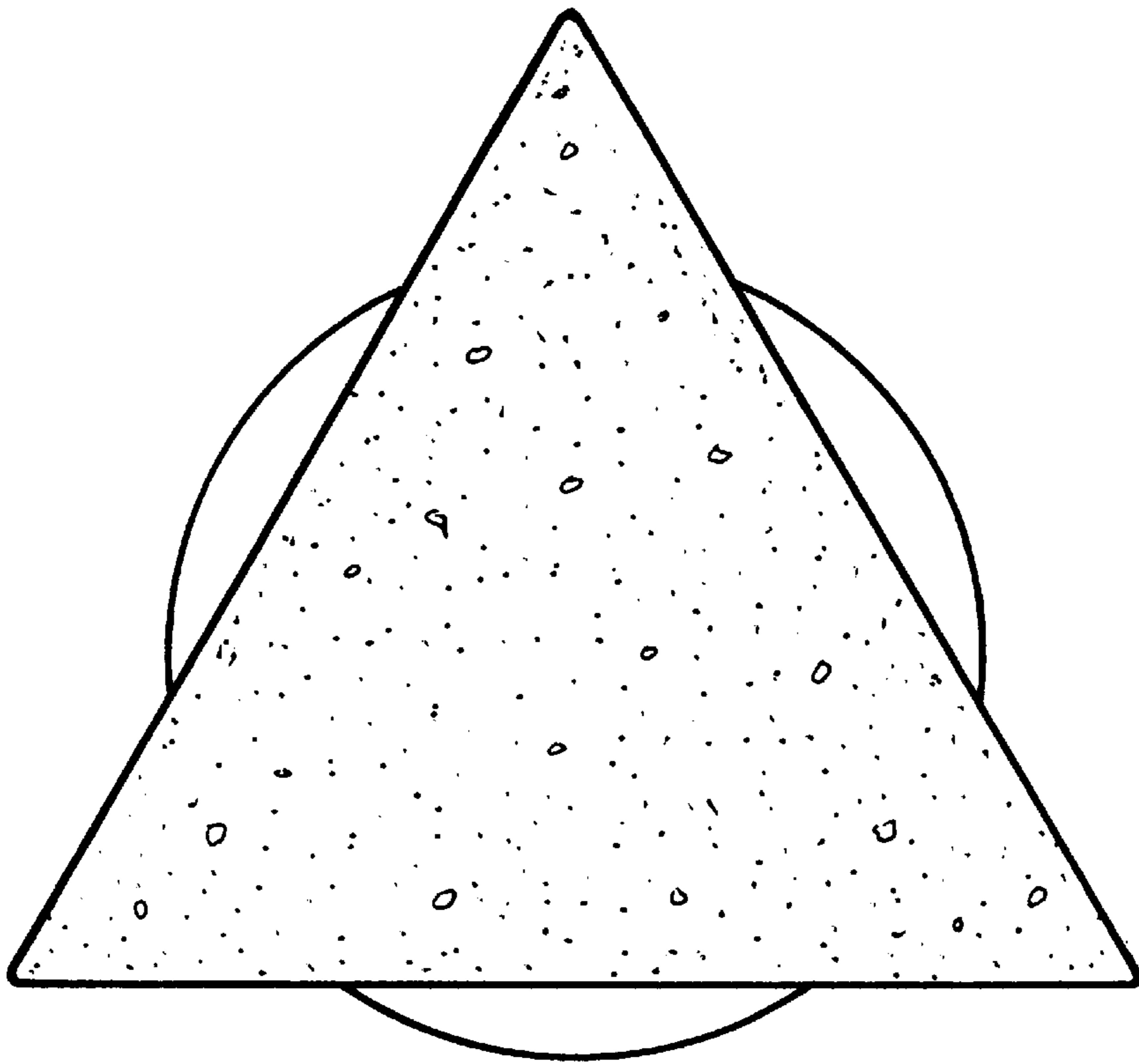


FIG. 3

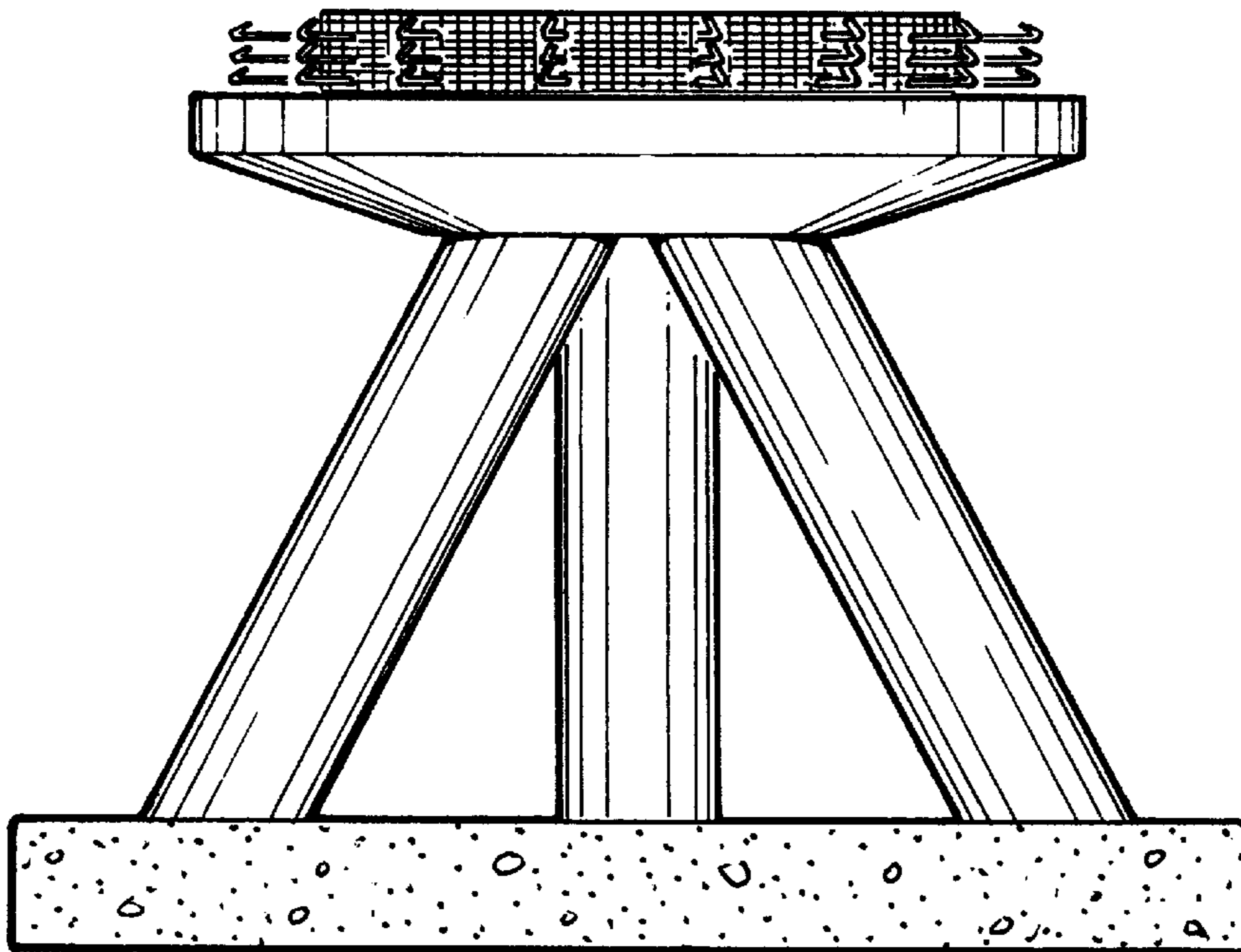


FIG. 4

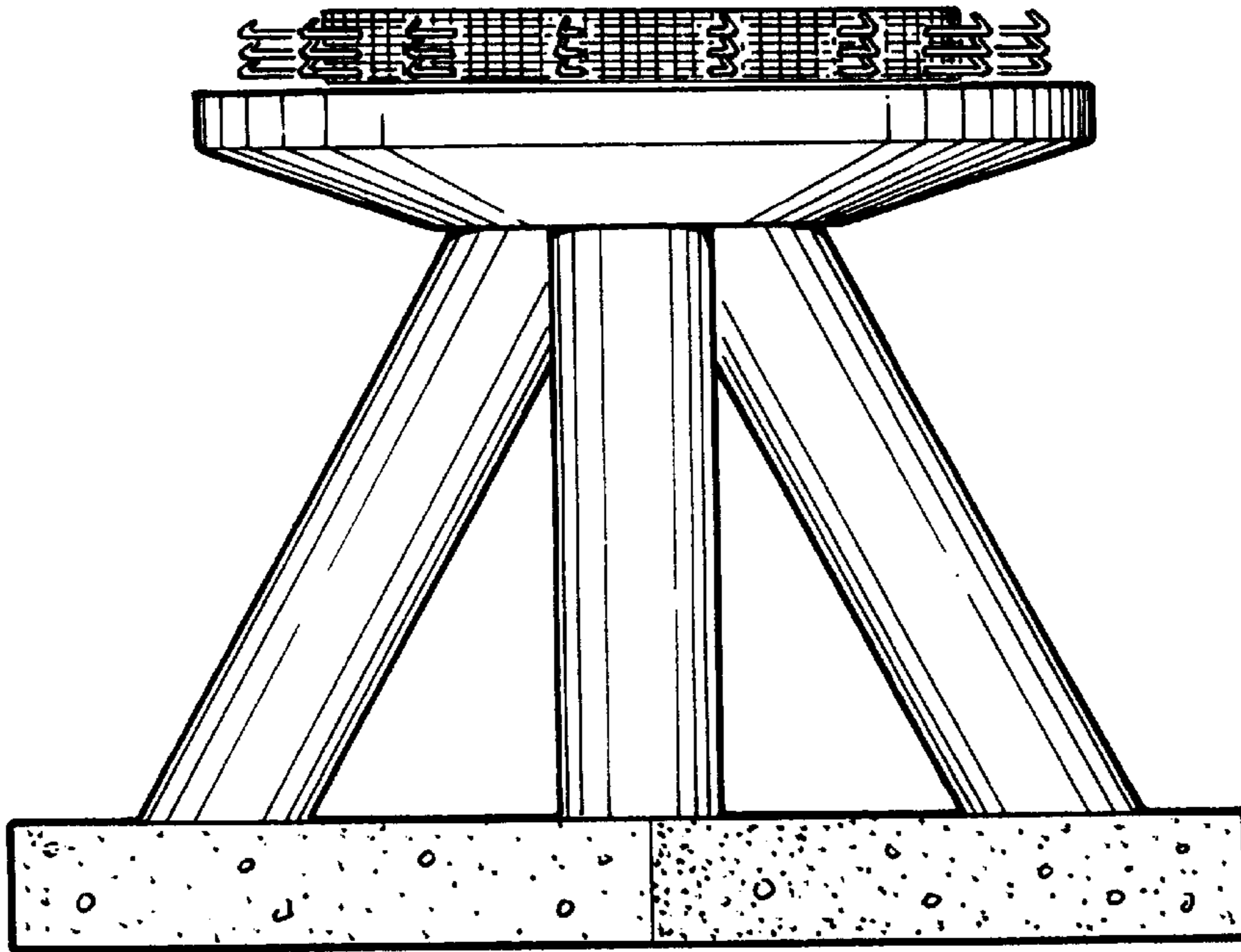


FIG. 5

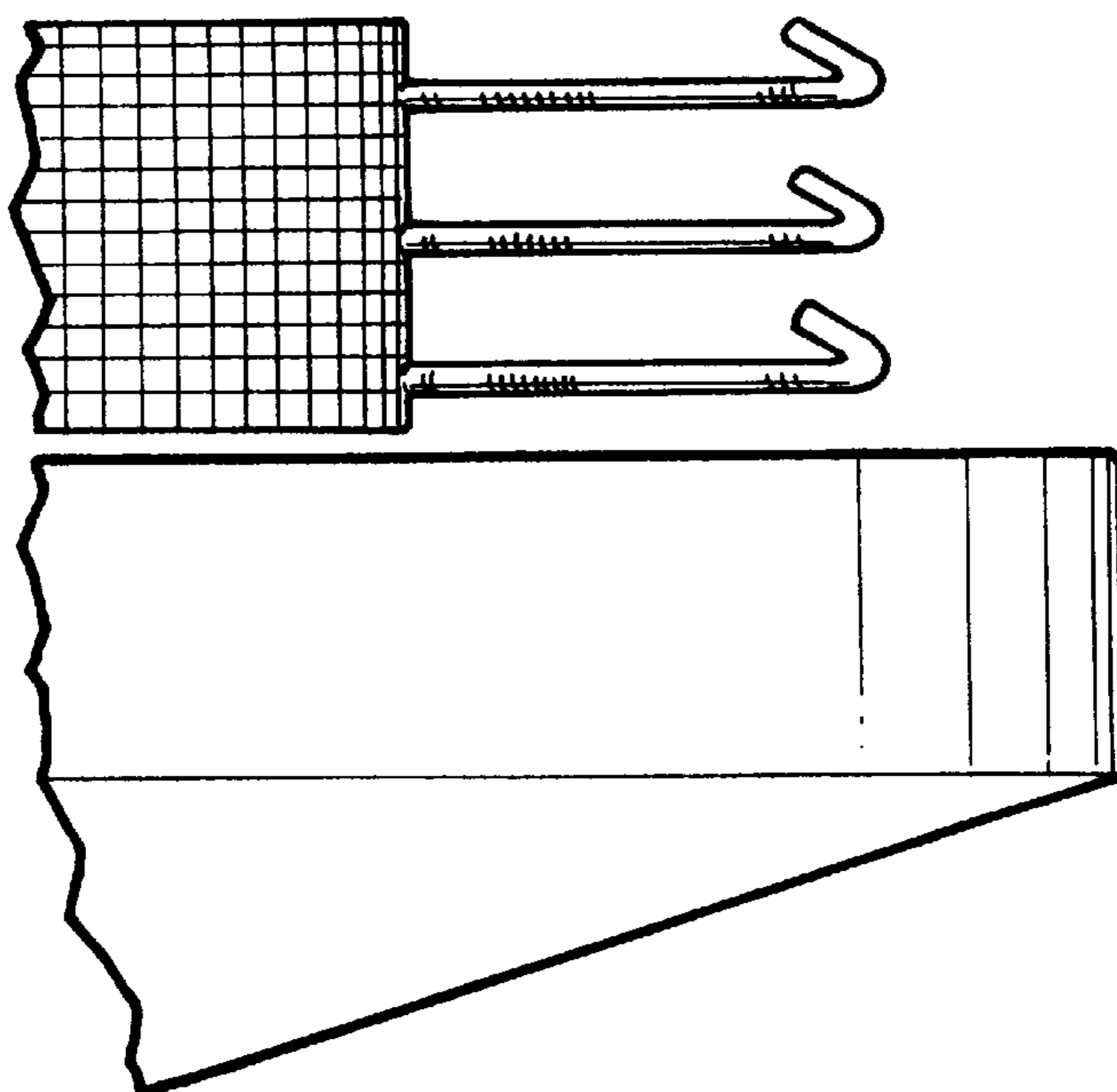


FIG. 6