



US00D426646S

United States Patent [19]
Monaghan et al.

[11] **Patent Number: Des. 426,646**

[45] **Date of Patent: ** Jun. 13, 2000**

[54] **STOREFRONT**

[75] Inventors: **Thomas S. Monaghan**, Ann Arbor, Mich.; **Kraig M. Kessel**, San Fransisco, Calif.

[73] Assignee: **Domino's Pizza, Inc.**, Ann Arbor, Mich.

[**] Term: **14 Years**

[21] Appl. No.: **29/099,398**

[22] Filed: **Jan. 20, 1999**

[51] **LOC (7) Cl.** **25-02**

[52] **U.S. Cl.** **D25/59**

[58] **Field of Search** D25/59; 52/79.1, 52/79.6, 36.1, 36.2; 434/171

[56] **References Cited**

U.S. PATENT DOCUMENTS

D. 375,170 10/1996 Rose et al. D25/59
1,756,099 4/1930 Osborn D25/59

Primary Examiner—Doris Clark

Attorney, Agent, or Firm—Dobrusin Darden Thennisch Law Firm PLLC

[57] **CLAIM**

The ornamental design for a storefront, as shown and described.

DESCRIPTION

FIG. 1 shows a front, right and top perspective view of a storefront incorporating our design.

FIG. 2 shows a front elevational view of the storefront shown in FIG. 1

FIG. 3 shows a rear elevational view of the storefront shown in FIG. 1.

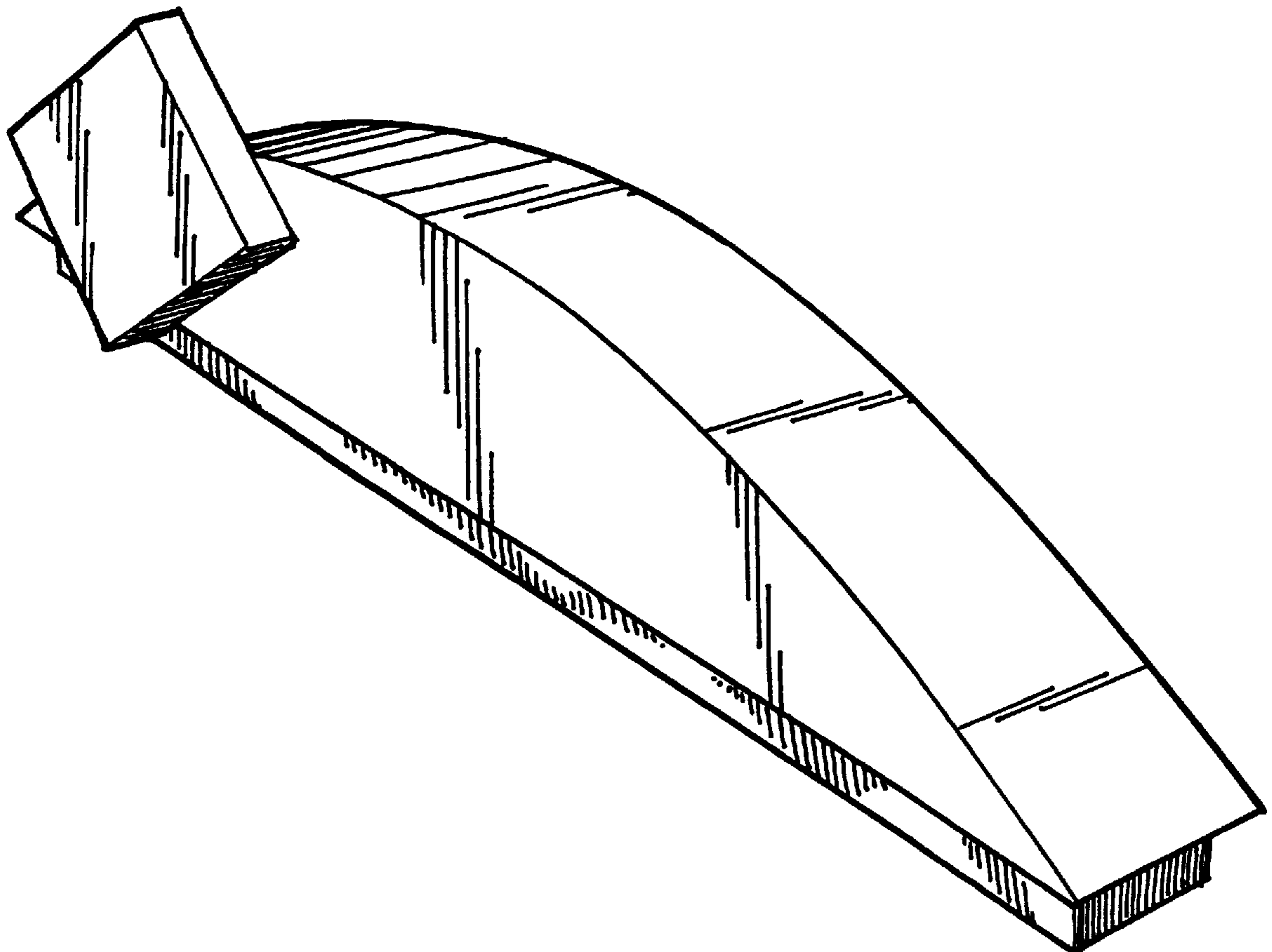
FIG. 4 shows a left side elevational view of the storefront shown in FIG. 1.

FIG. 5 shows a right side elevational view of the storefront shown in FIG. 1.

FIG. 6 shows a top plan view of the storefront shown in FIG. 1; and,

FIG. 7 shows a bottom plan view of the storefront shown in FIG. 1.

1 Claim, 2 Drawing Sheets



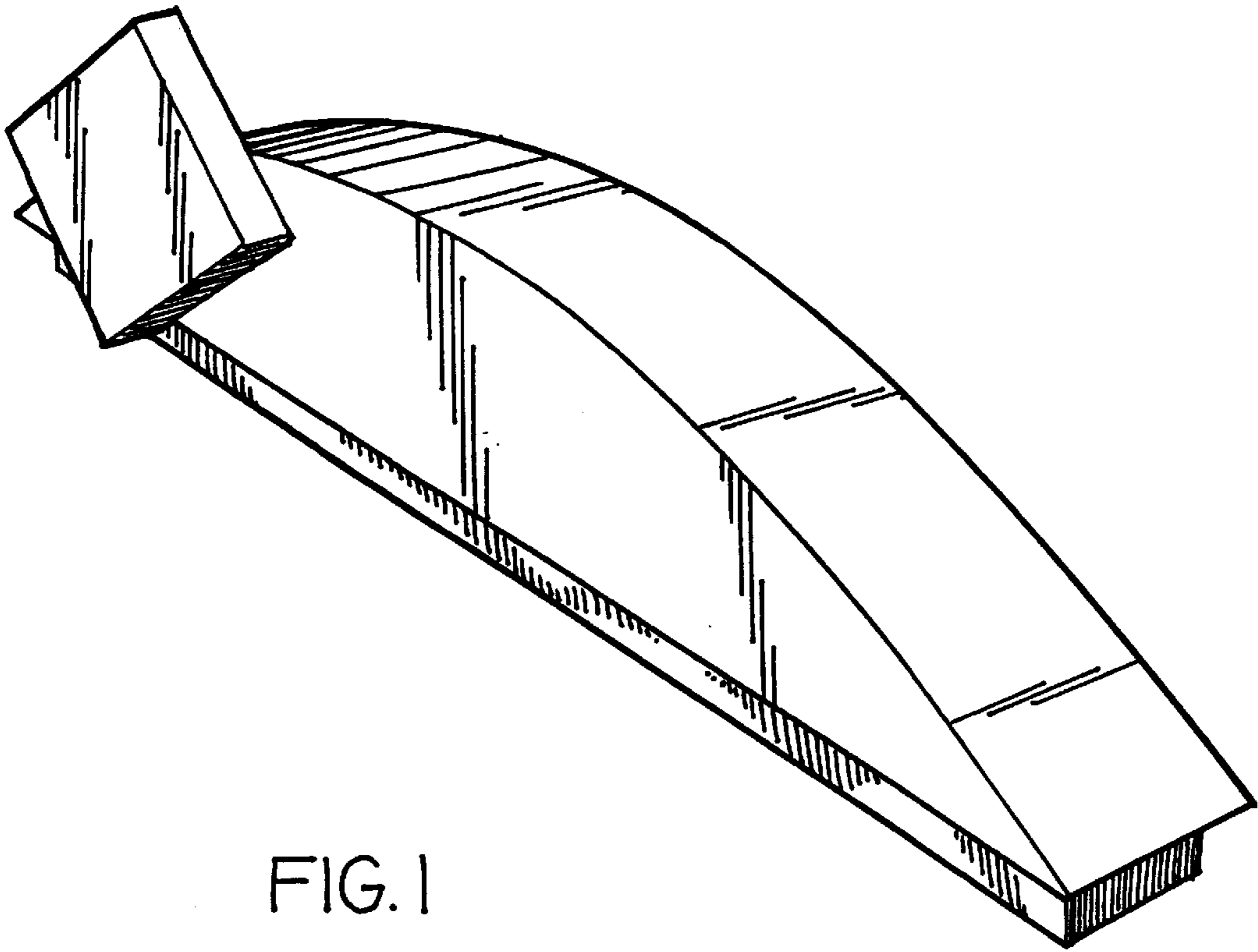


FIG. 1

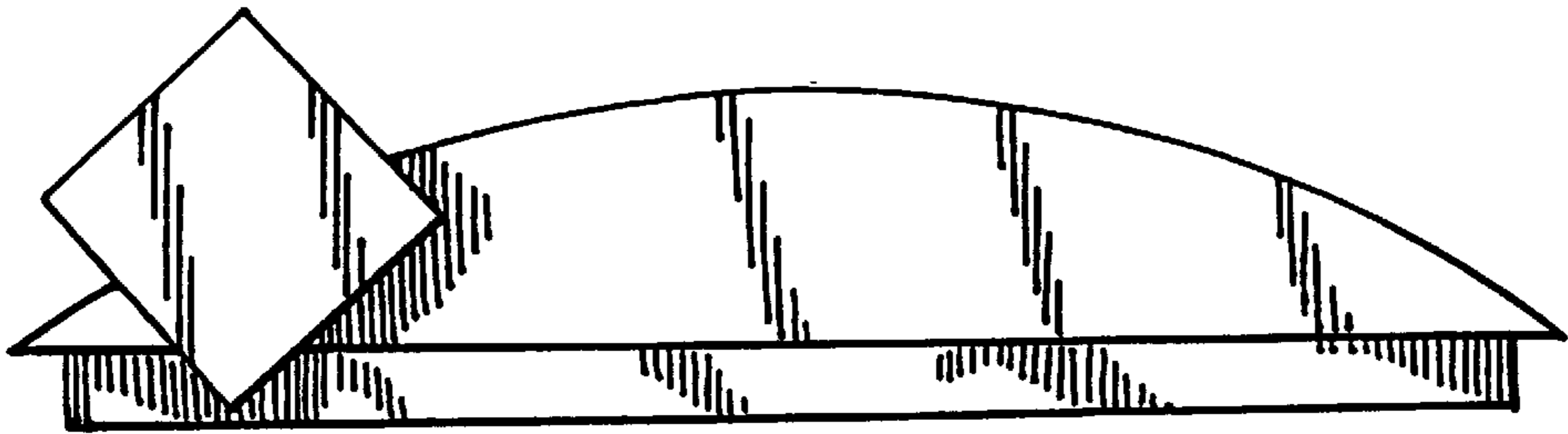


FIG. 2

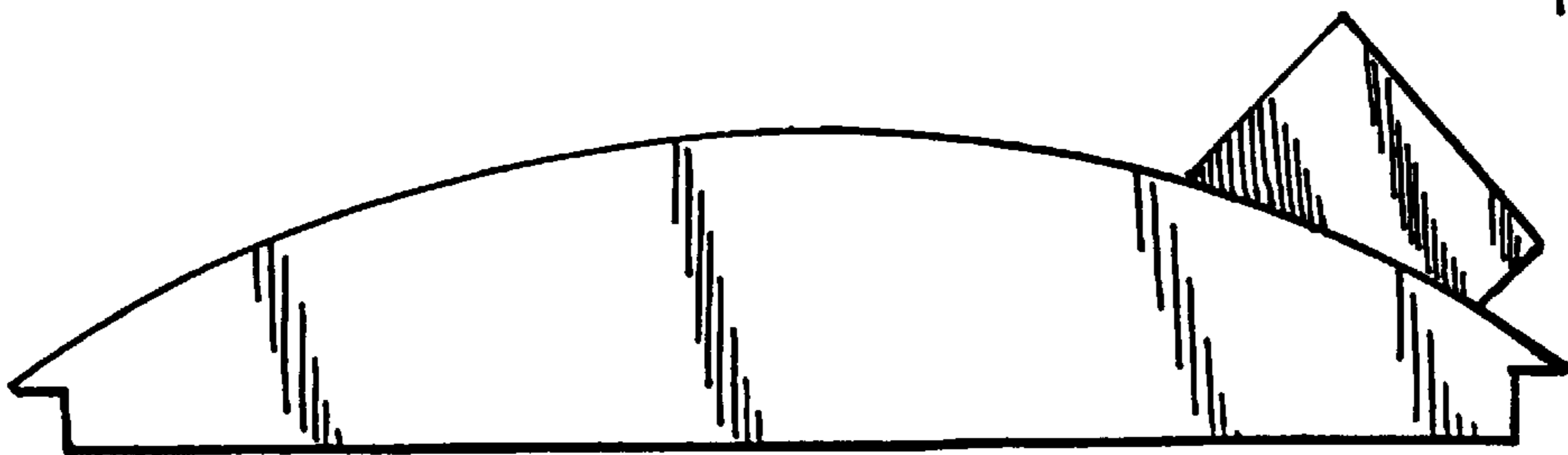


FIG. 3

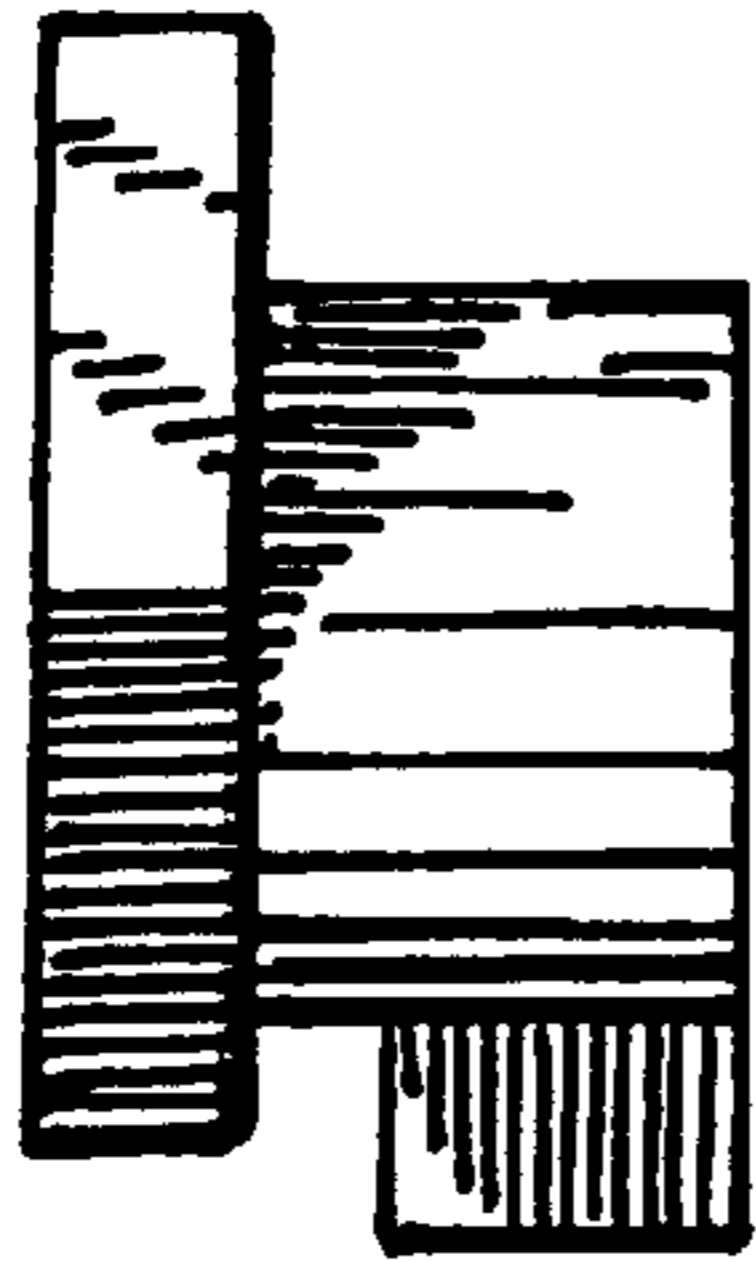


FIG. 4

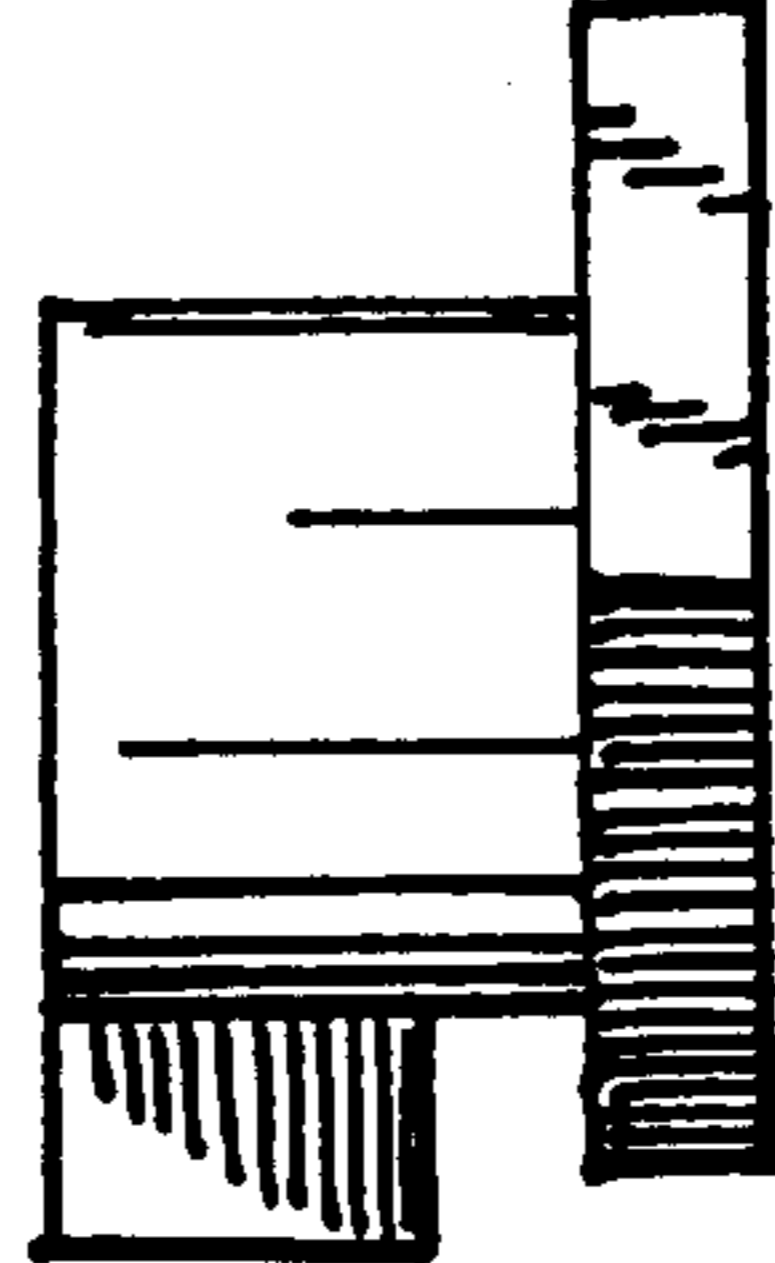


FIG. 5

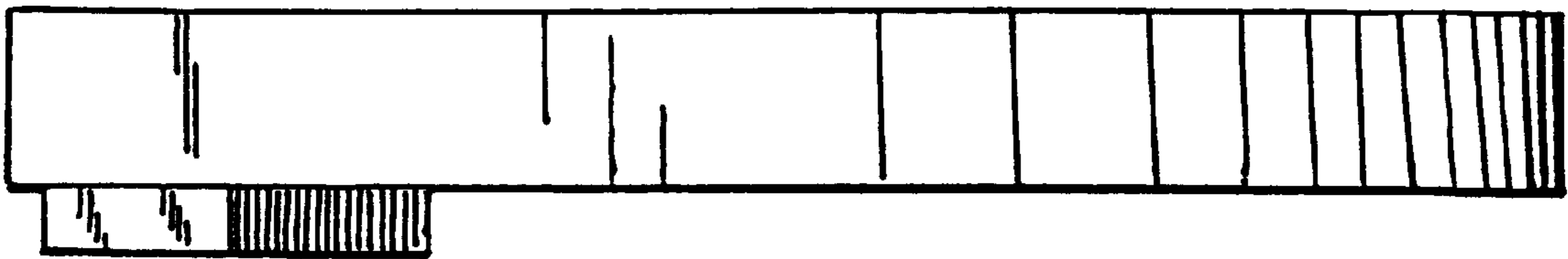


FIG. 6

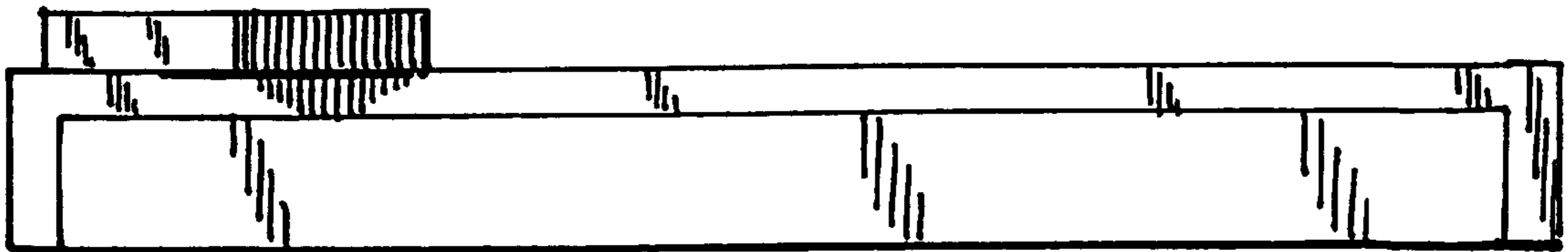


FIG. 7