



US00D426642S

United States Patent [19]

[11] **Patent Number: Des. 426,642**

Rainin et al.

[45] **Date of Patent: ** Jun. 13, 2000**

[54] **ELECTRONIC PIPETTE**

[75] Inventors: **Kenneth Rainin**, Piedmont;
Christopher Kelly, Larkspur; **James S. Petrek**, Danville, all of Calif.

[73] Assignee: **Rainin Instrument Co., Inc.**,
Emeryville, Calif.

[**] Term: **14 Years**

[21] Appl. No.: **29/101,531**

[22] Filed: **Mar. 5, 1999**

[51] **LOC (7) Cl.** **24-02**

[52] **U.S. Cl.** **D24/222**

[58] **Field of Search** D24/222; 73/864.13,
73/864.16, 864.11, 864.14, 864.17, 864.18,
864.32, 863.33, 864.01, 864.02, 864.3;
422/100

[56] **References Cited**

U.S. PATENT DOCUMENTS

D. 375,798 11/1996 Boothby D24/222
4,567,780 2/1986 Oppenlander et al. 73/864.16

4,616,514 10/1986 Magnussen, Jr. et al. 73/864.14
5,084,241 1/1992 Parker 422/100
5,187,990 2/1993 T. et al. 73/864.18
5,614,153 3/1997 Homberg 422/100
5,849,248 12/1998 Homberg 422/100
5,998,218 12/1999 Conley et al. 73/864.16

Primary Examiner—Stella Reid
Assistant Examiner—I Simmons
Attorney, Agent, or Firm—Robert R. Meads

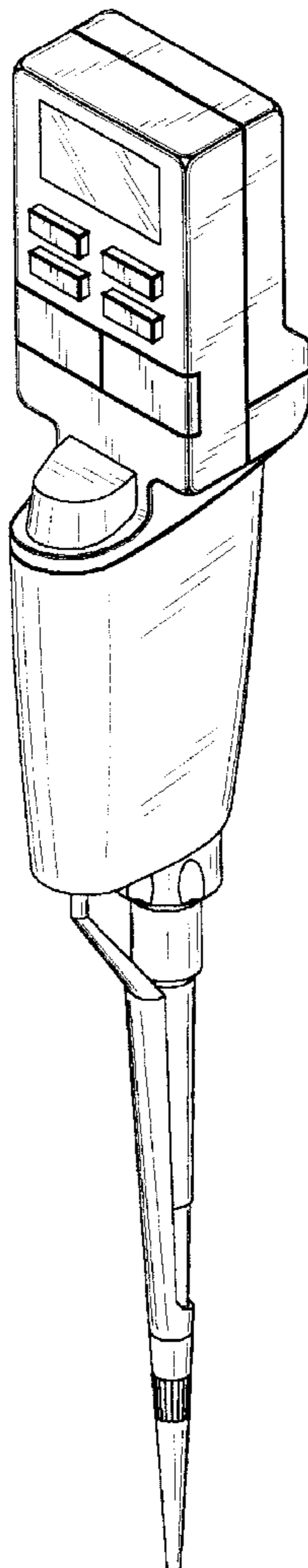
[57] **CLAIM**

We claim the ornamental design for an electronic pipette, as shown.

DESCRIPTION

FIG. 1 is a perspective view showing the right side and front of the electronic pipette.
FIG. 2 is a front view of the electronic pipette.
FIG. 3 is a back view of the electronic pipette.
FIG. 4 is a right side view of the electronic pipette.
FIG. 5 is a left side view of the electronic pipette.
FIG. 6 is a top view of the electronic pipette; and,
FIG. 7 is a bottom view of the electronic pipette.

1 Claim, 2 Drawing Sheets



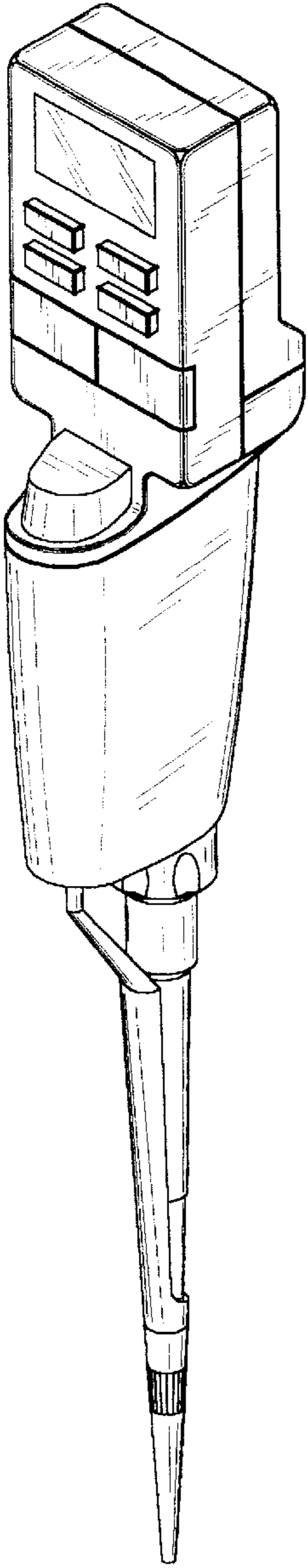


Fig. 1

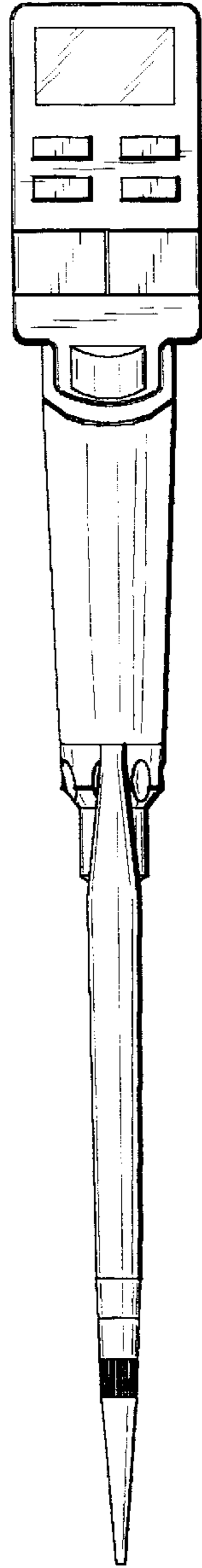


Fig. 2

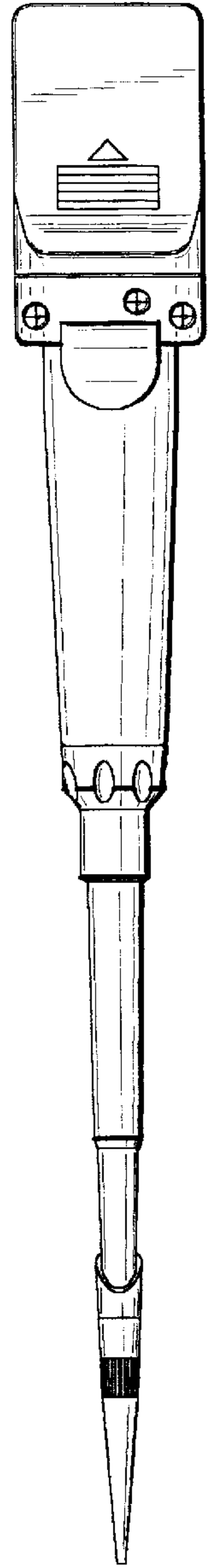


Fig. 3

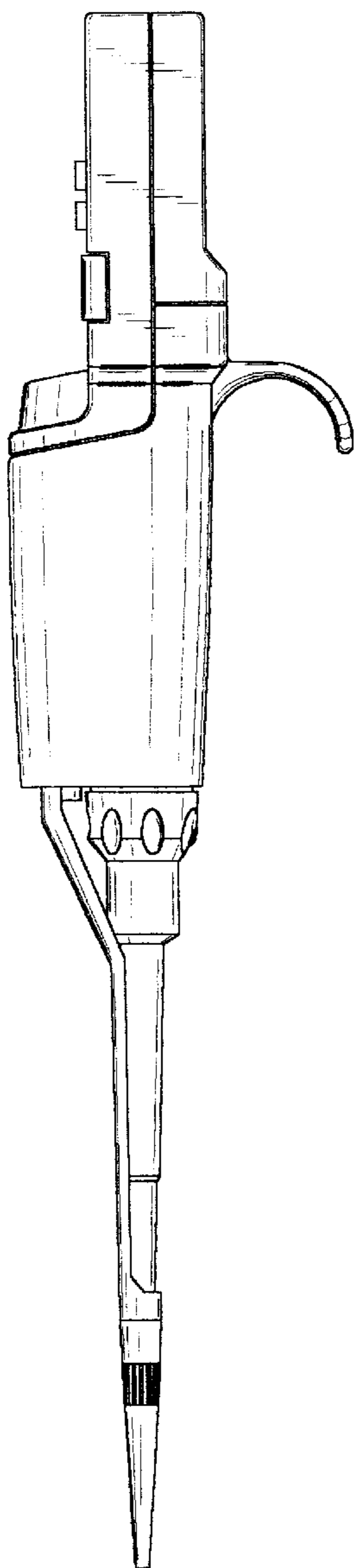


Fig. 4

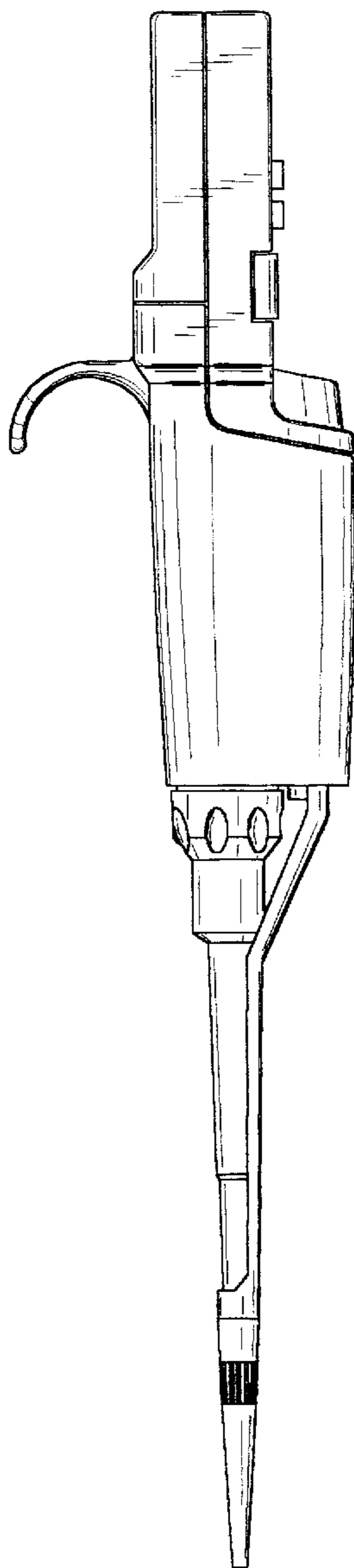


Fig. 5

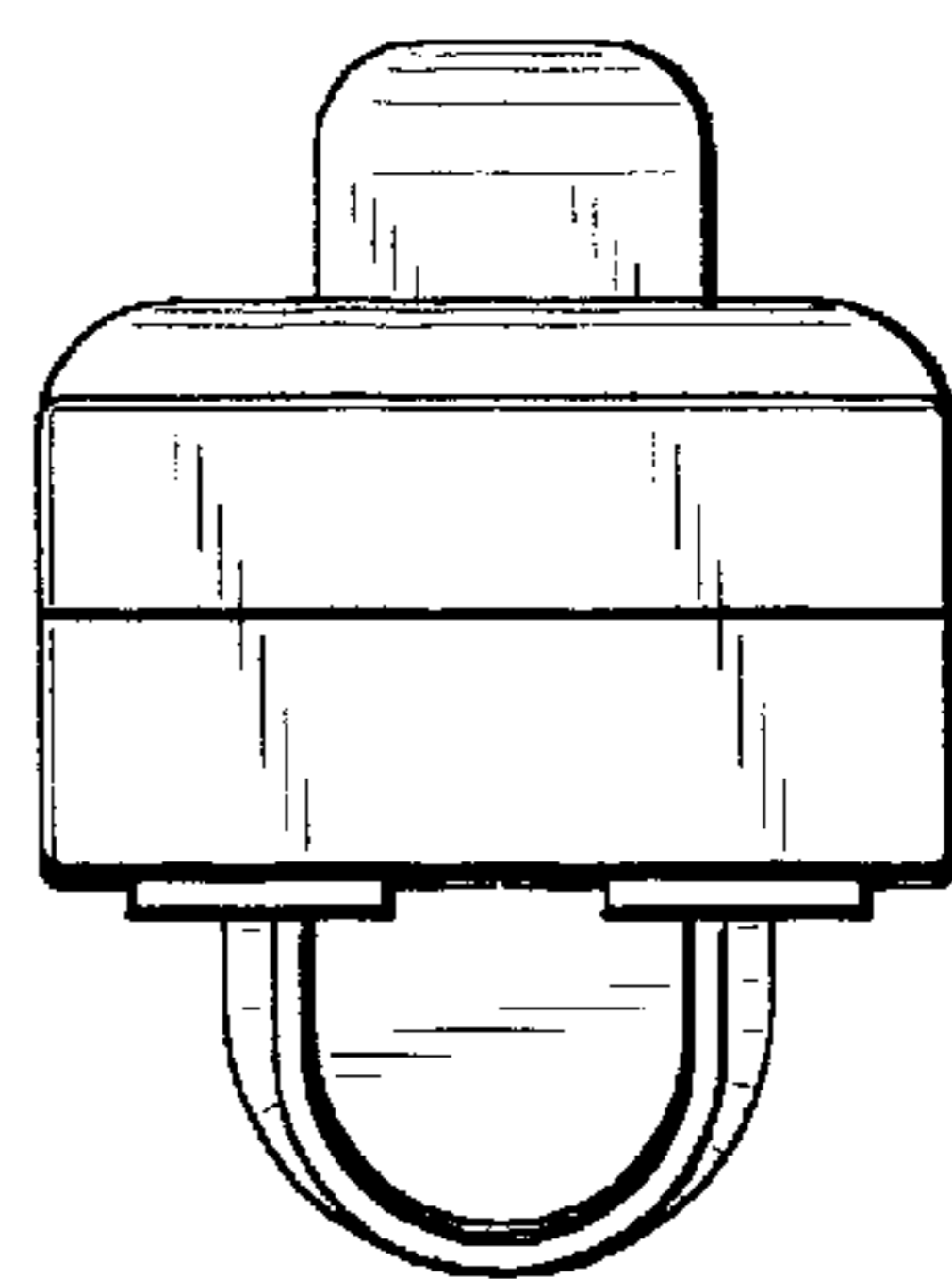


Fig. 6

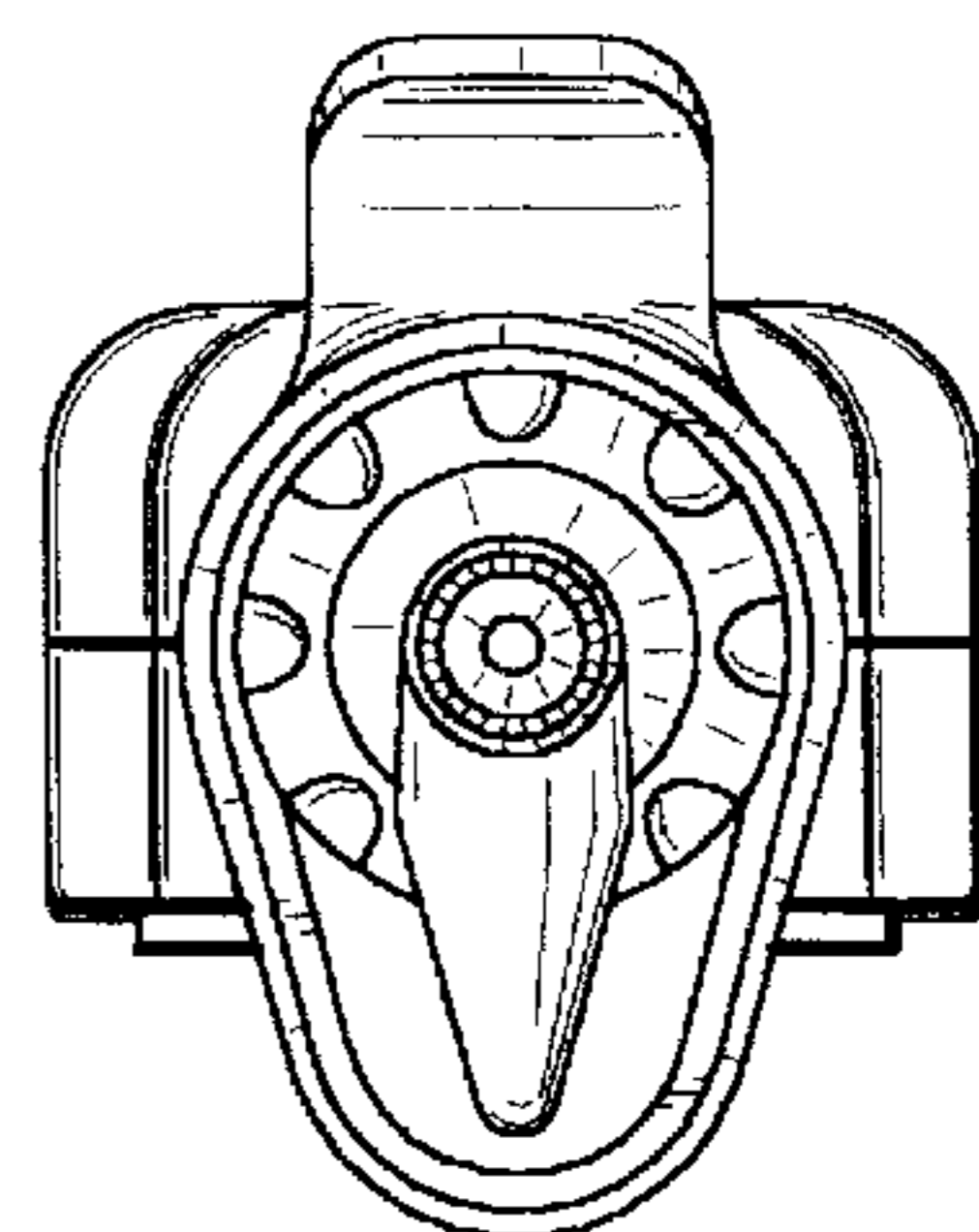


Fig. 7