



US00D426639S

# United States Patent [19]

[11] **Patent Number: Des. 426,639**

**McGrath-Ferraioli**

[45] **Date of Patent: \*\* Jun. 13, 2000**

[54] **COMBINED WATER BOTTLE NIPPLE AND COVER FOR CHILD**

4,502,603 3/1985 Hsu ..... 215/11.6  
5,069,351 12/1991 Gunderson et al. .... 215/11.1

[76] Inventor: **Shannon McGrath-Ferraioli**, 1357 Ashford Ave. #142, Condado, Puerto Rico 00907

*Primary Examiner*—Stella Reid

[\*\*] Term: **14 Years**

[57] **CLAIM**

The ornamental design for a combined water bottle nipple and cover for child, as shown and described.

[21] Appl. No.: **29/107,026**

### DESCRIPTION

[22] Filed: **Jun. 24, 1999**

[51] **LOC (7) Cl.** ..... **07-01**

[52] **U.S. Cl.** ..... **D24/197**

[58] **Field of Search** ..... D24/197; 215/11.1, 215/11.2, 11.3, 11.4, 11.5, 11.6

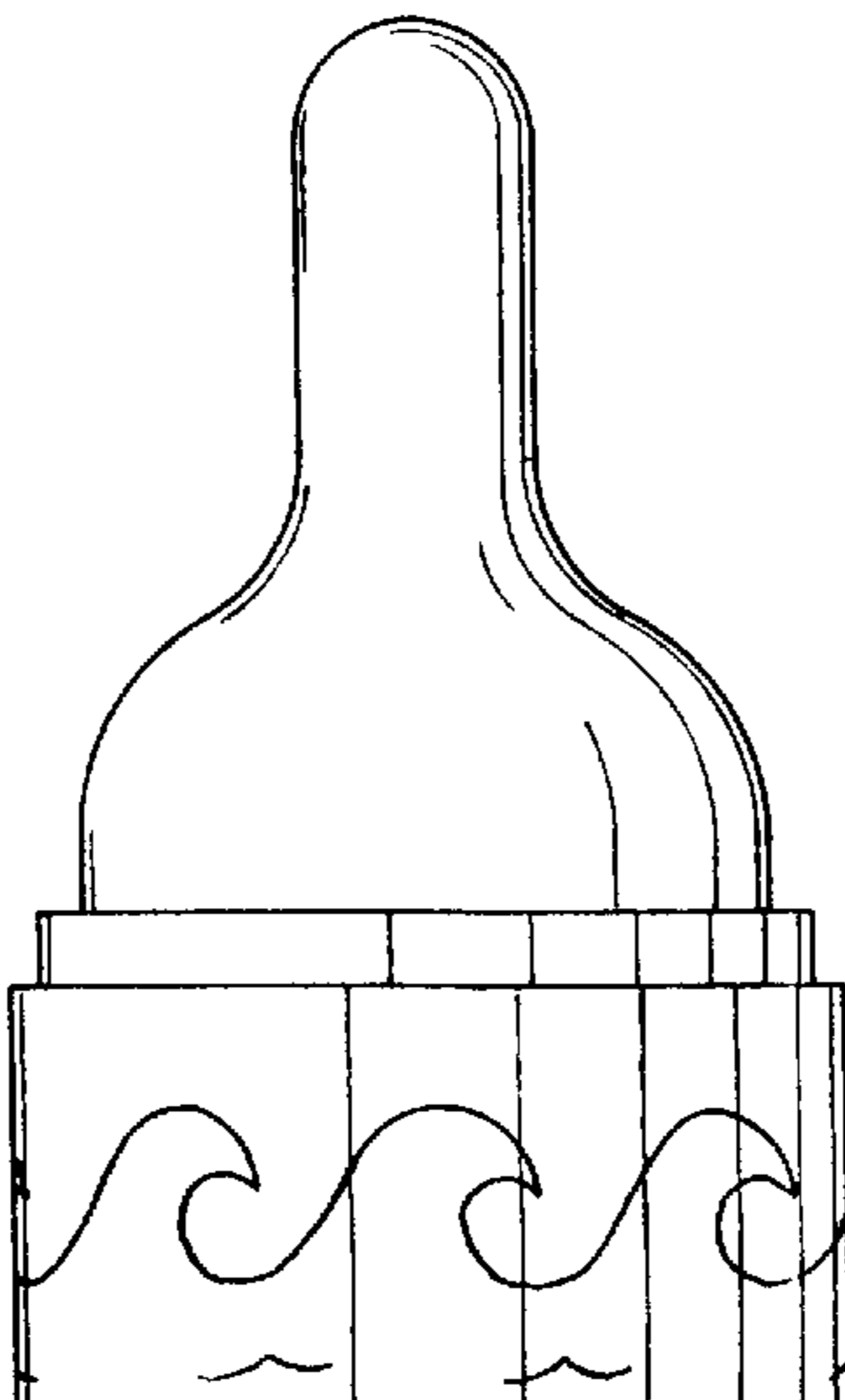
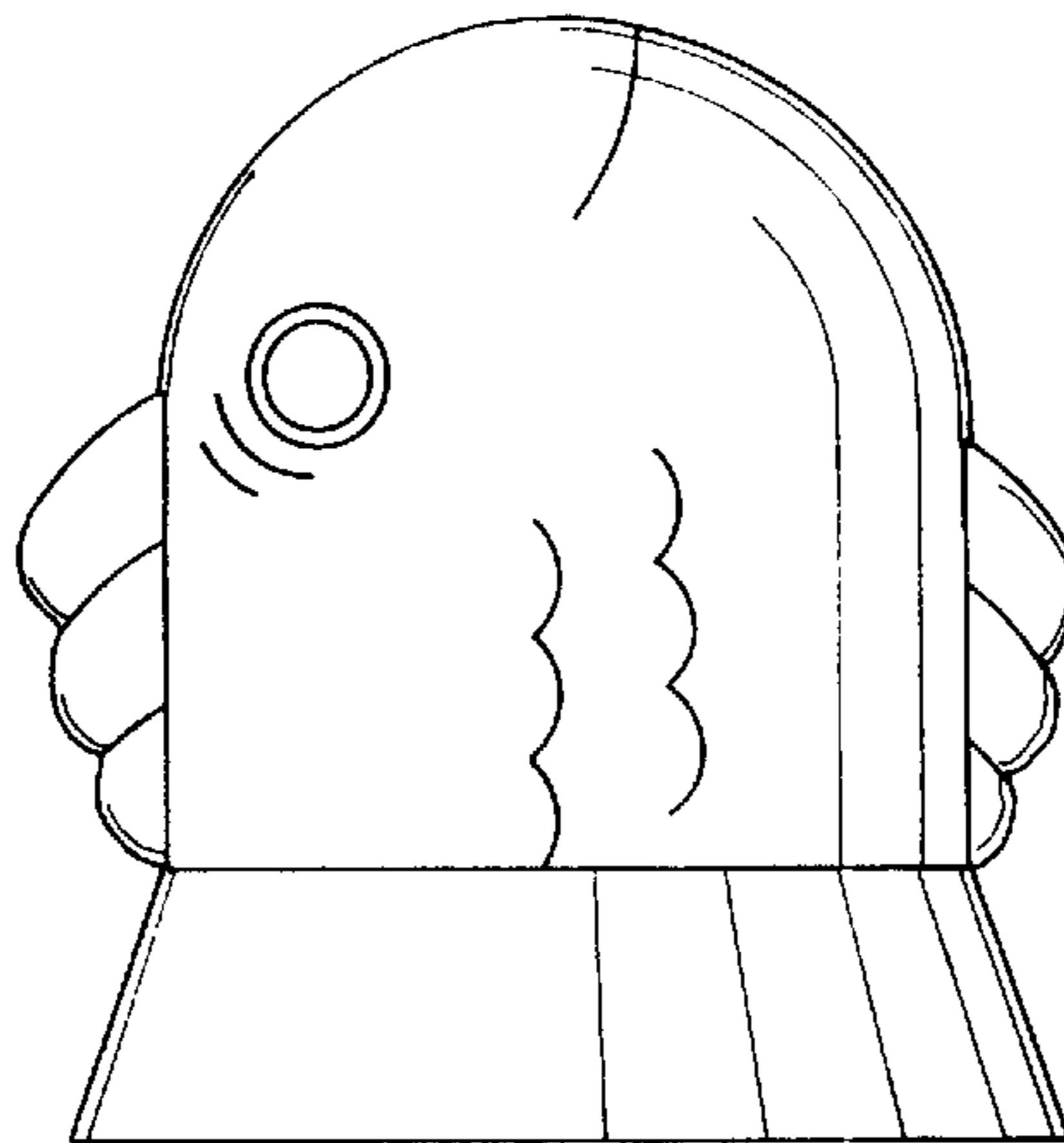
FIG. 1 is a front elevational view of the combined water bottle nipple and cover for child of the present invention, the rear elevational view being a mirror image thereof; FIG. 2 is a left side elevational view of the combined water bottle nipple and cover for child of FIG. 1; FIG. 3 is a right side elevational view of the combined water bottle nipple and cover for child of FIG. 1; FIG. 4 is a top plan view of the combined water bottle nipple and cover for child of FIG. 1; and, FIG. 5 is a bottom plan view of the combined water bottle nipple and cover for child of FIG. 1.

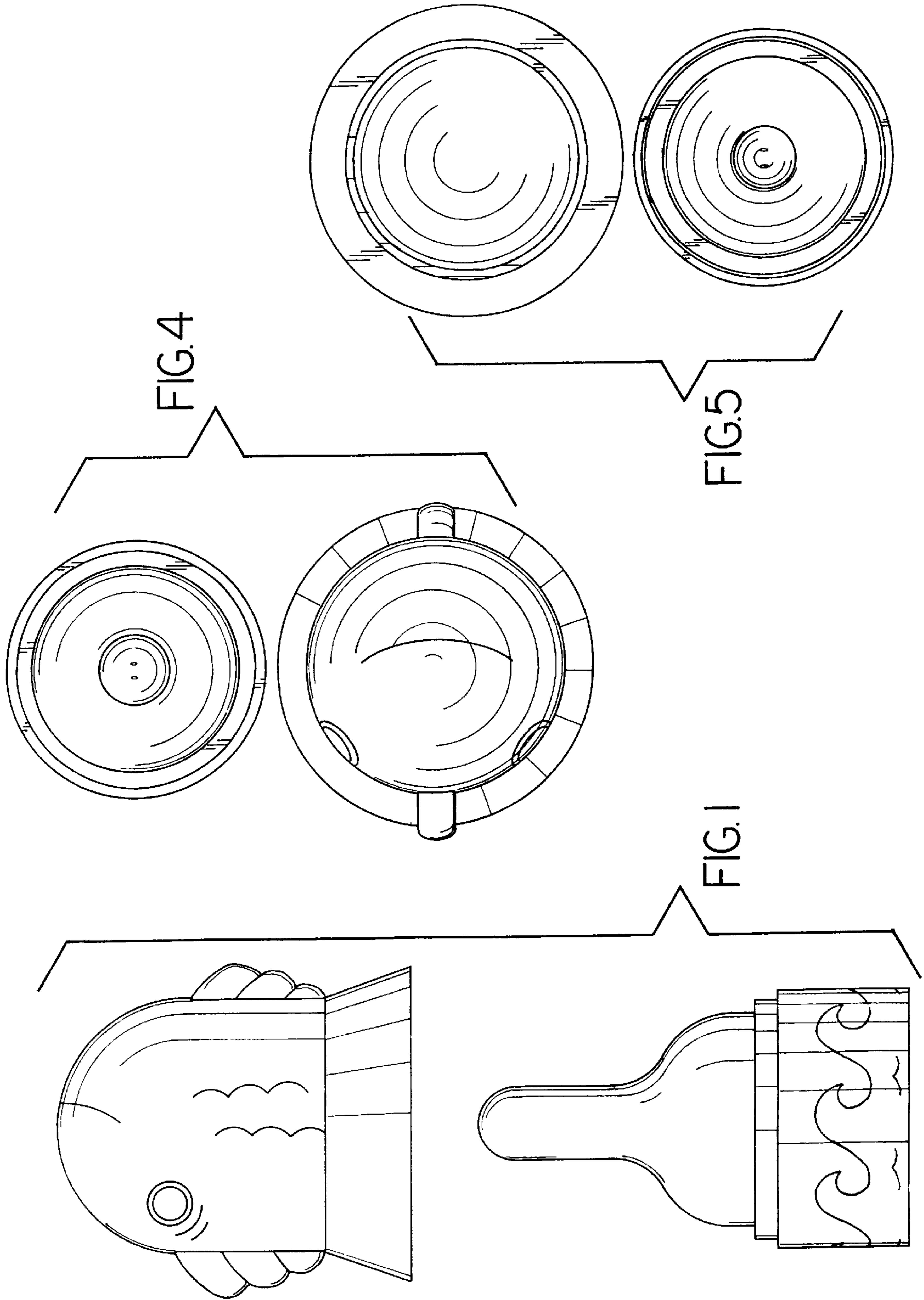
### [56] **References Cited**

#### U.S. PATENT DOCUMENTS

D. 349,769	8/1994	Green	.....	D24/197
D. 393,075	3/1998	Allegre	.....	D24/197
D. 404,824	1/1999	Neiley	.....	D24/197
D. 417,505	12/1999	Nuzzo	.....	D24/197

**1 Claim, 2 Drawing Sheets**





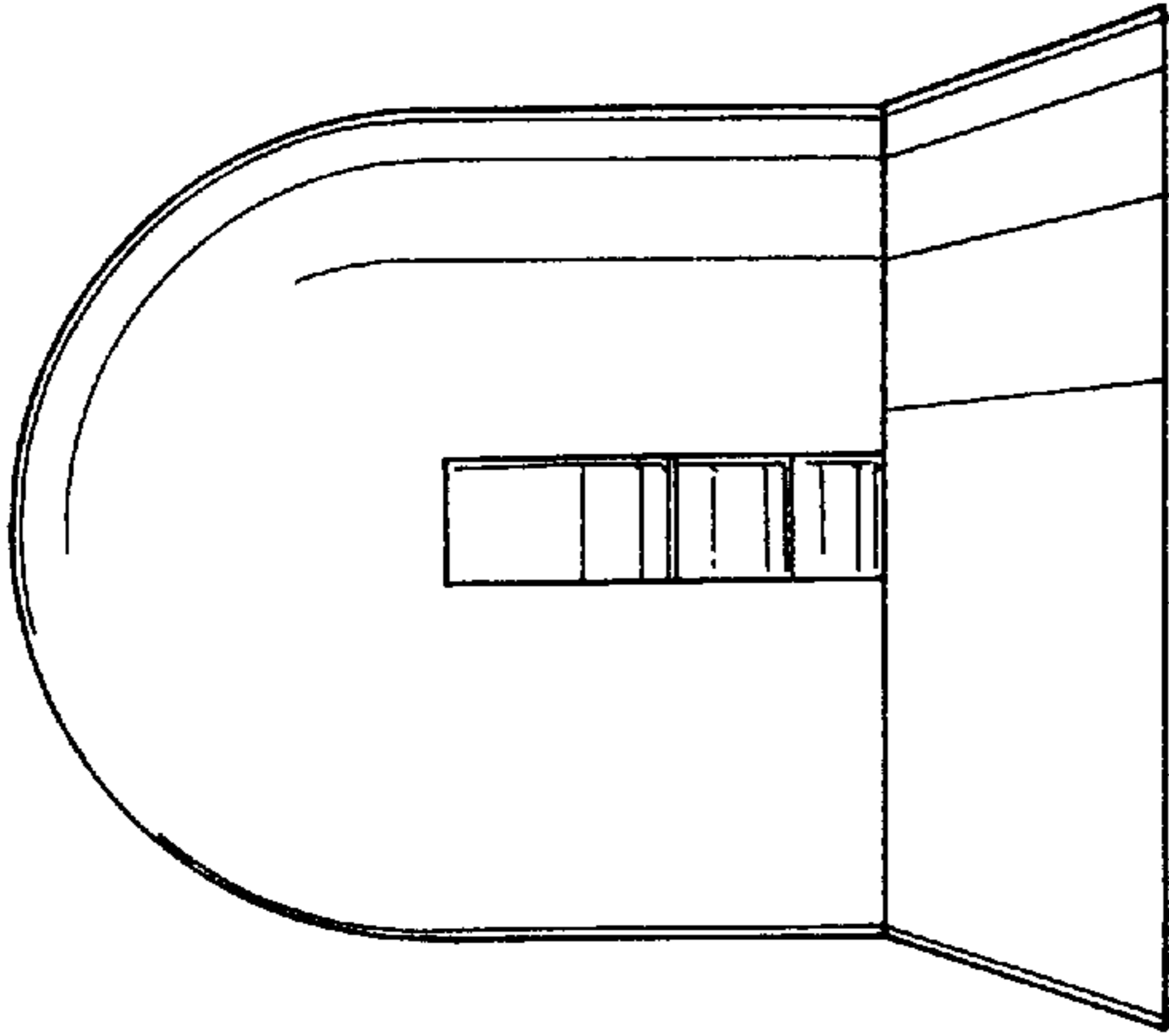


FIG. 2

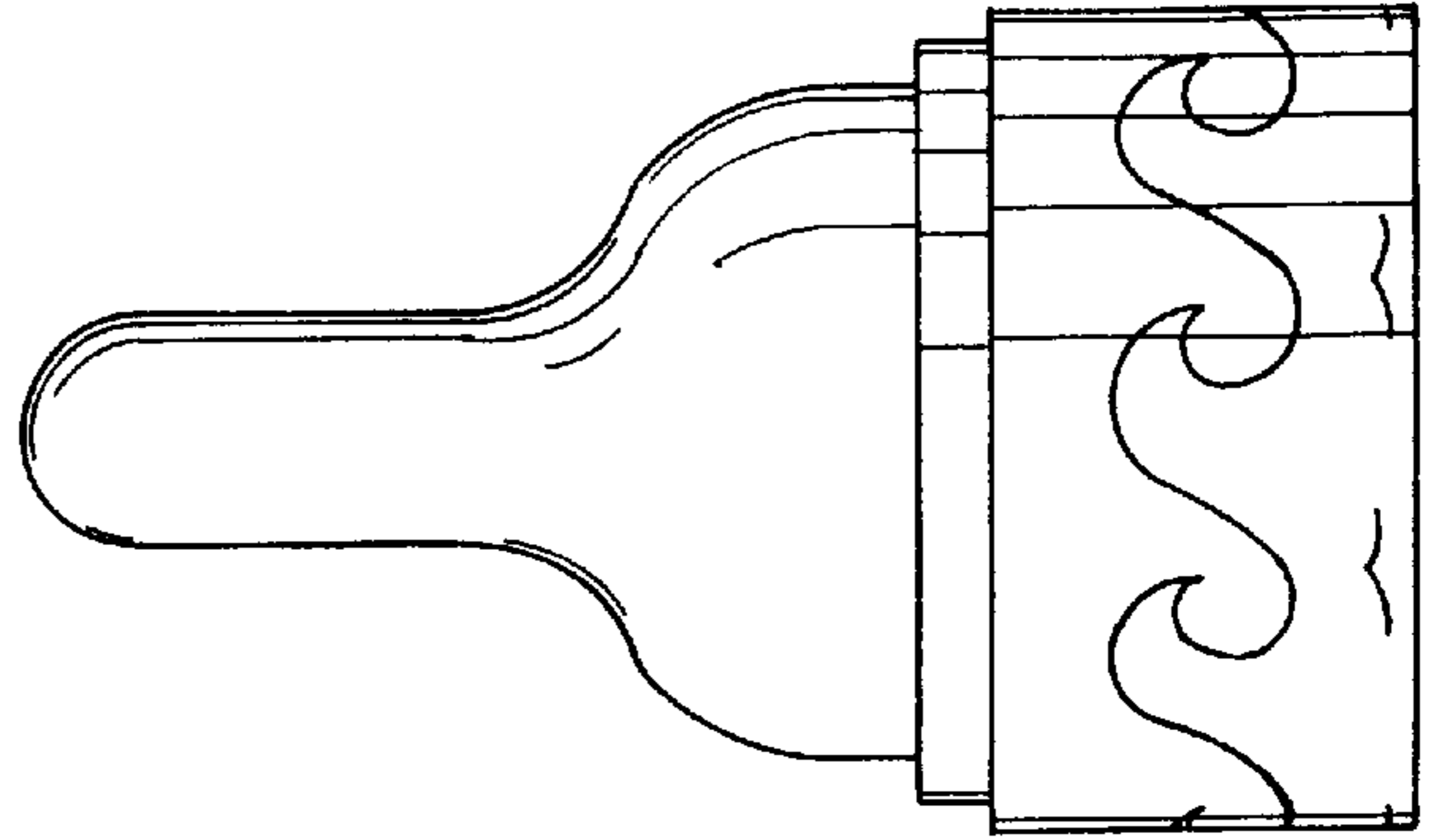


FIG. 3

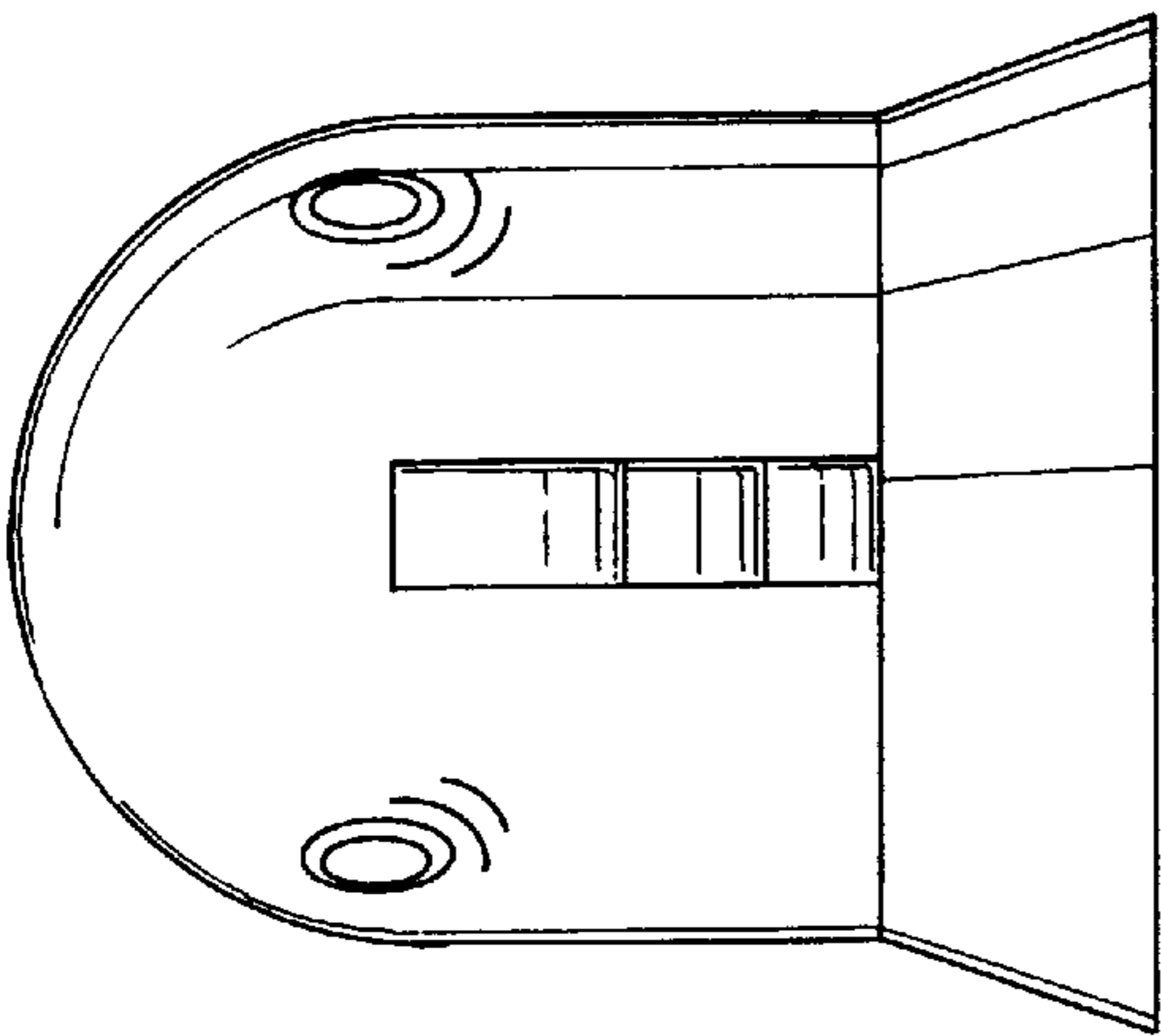


FIG. 2

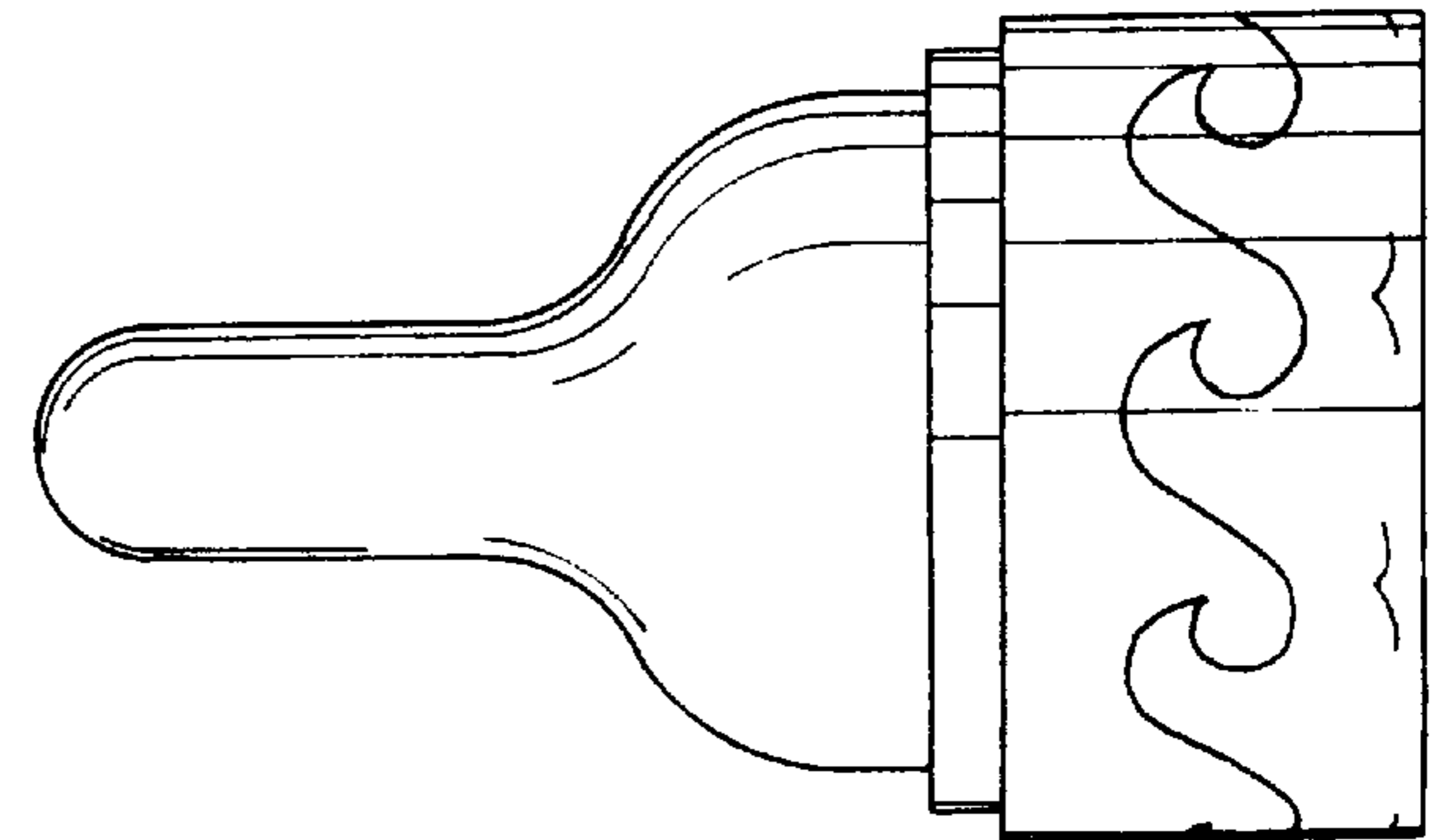


FIG. 3