



US00D426633S

United States Patent [19]

Bachman et al.

[11] Patent Number: Des. 426,633

[45] Date of Patent: ** Jun. 13, 2000

[54] **ORAL IRRIGATOR BASE** 4,454,866 6/1984 Fayen 601/162
 4,803,974 2/1989 Powell .
 4,906,187 3/1990 Amadera .
 4,928,675 5/1990 Thornton .
 5,086,756 2/1992 Powell .
 5,246,367 9/1993 Ito et al. .
 5,344,317 9/1994 Pächer et al. .
 5,399,089 3/1995 Eichman et al. 433/80
 5,616,028 4/1997 Häfele et al. .
 5,697,784 12/1997 Häfele et al. .

[75] Inventors: **Timothy A. Bachman**, Fort Collins;
Tana Clare, Thornton, both of Colo.;
Andrew Serbinski, Annandale, N.J.

[73] Assignee: **Teledyne Industries, Inc.**, Fort Collins,
 Colo.

[**] Term: **14 Years**

[21] Appl. No.: **29/098,137**

[22] Filed: **Dec. 18, 1998**

[51] **LOC (7) Cl.** **24-02**

[52] **U.S. Cl.** **D24/111**

[58] **Field of Search** D24/111, 152,
 D24/176; 433/85, 80, 100, 88, 81, 82, 84;
 601/160, 161, 162, 163, 165, 164

[56] References Cited

U.S. PATENT DOCUMENTS

D. 291,354 8/1987 Camens D24/111
 D. 356,864 3/1995 Woog D24/111
 D. 369,656 5/1996 Vos D24/111
 3,547,110 12/1970 Balamuth .
 3,636,947 1/1972 Balamuth .
 3,809,977 5/1974 Balamuth et al. .
 4,141,352 2/1979 Ebner et al. 601/162
 4,215,476 8/1980 Armstrong .
 4,219,618 8/1980 Leonard .
 4,331,422 5/1982 Heyman .
 4,412,823 11/1983 Sakai et al. .

OTHER PUBLICATIONS

WOOG® Products at a Glance Brochure, Home Dental Care System, WOOG Orajet, at least as early as Dec. 18, 1998.

Primary Examiner—Stella Reid
Assistant Examiner—I Simmons
Attorney, Agent, or Firm—Holland & Hart LLP

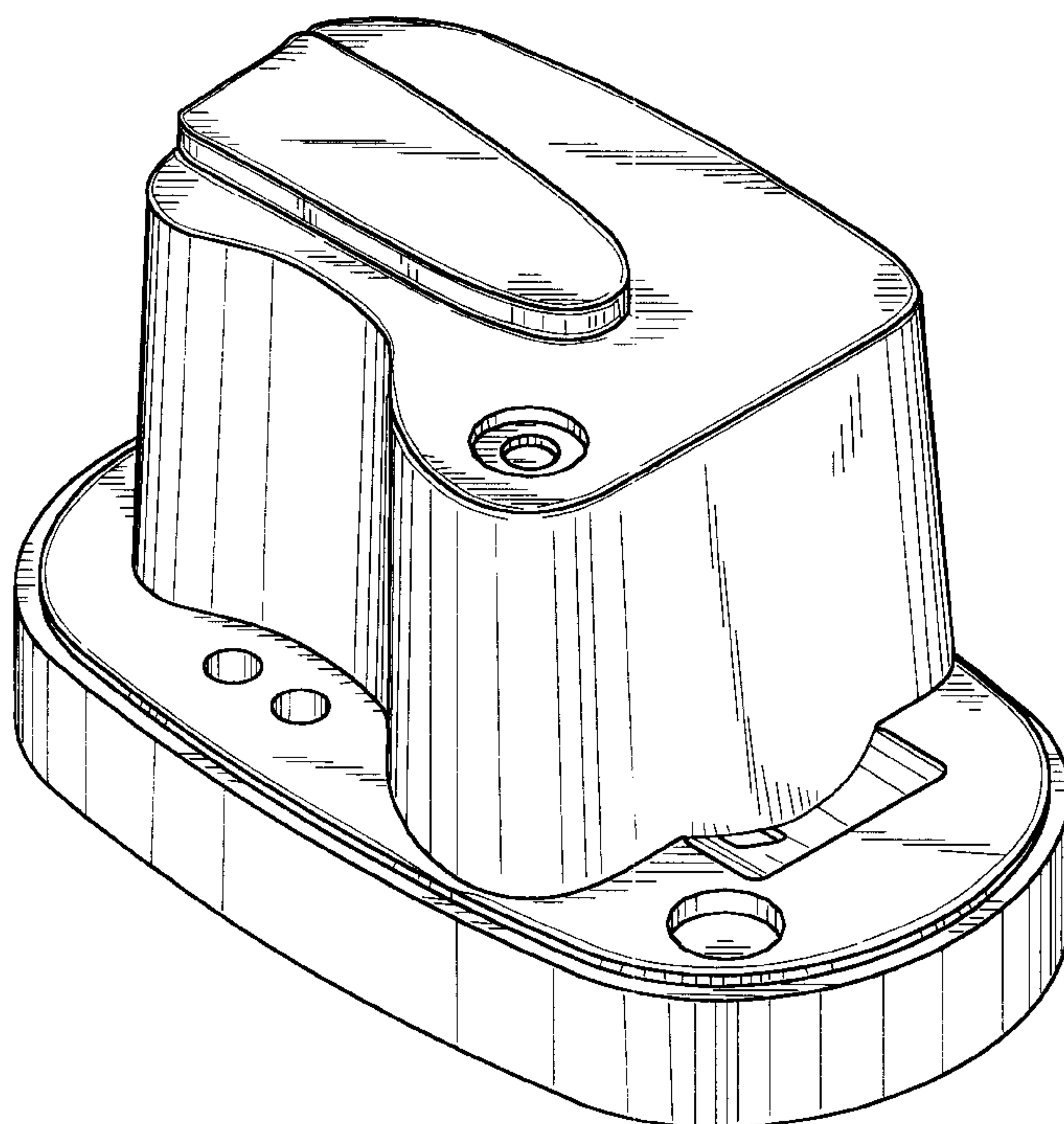
[57] CLAIM

The ornamental design for an oral irrigator base, as shown and described.

DESCRIPTION

FIG. 1 is an isometric view of an oral irrigator base showing our new design.
 FIG. 2 is a top plan view thereof.
 FIG. 3 is a front elevation view thereof.
 FIG. 4 is a left side elevation view thereof.
 FIG. 5 is a right side elevation view thereof.
 FIG. 6 is a rear elevation view thereof; and,
 FIG. 7 is a bottom plan view thereof.

1 Claim, 4 Drawing Sheets



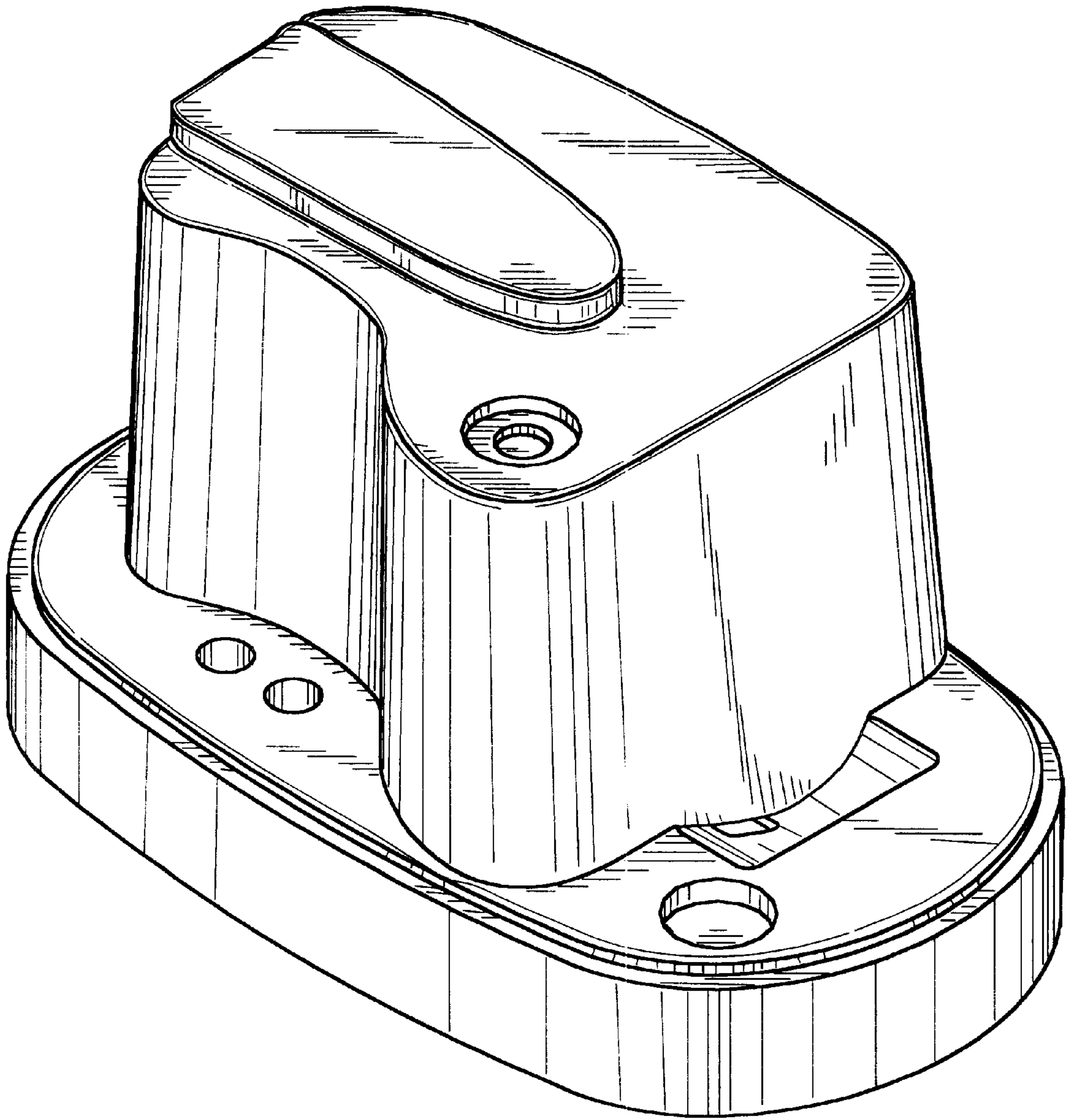


Fig. 1

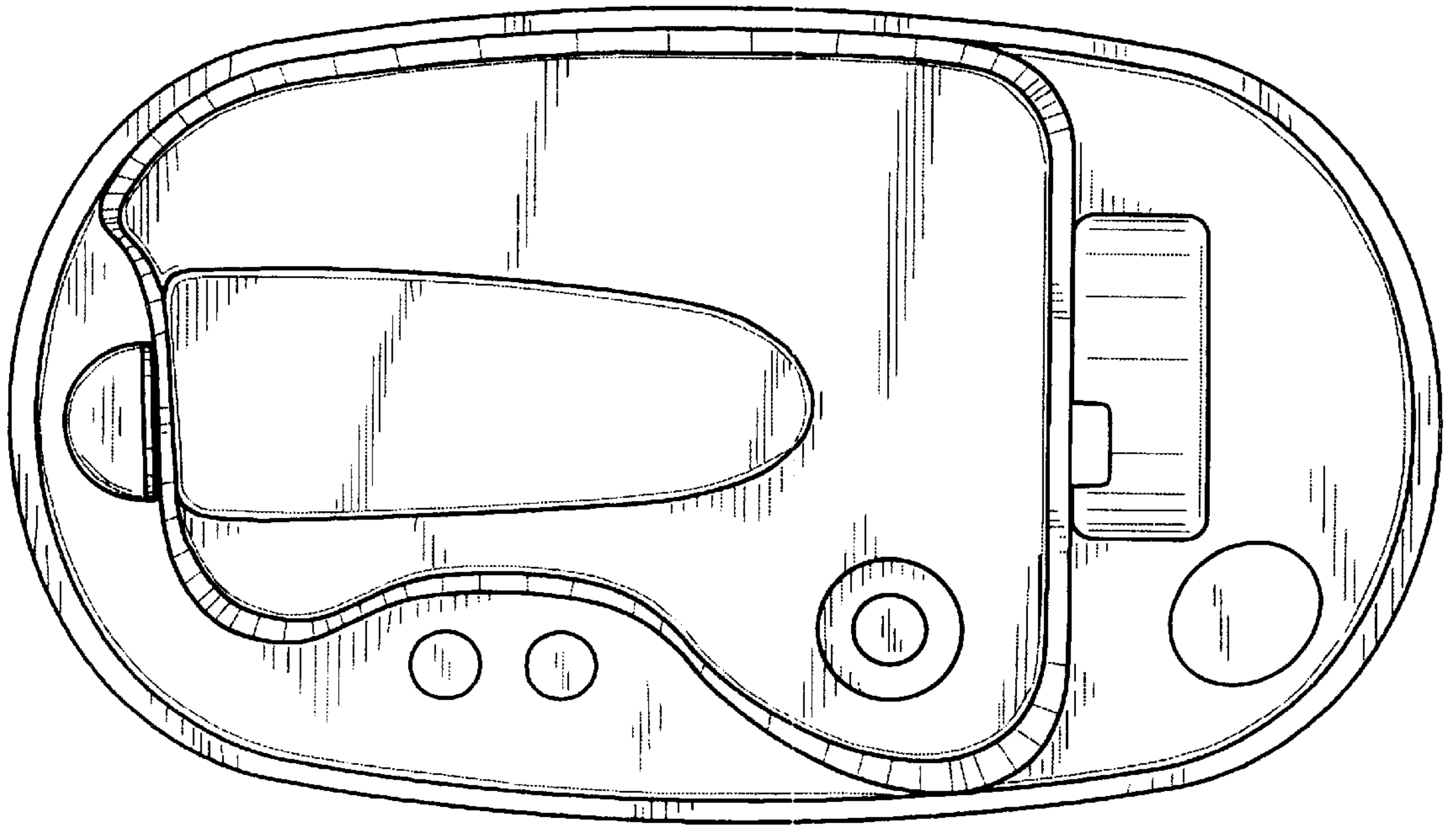


Fig. 2

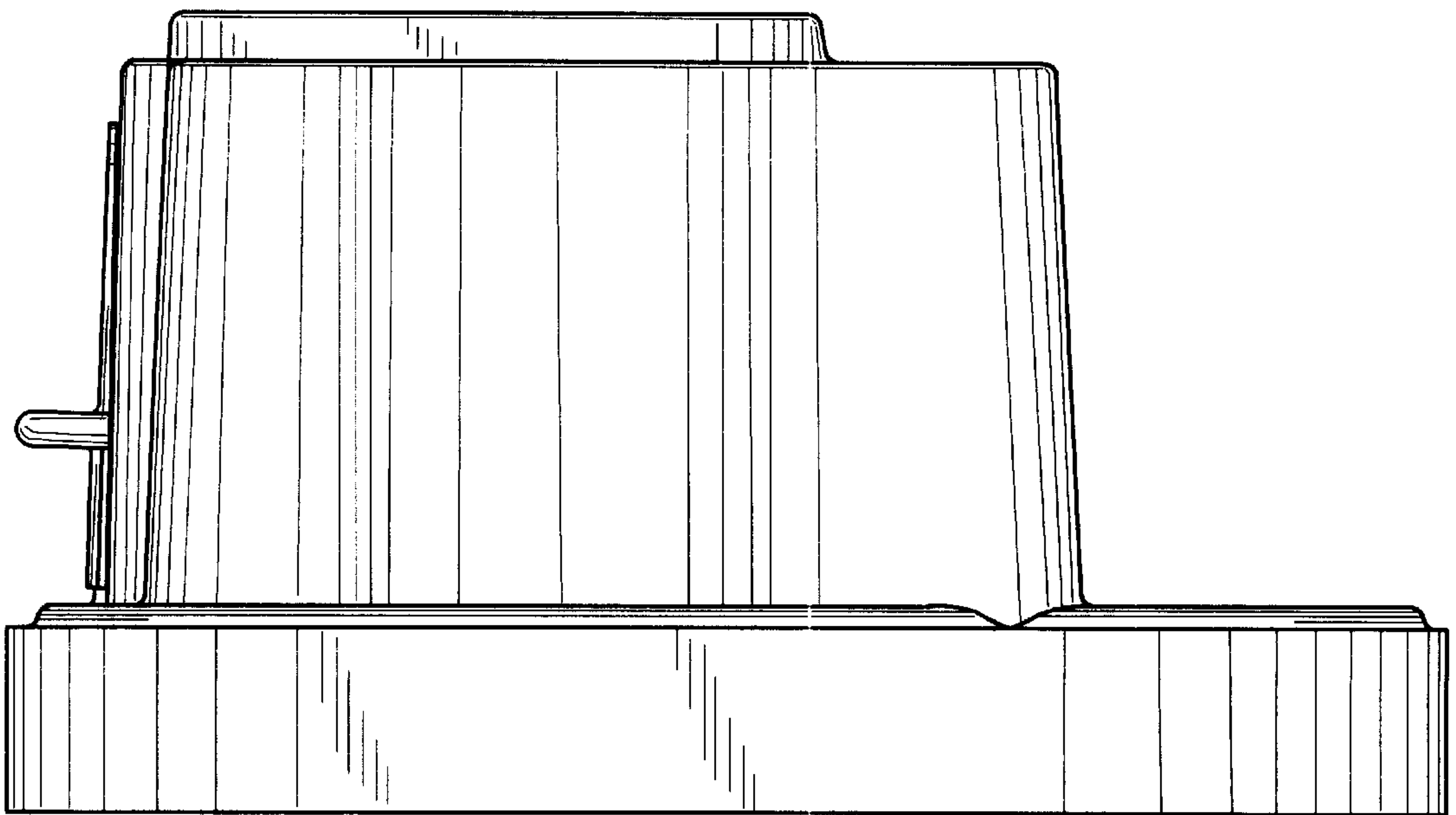


Fig. 3

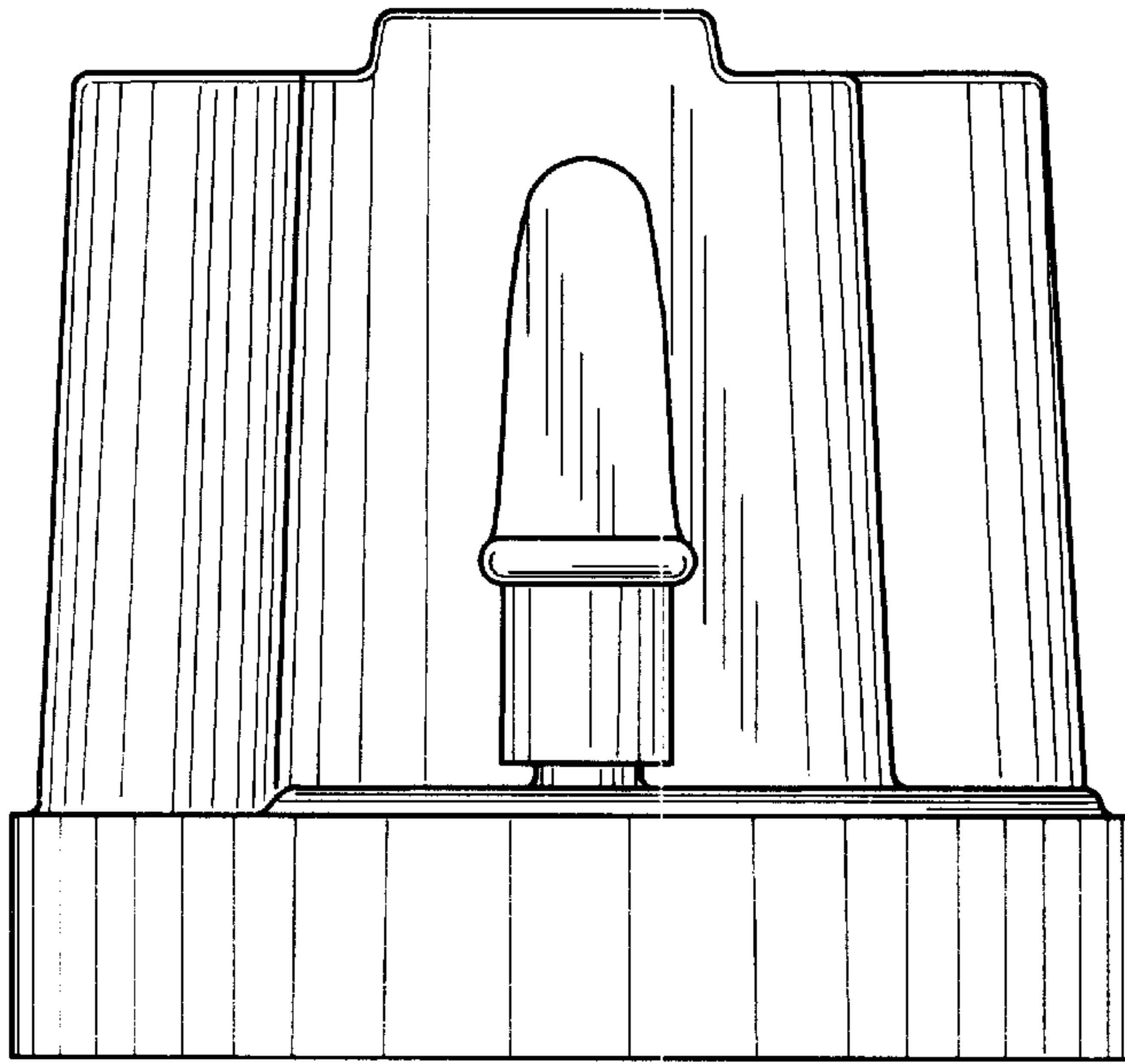


Fig. 4

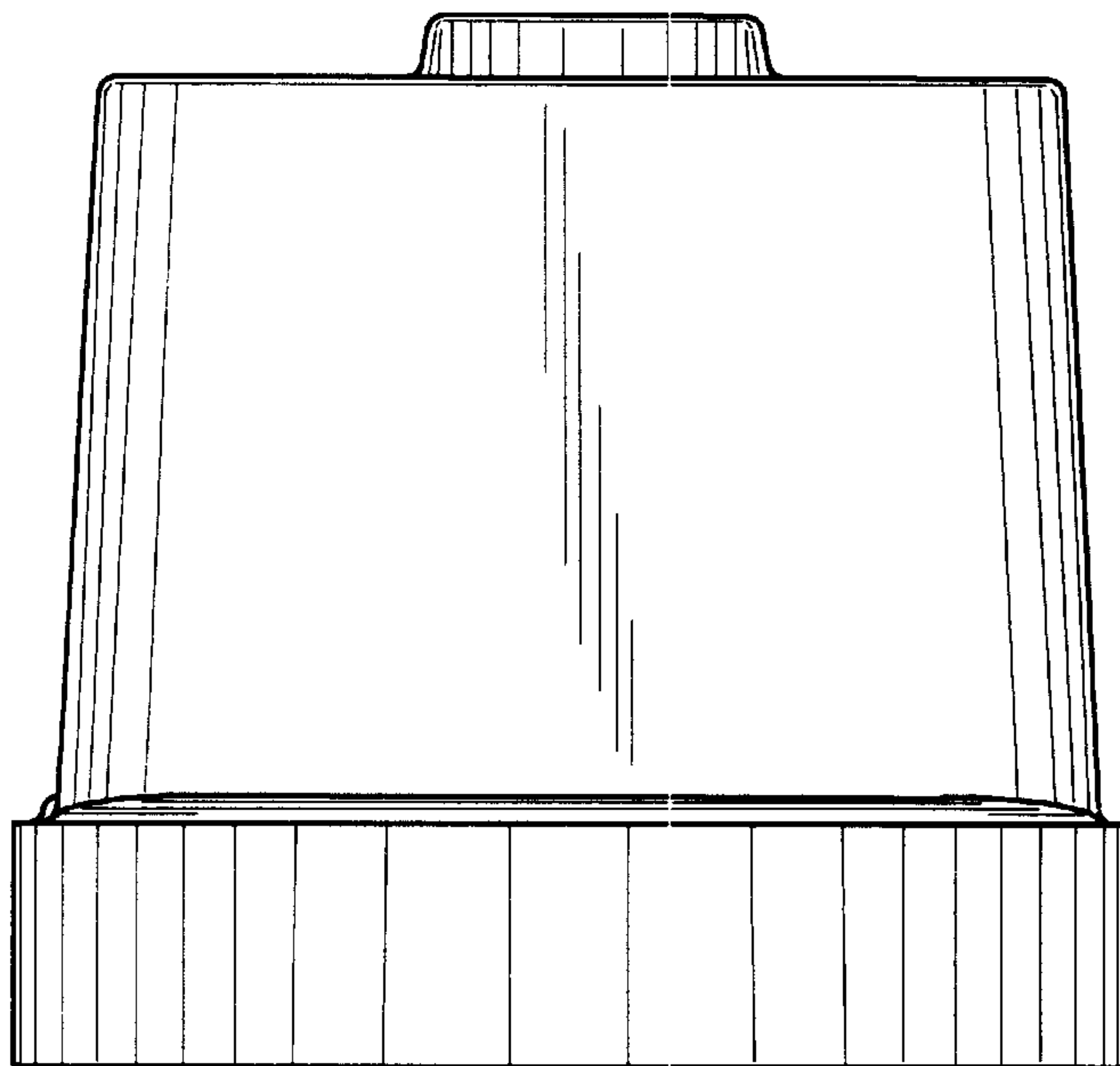


Fig. 5

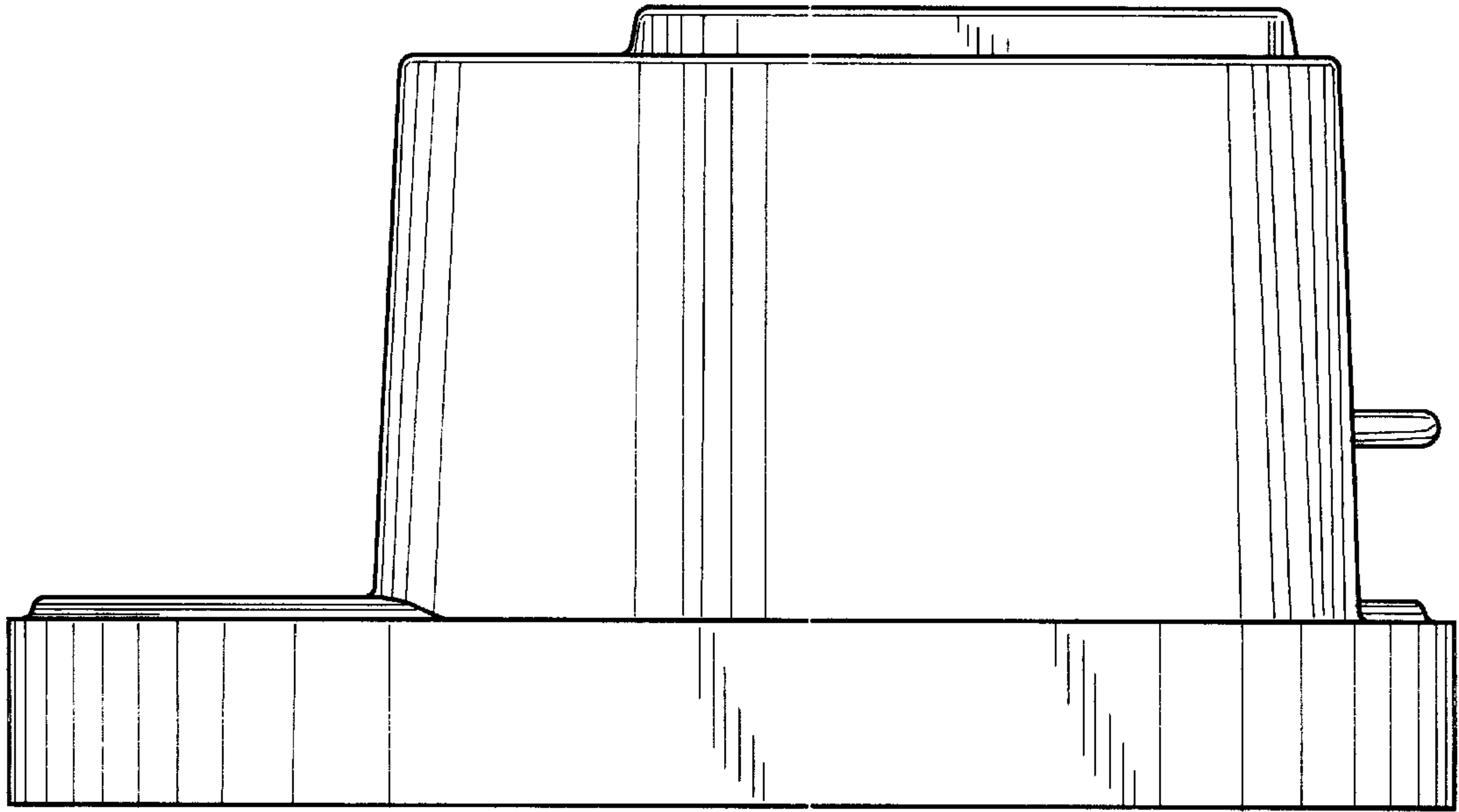


Fig. 6

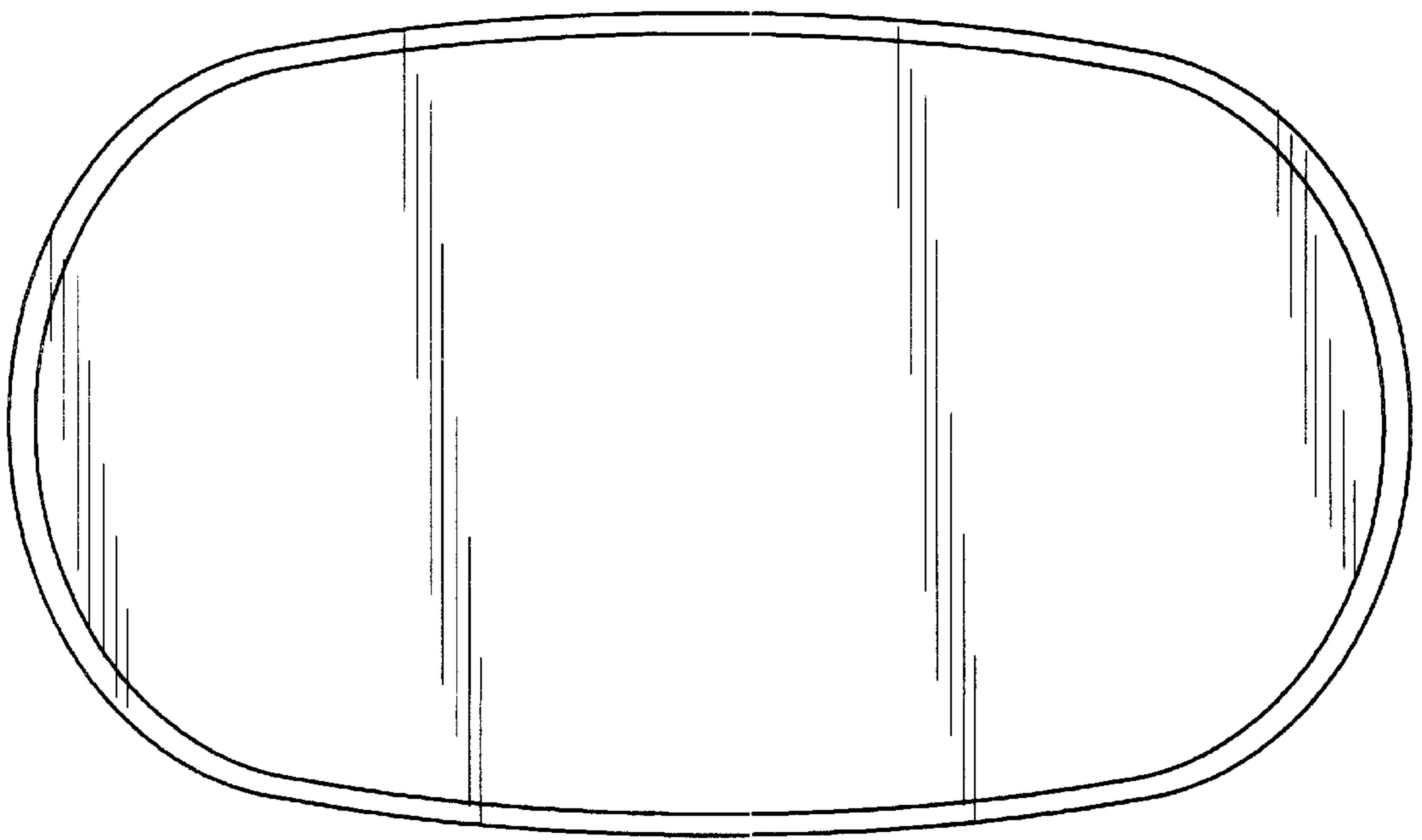


Fig. 7