



US00D426631S

United States Patent [19]
Thakur

[11] **Patent Number: Des. 426,631**

[45] **Date of Patent: ** Jun. 13, 2000**

[54] **FLOOR FAN**

[76] **Inventor: Doulat Kumar Thakur, 8 Fl., No. 25, Sec. 1, Nanking E. Rd., Taipei, Taiwan**

[**] **Term: 14 Years**

[21] **Appl. No.: 29/113,283**

[22] **Filed: Nov. 2, 1999**

[51] **LOC (7) Cl. 23-04**

[52] **U.S. Cl. D23/378; D23/382**

[58] **Field of Search D23/381, 370, D23/328, 382, 378, 335, 336, 411, 412, 332; 416/246 R, 247 R**

[56] **References Cited**

U.S. PATENT DOCUMENTS

D. 323,885 2/1992 Litvin et al. D23/378

D. 355,483 2/1995 Litvin et al. D23/378

Primary Examiner—Lisa Lichtenstein
Attorney, Agent, or Firm—Rosenberg, Klein & Lee

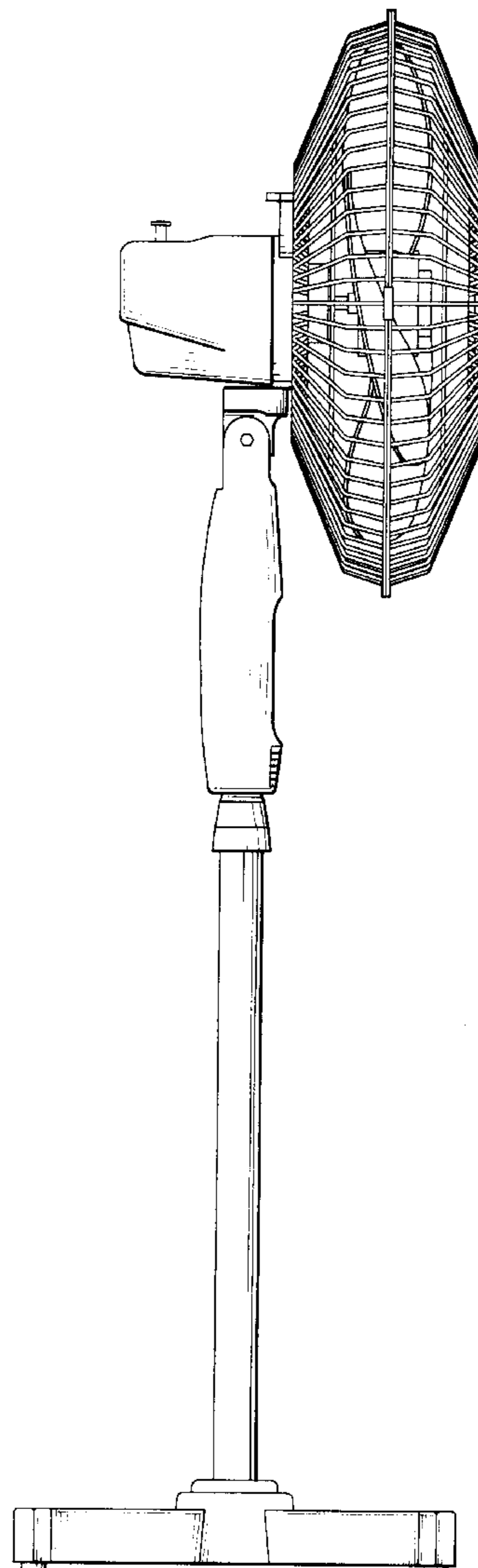
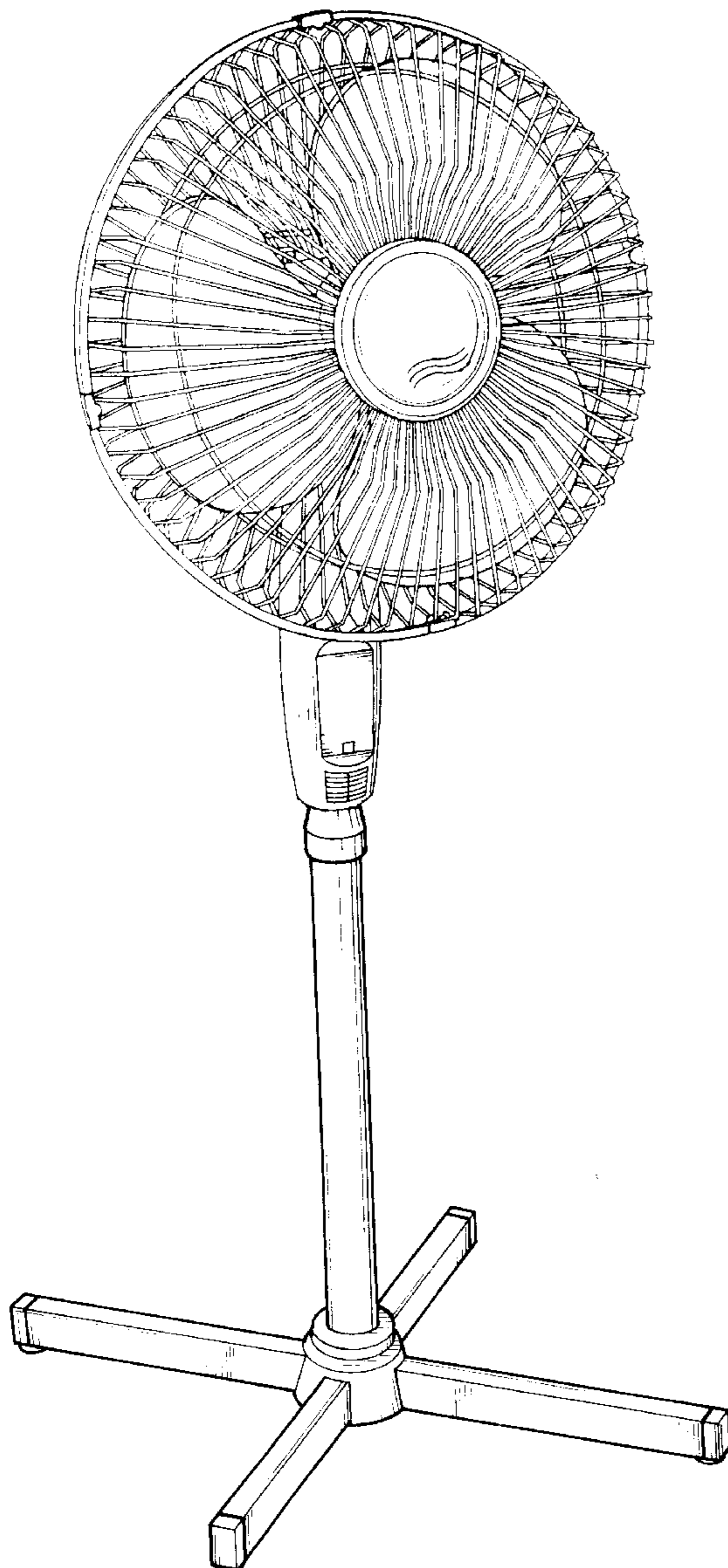
[57] **CLAIM**

The ornamental design for a floor fan, as shown.

DESCRIPTION

FIG. 1 is a perspective view of an floor fan, showing my new design;
FIG. 2 is a front elevational view thereof;
FIG. 3 is a rear elevational view thereof;
FIG. 4 is a left side elevational view thereof;
FIG. 5 is a right side elevational view thereof;
FIG. 6 is a top plan view thereof; and,
FIG. 7 is a bottom plan view thereof.

1 Claim, 6 Drawing Sheets



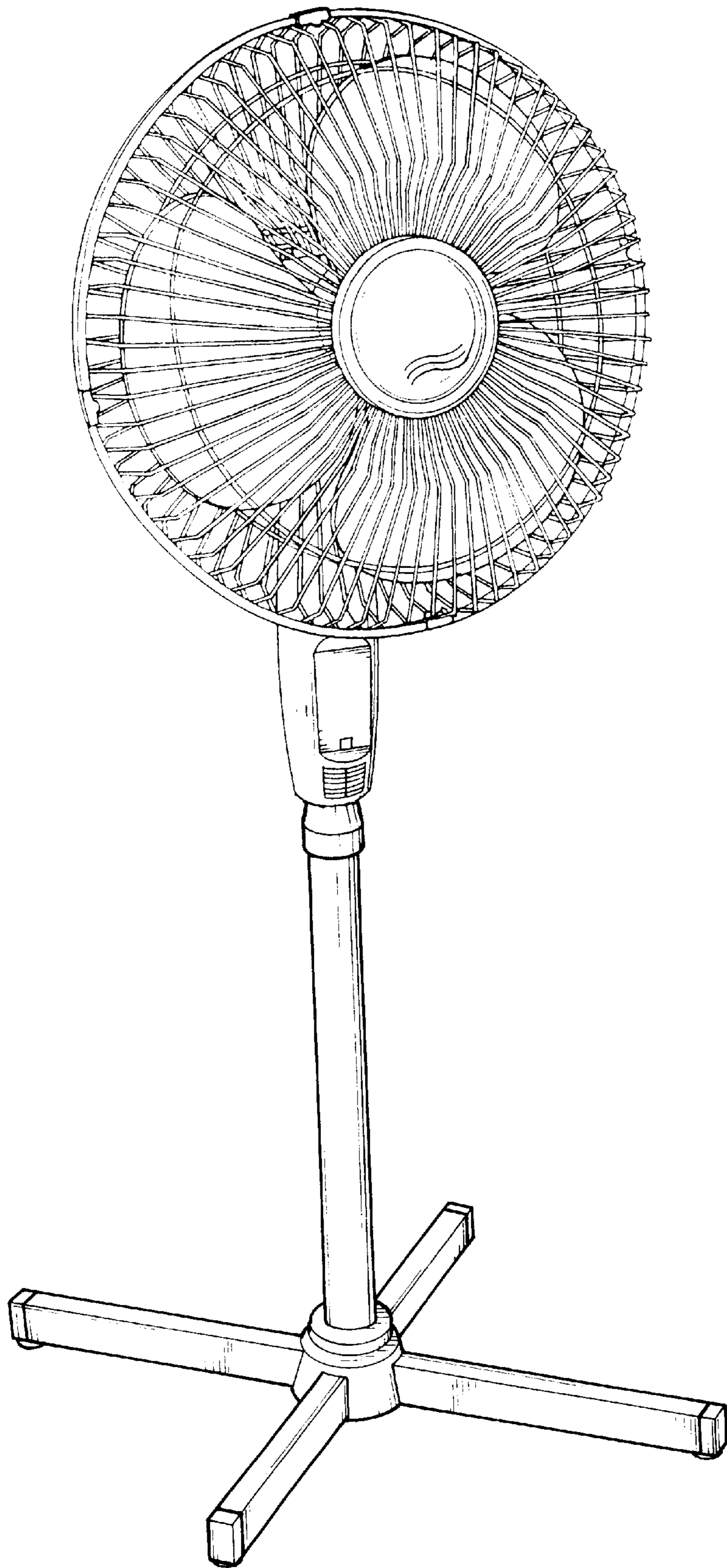


FIG. 1

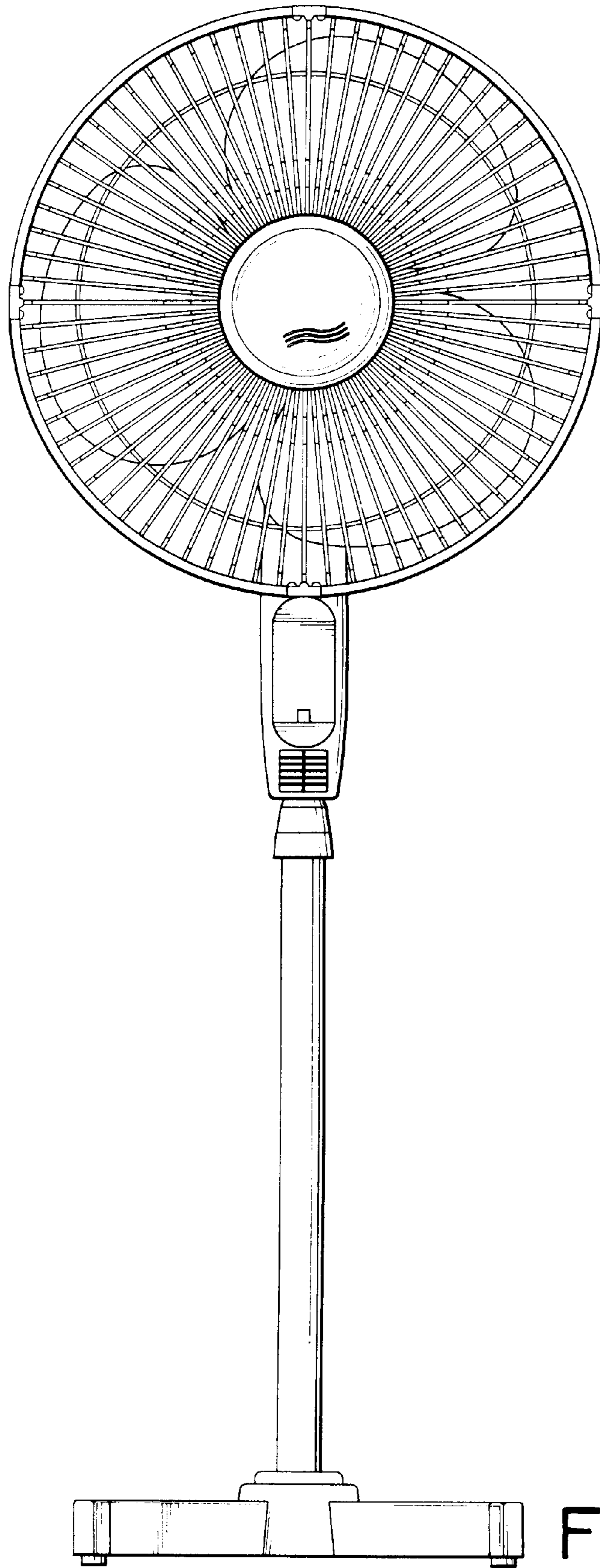


FIG. 2

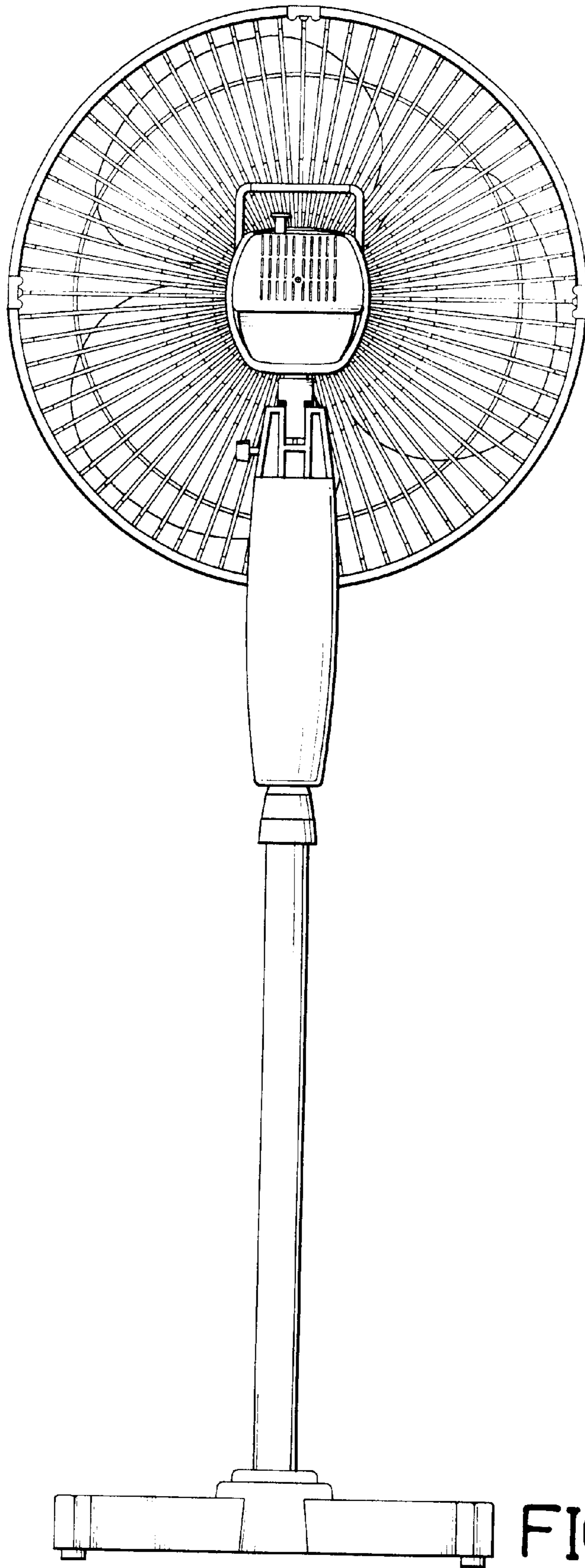


FIG. 3

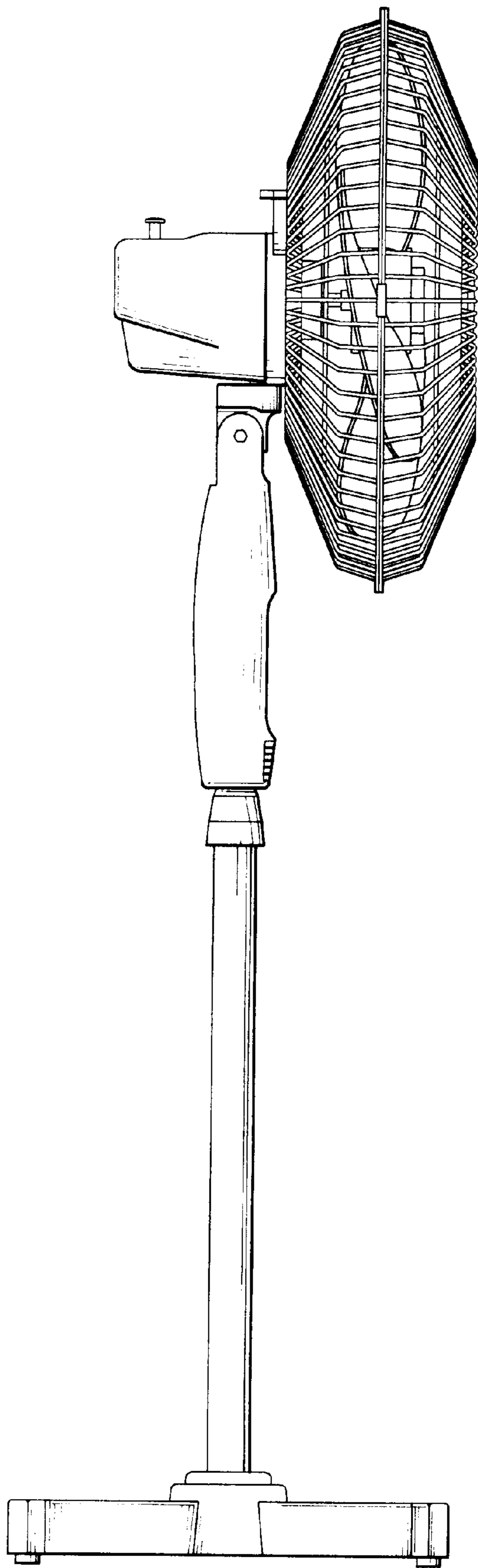


FIG. 4

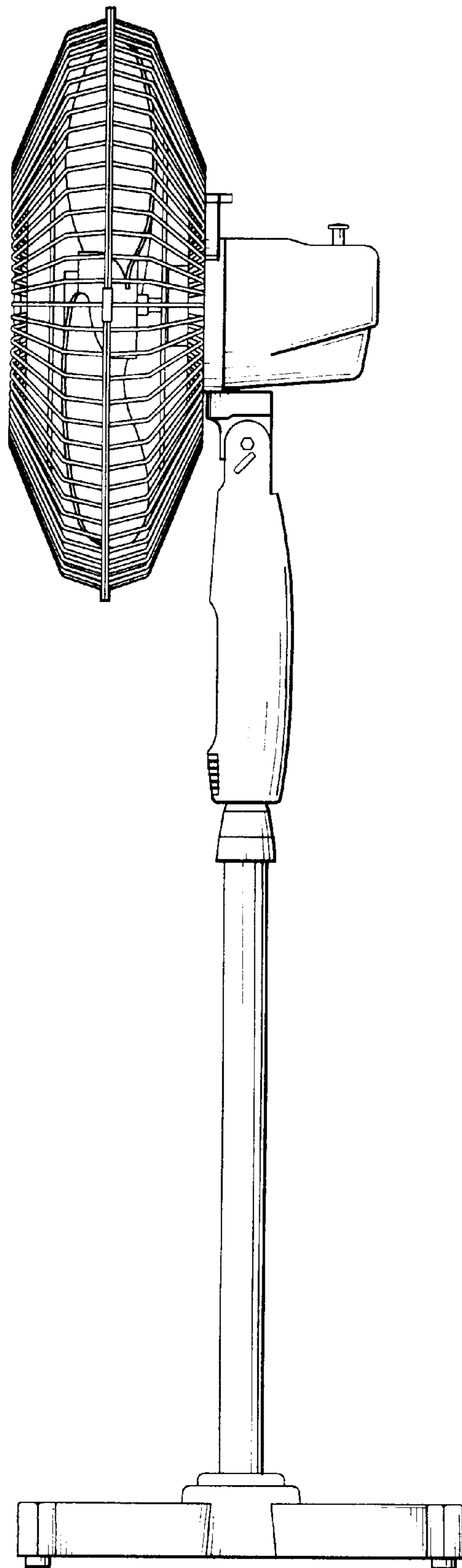


FIG. 5

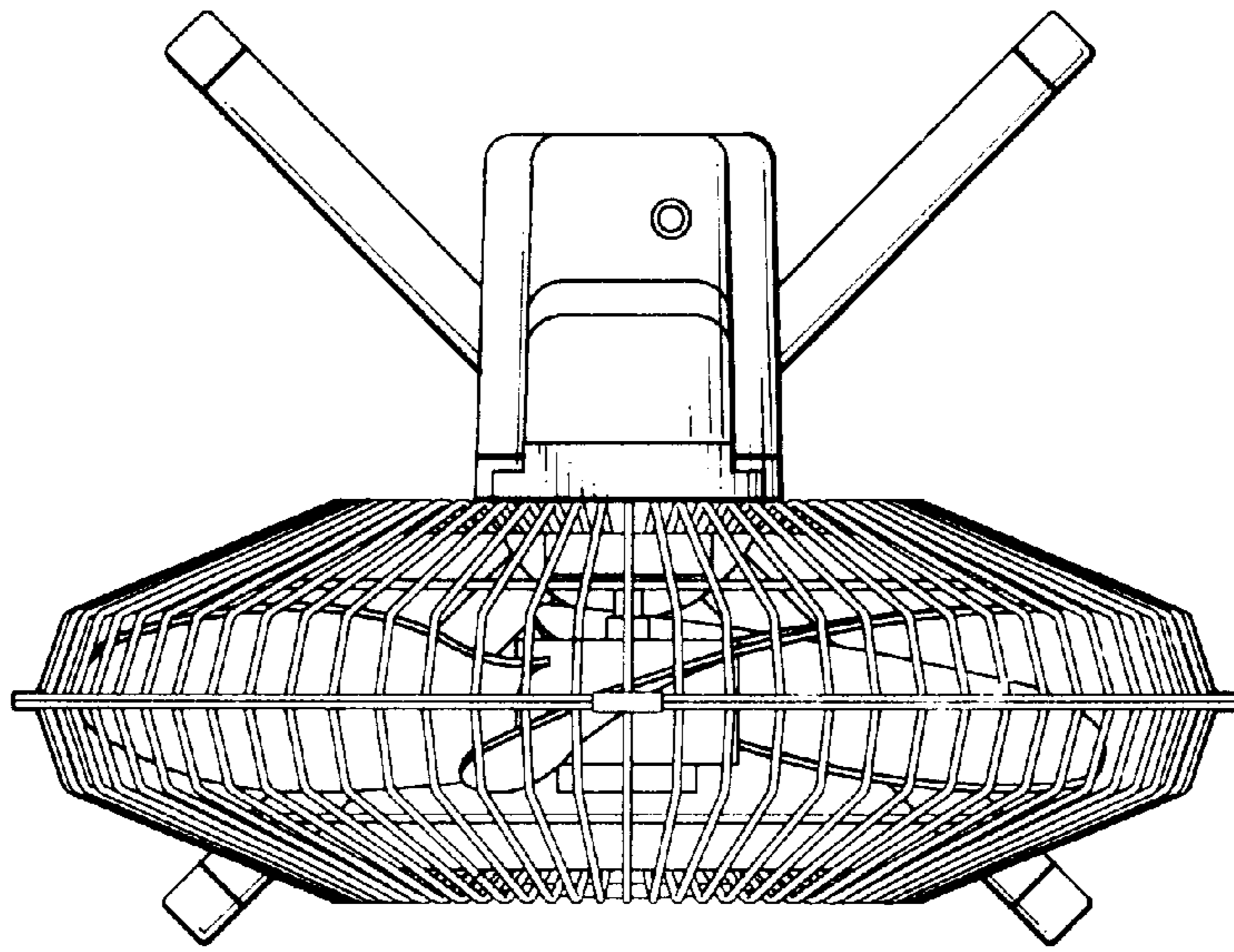


FIG. 6

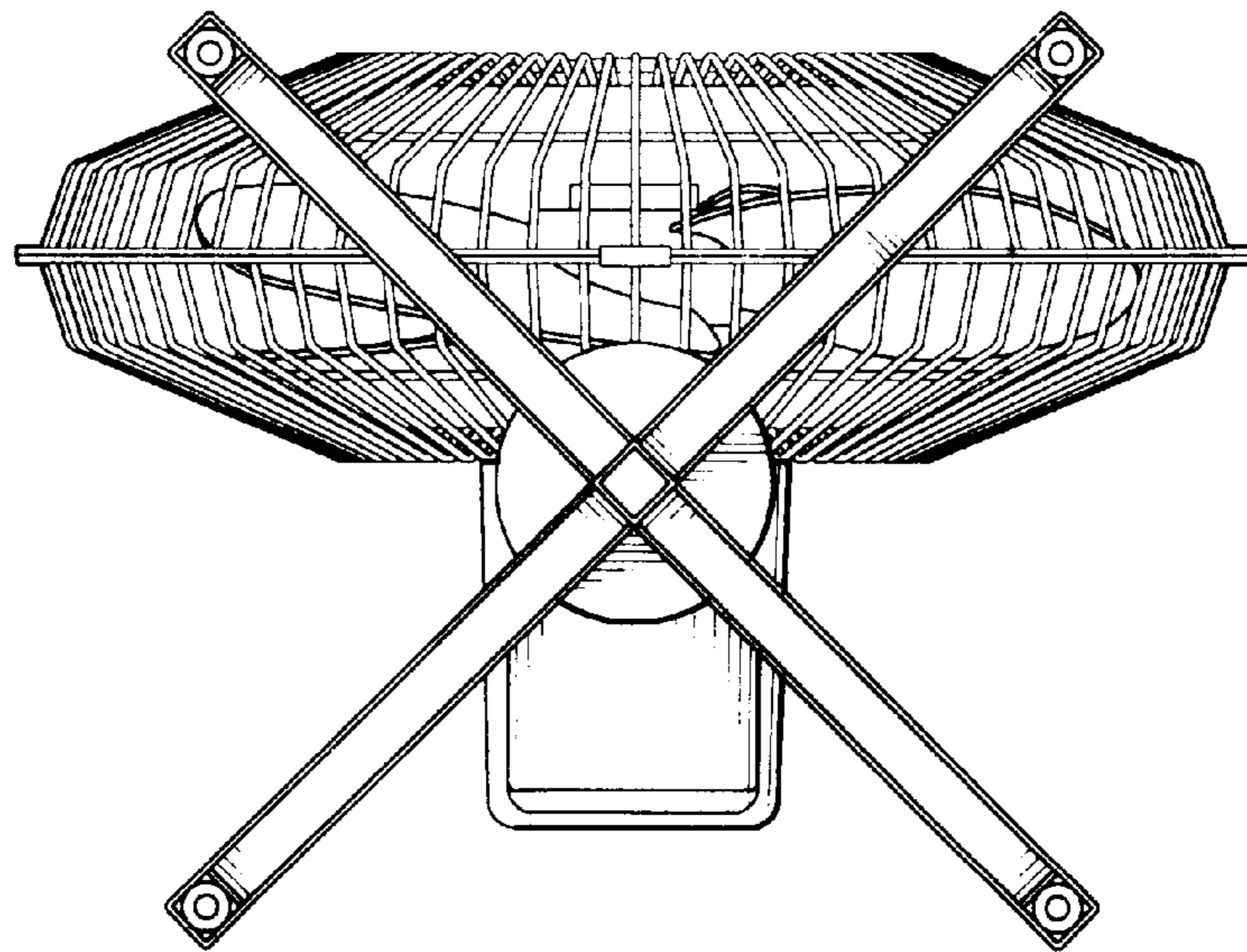


FIG. 7