



US00D426630S

**United States Patent** [19]  
**Gajewski**

[11] **Patent Number: Des. 426,630**  
[45] **Date of Patent: \*\* Jun. 13, 2000**

[54] **COMBINED CEILING FAN AND FAN CAGE**

[75] Inventor: **Mark Gajewski**, Culver City, Calif.

[73] Assignee: **Minka Lighting, Inc.**, Corona, Calif.

[\*\*] Term: **14 Years**

[21] Appl. No.: **29/104,917**

[22] Filed: **May 1, 1999**

[51] **LOC (7) Cl.** ..... **23-04**

[52] **U.S. Cl.** ..... **D23/377; D23/379**

[58] **Field of Search** ..... **D23/377, 379, D23/385, 411, 413; 416/5, 247 R**

[56] **References Cited**

**U.S. PATENT DOCUMENTS**

D. 133,120 7/1942 Spear ..... D23/377  
4,657,485 4/1987 Hartwig ..... 416/5

*Primary Examiner*—Lisa Lichtenstein  
*Attorney, Agent, or Firm*—Jenkins & Gilchrist, P.C.

[57] **CLAIM**

The ornamental design for the combined ceiling fan and fan cage, as shown and described.

**DESCRIPTION**

FIG. 1 is a perspective view of a combined ceiling fan and fan cage in accordance with my design;

FIG. 2 is a top plan view of the combined ceiling fan and fan cage in accordance with my design, with the front located at the lower portion of the figure;

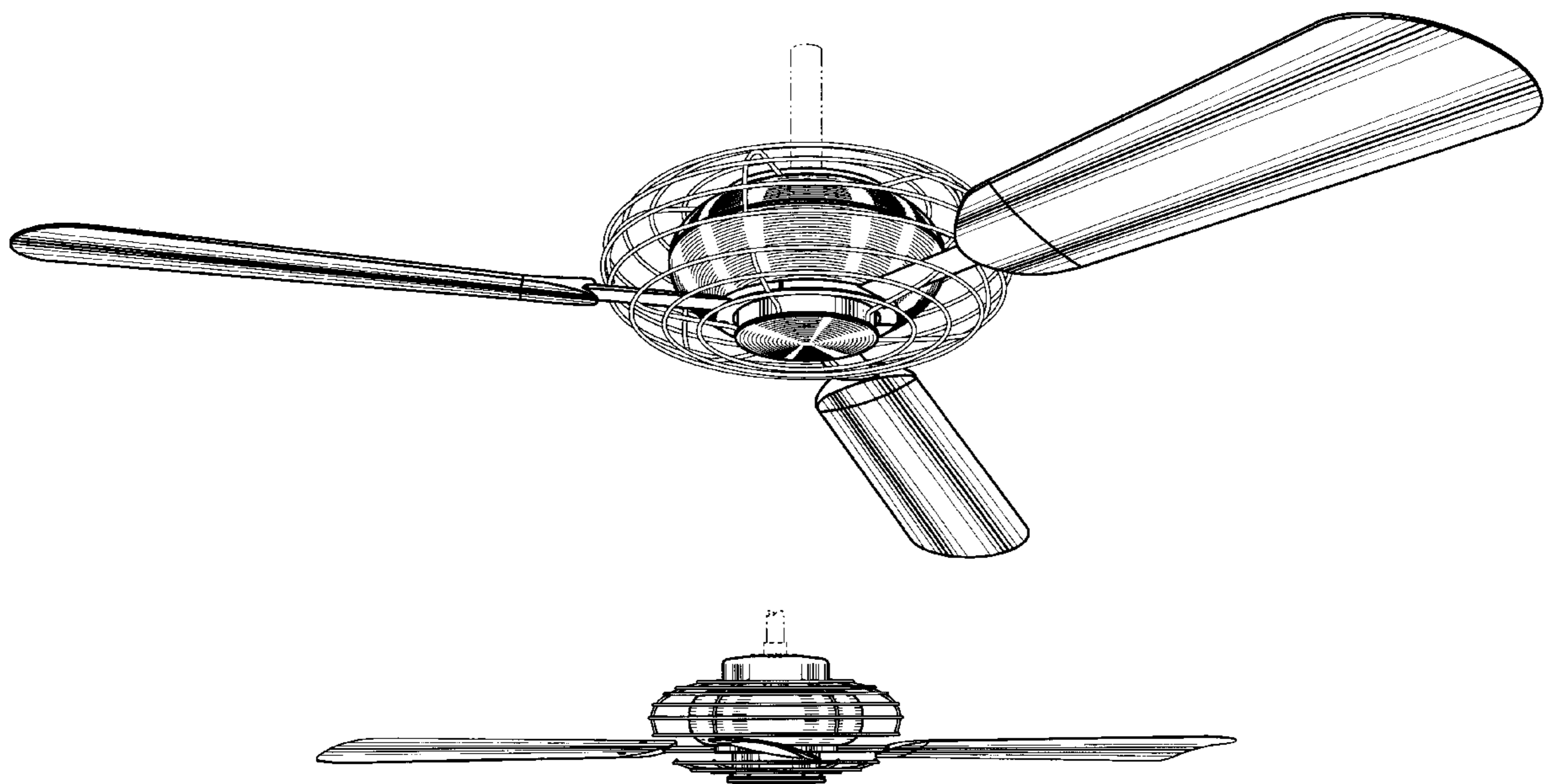
FIG. 3 is a front side elevational view of the combined ceiling fan and fan cage in accordance with my design;

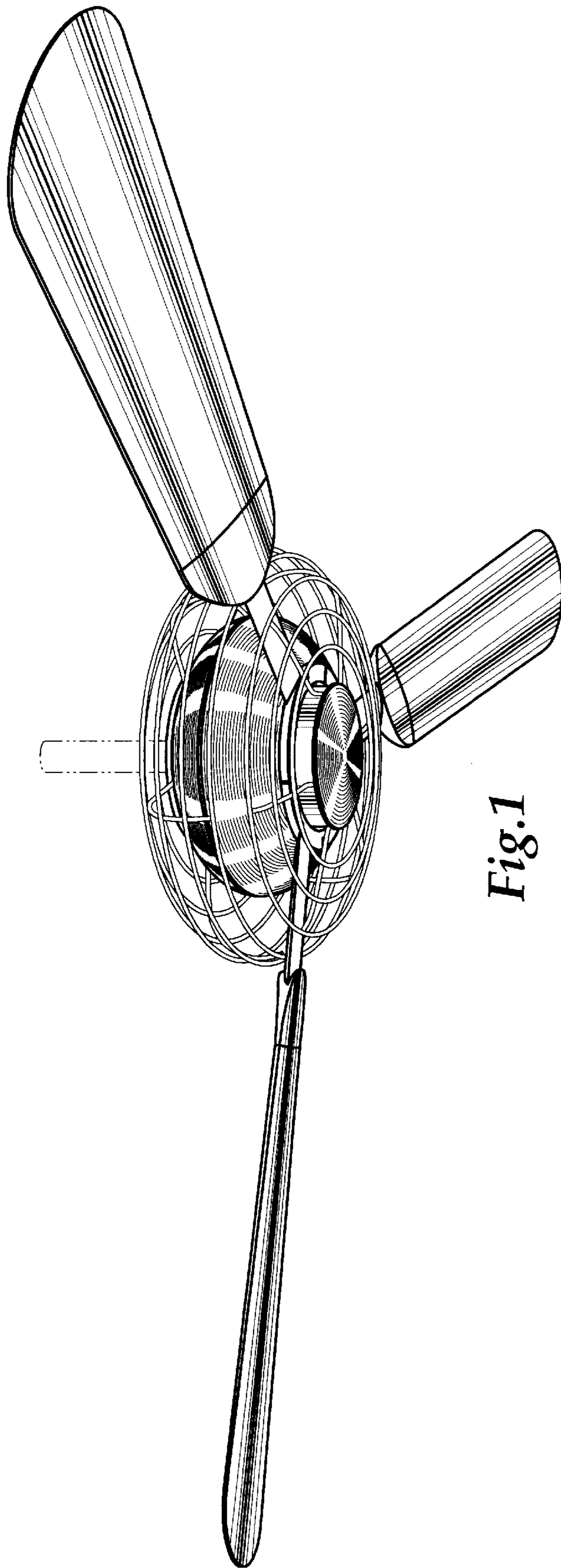
FIG. 4 is a bottom plan view of the combined ceiling fan and fan cage in accordance with my design, with the front located at the upper portion of the figure; and,

FIG. 5 is a right side elevational view of the combined ceiling fan and fan cage in accordance with my design, the left side being a mirror image thereof.

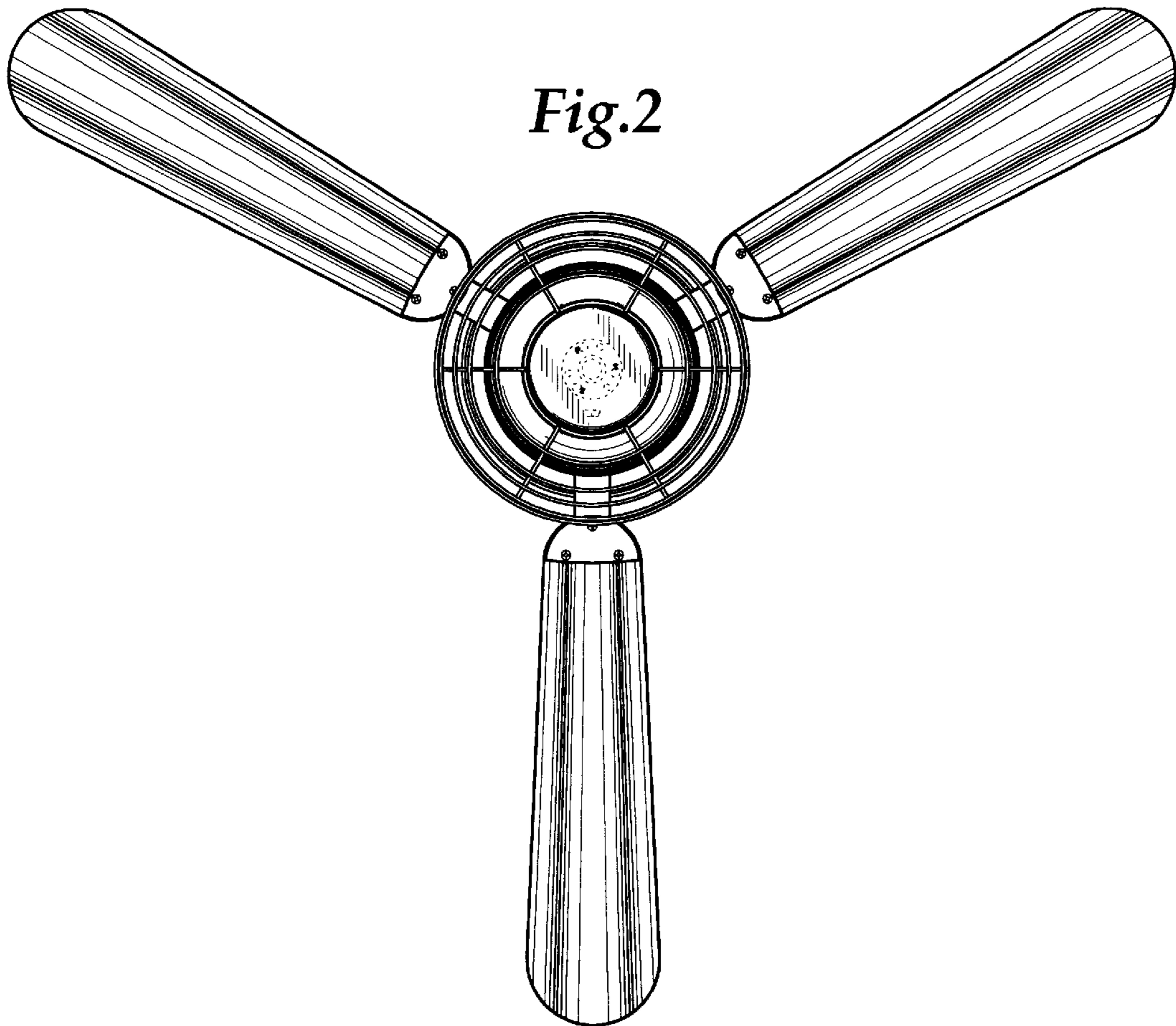
The broken lines show the environment in which the article is used and are not considered part of the design claimed.

**1 Claim, 3 Drawing Sheets**

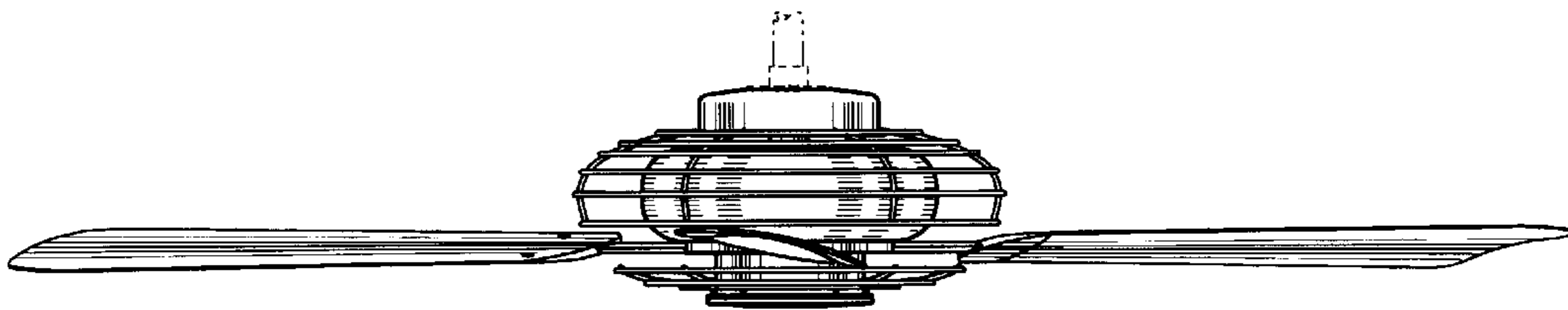




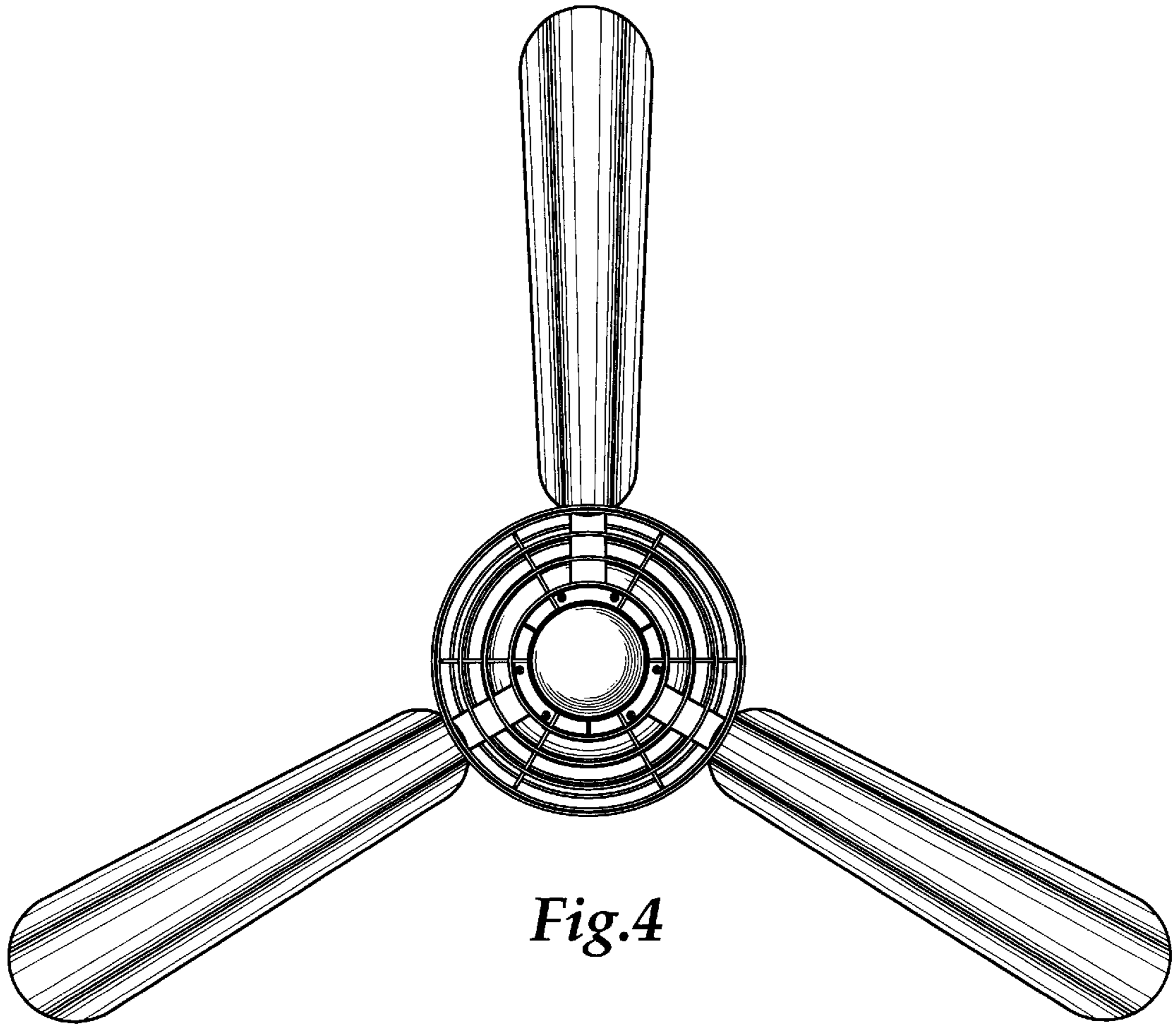
*Fig. 1*



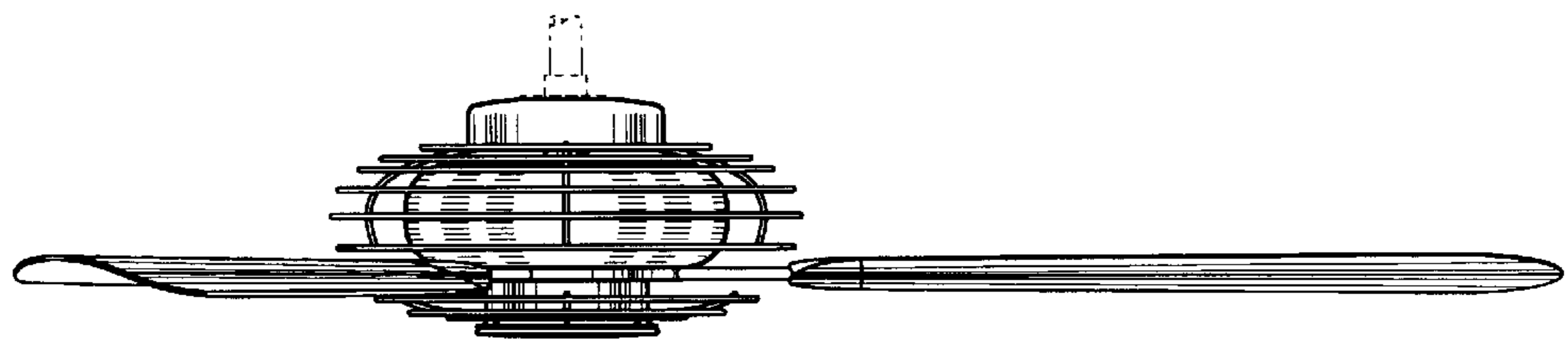
*Fig.2*



*Fig.3*



*Fig.4*



*Fig.5*

UNITED STATES PATENT AND TRADEMARK OFFICE  
**CERTIFICATE OF CORRECTION**

PATENT NO. : Des. 426,630  
DATED : Jun. 13, 2000  
INVENTOR(S) : Mark Gajewski

It is certified that error appears in the above-identified patent and that said Letters Patent is hereby corrected as shown below:

Title page, item [22],

The filing date of "**May 1, 1999**" should be reflected as -- **May 10, 1999** -- .

Signed and Sealed this  
Tenth Day of April, 2001



NICHOLAS P. GODICI

*Attest:*

*Attesting Officer*

*Acting Director of the United States Patent and Trademark Office*