



US00D426629S

United States Patent [19]
LaSpina et al.

[11] **Patent Number: Des. 426,629**
[45] **Date of Patent: ** Jun. 13, 2000**

[54] **CEILING FAN**

D. 376,198 12/1996 Jaspers-Fayer et al. D23/411

[75] Inventors: **Alfred J. LaSpina**, Methuen, Mass.;
Stephen M. Gatchell, Warwick, R.I.

[73] Assignee: **Honeywell Inc.**, Minneapolis, Minn.

[**] Term: **14 Years**

[21] Appl. No.: **29/090,725**

[22] Filed: **Jul. 15, 1998**

Related U.S. Application Data

[63] Continuation-in-part of application No. 29/086,947, Apr. 23, 1998.

[51] **LOC (7) Cl.** **23-04**

[52] **U.S. Cl.** **D23/377; D23/379; D23/385**

[58] **Field of Search** **D23/377, 379, D23/385, 411, 413; 416/5; 392/364; 362/96; D26/59**

[56] **References Cited**

U.S. PATENT DOCUMENTS

D. 355,028 1/1995 Tsuji D23/377

OTHER PUBLICATIONS

Sonica Fan Innovations Inc. Cat., p. 3, Ceiling Fan (A), bottom right side of page, 1996–1997.

Primary Examiner—Lisa Lichtenstein
Attorney, Agent, or Firm—Robert B. Leonard

[57] **CLAIM**

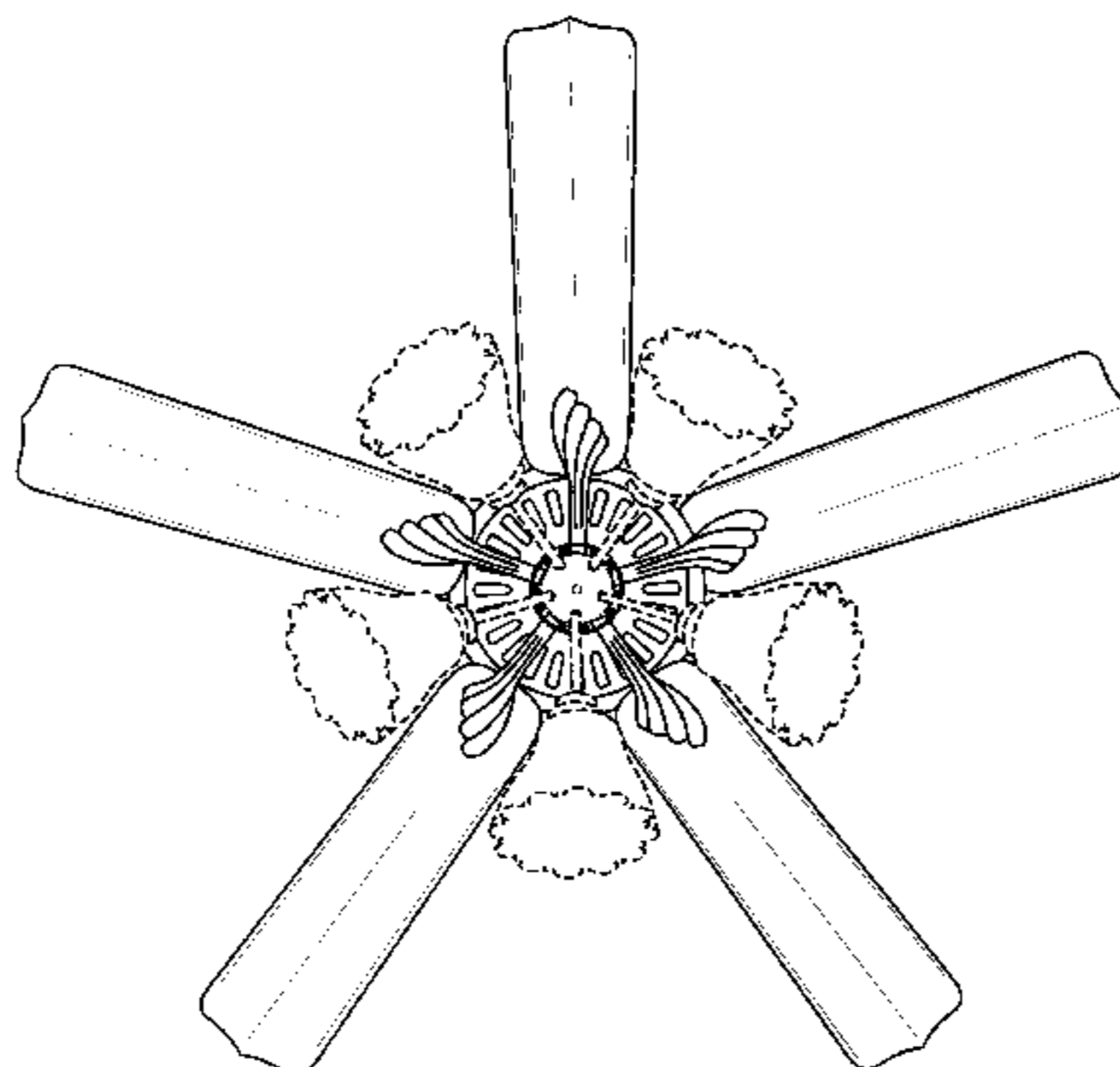
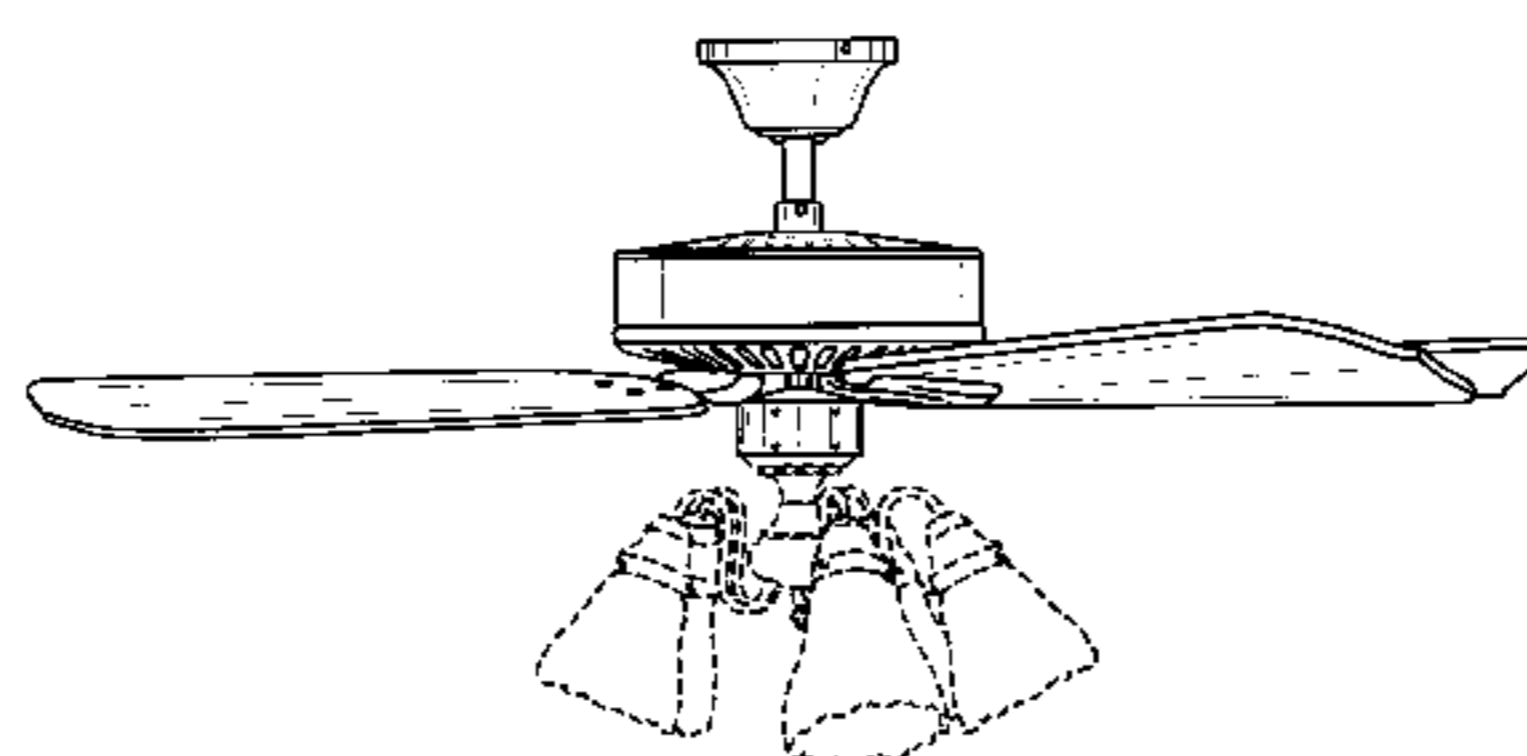
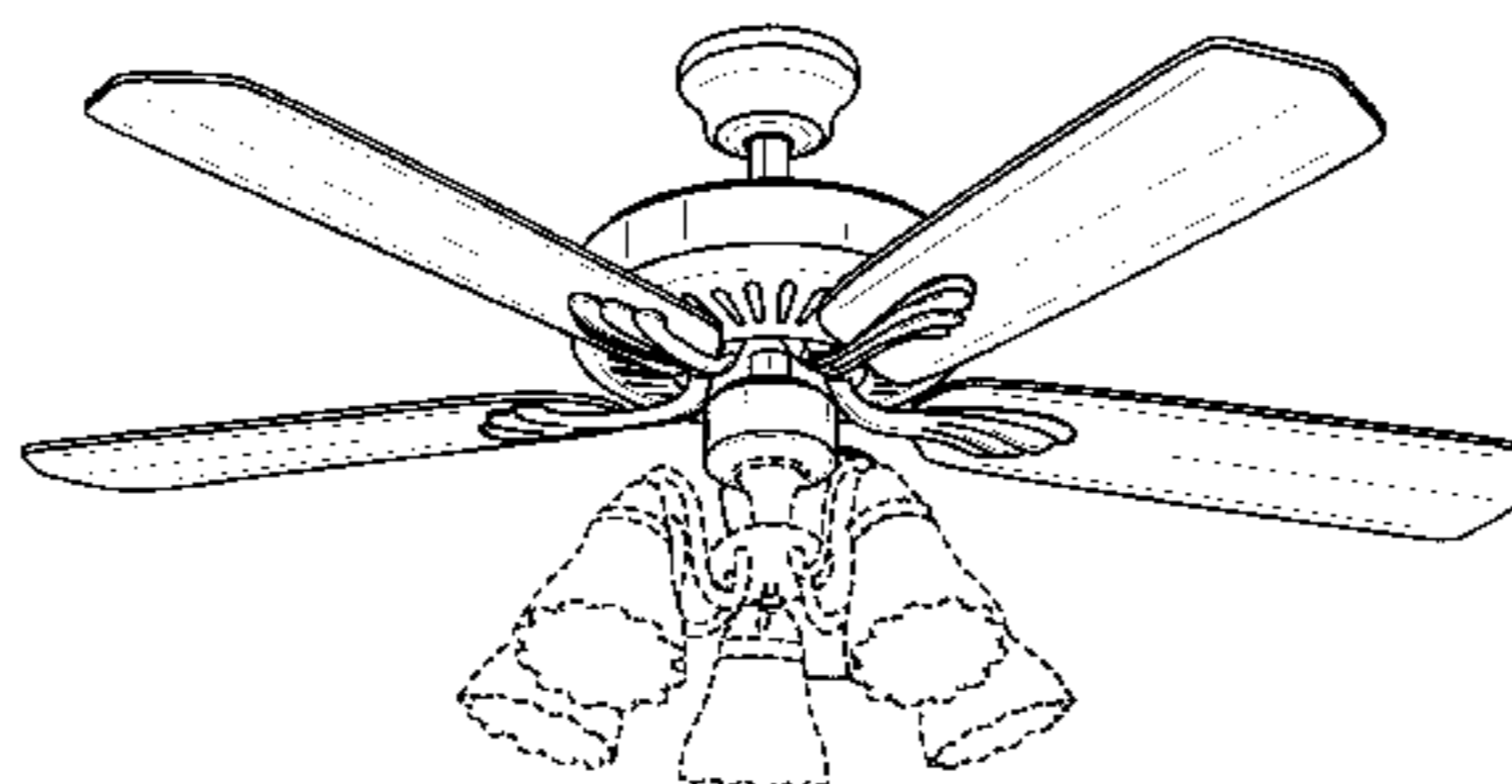
The ornamental design for a ceiling fan, as shown and described.

DESCRIPTION

FIG. 1 is a perspective view of a ceiling fan.
FIG. 2 is a front elevational view of the ceiling fan described in FIG. 1, the opposite and adjacent sides being substantially mirror images of the front elevational view.
FIG. 3 is a top plan view of the ceiling fan described in FIG. 1; and,
FIG. 4 is a bottom plan view of the ceiling fan described in FIG. 1.

The broken line showing of environmental structure in FIGS. 1–4 is for illustrative purposes only and forms no part of the claimed design.

1 Claim, 3 Drawing Sheets



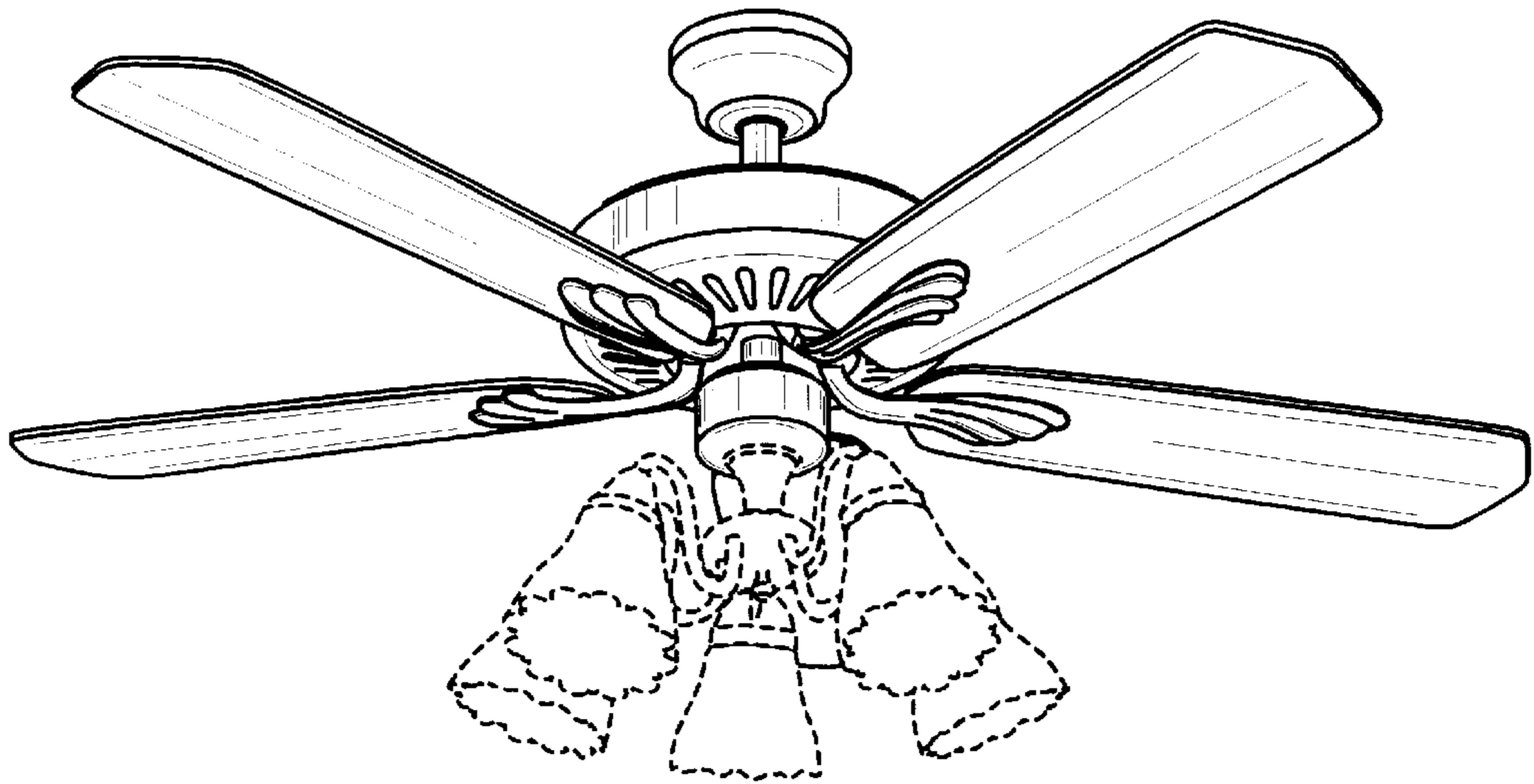


FIG. 1

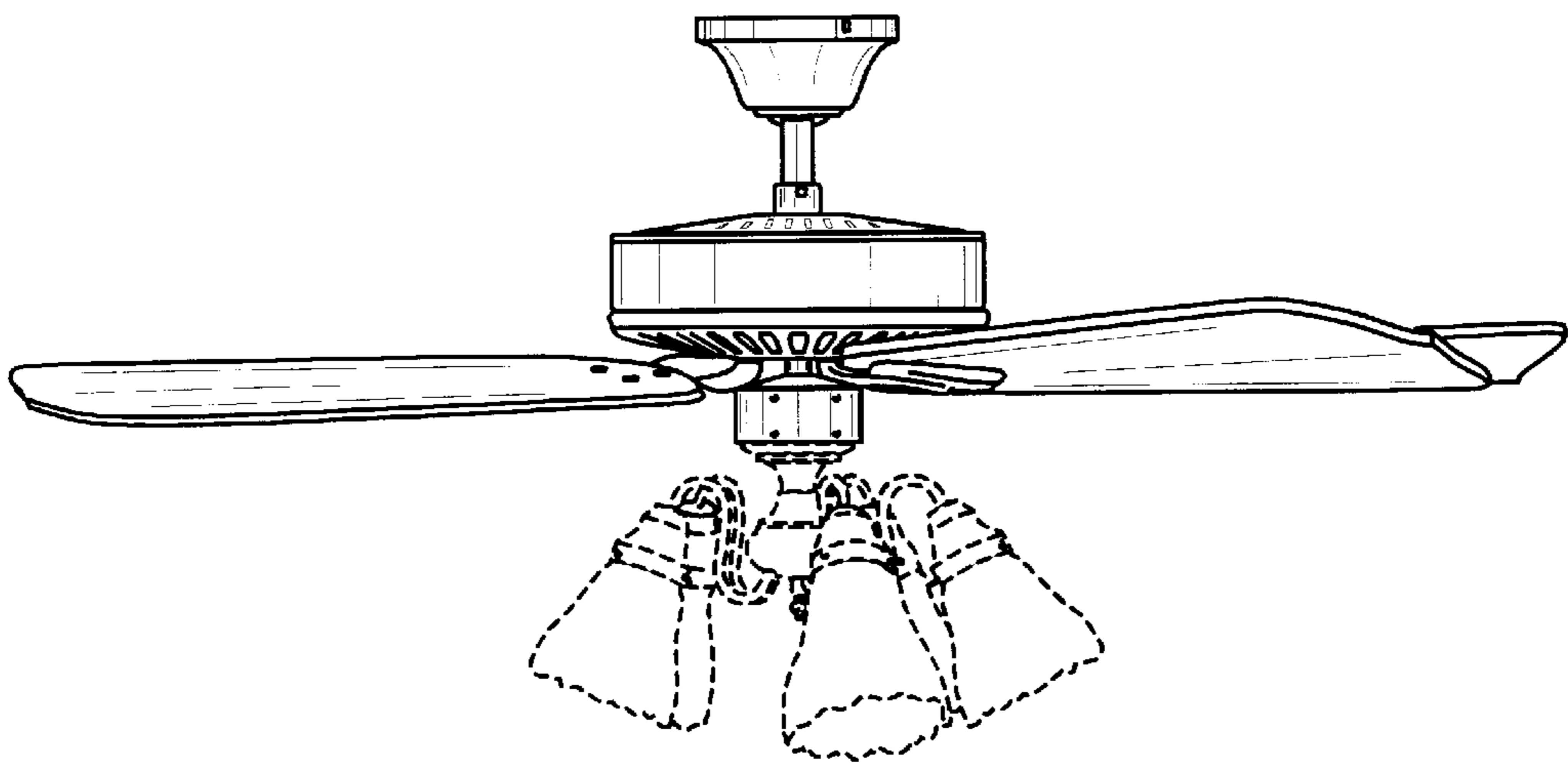


FIG. 2

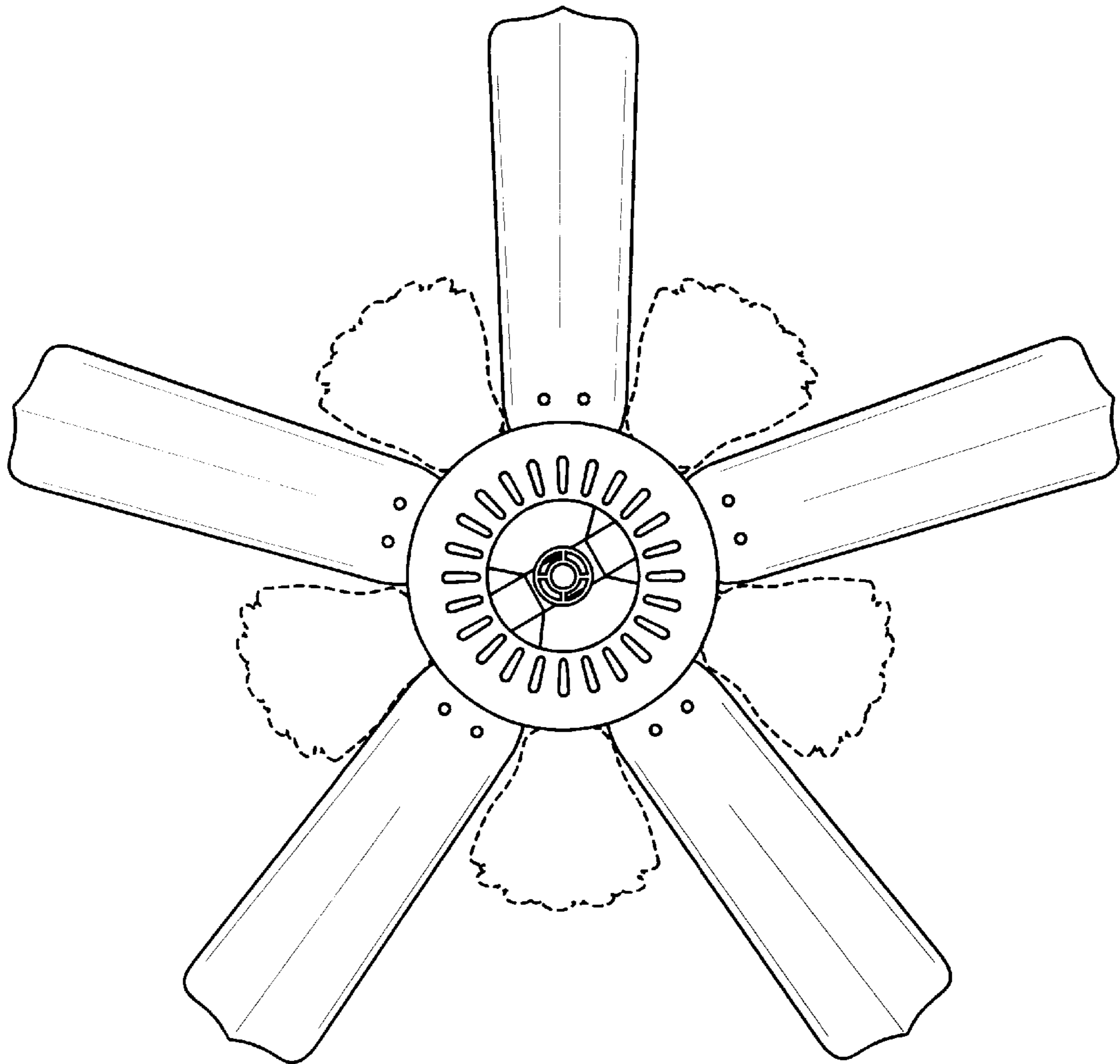


FIG. 3

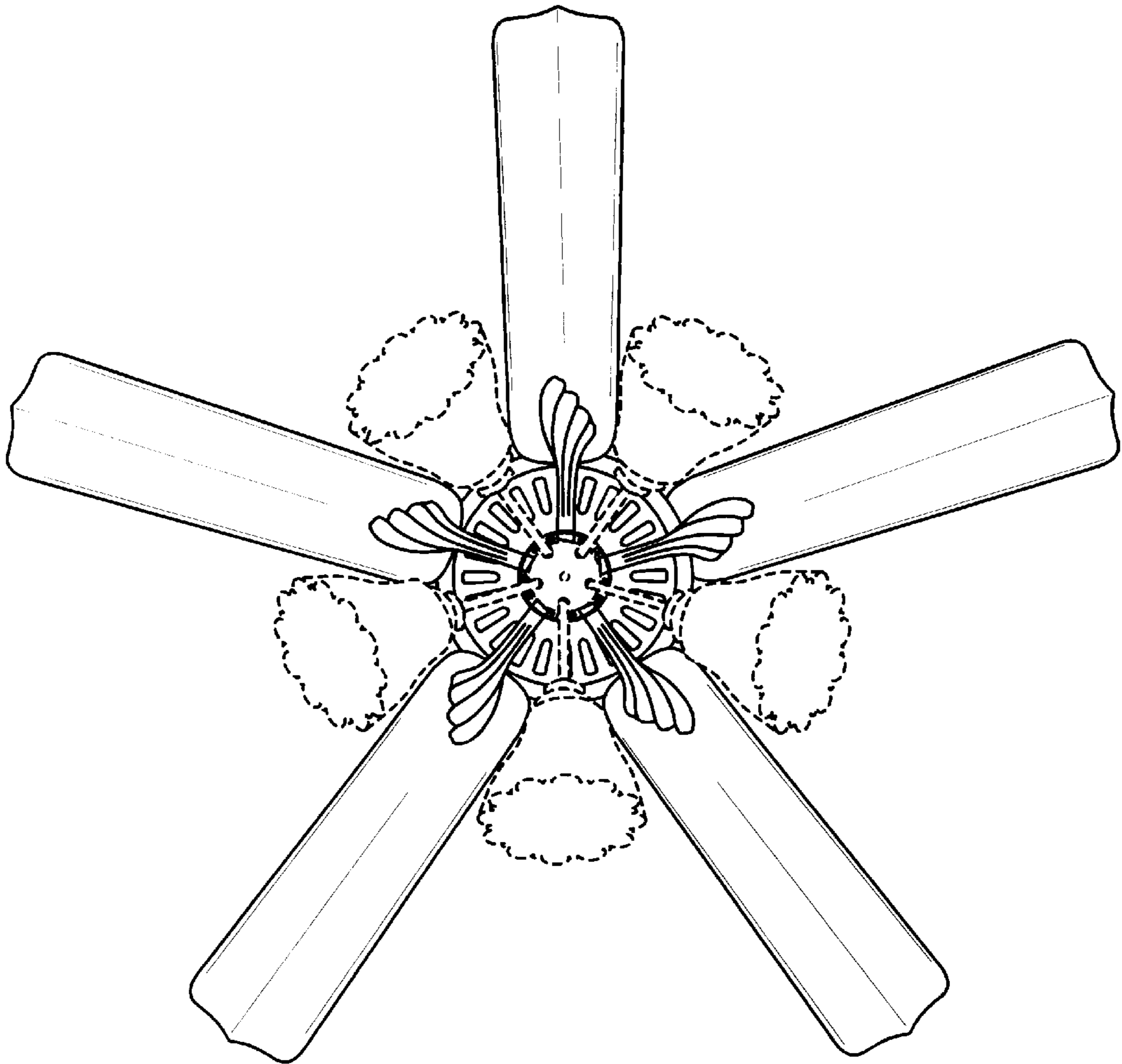


FIG. 4