



US00D426627S

United States Patent [19] Cho

[11] **Patent Number: Des. 426,627**

[45] **Date of Patent: ** Jun. 13, 2000**

[54] **OZONE GENERATOR FOR AN
AUTOMOBILE**

4,664,312 5/1987 Bryson 239/59
5,603,455 2/1997 Lin 239/44

[75] Inventor: **Soo Hwan Cho**, Seoul, Rep. of Korea

Primary Examiner—Lisa Lichtenstein
Attorney, Agent, or Firm—Jacobson, Price, Holman &
Stern, PLLC

[73] Assignee: **Dong Woo Tech Co., Ltd.**,
Kyungki-do, Rep. of Korea

[**] Term: **14 Years**

[57] **CLAIM**

The ornamental design for an ozone generator for an auto-
mobile, as shown and described.

[21] Appl. No.: **29/082,555**

[22] Filed: **Jan. 26, 1998**

[30] **Foreign Application Priority Data**

Jul. 24, 1997 [KR] Rep. of Korea 97-15608

[51] **LOC (7) Cl.** **23-04**

[52] **U.S. Cl.** **D23/355; D23/366**

[58] **Field of Search** D23/355, 366-369;
239/34, 57-59, 53; 261/DIG. 65

DESCRIPTION

FIG. 1 is a front perspective view;
FIG. 2 is a front view on a reduced scale;
FIG. 3 is a right side view on a reduced scale;
FIG. 4 is a left side view on a reduced scale;
FIG. 5 is a top plan view on a reduced scale;
FIG. 6 is a bottom plan view on a reduced scale; and,
FIG. 7 is a rear perspective view on a reduced scale shown
in use.

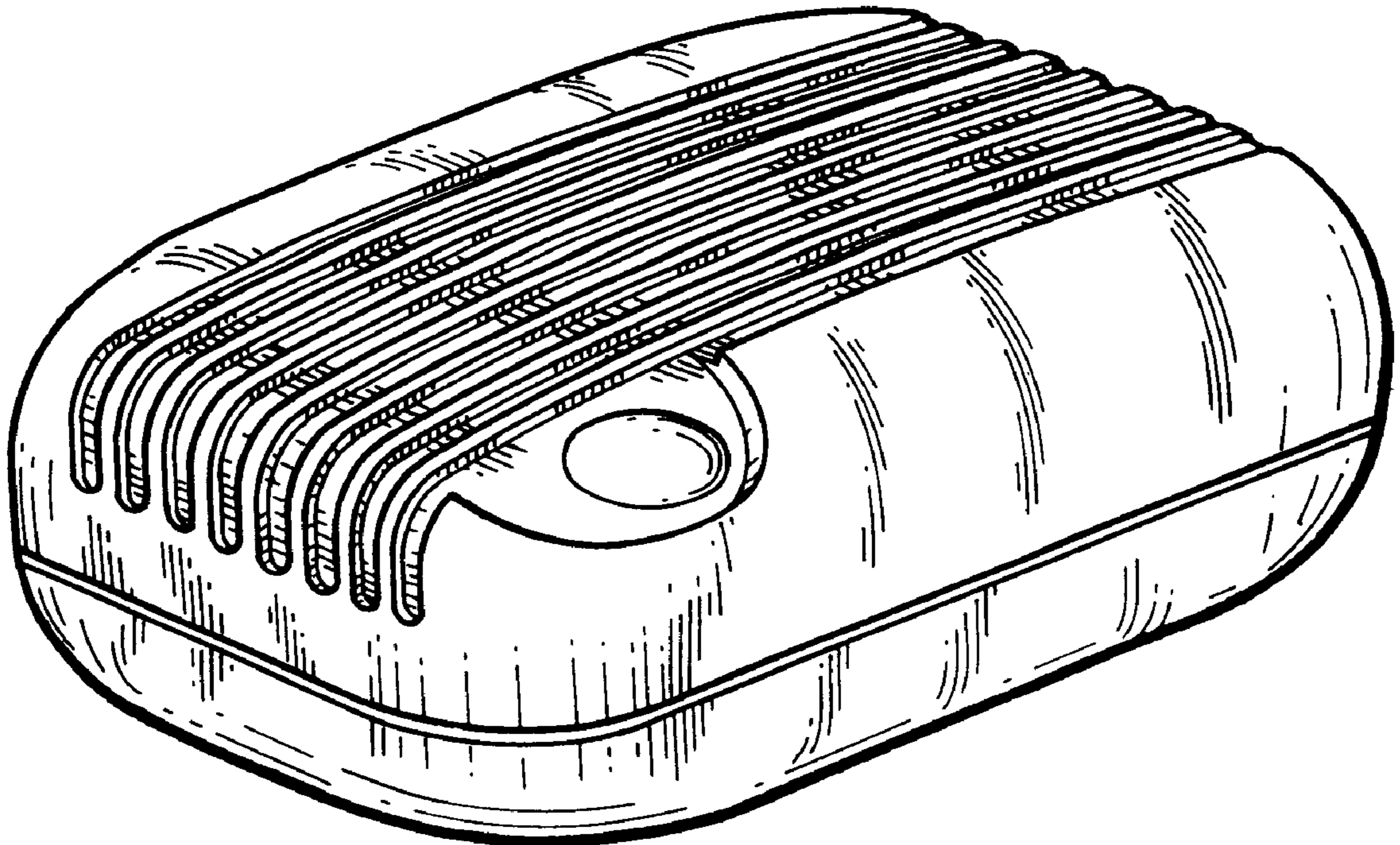
The broken line showing of environmental structure in FIG.
7 is for illustrative purposes only and forms no part of the
claimed design.

[56] **References Cited**

U.S. PATENT DOCUMENTS

4,523,870 6/1985 Spector 239/55

1 Claim, 2 Drawing Sheets



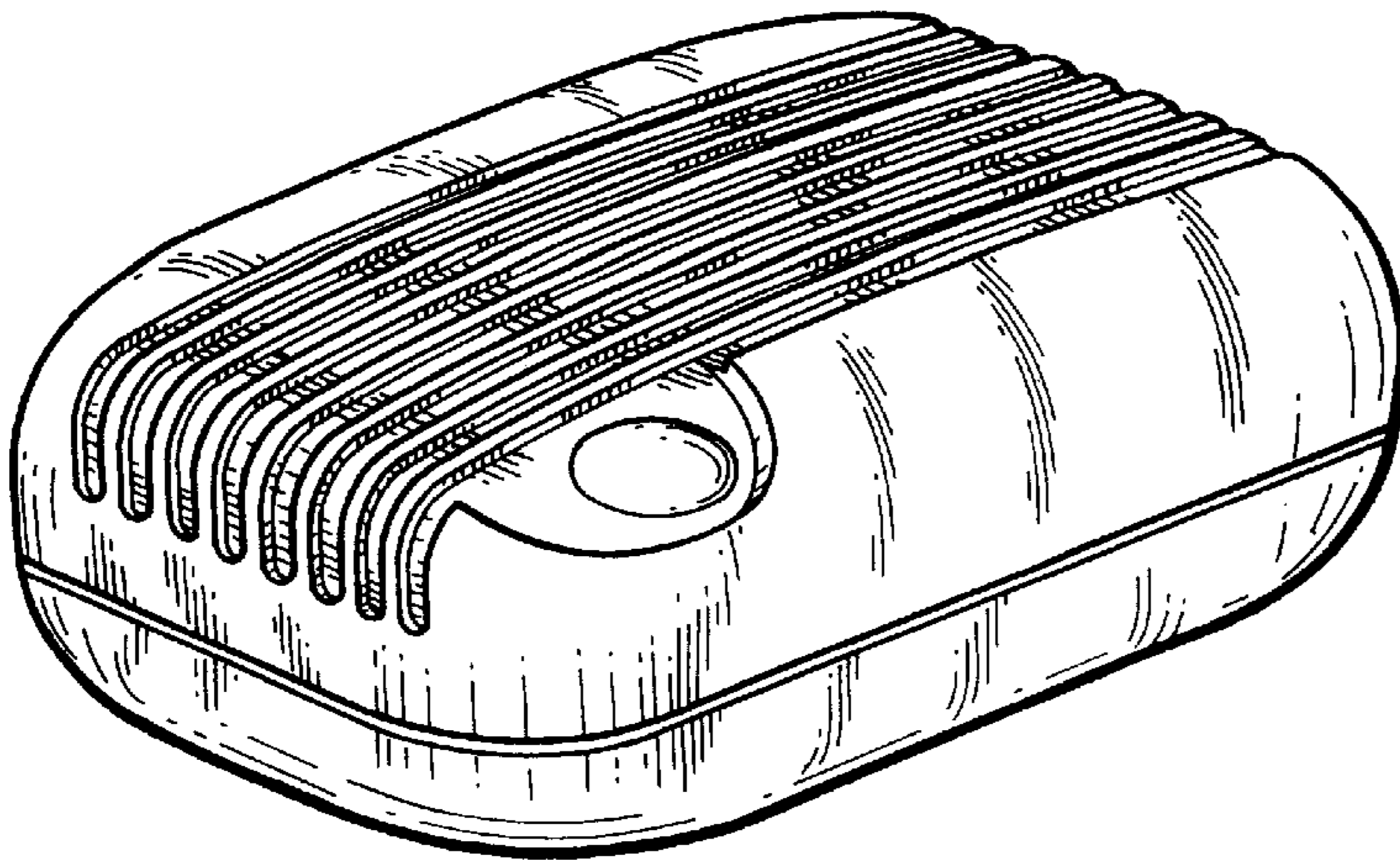


FIG. 1

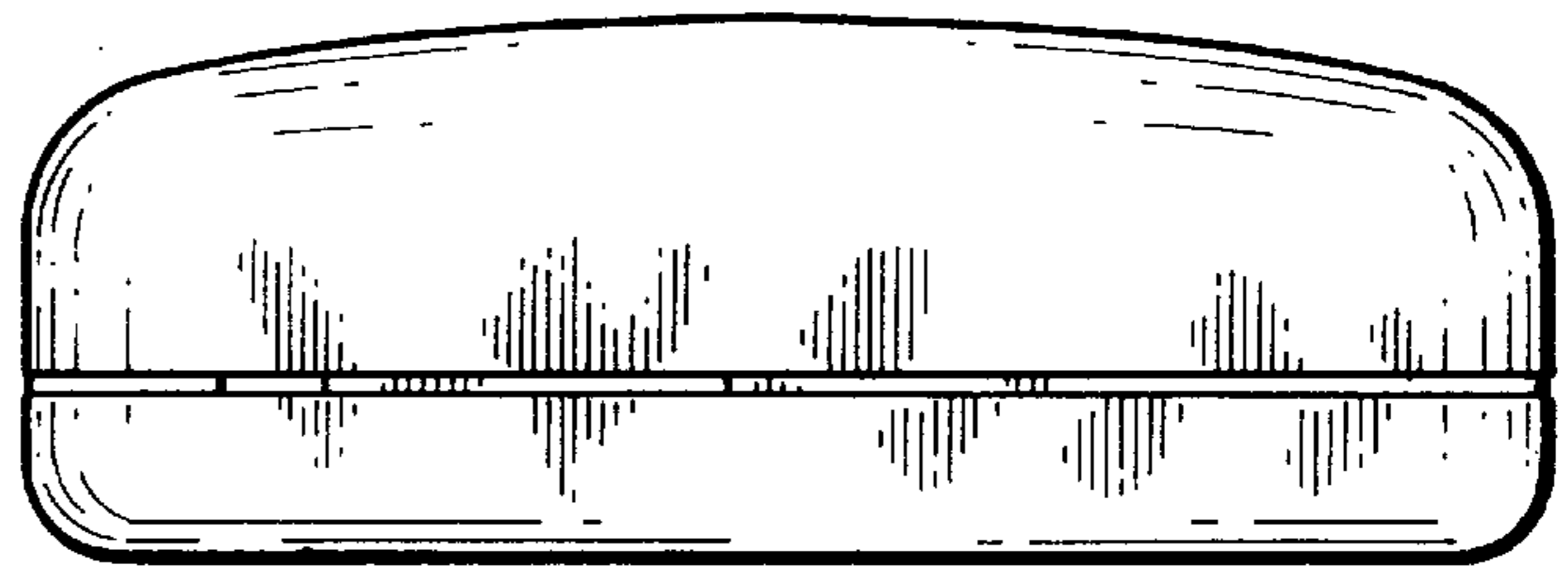


FIG. 2

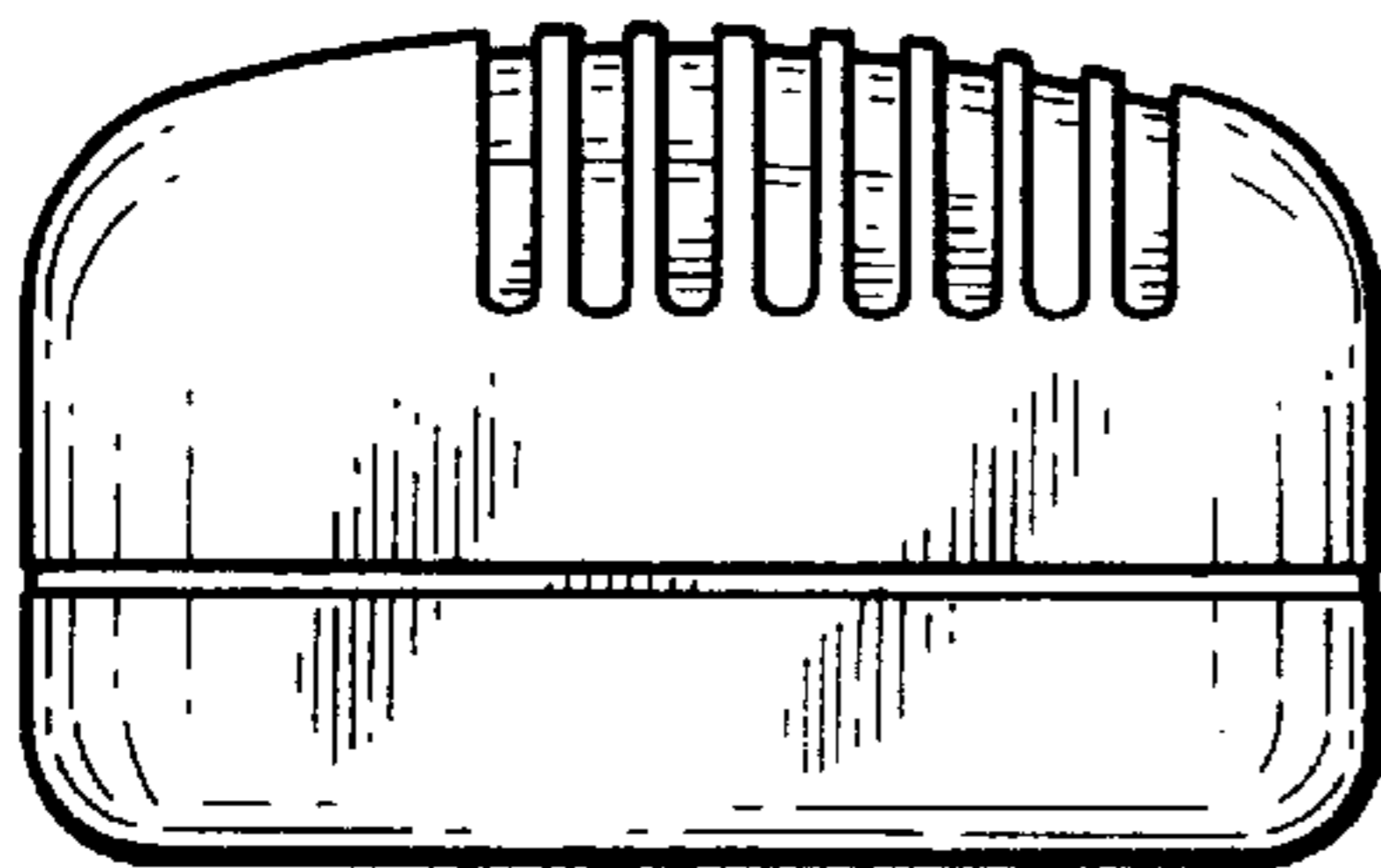


FIG. 3

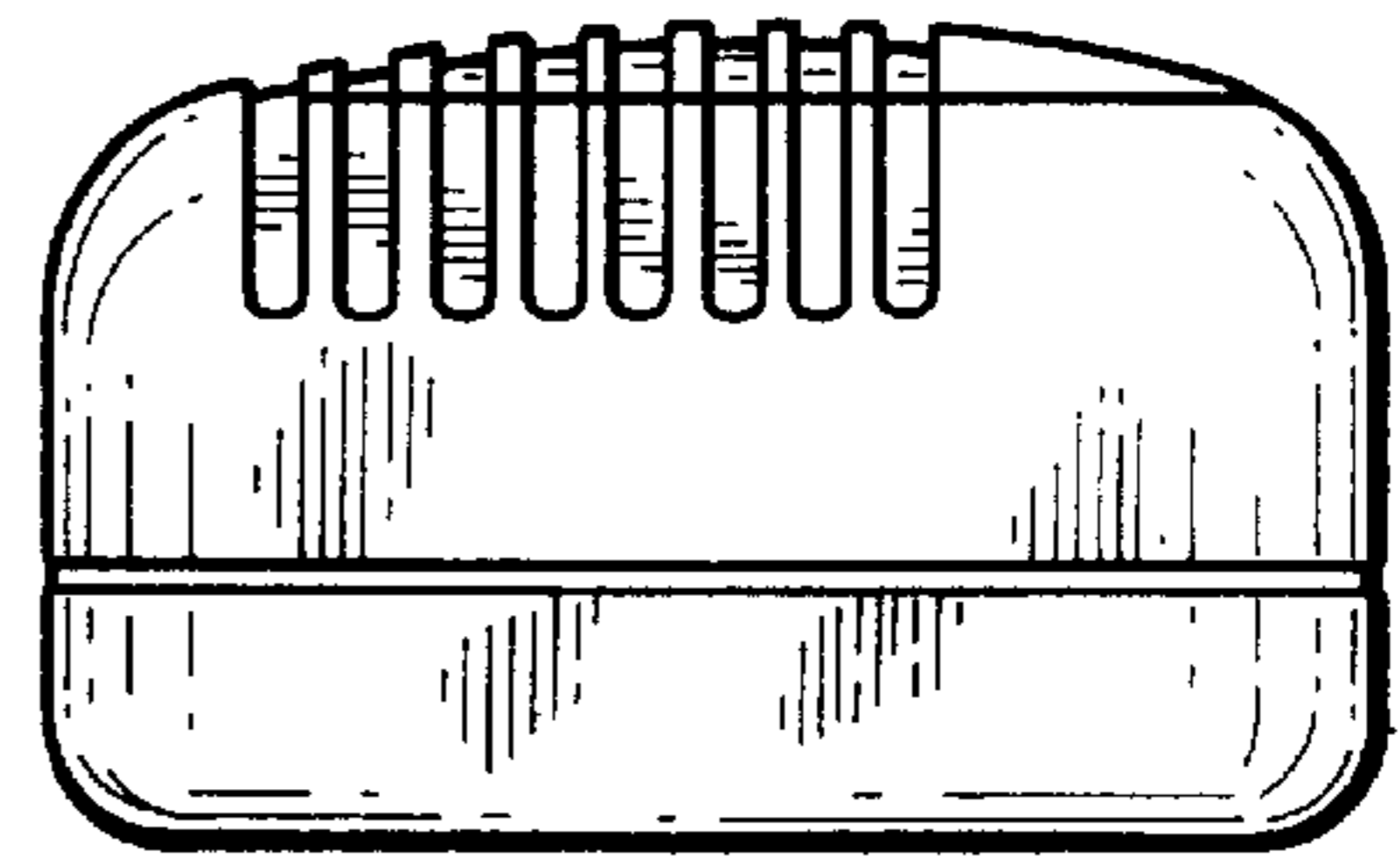


FIG. 4

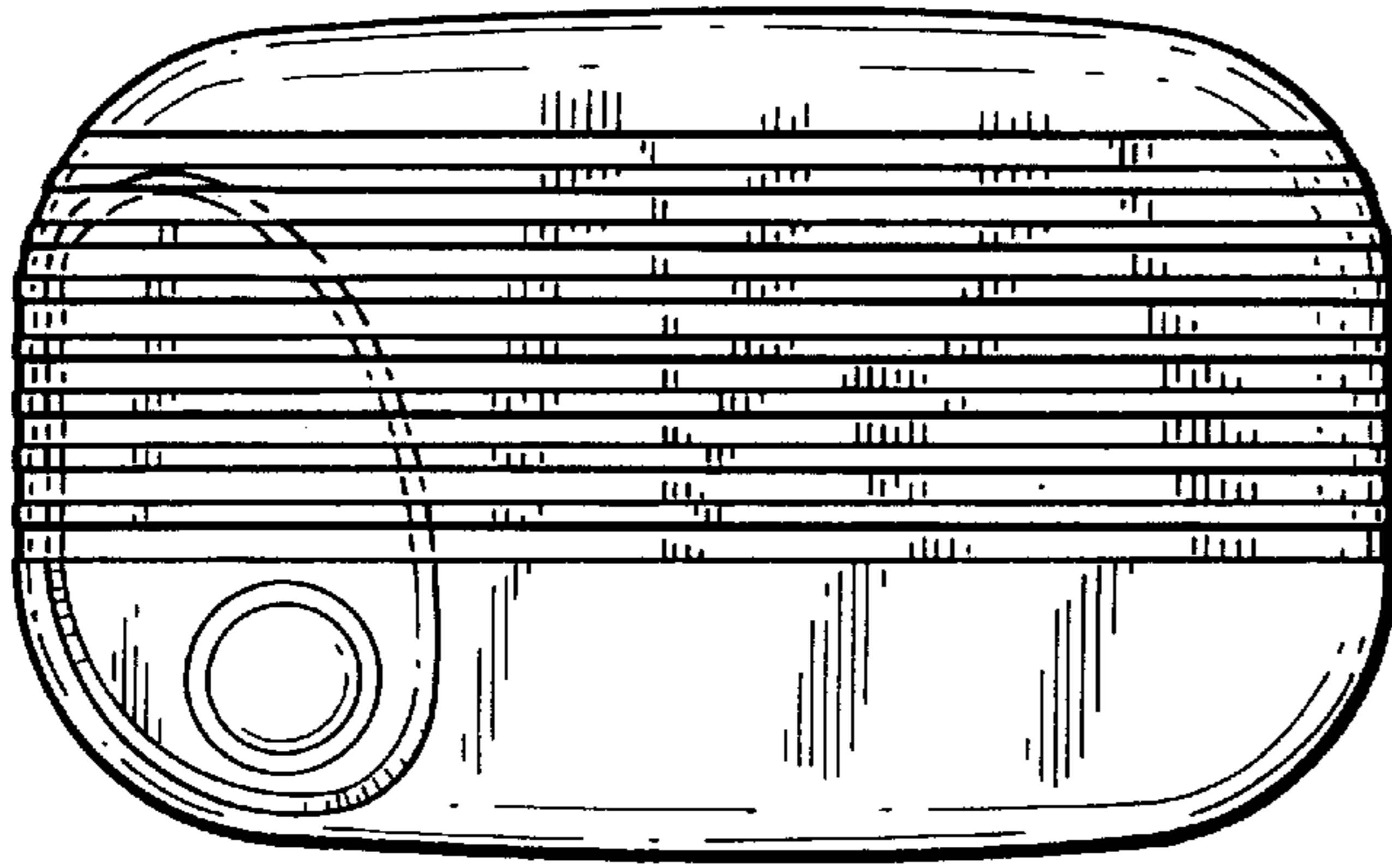


FIG. 5

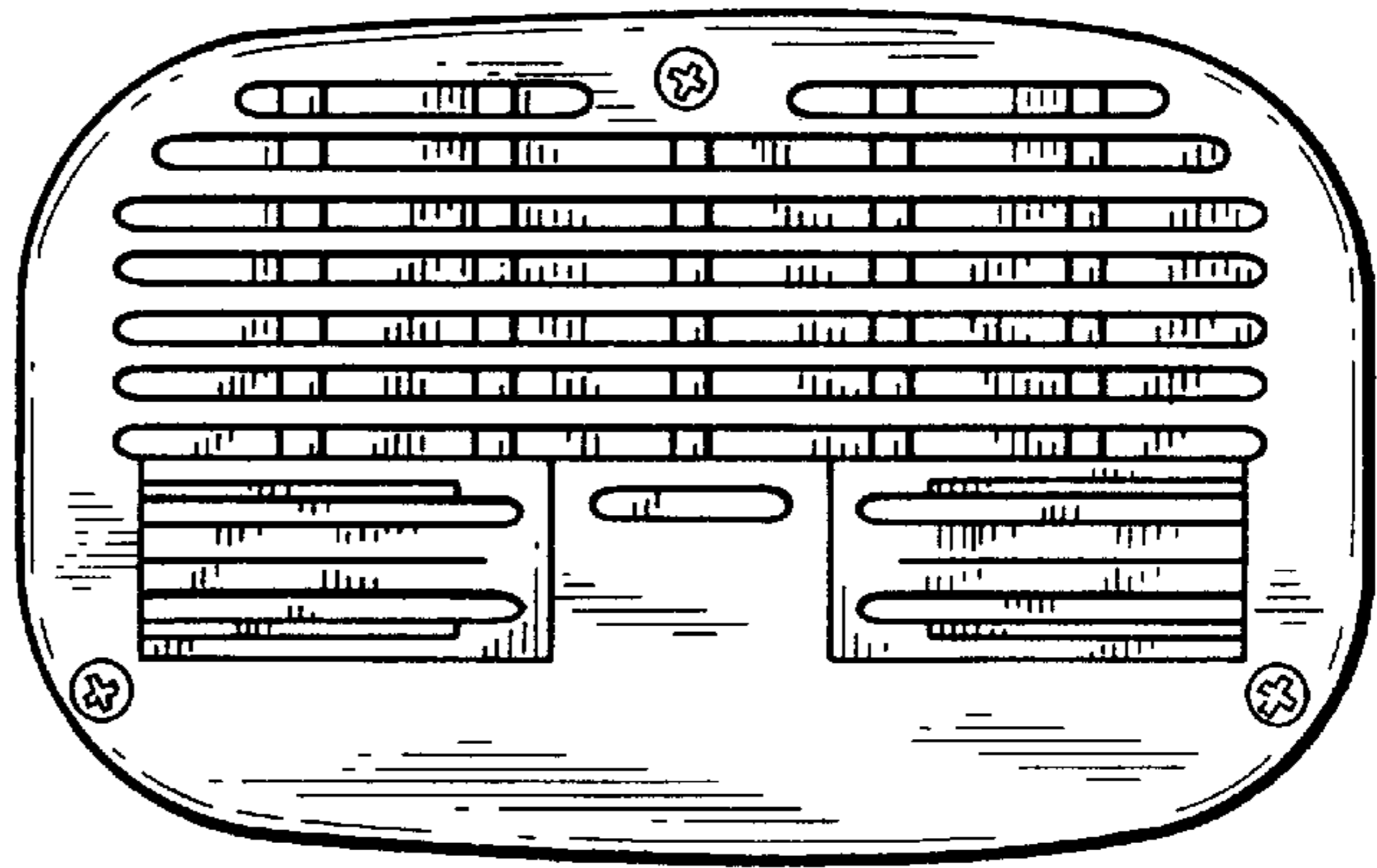


FIG. 6

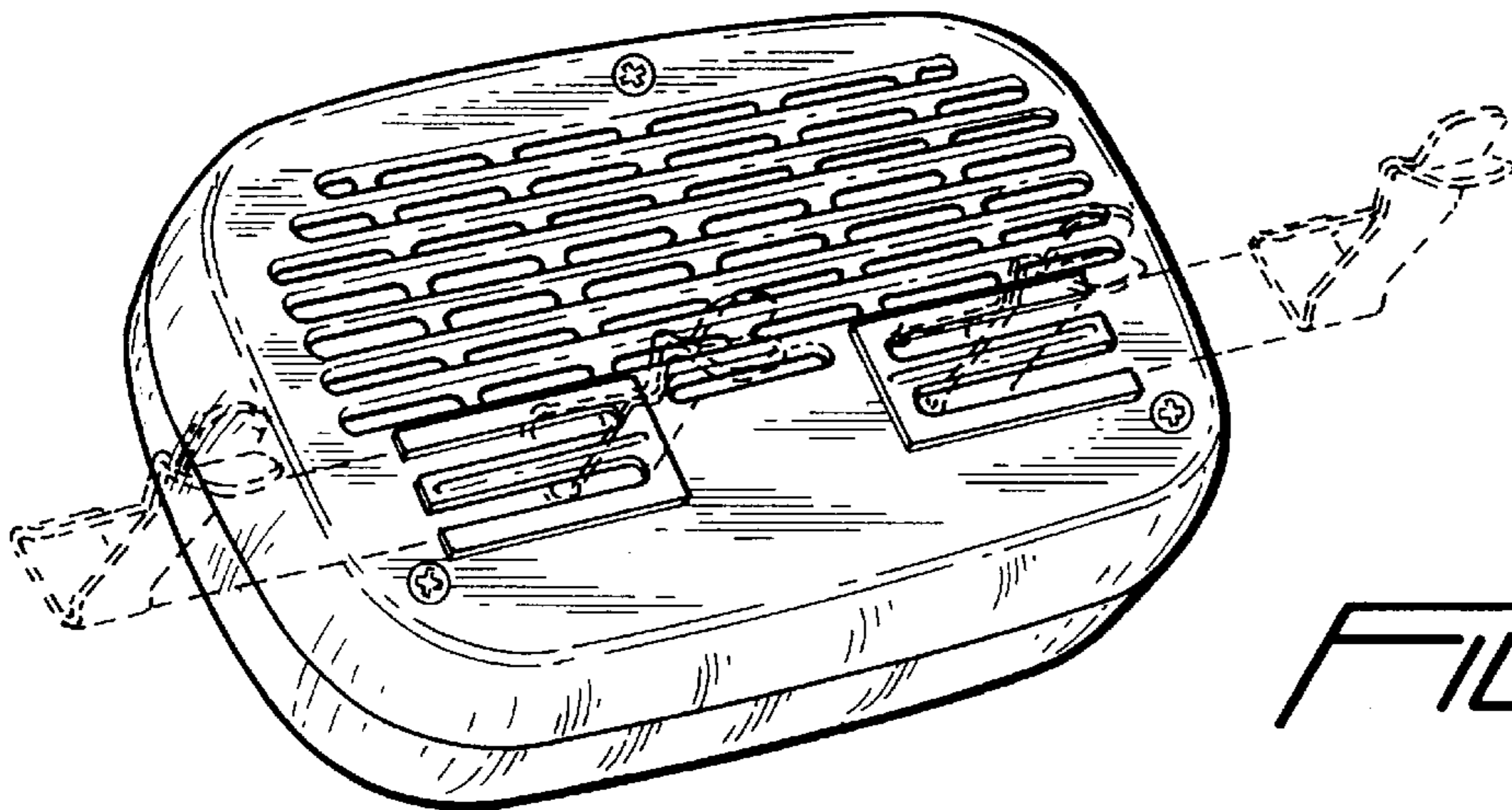


FIG. 7