



US00D426624S

United States Patent [19]

Kohler, Jr. et al.

[11] **Patent Number: Des. 426,624**

[45] **Date of Patent: ** Jun. 13, 2000**

[54] **SINK**

[75] Inventors: **Herbert V. Kohler, Jr.**, Kohler; **David J. O'Connell**, Sheboygan; **Mary J. Reid**, Sheboygan; **Erich D. Slothower**, Sheboygan; **Carl F. Mueller**, Sheboygan Falls; **Mark Johansen**; **John F. Quella**, both of Kohler, all of Wis.; **Mark H. Lowery**, Judsonia; **Robert L. Jackson**, Searcy, both of Ark.

[73] Assignee: **Kohler Co.**, Kohler, Wis.

[**] Term: **14 Years**

[21] Appl. No.: **29/103,138**

[22] Filed: **Apr. 8, 1999**

[51] **LOC (7) Cl.** **23-02**

[52] **U.S. Cl.** **D23/290**

[58] **Field of Search** D23/284-293.1,
D23/308; 4/619, 625-659

[56] **References Cited**

U.S. PATENT DOCUMENTS

D. 258,439	3/1981	Gray	D15/9.2
D. 322,842	12/1991	Jung et al.	D23/287
D. 322,845	12/1991	Gocke et al.	D23/287
D. 324,903	3/1992	Sauter et al.	D23/287
2,889,559	6/1959	Lyon, Jr.	4/653
3,235,886	2/1966	Scharmer	4/637
3,427,665	2/1969	Kaiser	4/629

OTHER PUBLICATIONS

Undated Franke catalog ad showing a "Compact Nova" kitchen sink.

Undated Allia catalog ad showing a kitchen sink.

Undated Elkay catalog ad showing a double bowl-drain-board kitchen sink.

Primary Examiner—Eric Watterson
Attorney, Agent, or Firm—Quarles & Brady LLP

[57] **CLAIM**

The ornamental design for a sink, as shown and described.

DESCRIPTION

FIG. 1 is a right, top, front perspective view of a sink embodying our new design;

FIG. 2 is a top plan view thereof;

FIG. 3 is a front elevational view thereof, the rear elevational view being a mirror image of the front elevational view shown;

FIG. 4 is a right side elevational view thereof;

FIG. 5 is a left side elevational view thereof;

FIG. 6 is a cross-sectional view taken along line 6—6 of FIG. 2;

FIG. 7 is a cross-sectional view taken along line 7—7 of FIG. 2; and,

FIG. 8 is a left, top, front perspective view of a second embodiment, the top plan view being a mirror image of that shown in FIG. 2, the front elevational view being a mirror image of that shown in FIG. 3, the rear elevational view being identical to that shown in FIG. 3, the left side elevational view being a mirror image of that shown in FIG. 4, and the right side elevational view being a mirror image of that shown in FIG. 5.

The broken line representation of holes in FIGS. 1, 2, 7, and 8 is for the purpose of illustration only, and forms no part of the claimed design.

1 Claim, 5 Drawing Sheets

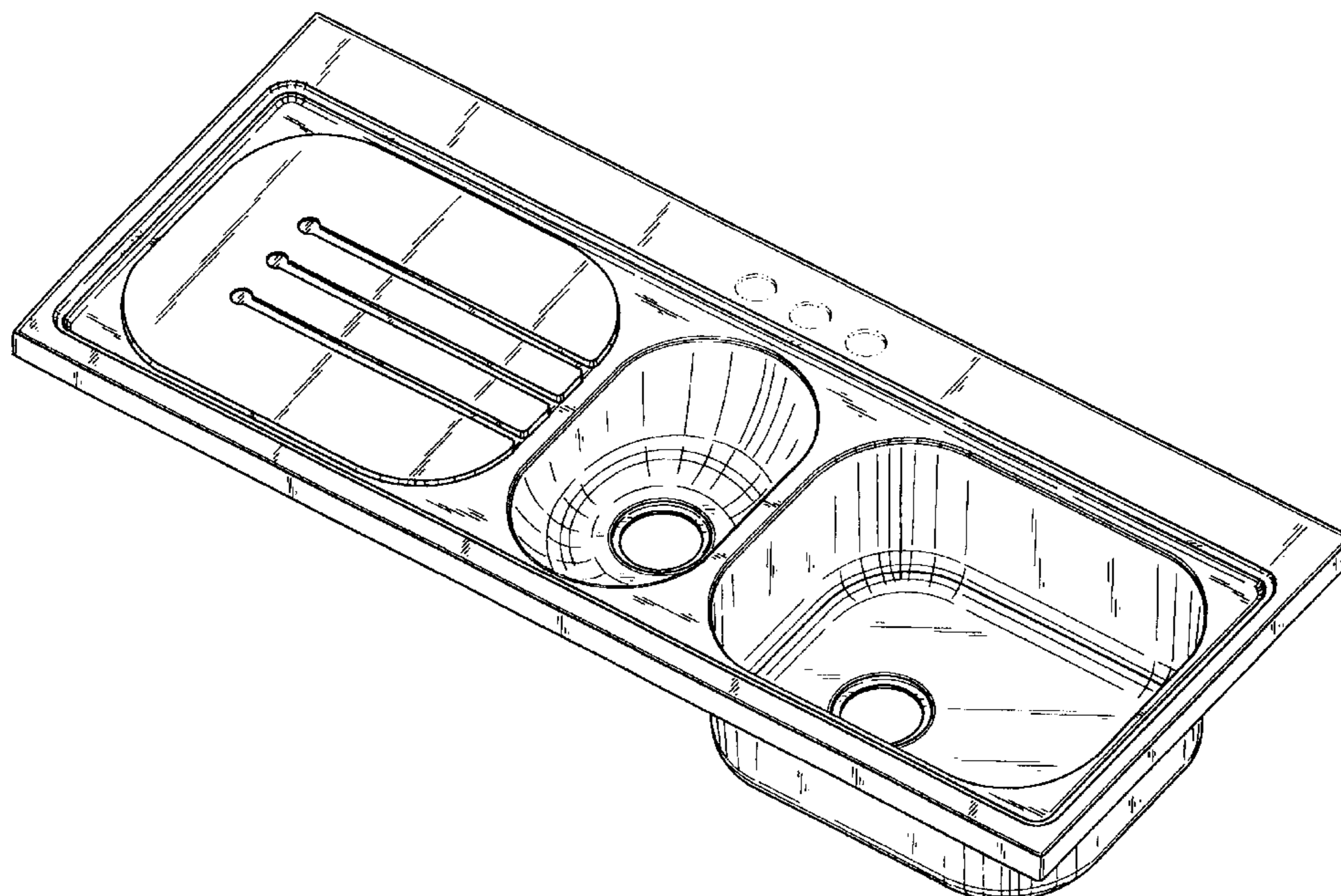


FIG. 1

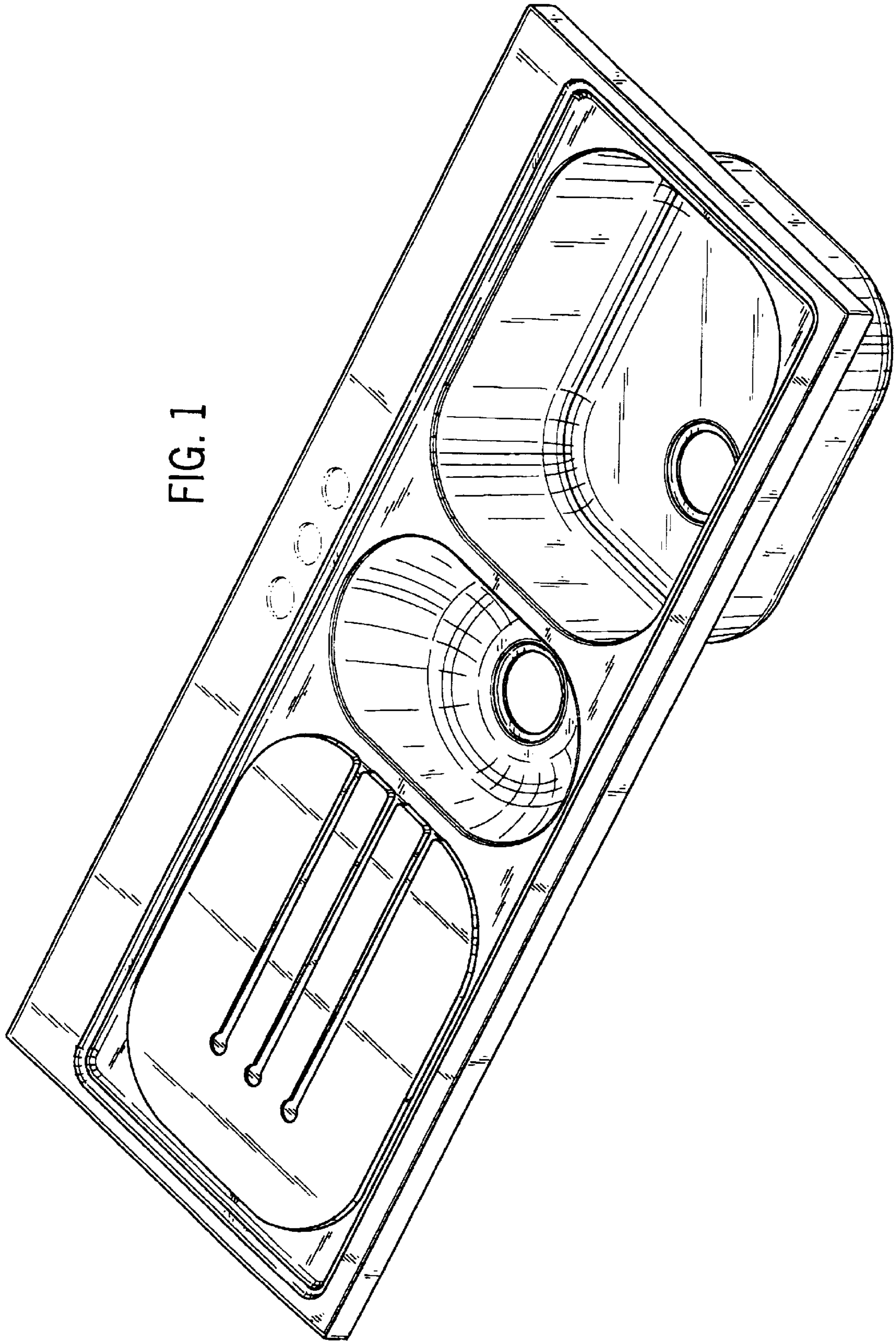


FIG. 2

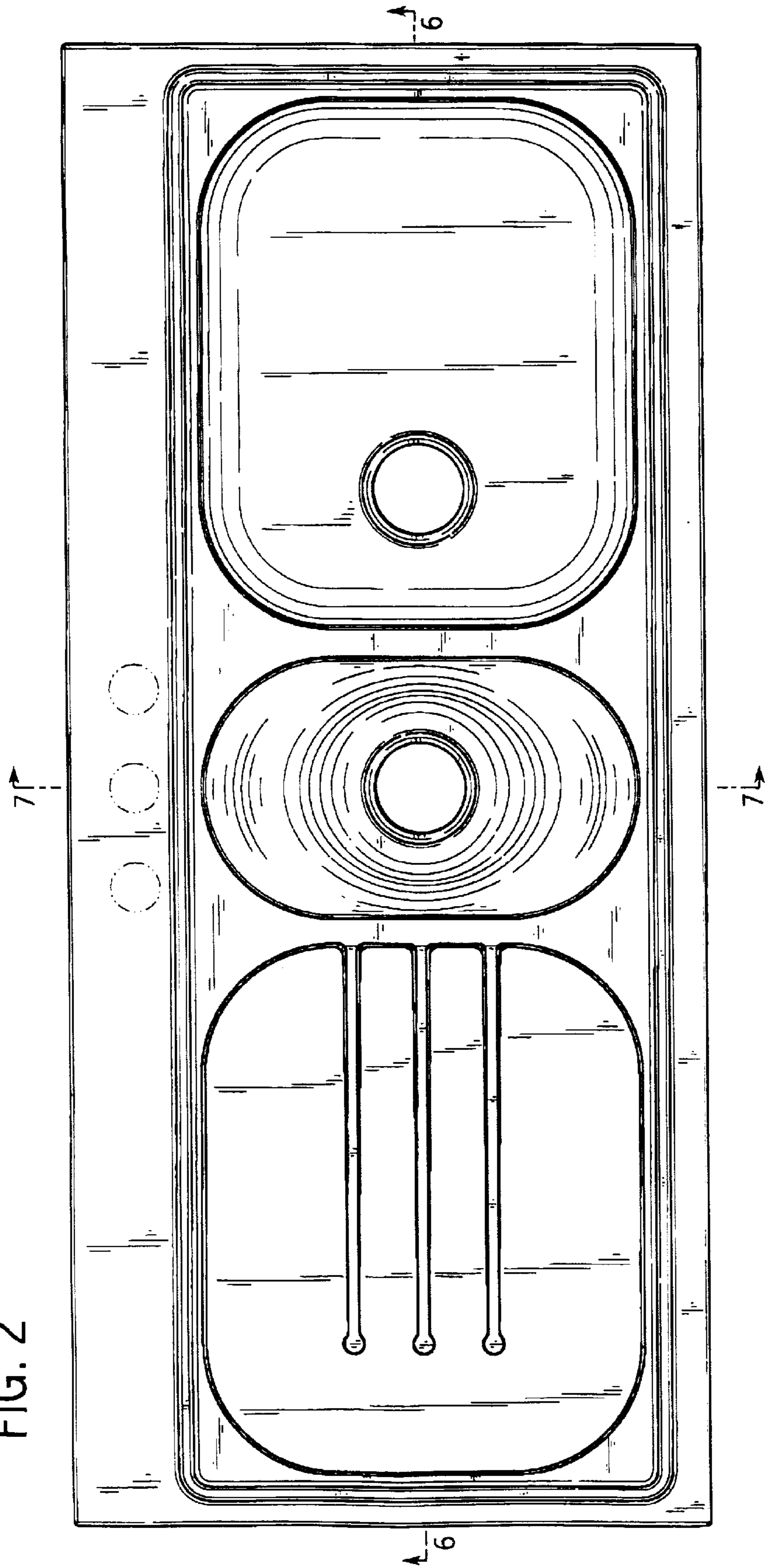


FIG. 3

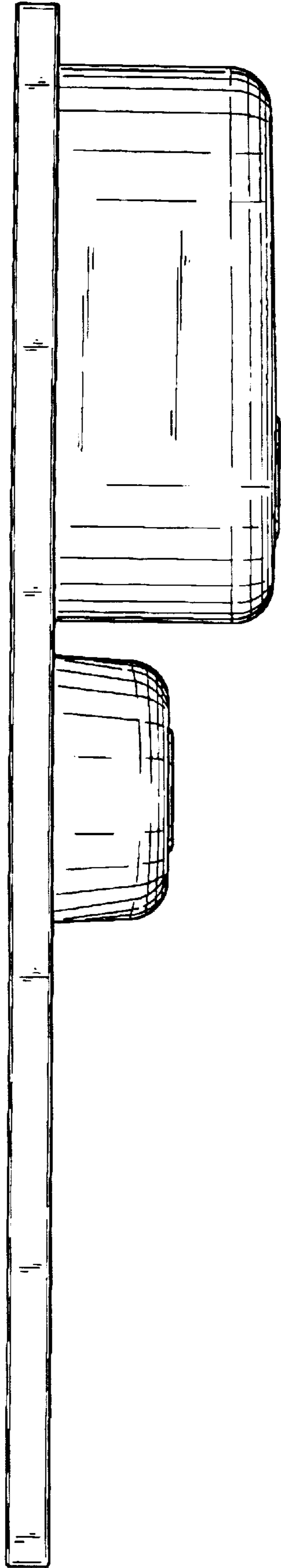


FIG. 4



FIG. 5

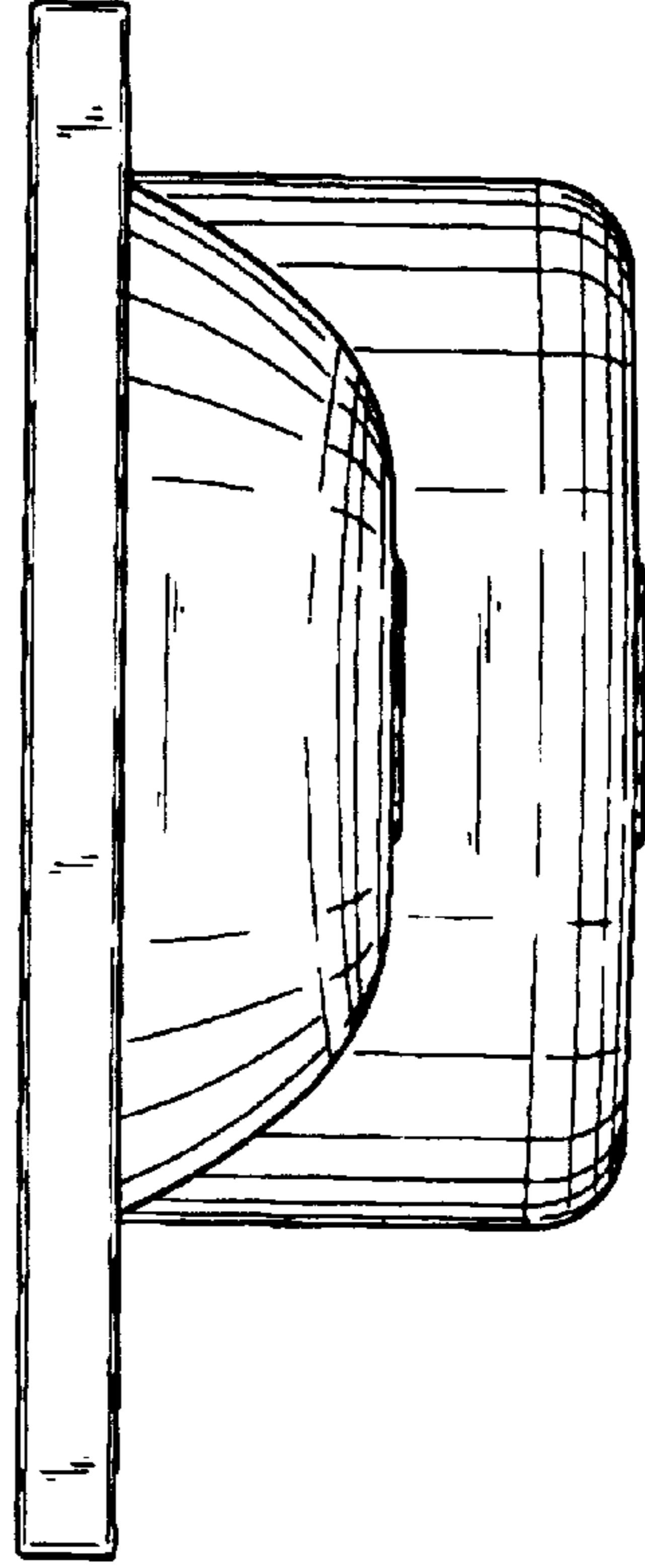


FIG. 6

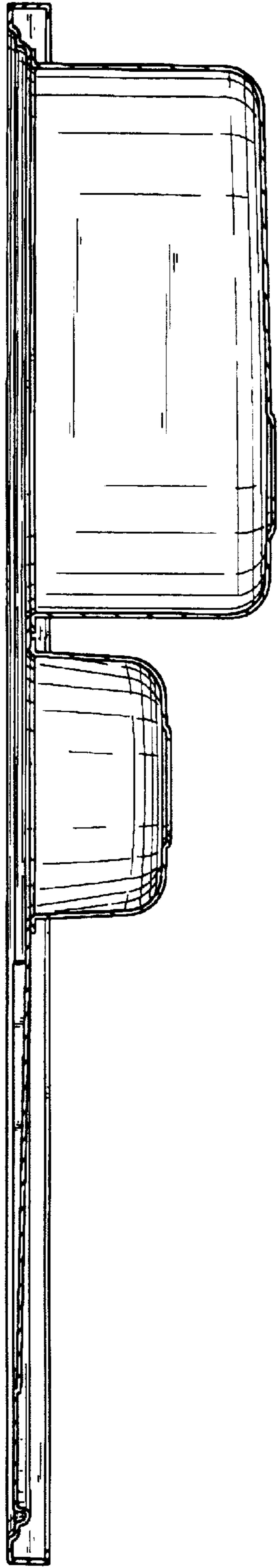
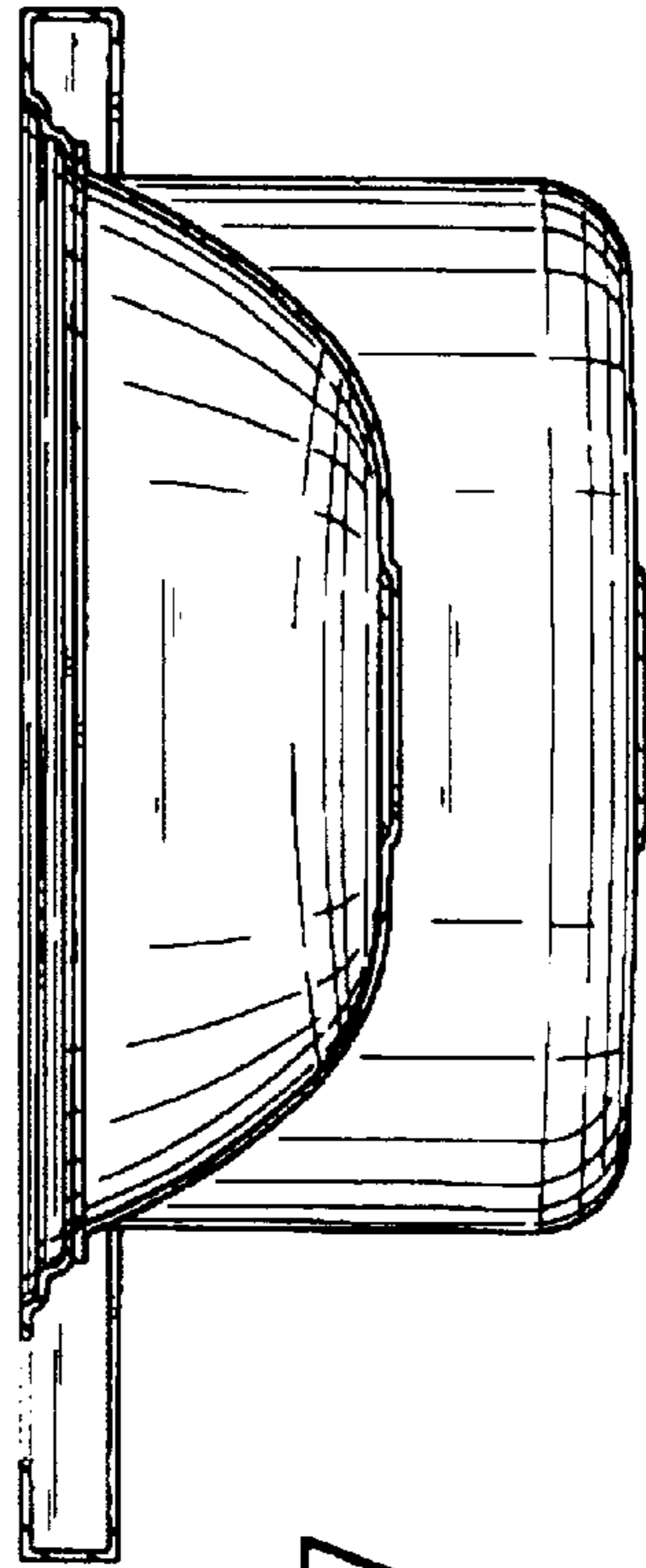


FIG. 7



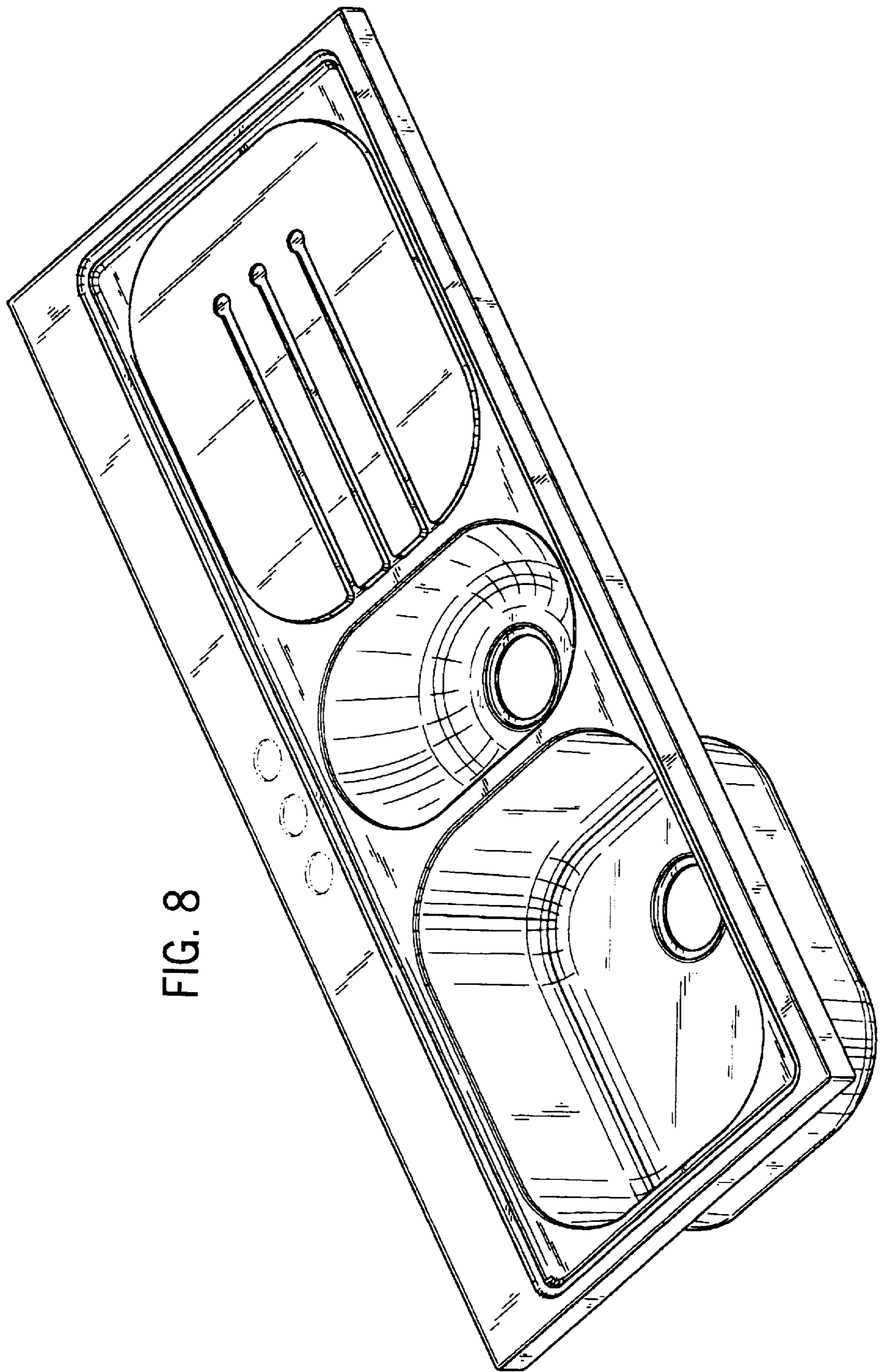


FIG. 8