



US00D426621S

United States Patent [19]

Biller et al.

[11] **Patent Number: Des. 426,621**

[45] **Date of Patent: ** Jun. 13, 2000**

[54] **FAUCET HANDLE**

[75] Inventors: **Rudi Biller; Frank Haase**, both of Iserlohn, Germany

[73] Assignee: **Friedrich Grohe AG**, Hemer, Germany

[**] Term: **14 Years**

[21] Appl. No.: **29/112,573**

[22] Filed: **Oct. 19, 1999**

[30] **Foreign Application Priority Data**

May 3, 1999 [DE] Germany 4 99 04 294

[51] **LOC (7) Cl.** **23-01**

[52] **U.S. Cl.** **D23/252**

[58] **Field of Search** D23/238-243,
D23/250-257; D8/300-308; 4/675-678;
16/110 R-121

[56] **References Cited**

U.S. PATENT DOCUMENTS

D. 290,495 6/1987 Ryan D23/250

- D. 299,515 1/1989 Fabian D23/250
- D. 304,071 10/1989 Haug et al. D23/250
- D. 324,807 3/1992 Reid et al. D8/310
- D. 358,870 5/1995 Formgren D23/250
- D. 378,775 4/1997 Kergoet D23/250
- D. 404,121 1/1999 Gottwald D23/250

Primary Examiner—Eric Watterson
Attorney, Agent, or Firm—Herbert Dubno

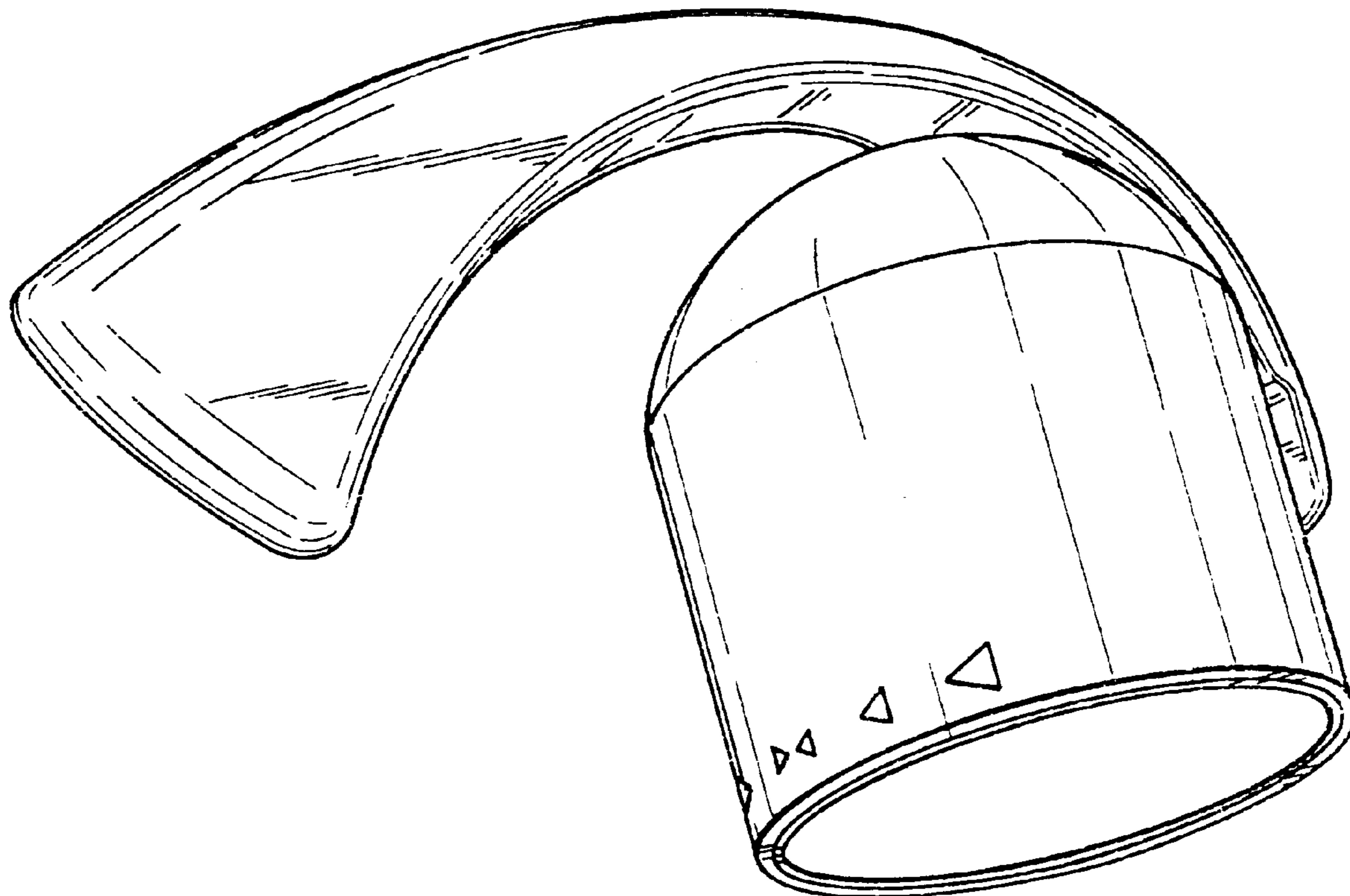
[57] **CLAIM**

The ornamental design for a faucet handle, as shown and described.

DESCRIPTION

FIG. 1 is a bottom, front, right-side perspective view of a faucet handle showing our new design;
FIG. 2 is a top view thereof;
FIG. 3 is a right side elevational view thereof; the left side being mirror symmetrical thereto;
FIG. 4 is a bottom view thereof;
FIG. 5 is a front view thereof; and,
FIG. 6 is a rear view thereof.

1 Claim, 3 Drawing Sheets



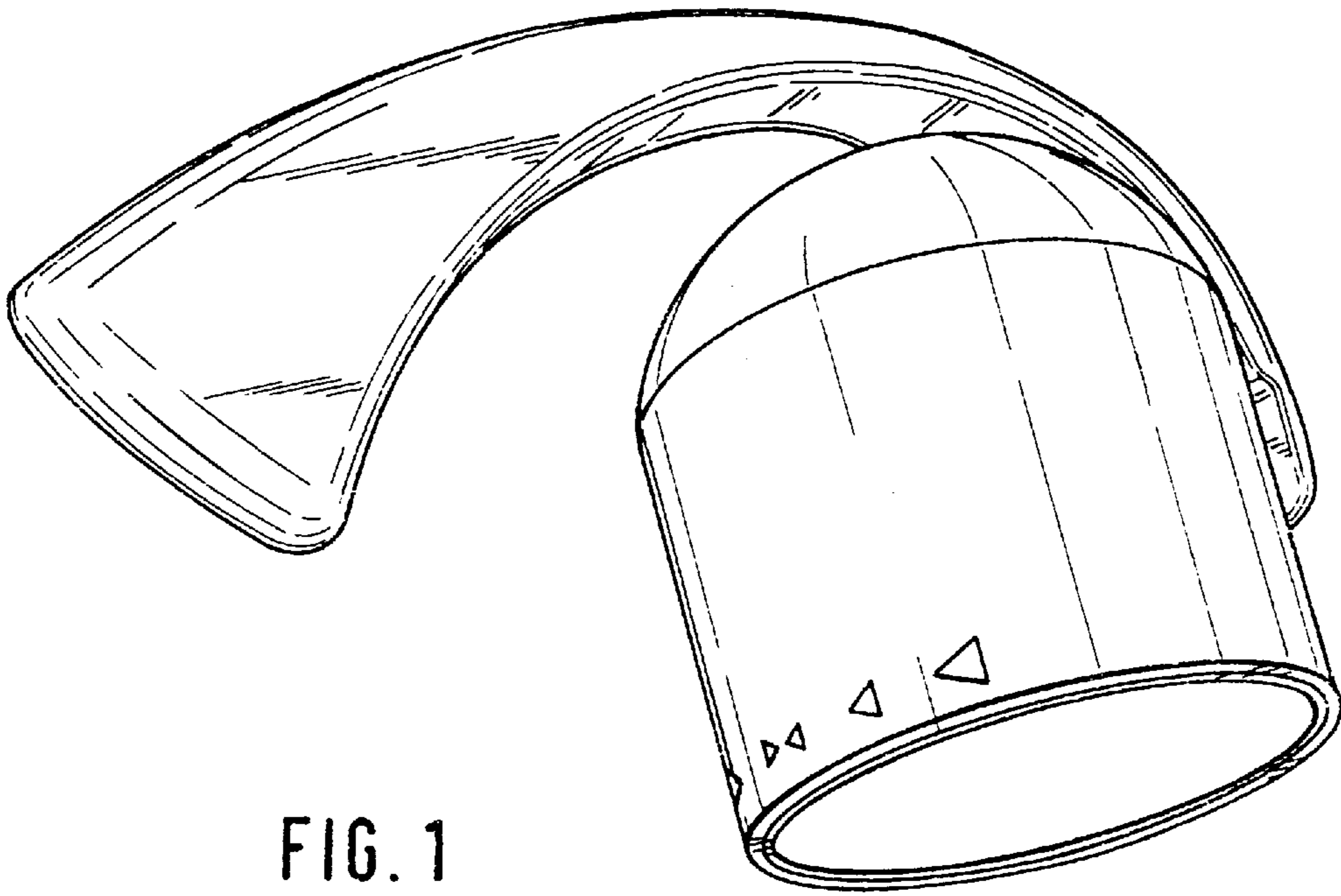


FIG. 1

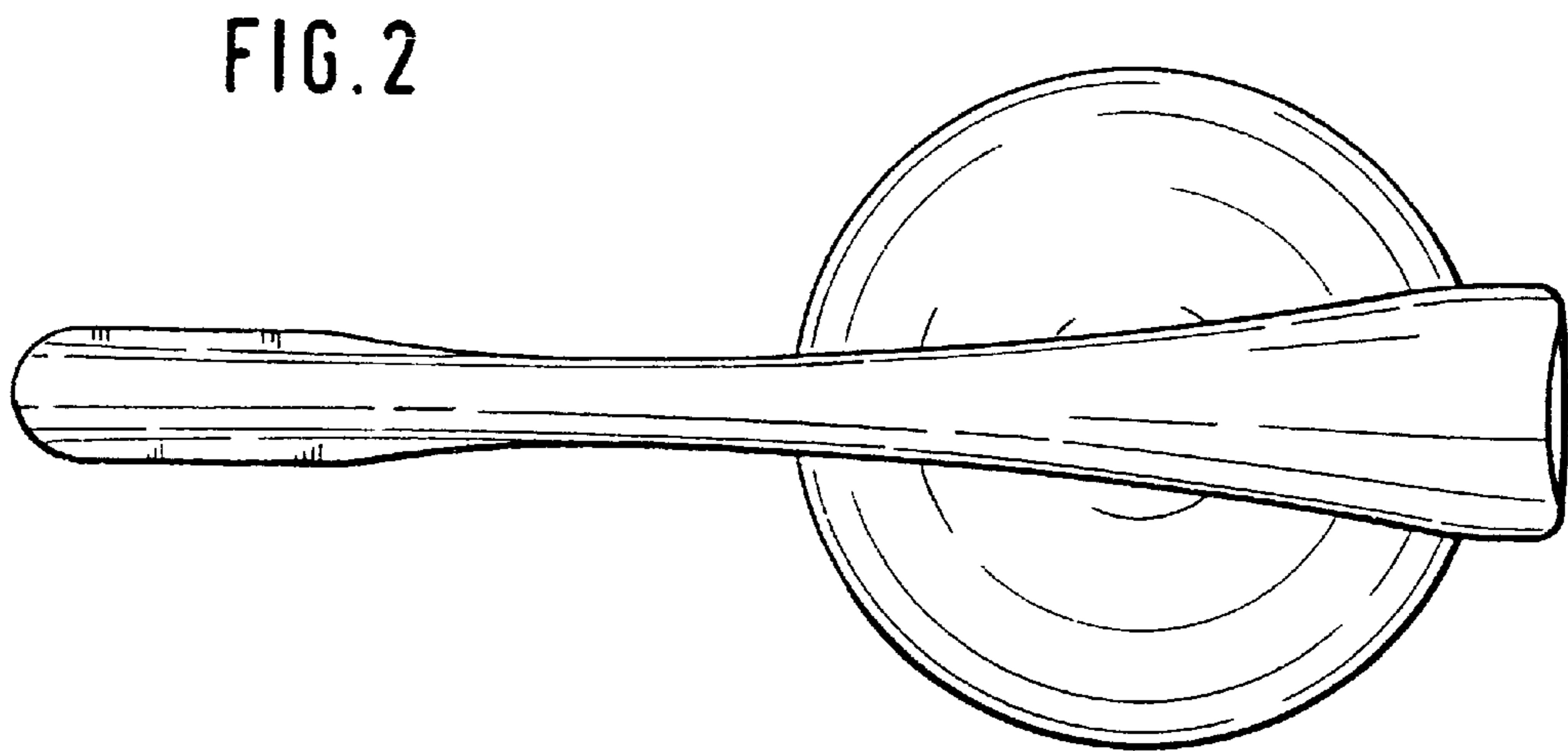


FIG. 2

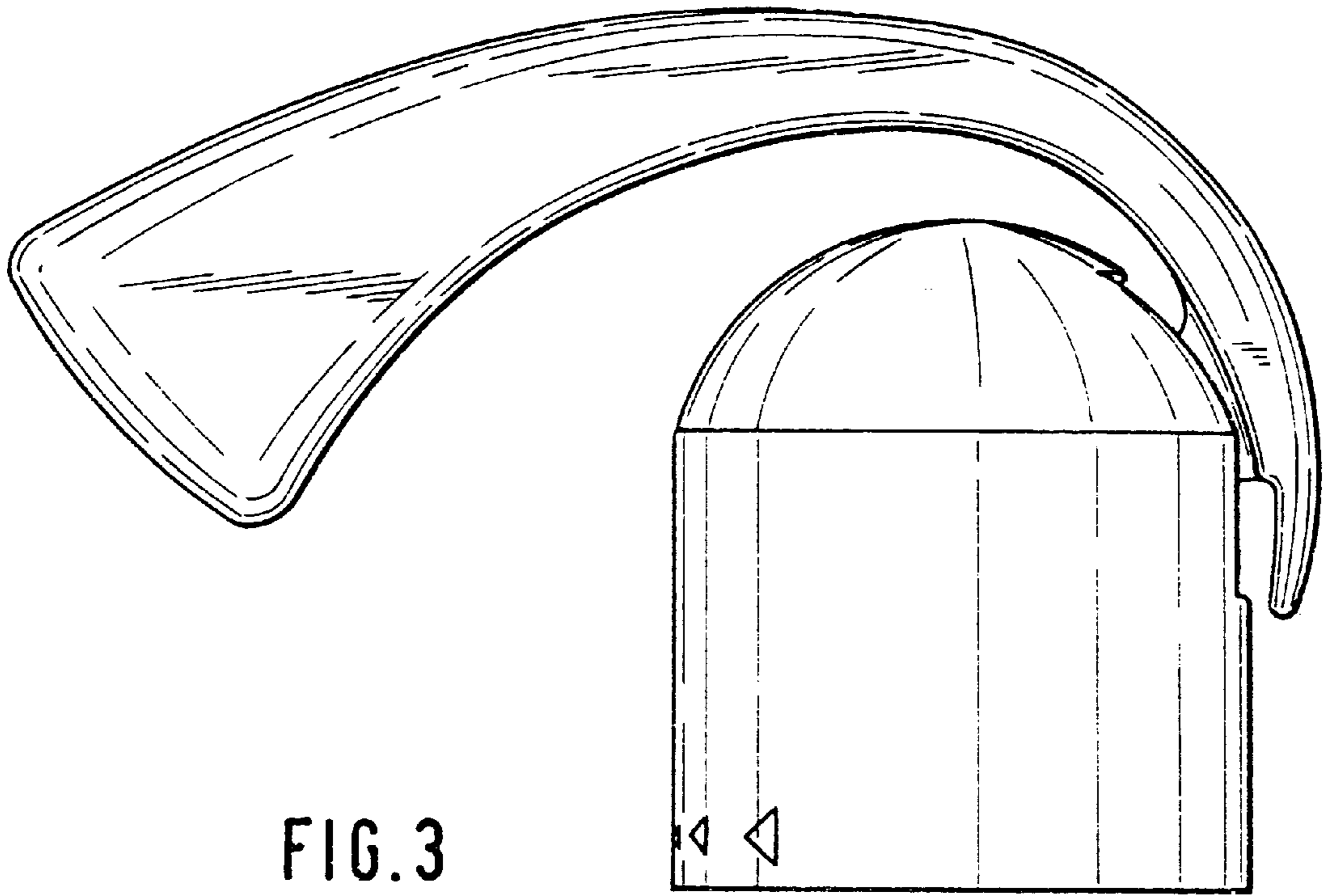


FIG. 3

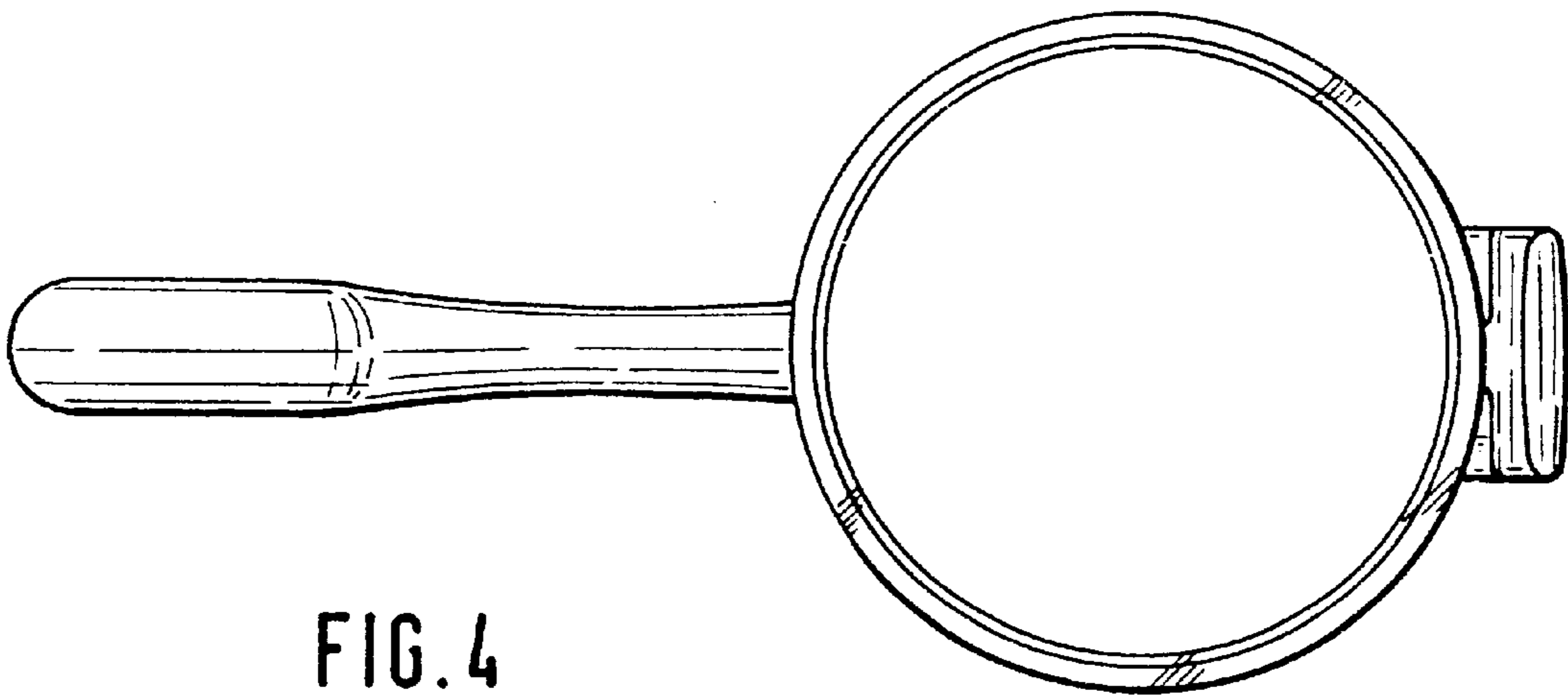


FIG. 4

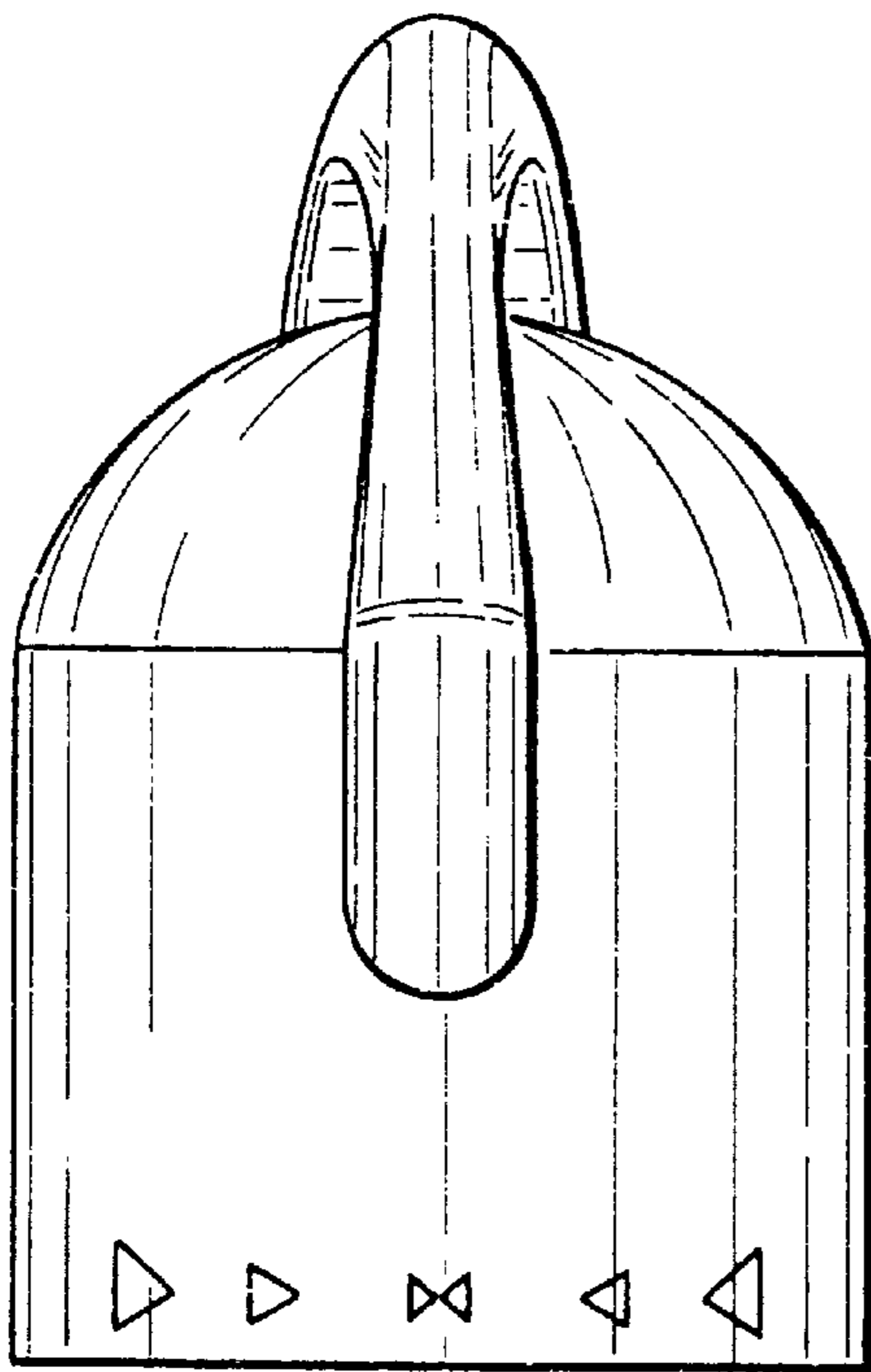


FIG. 5

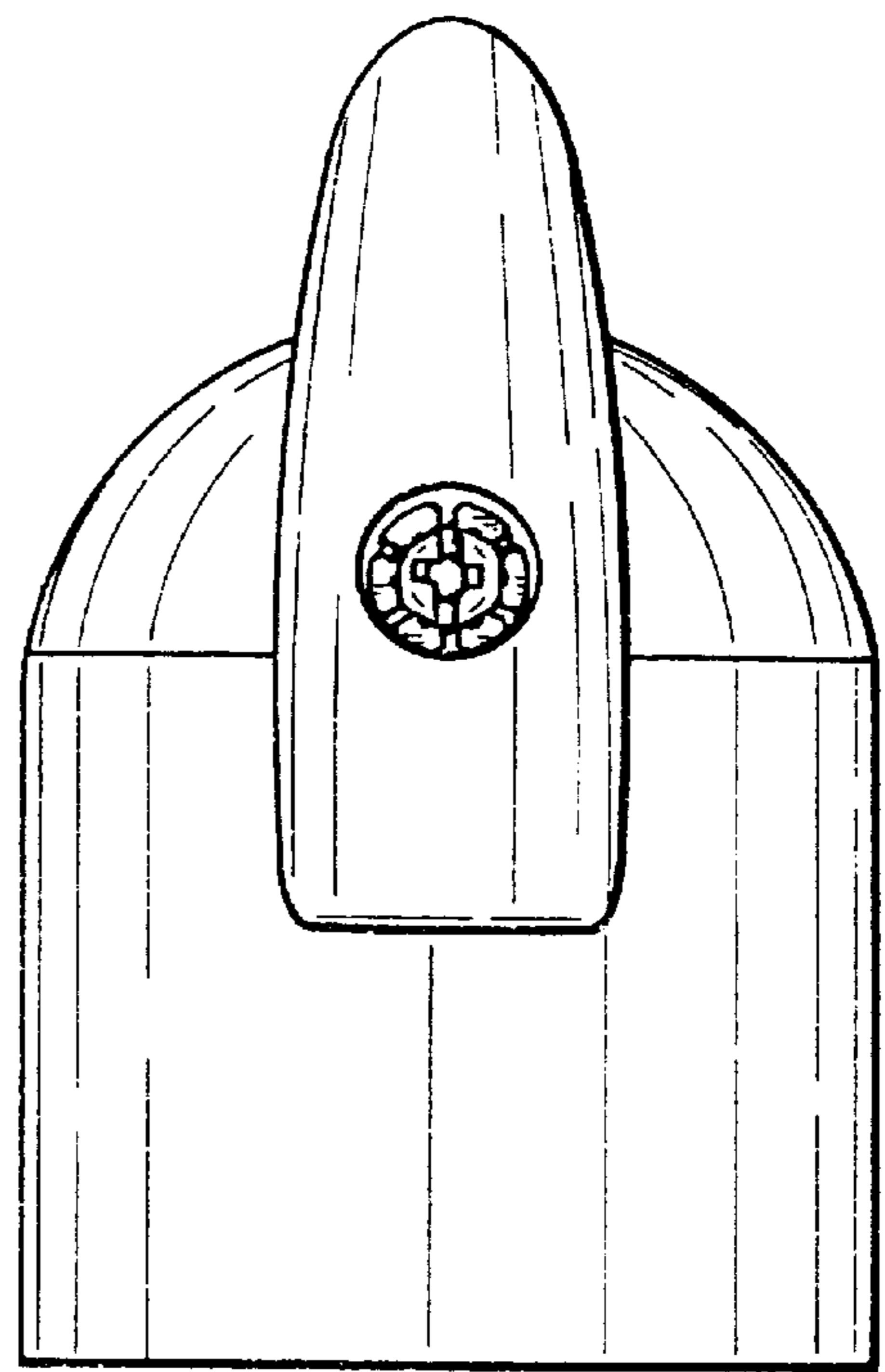


FIG. 6