



US00D426619S

United States Patent [19]

Sawhney et al.

[11] Patent Number: **Des. 426,619**

[45] Date of Patent: **** *Jun. 13, 2000**

[54] FAUCET

[75] Inventors: **Ravi Sawhney**, Calabasas; **Christopher Glupker**, Van Nuys; **Cary Chow**, Venice; **Lance Hussey**, Sherman Oaks; **Soren Petersen**, South Pasadena, all of Calif.

[73] Assignee: **Emhart Inc.**, Newark, Del.

[*] Notice: This patent is subject to a terminal disclaimer.

[**] Term: **14 Years**

[21] Appl. No.: **29/099,135**

[22] Filed: **Jan. 14, 1999**

[51] LOC (7) Cl. **23-01**

[52] U.S. Cl. **D23/243**

[58] Field of Search D23/238-243,
D23/250-257; 4/675-678; 137/801

[56] **References Cited**

U.S. PATENT DOCUMENTS

D. 387,131 12/1997 Short et al. D23/238

D. 394,698 5/1998 Krause D23/238
D. 397,423 8/1998 Short et al. D23/238
D. 401,307 11/1998 Lobermeier D23/238
D. 406,877 3/1999 Esche et al. D23/243
D. 409,726 5/1999 Formgren D23/238

Primary Examiner—Eric Watterson
Attorney, Agent, or Firm—Edward D. Murphy

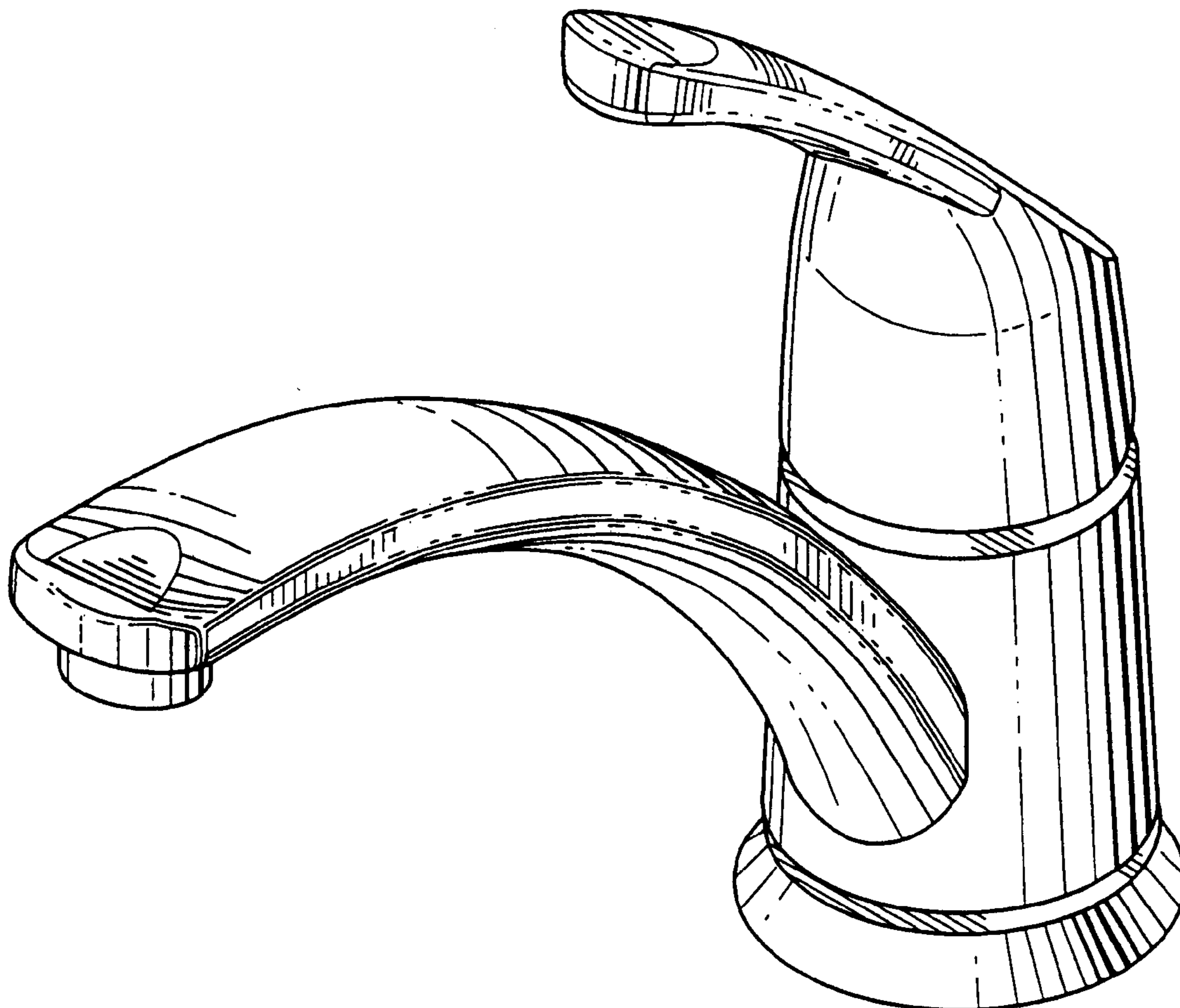
[57] **CLAIM**

The ornamental design for a faucet, as shown and described.

DESCRIPTION

FIG. 1 is a perspective view of our new design of a faucet; FIG. 2 is a right side elevational view of our new design of the faucet, a left side elevational view thereof being a mirror image of the right side elevation thereof; FIG. 3 is a front elevational view of our new design of the faucet; FIG. 4 is a rear elevational view of our new design of the faucet; FIG. 5 is a top plan view of our new design of the faucet; and, FIG. 6 is a bottom plan view of our new design of the faucet.

1 Claim, 4 Drawing Sheets



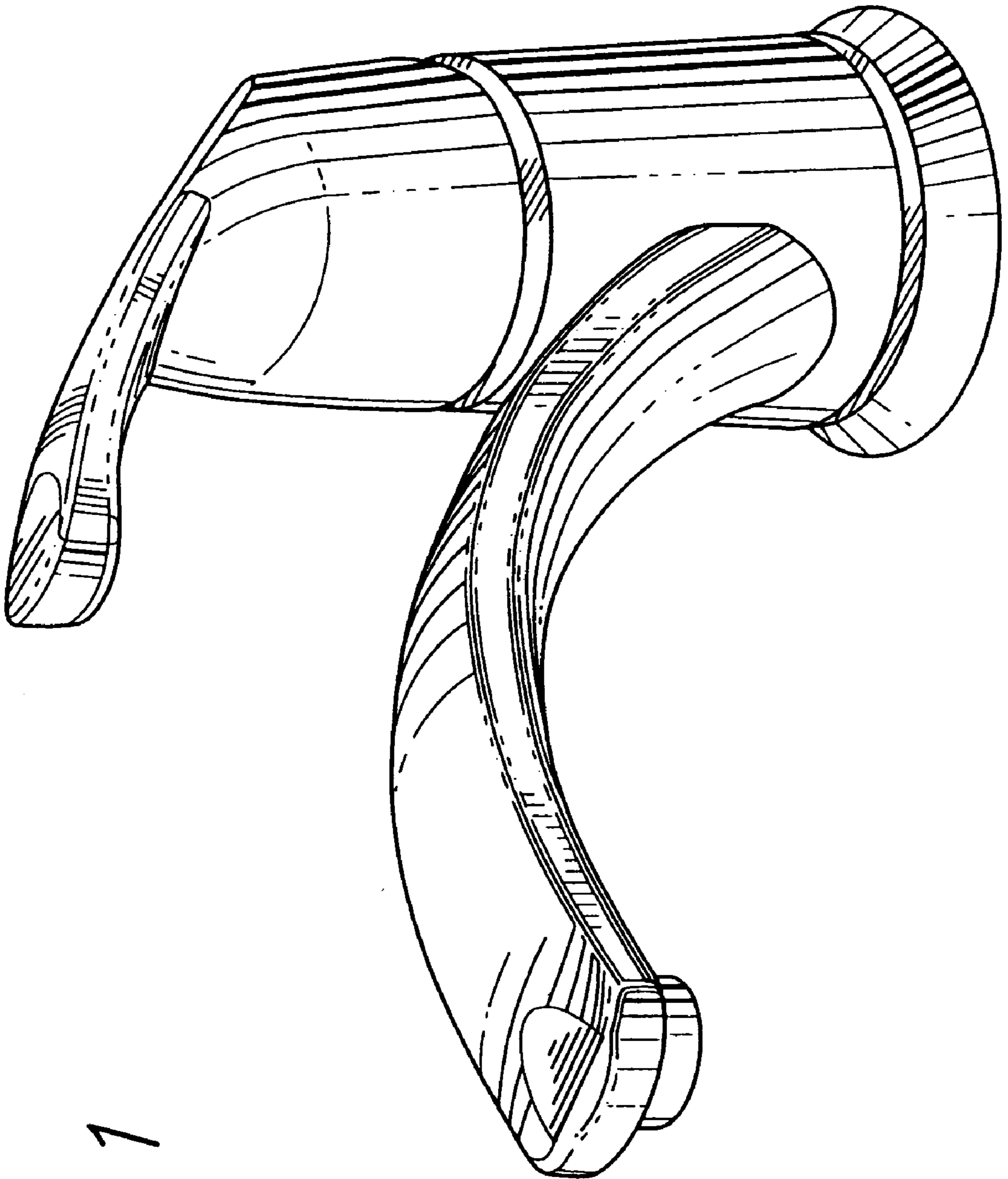


FIG. 1

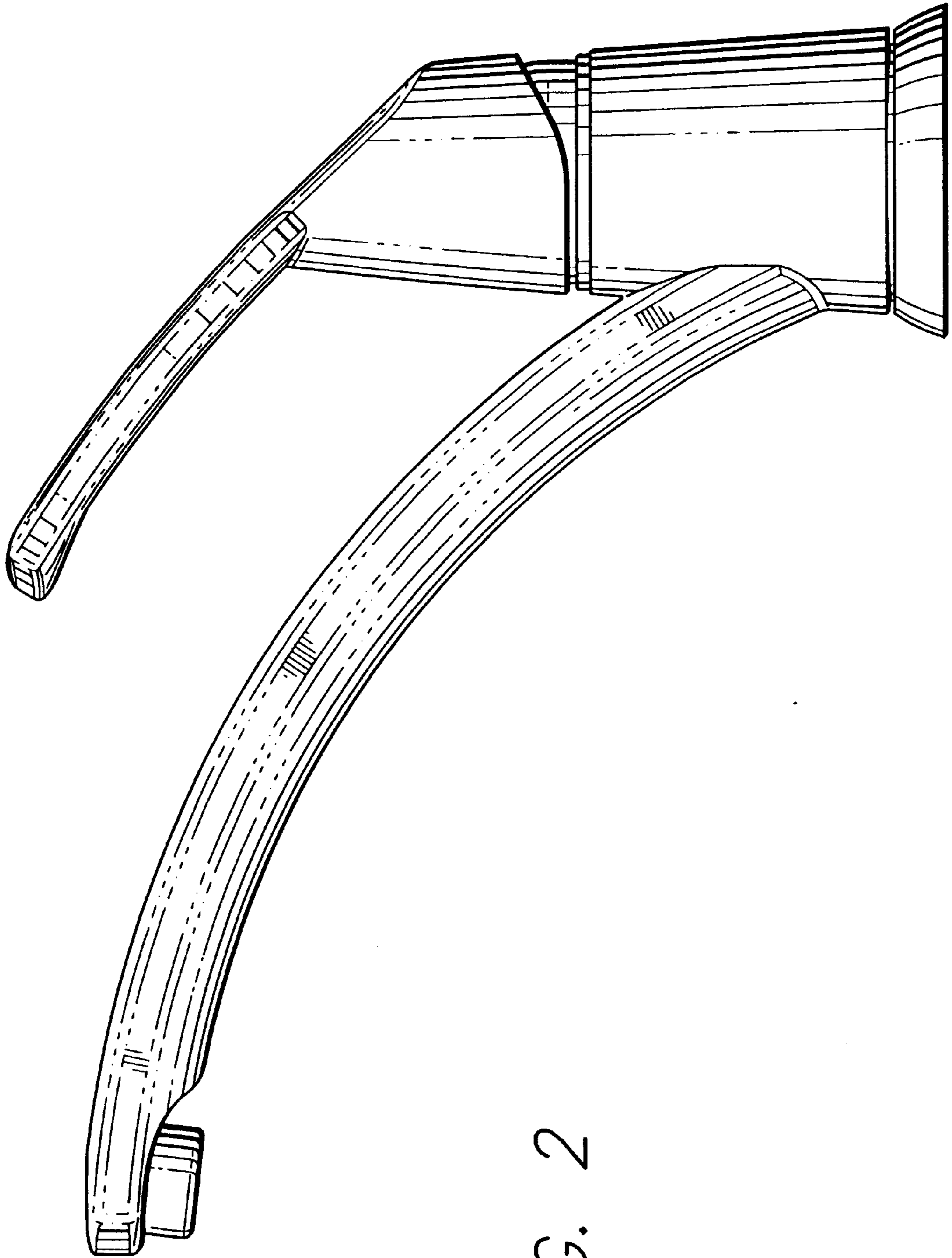


FIG. 2

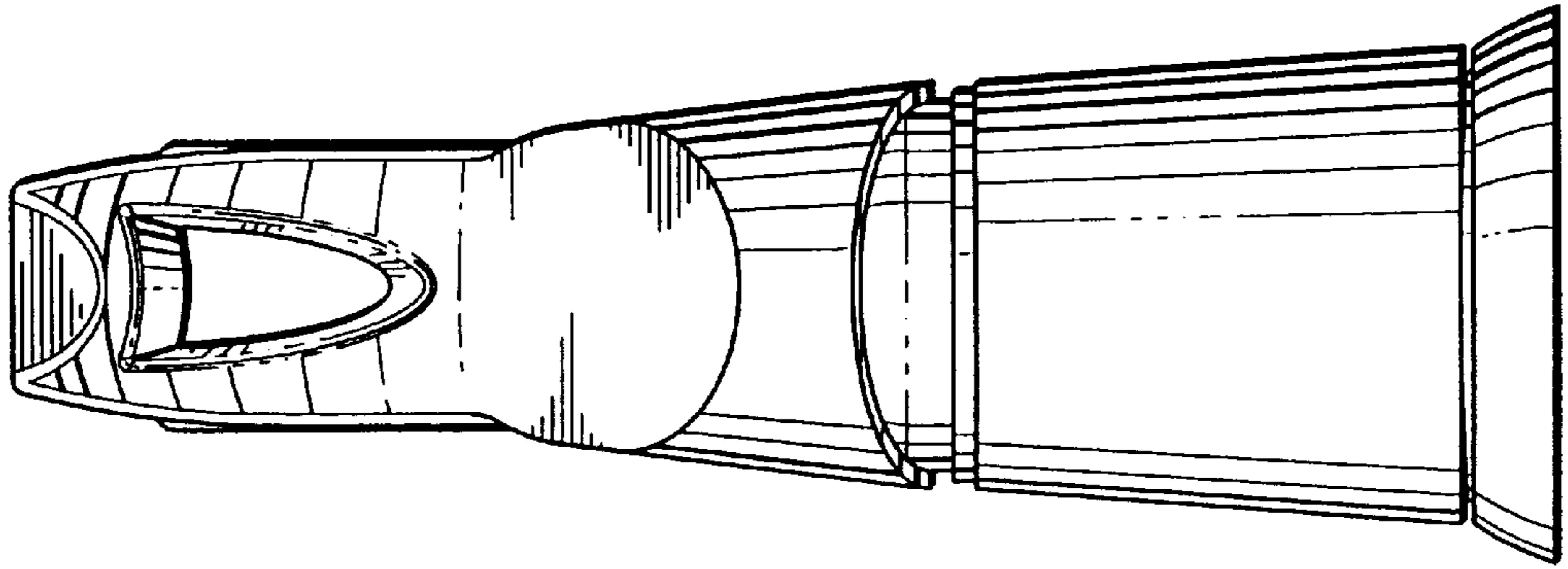


FIG. 4

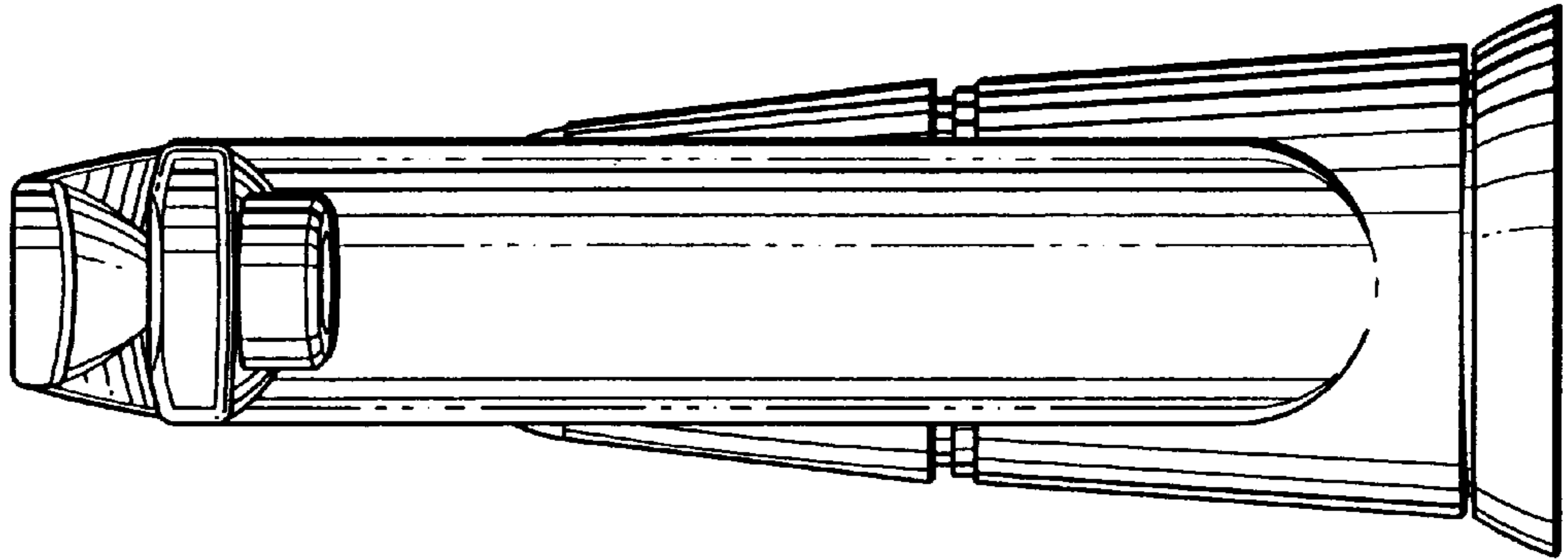


FIG. 3

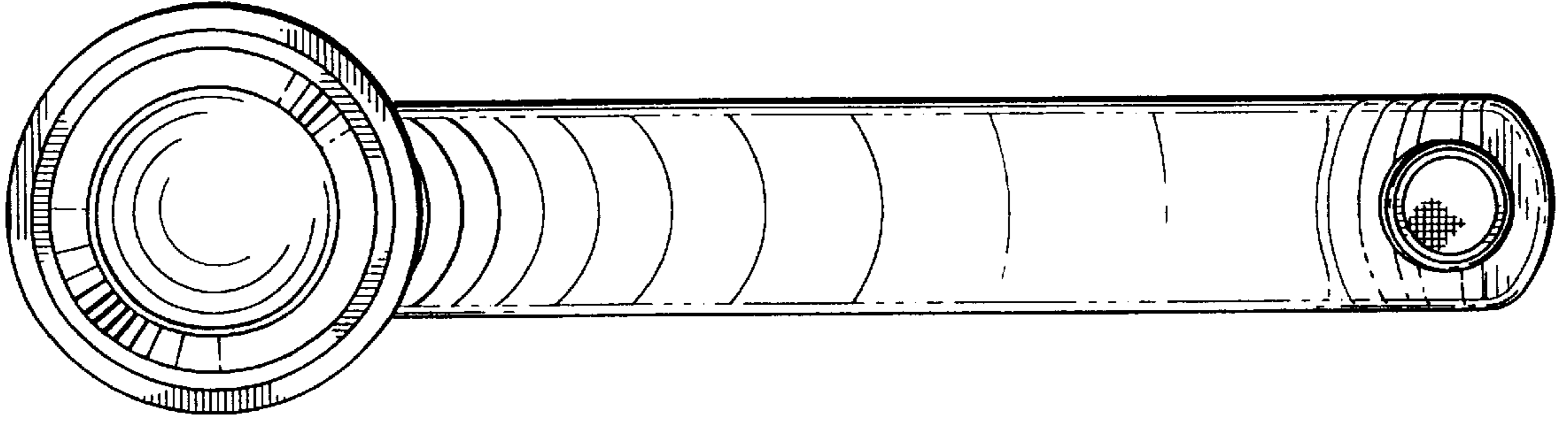


FIG. 6

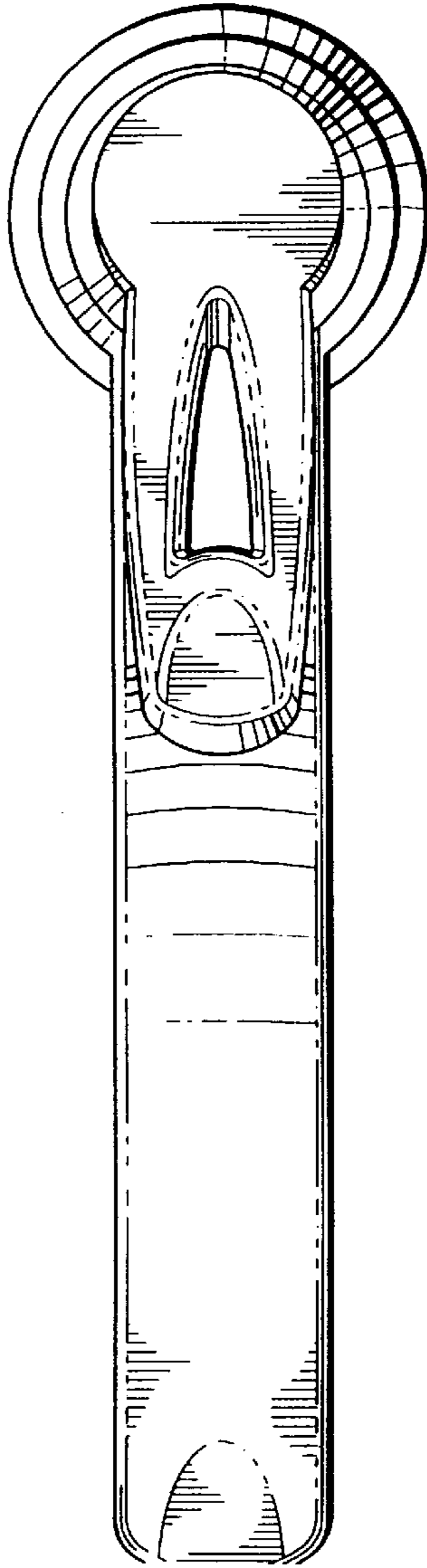


FIG. 5