



US00D426616S

United States Patent [19]
Hui-Chen

[11] **Patent Number: Des. 426,616**

[45] **Date of Patent: ** Jun. 13, 2000**

[54] **WATER CONTROL VALVE**

3,516,638 6/1970 Piggott 137/360
3,826,431 7/1974 Telge 239/551

[76] Inventor: **Chao Hui-Chen**, 75, Liao Tsuo Hsiang,
Liao Tsuo Li, Lu Kang Chen, Chang
Hua Hsien, Taiwan

Primary Examiner—Robin V. Taylor
Attorney, Agent, or Firm—Harrison & Egbert

[**] Term: **14 Years**

[57] **CLAIM**

[21] Appl. No.: **29/106,967**

I claim the ornamental design for a water control valve, as shown and described.

[22] Filed: **Jun. 24, 1999**

DESCRIPTION

[51] **LOC (7) Cl.** **23-01**

FIG. 1 is an upper perspective of a water control valve showing my design;

[52] **U.S. Cl.** **D23/233; D23/238**

FIG. 2 is a side view thereof;

[58] **Field of Search** **D23/233-237;**

FIG. 3 is a top view thereof;

137/606, 360

FIG. 4 is a front view thereof;

FIG. 5 is a bottom view thereof;

[56] **References Cited**

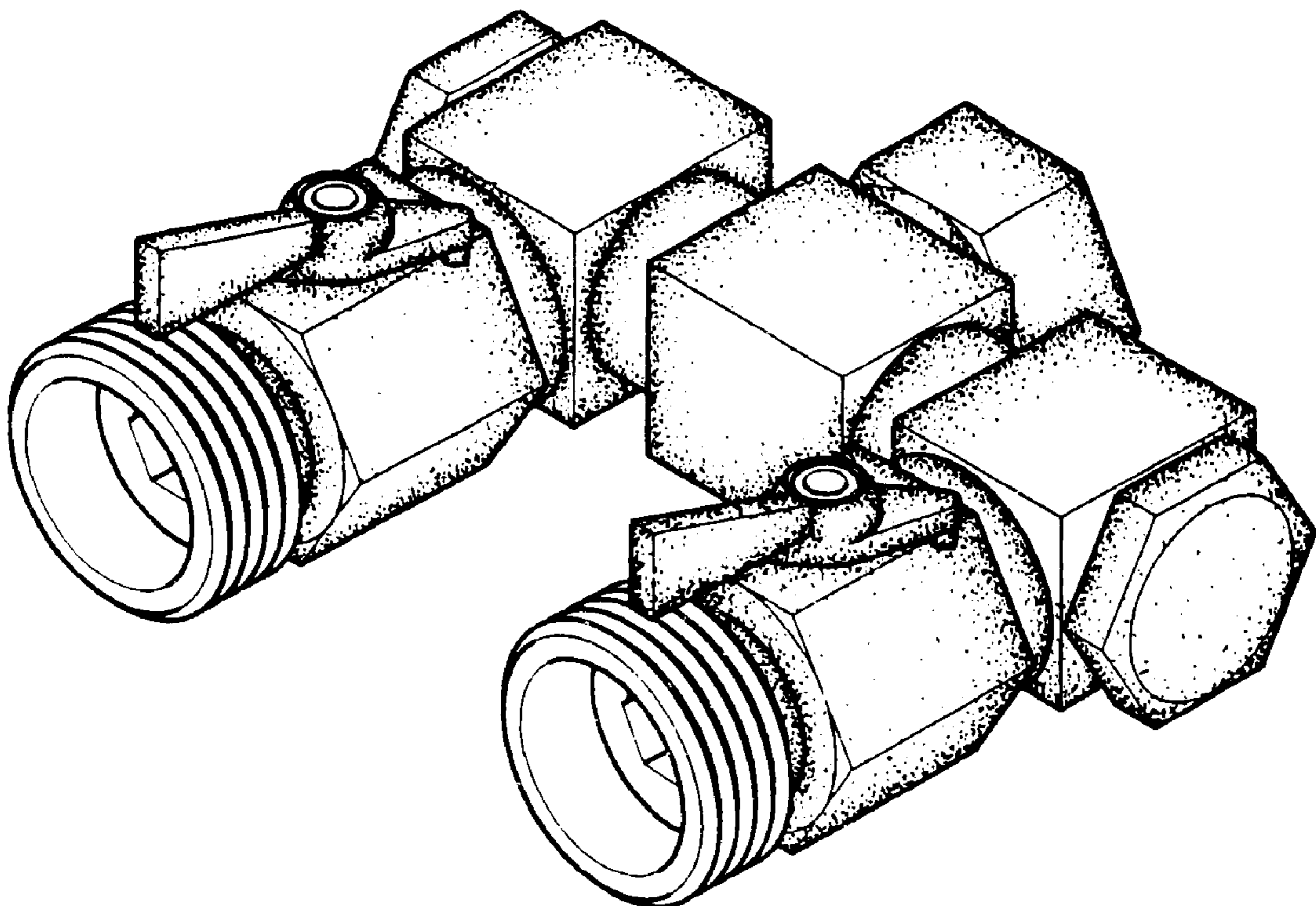
U.S. PATENT DOCUMENTS

FIG. 6 is an opposite side view thereof; and,

FIG. 7 is a rear view thereof.

D. 215,052 8/1969 Evans D23/233
3,234,958 2/1966 Butters 137/606

1 Claim, 4 Drawing Sheets



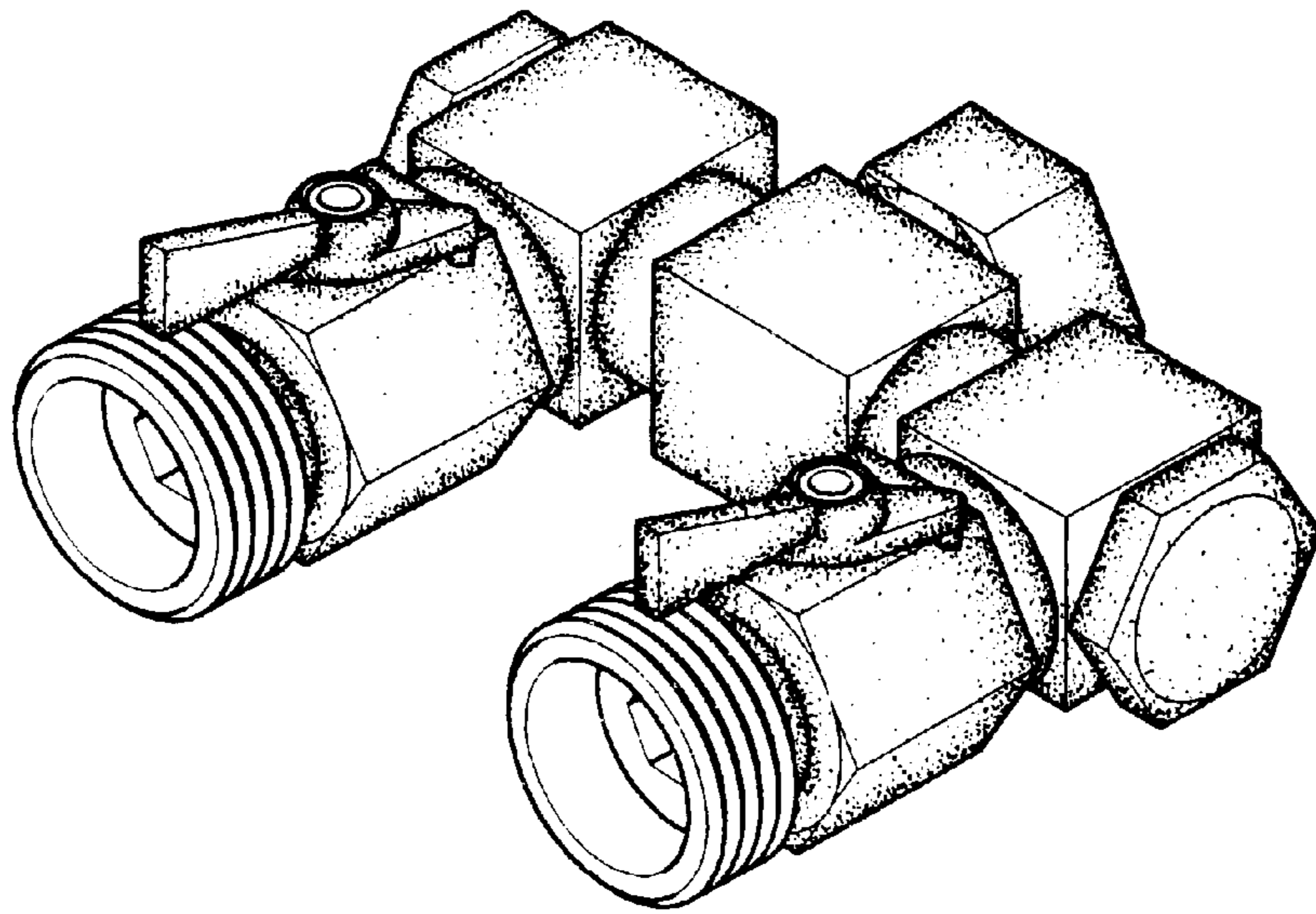


FIG. 1

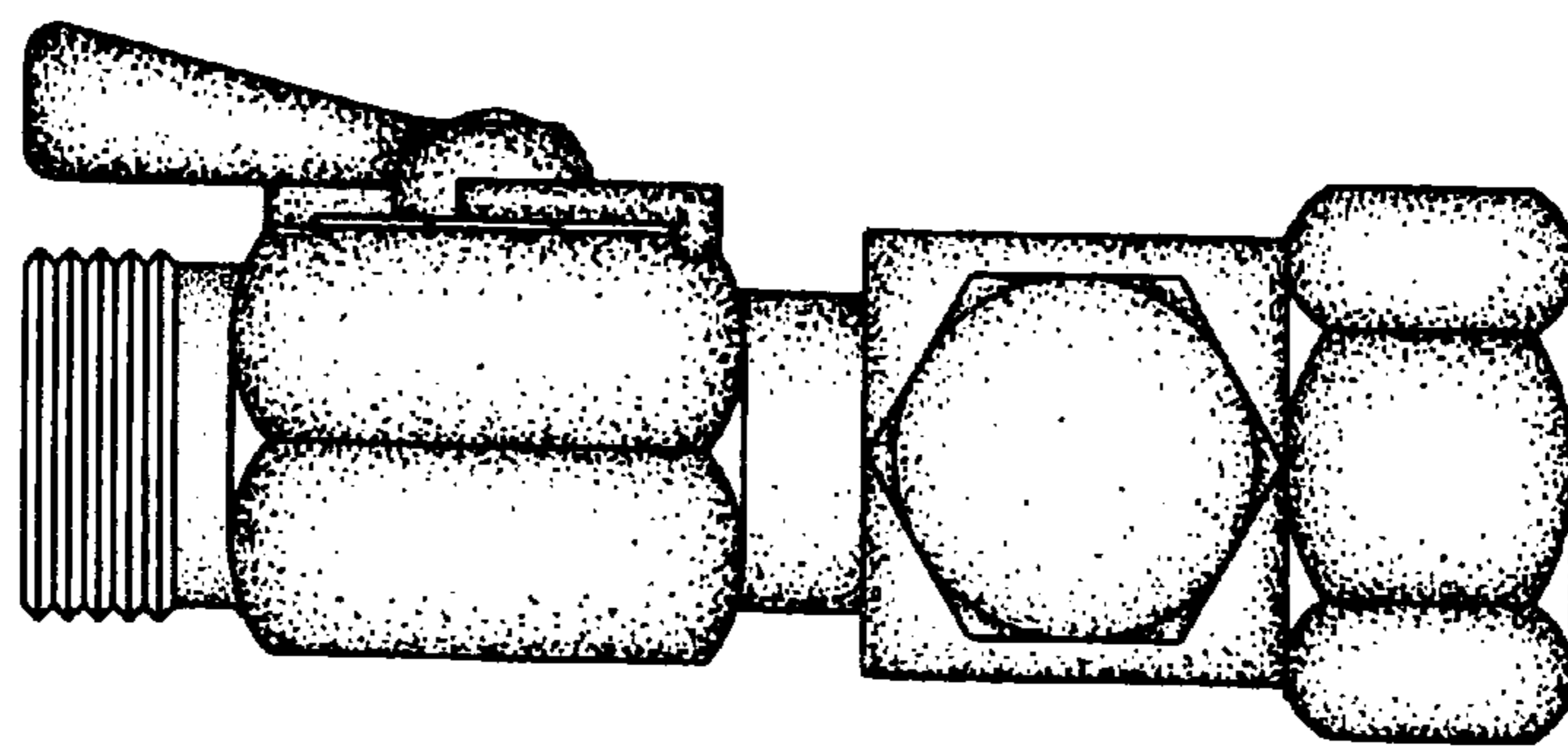


FIG. 2

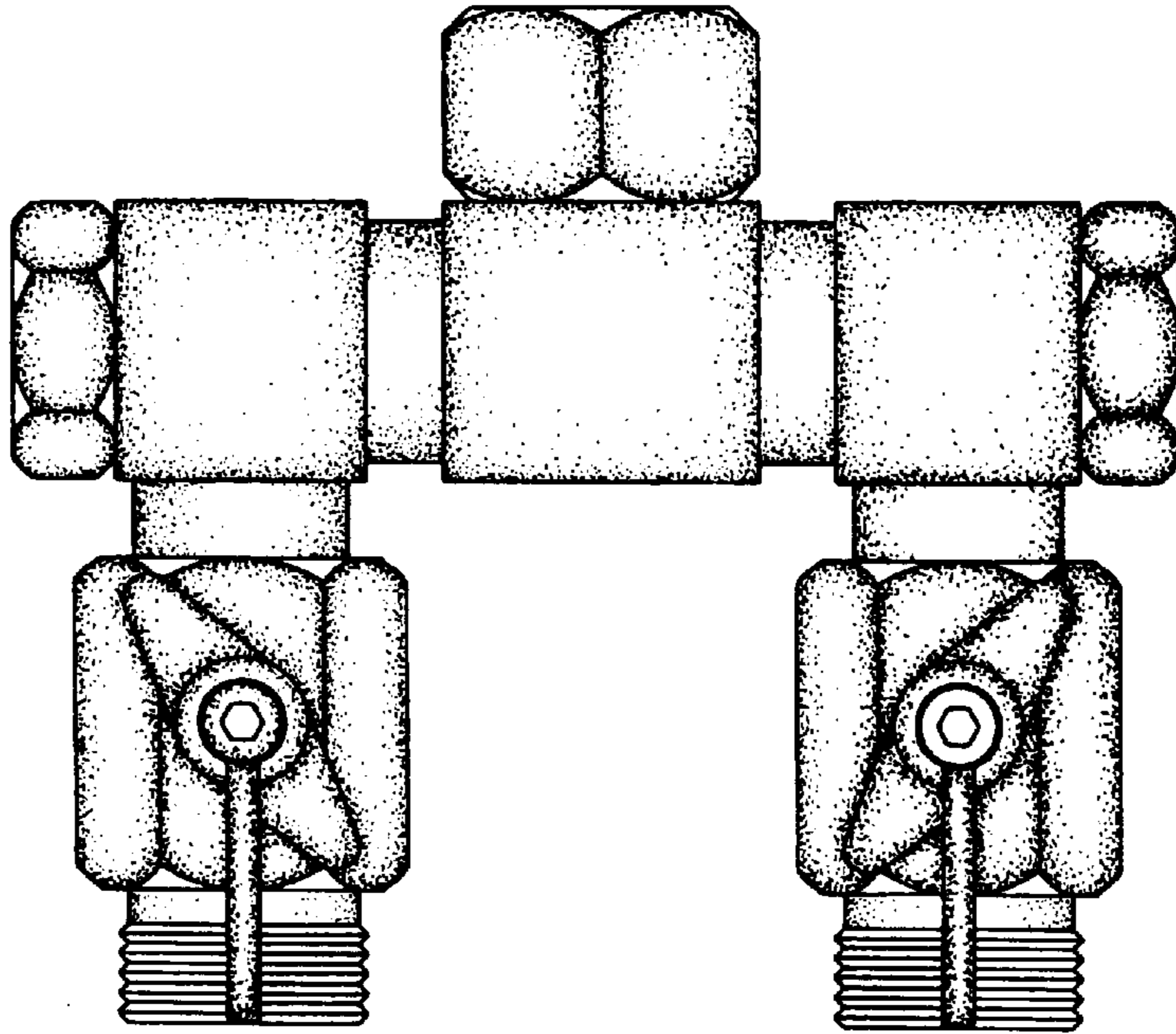


FIG. 3

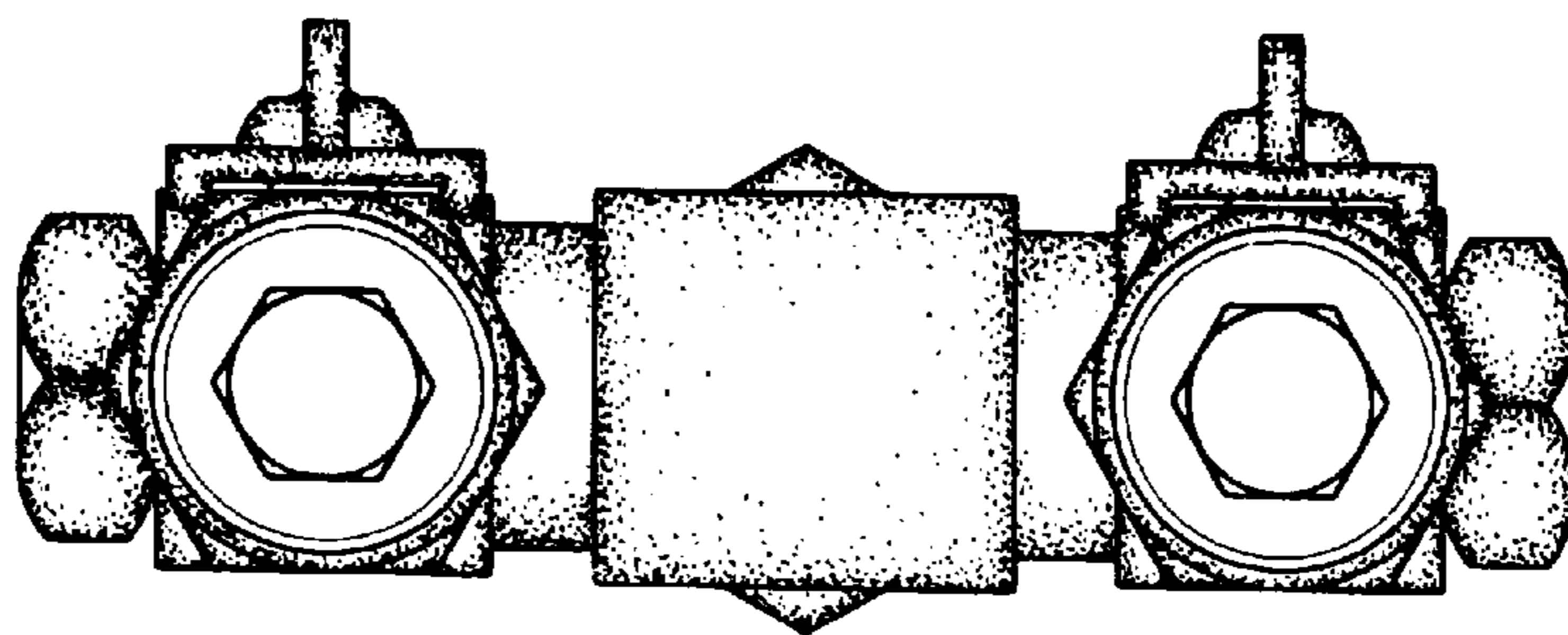


FIG. 4

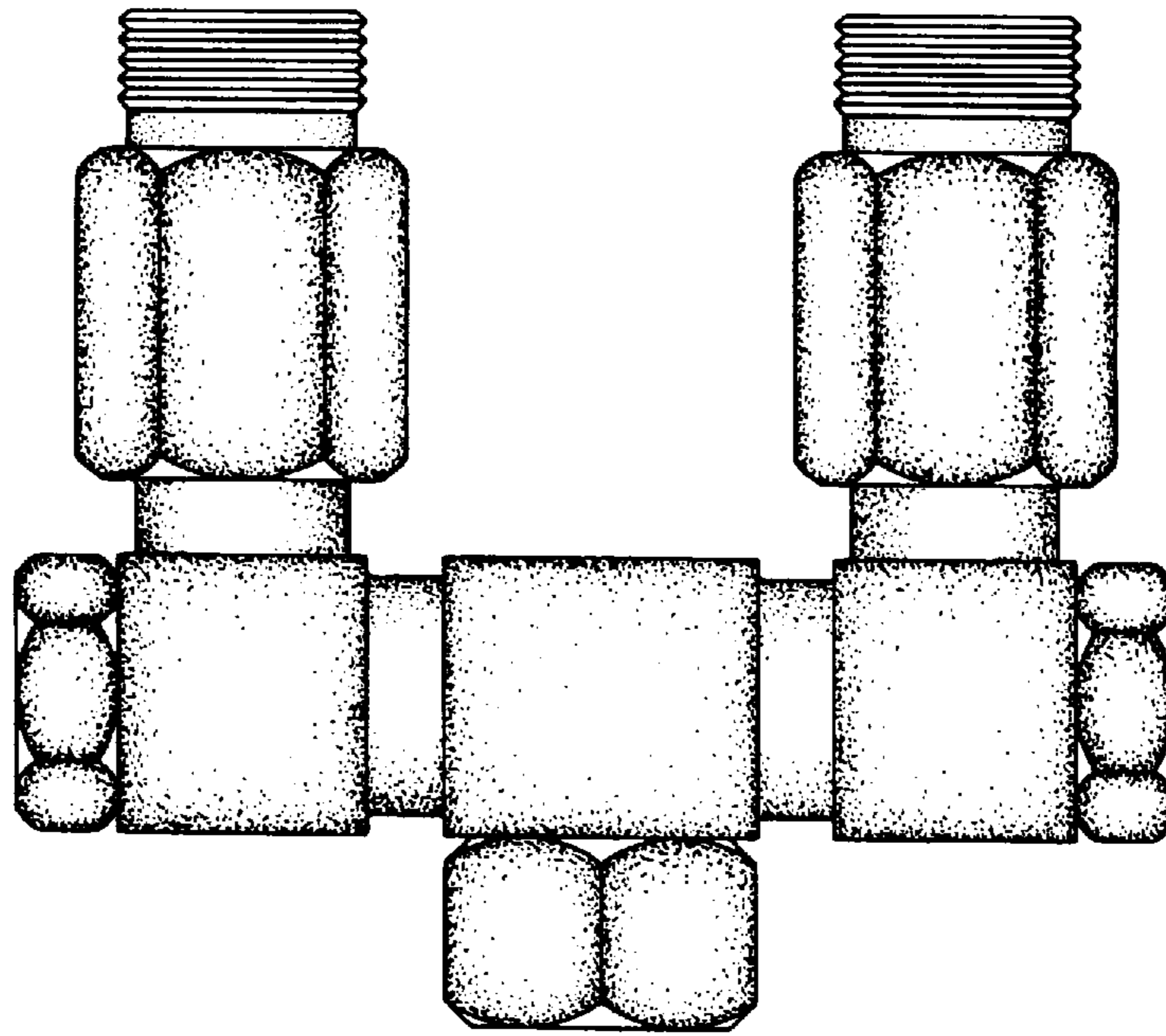


FIG. 5

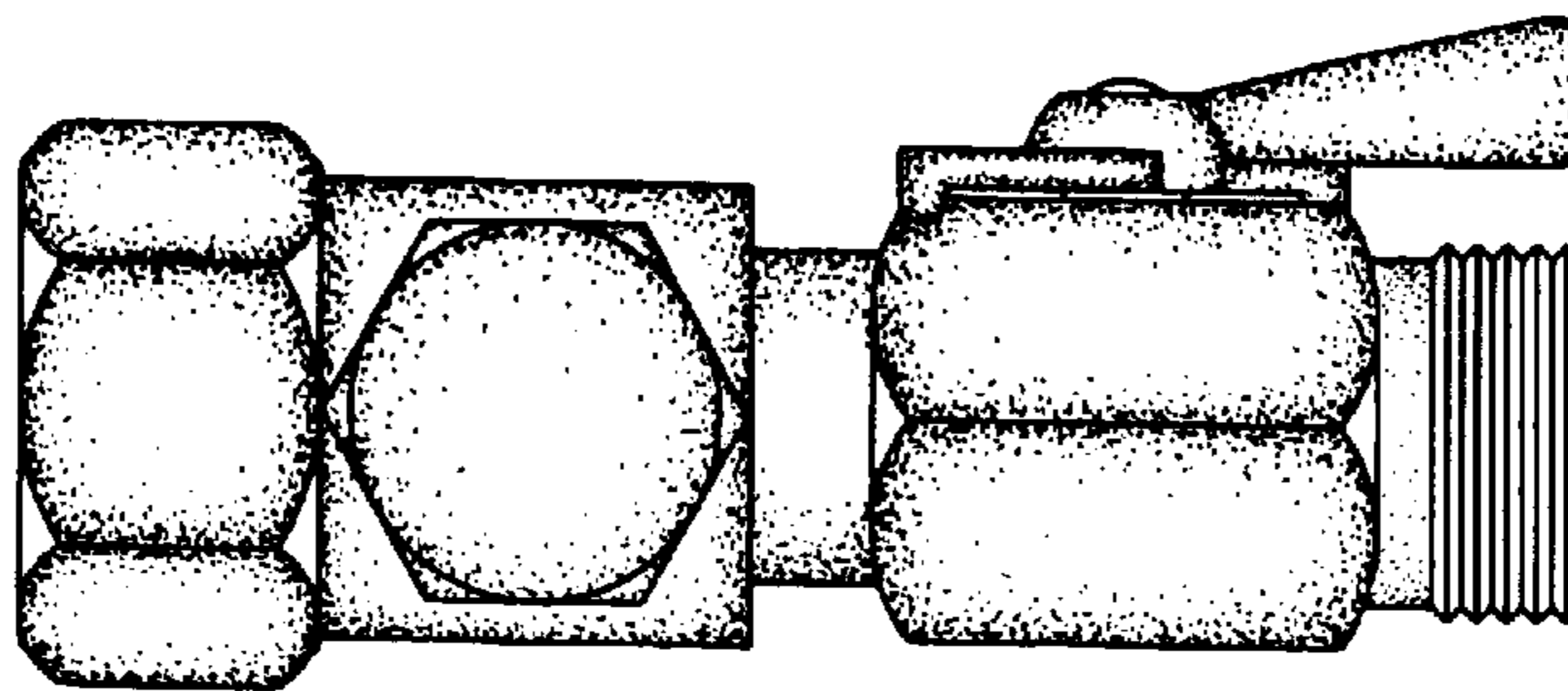


FIG. 6

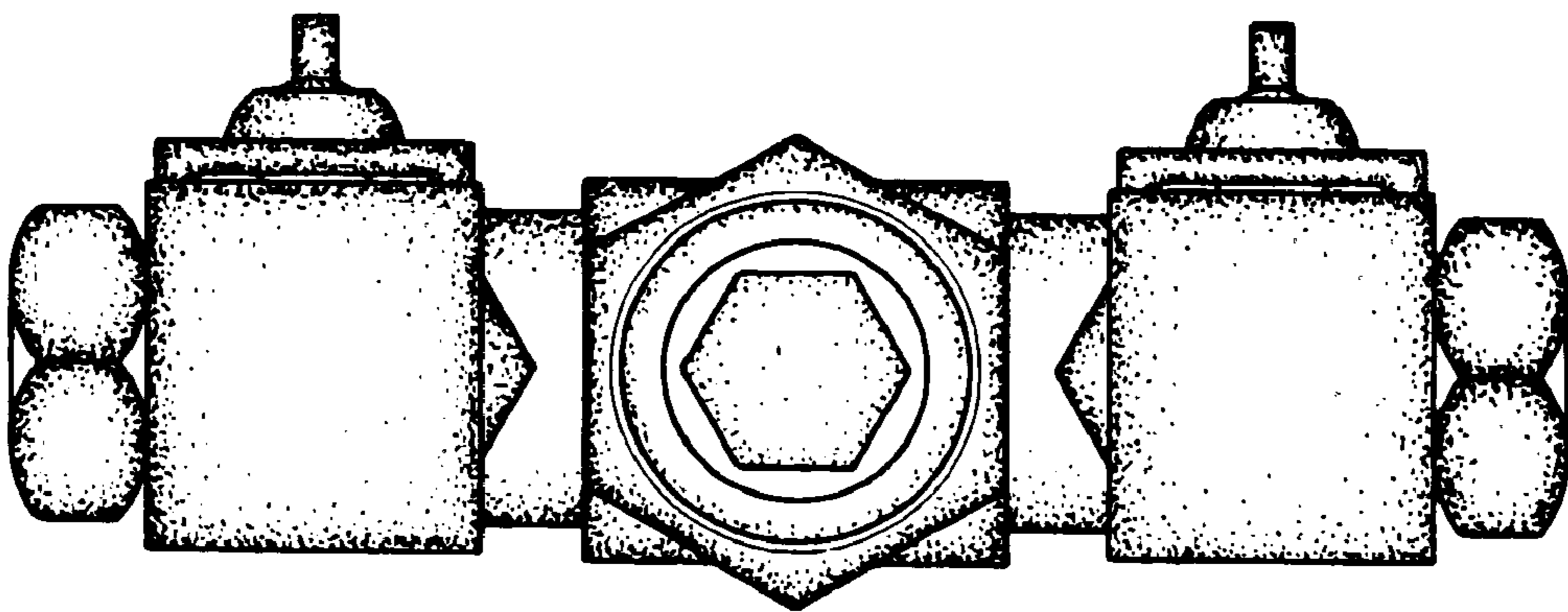


FIG. 7