



US00D426613S

United States Patent [19]
Curtis

[11] **Patent Number: Des. 426,613**

[45] **Date of Patent: ** Jun. 13, 2000**

[54] **INSECT CONTAINER**

[75] Inventor: **Regan L. Curtis**, Wichita, Kans.

[73] Assignee: **The Coleman Company, Inc.**, Wichita, Kans.

[**] Term: **14 Years**

[21] Appl. No.: **29/108,750**

[22] Filed: **Aug. 3, 1999**

[51] **LOC (7) Cl.** **22-06**

[52] **U.S. Cl.** **D22/123**

[58] **Field of Search** D22/123, 122;
43/112, 133

[56] **References Cited**

U.S. PATENT DOCUMENTS

D. 258,073	1/1981	Brown et al.	D22/123
D. 270,930	10/1983	Lee et al.	D22/123
D. 342,775	12/1993	Kuipers	D22/122
D. 375,136	10/1996	Poore	D22/123
424,729	4/1890	Scherer	43/112
1,936,468	11/1933	Folmer et al.	43/112

3,177,609	4/1965	De Marco	43/112
4,603,505	8/1986	Millard	43/112
4,785,573	11/1988	Millard	43/112
4,962,611	10/1990	Millard	43/112

Primary Examiner—Louis S. Zarfes
Assistant Examiner—Inga-Maria Hyttinen
Attorney, Agent, or Firm—Kramer, Levin, Naftalis & Frankel, LLP

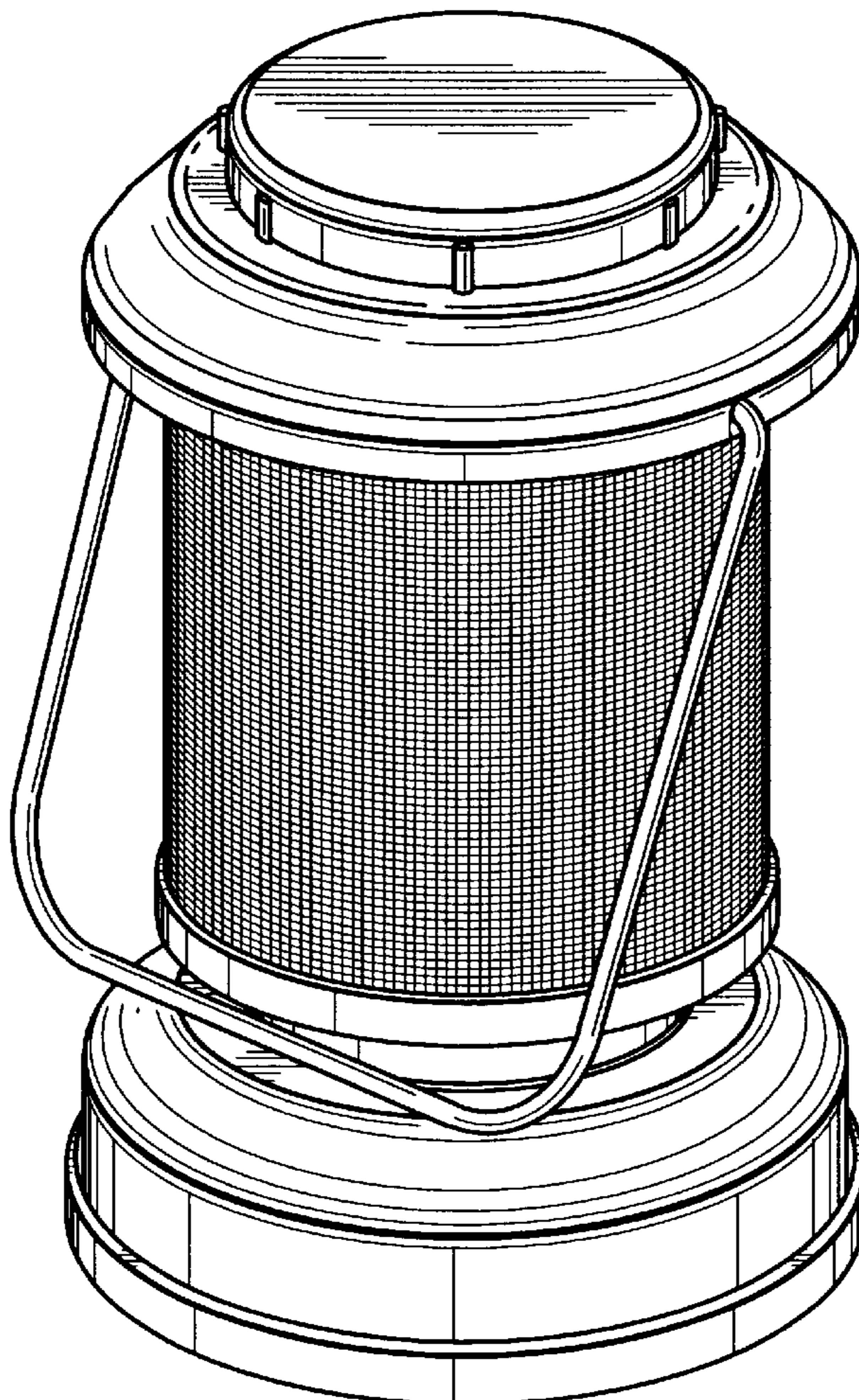
[57] **CLAIM**

The ornamental design for an insect container, as shown and described.

DESCRIPTION

FIG. 1 is a perspective view showing my new design; FIG. 2 is a side view, the other side being a mirror image thereof; FIG. 3 is a top plan view thereof; FIG. 4 is a bottom view thereof; FIG. 5 is a front elevational view thereof; FIG. 6 is a rear elevational view thereof; and, FIG. 7 is a perspective view thereof with the container lid shown in open position.

1 Claim, 6 Drawing Sheets



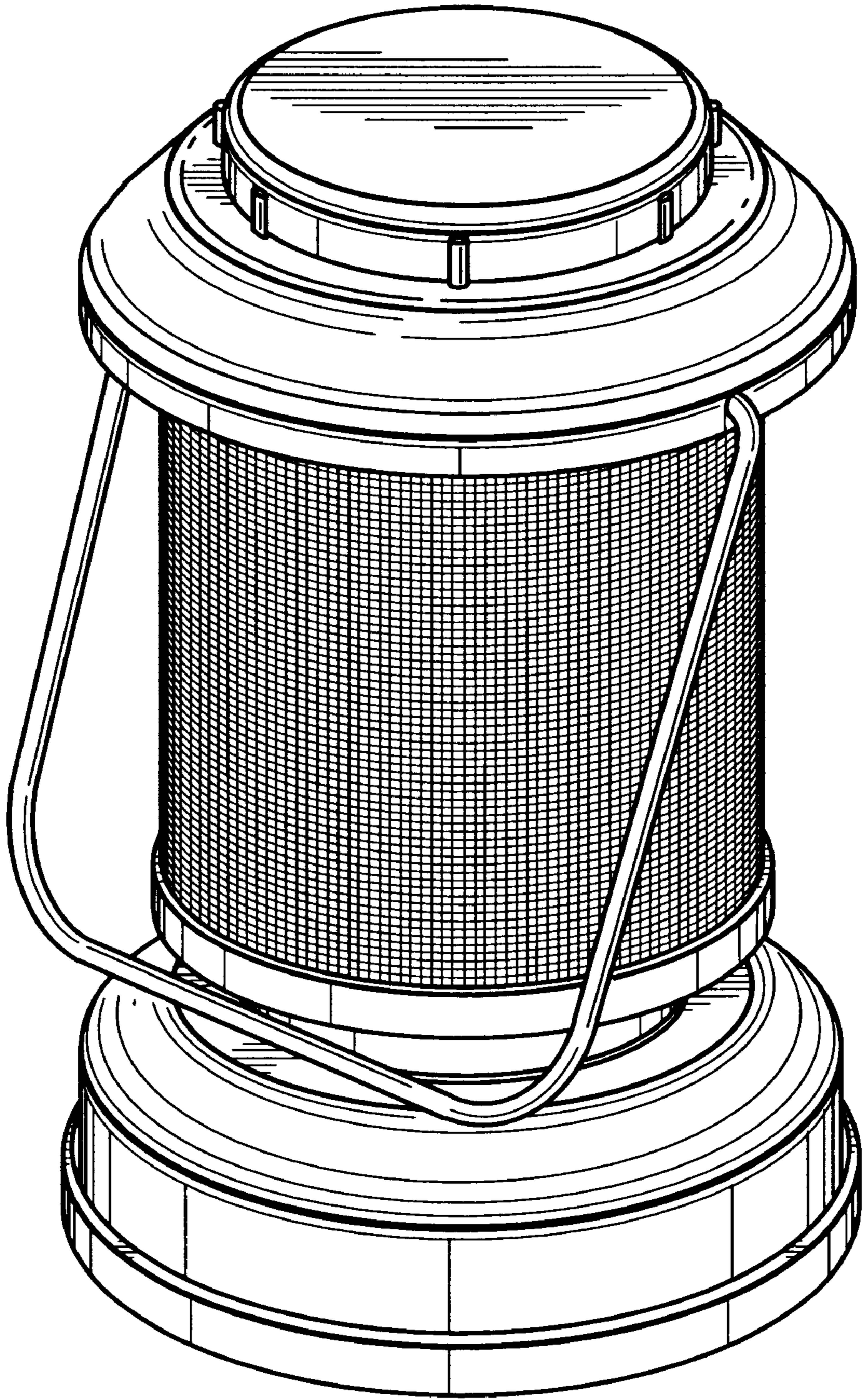


FIG. 1

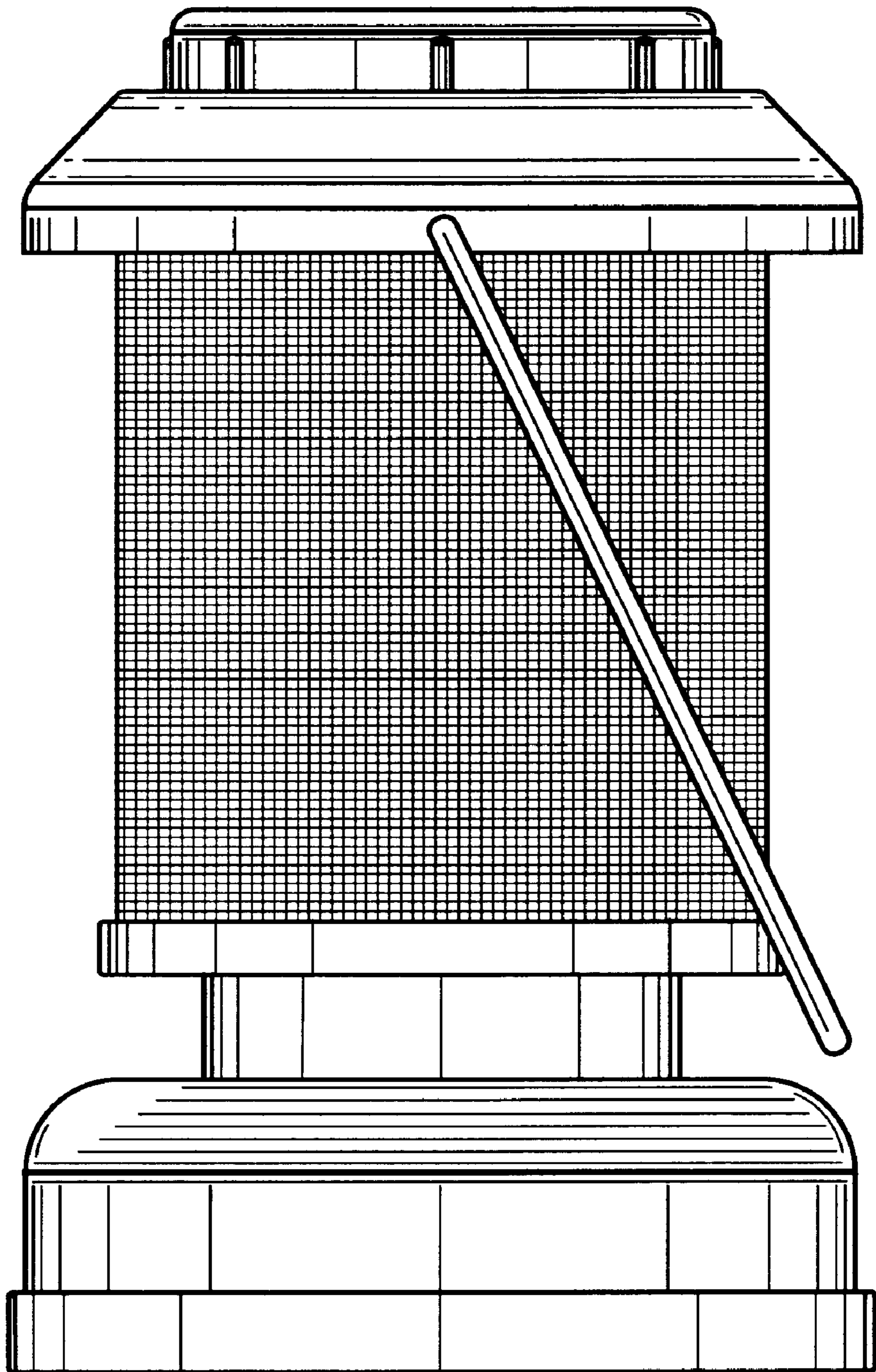


FIG. 2

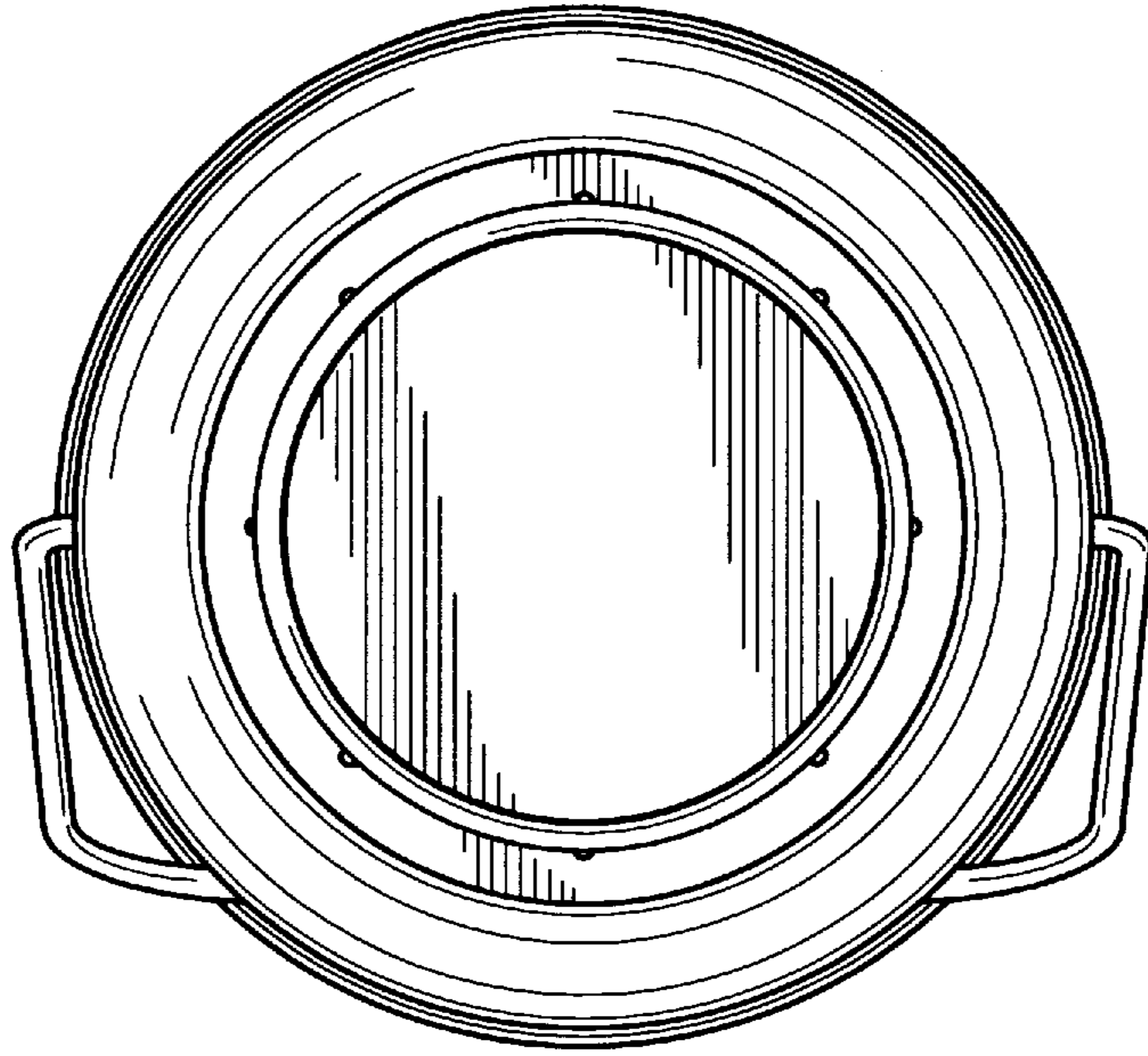


FIG. 3

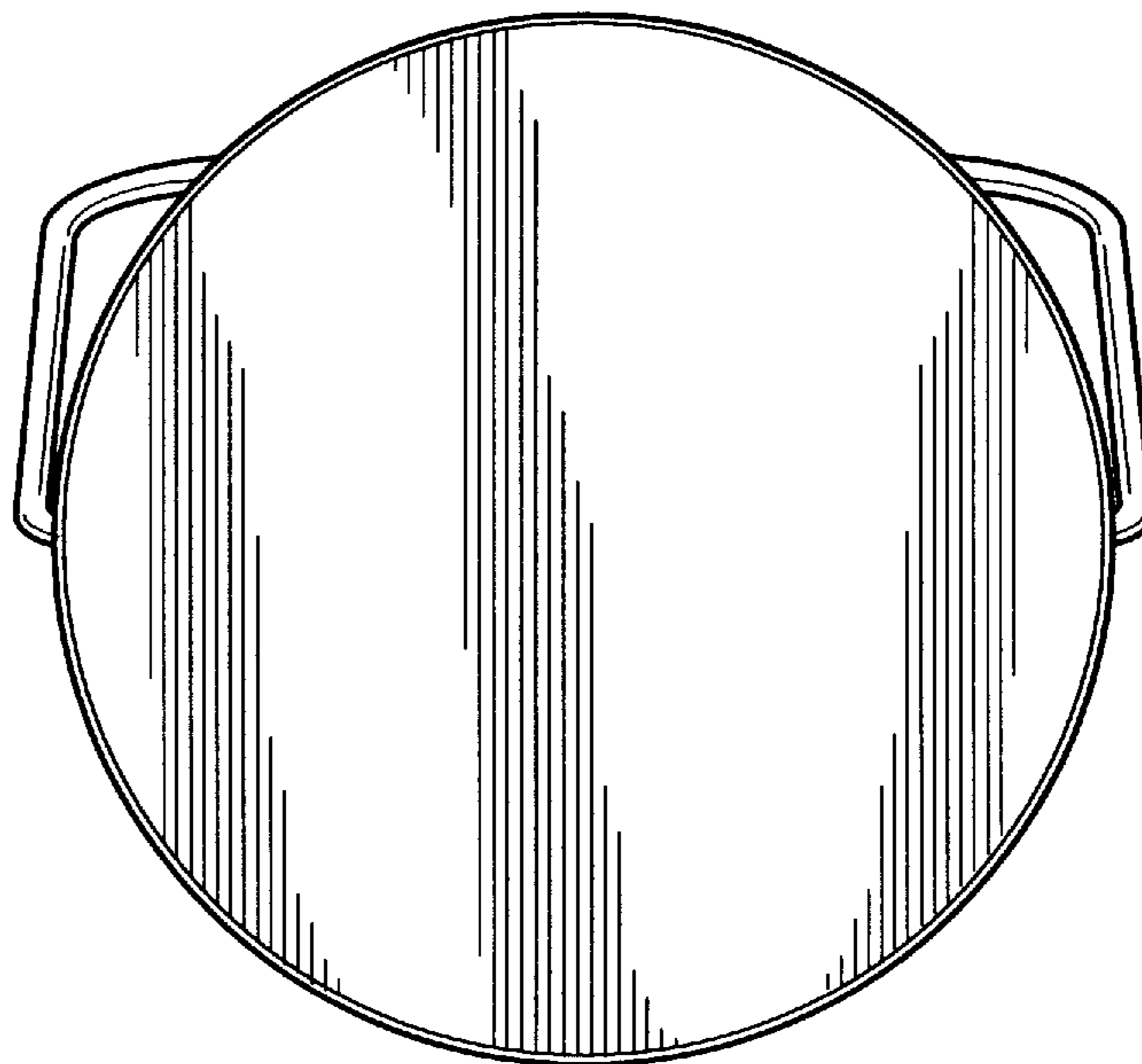


FIG. 4

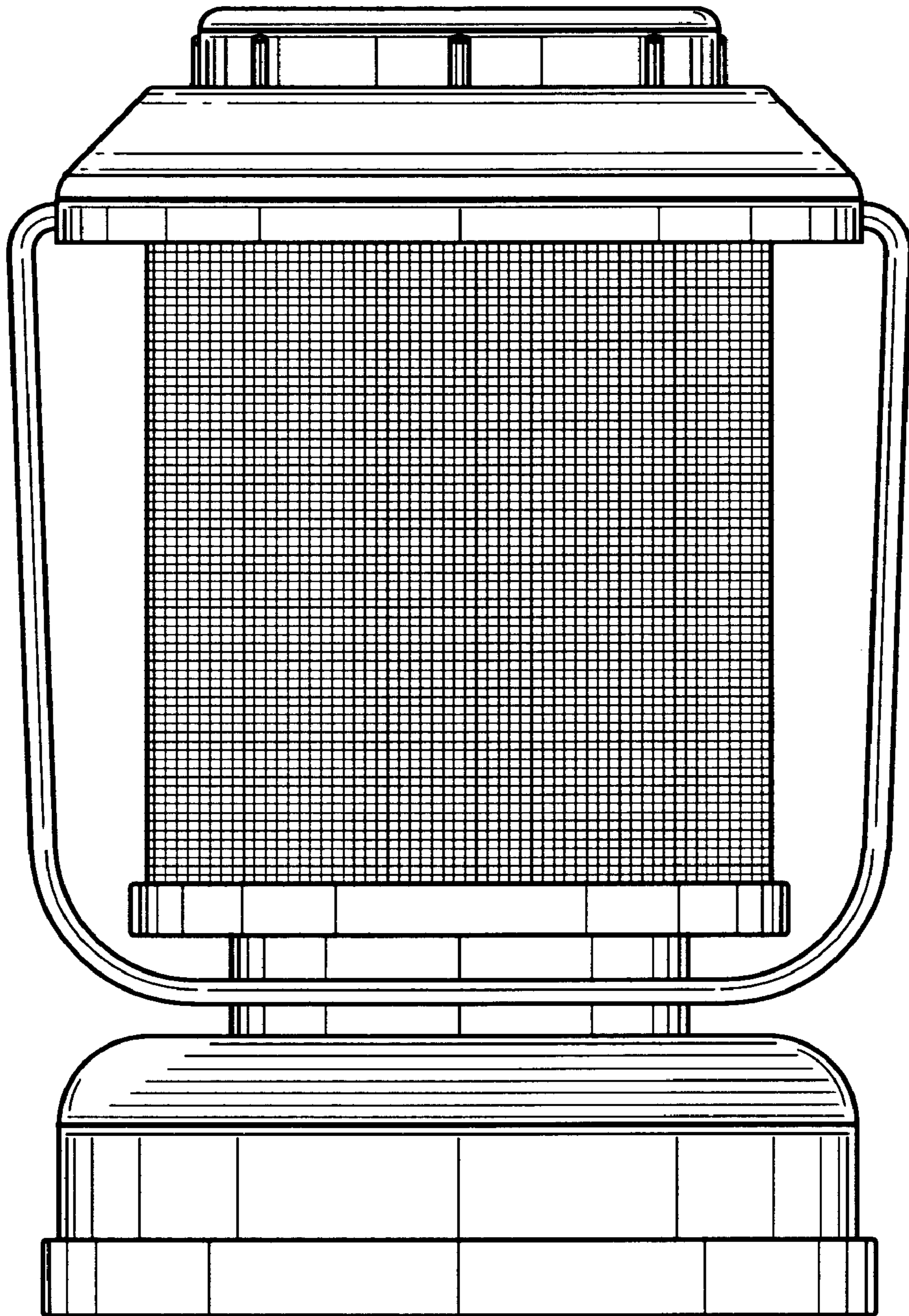


FIG. 5

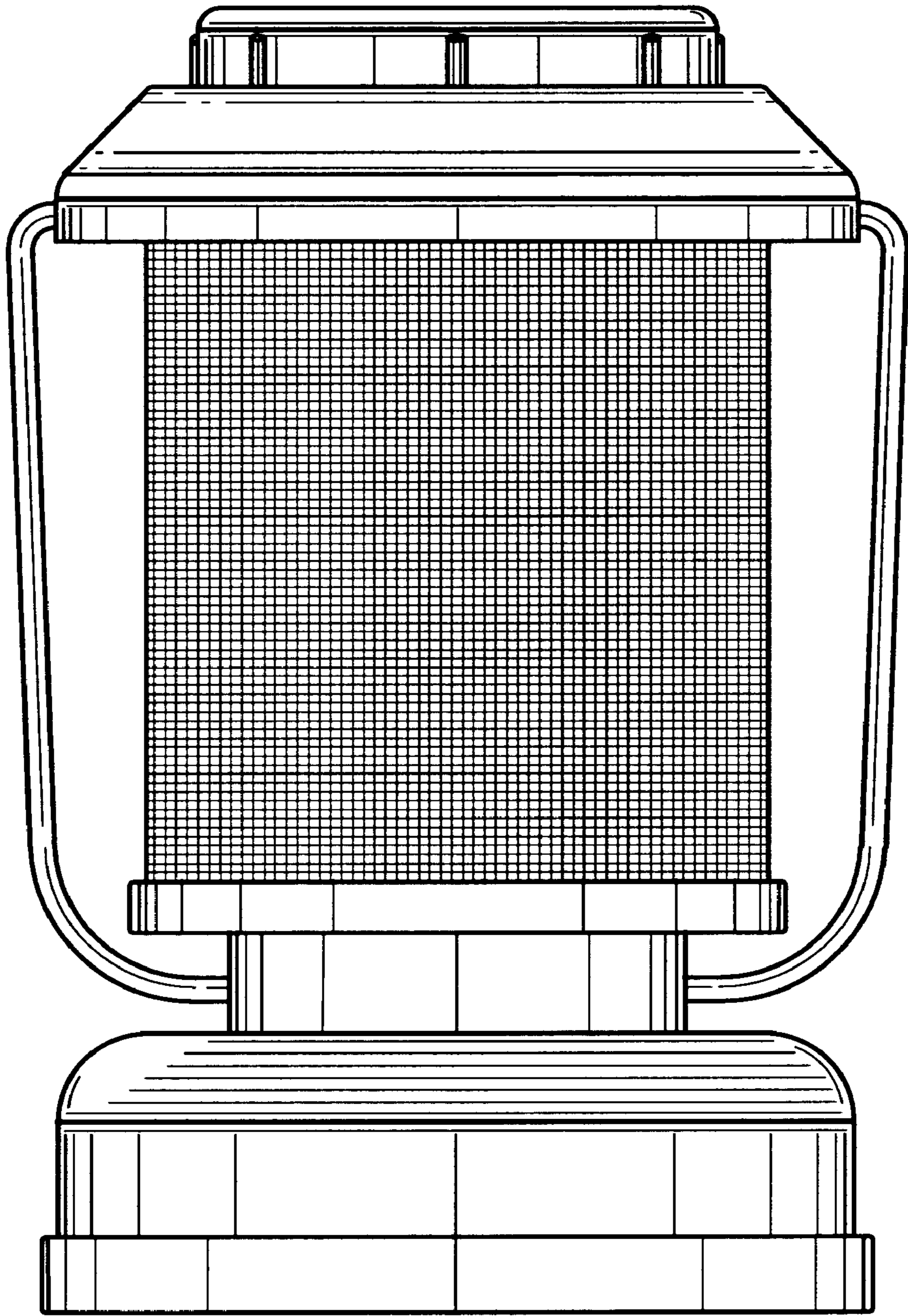


FIG. 6

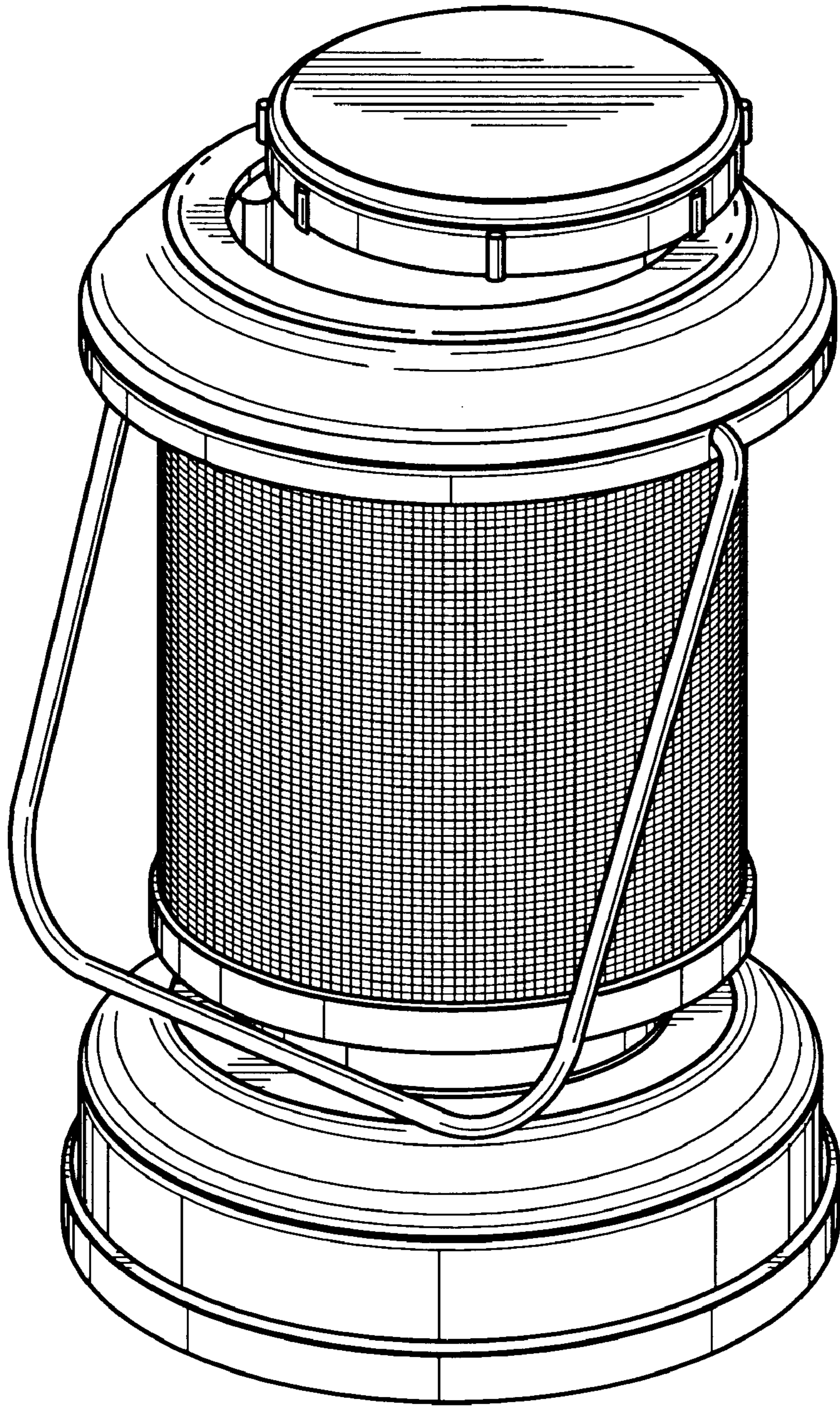


FIG. 7