



US00D426611S

United States Patent [19]
Behling

[11] **Patent Number: Des. 426,611**

[45] **Date of Patent: ** Jun. 13, 2000**

[54] **GUN BARREL**

[75] Inventor: **Carl H. Behling**, Upper St. Clair, Pa.

[73] Assignee: **Small Arms Mfg. Co., Inc.**,
Bridgeville, Pa.

[**] Term: **14 Years**

[21] Appl. No.: **29/105,929**

[22] Filed: **Jun. 4, 1999**

[51] **LOC (7) Cl.** **22-01**

[52] **U.S. Cl.** **D22/108; D22/100; D22/103;**
D22/199

[58] **Field of Search** D22/100, 103,
D22/108, 199; 42/76.01, 76.02, 78; 89/14.05,
16

[56] **References Cited**

U.S. PATENT DOCUMENTS

315,746	4/1885	Costa De Arguibel	42/78
1,167,233	1/1916	Warner	42/76.01
2,609,631	9/1952	Garand	42/76.01
2,792,657	5/1957	Slowter	42/76.02
3,673,916	7/1972	Wittholz	89/14.05
5,054,224	10/1991	Friar et al.	42/76.02
5,664,359	9/1997	Sabranski et al.	42/76.01

Primary Examiner—Louis S. Zarfes

Assistant Examiner—Monica A. Weingart

Attorney, Agent, or Firm—Webb Ziesenheim Logsdon
Orkin & Hanson, P.C.

[57] **CLAIM**

The ornamental design for a gun barrel, as shown and described.

DESCRIPTION

FIG. 1 is a perspective view of a first embodiment of a gun

barrel showing my new design, with a gun barrel borehole and gun stock in broken lines and which do not form a part of the new design;

FIG. 2 is a left side elevational view thereof, with the gun stock shown in broken lines;

FIG. 3 is a top plan view thereof without the gun stock shown in broken lines;

FIG. 4 is a bottom plan view thereof, without the gun stock shown in broken lines;

FIG. 5 is a right side elevational view thereof, without the gun stock shown in broken lines;

FIG. 6 is a front end view thereof, with the gun barrel borehole shown in broken lines;

FIG. 7 is a rear end view thereof showing the gun barrel borehole in broken lines;

FIG. 8 is a perspective view of a second embodiment of a gun barrel showing my new design, with a gun barrel borehole and a gun stock in broken lines and which do not form a part of the new design;

FIG. 9 is a left side elevational view of a second embodiment with the gun stock shown in broken lines;

FIG. 10 is a top plan view of the second embodiment with the gun stock in broken lines;

FIG. 11 is a bottom plan view of the second embodiment with the gun stock shown in broken lines;

FIG. 12 is a right side elevational view of the second embodiment with the gun stock shown in broken lines;

FIG. 13 is a front end view of the second embodiment with the gun barrel borehole shown in broken lines; and,

FIG. 14 is a rear end view of the second embodiment showing the gun barrel borehole in broken lines.

1 Claim, 4 Drawing Sheets

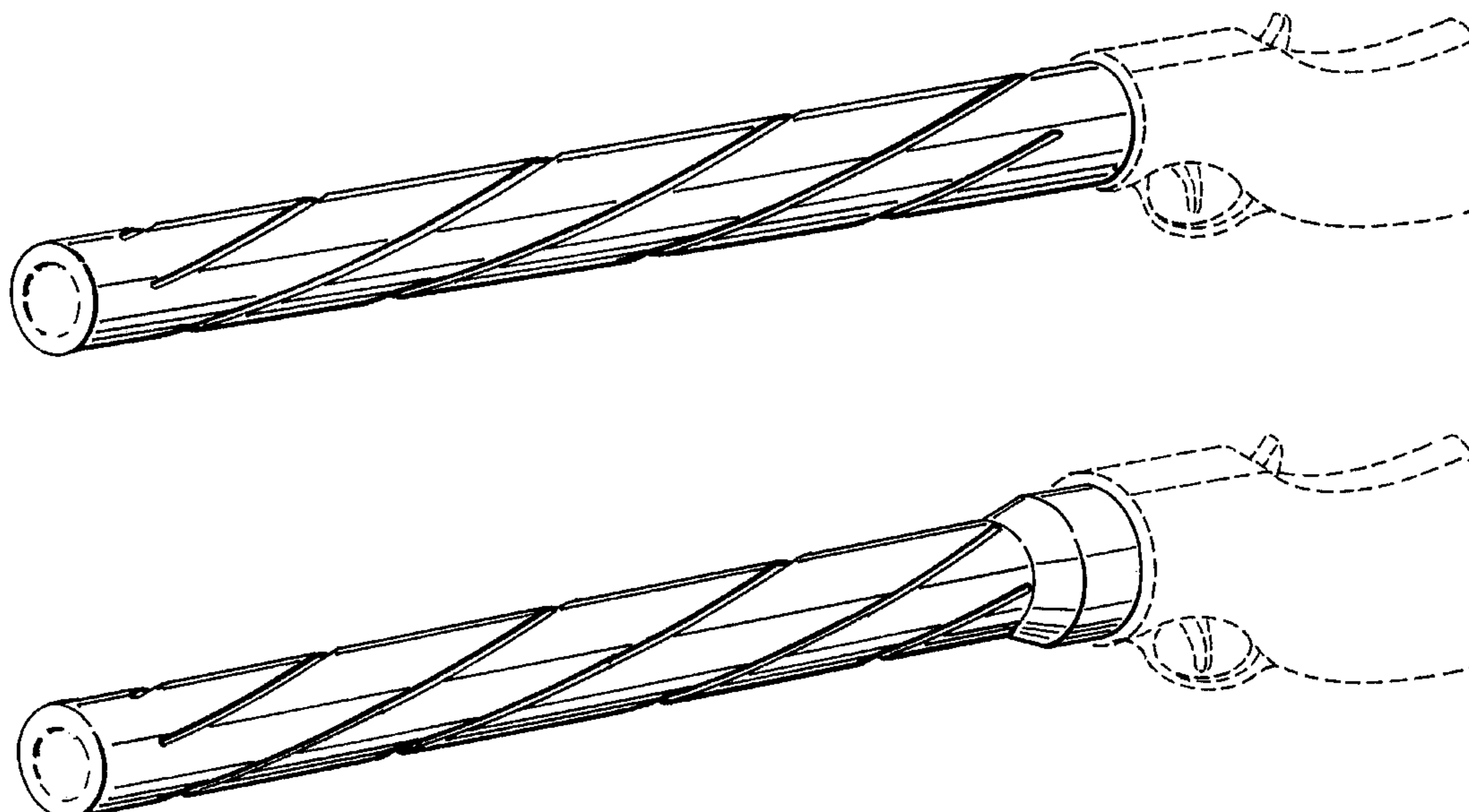




FIG. 1

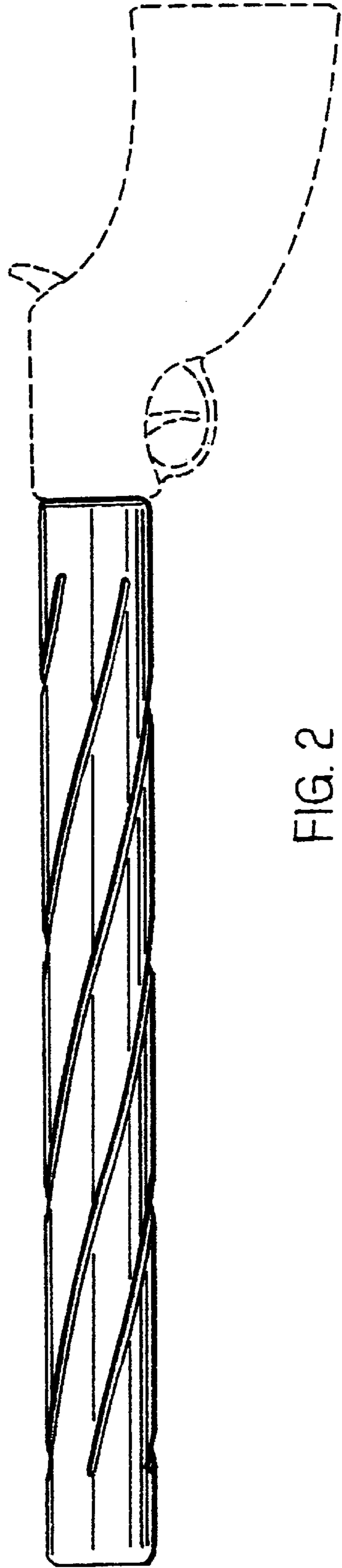


FIG. 2

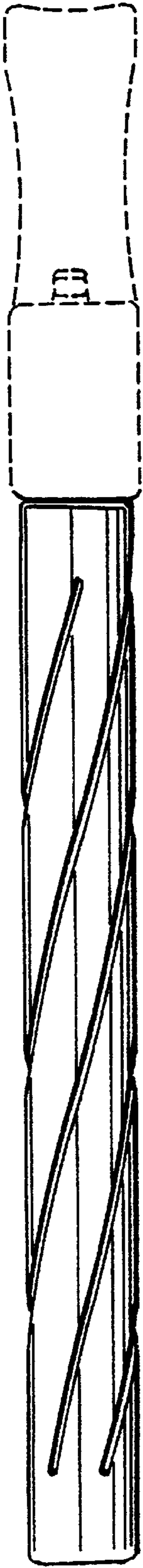


FIG. 3



FIG. 4

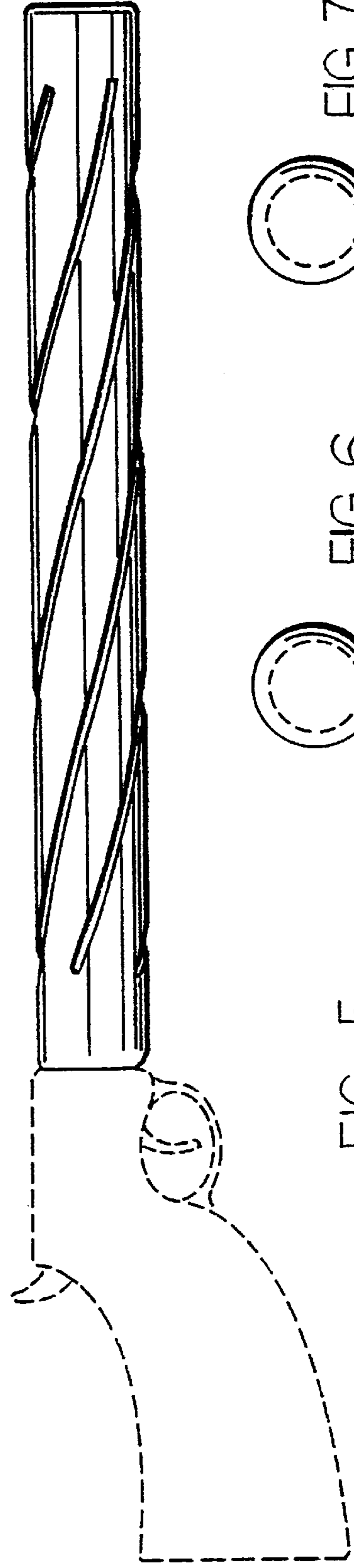


FIG. 5

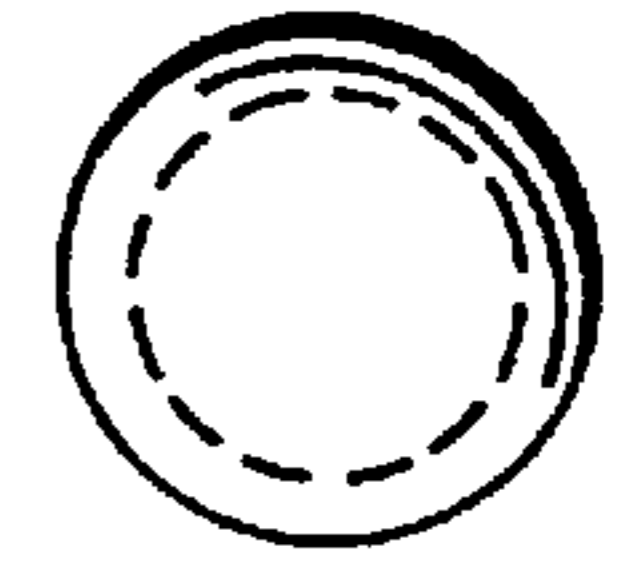


FIG. 6

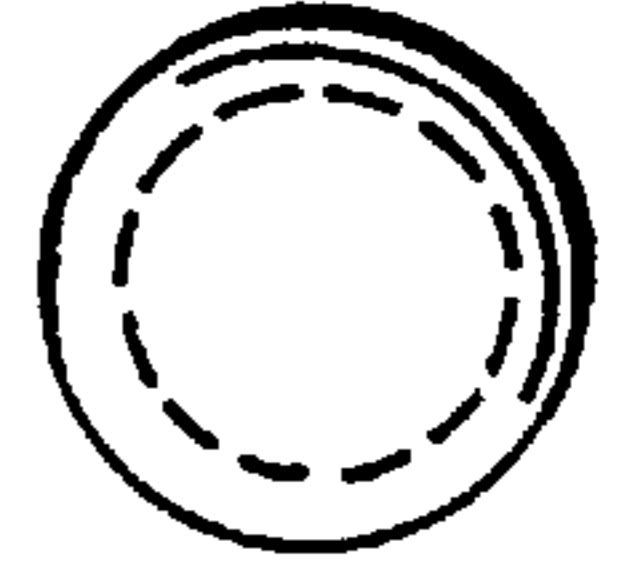


FIG. 7

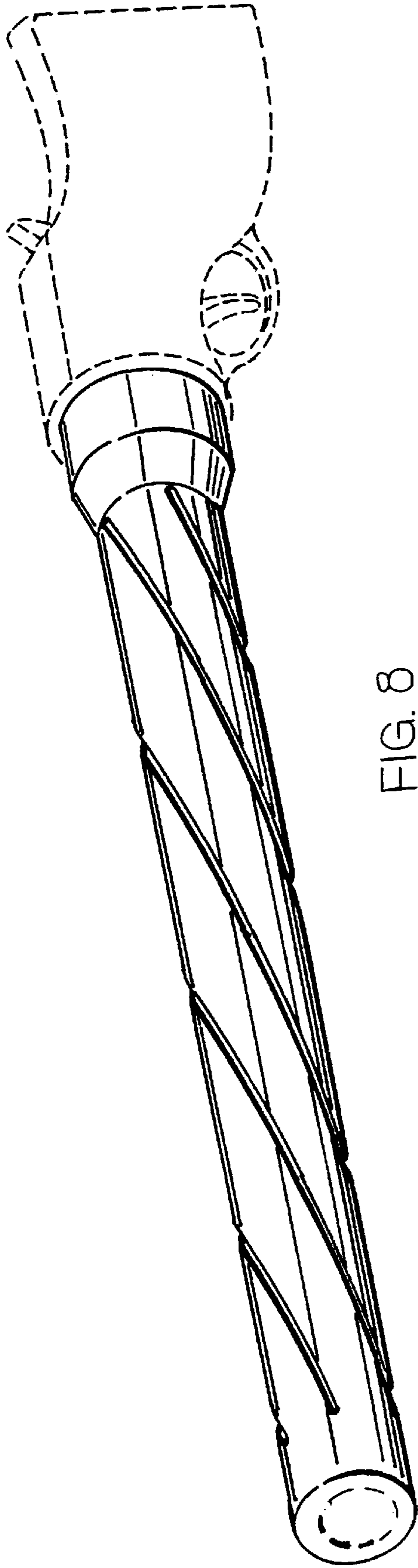


FIG. 8

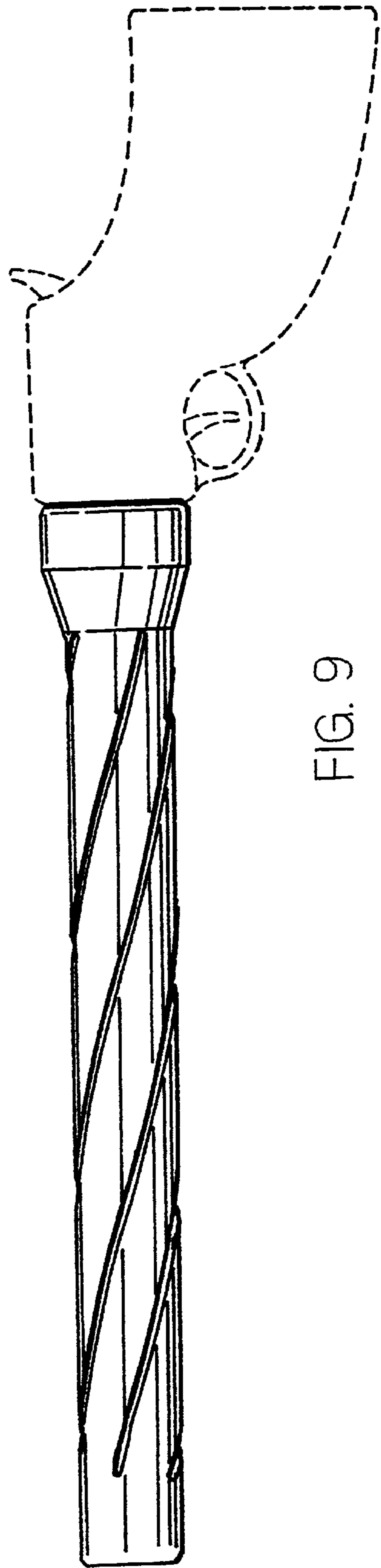


FIG. 9

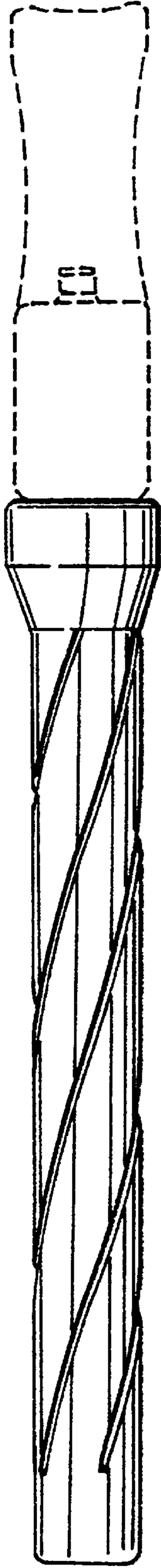


FIG. 10

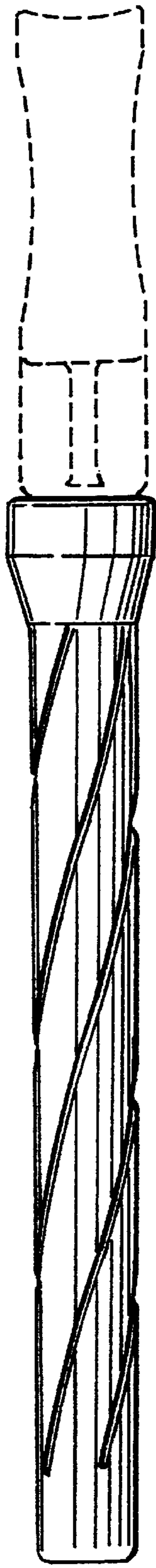


FIG. 11

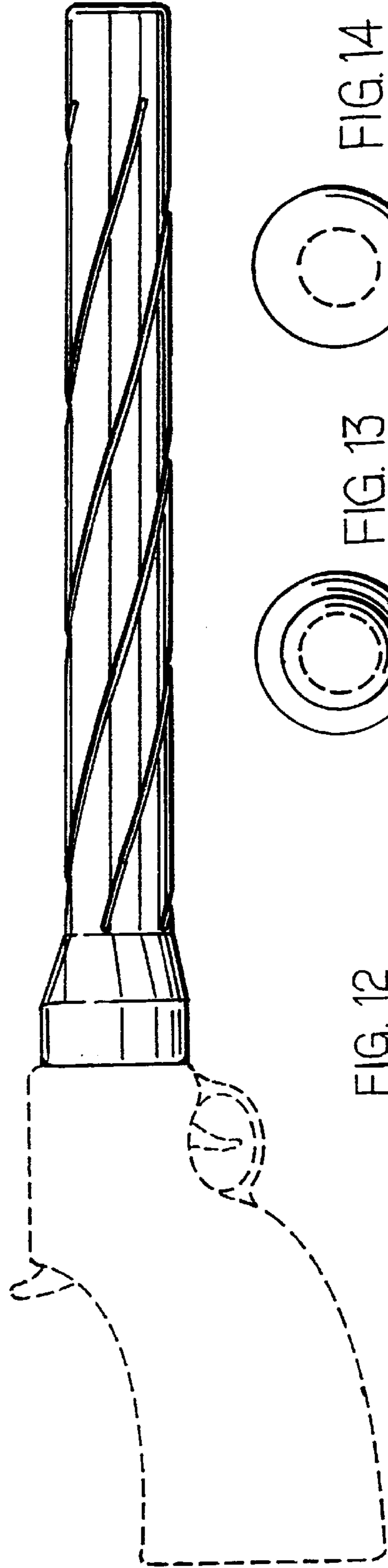


FIG. 12

FIG. 13

FIG. 14