



US00D426610S

United States Patent [19]

Hoermann

[11] Patent Number: Des. 426,610

[45] Date of Patent: ** Jun. 13, 2000

[54] HANDLING CONTAINER FOR GRANULAR MATERIALS

[76] Inventor: Karl L. Hoermann, Wittenberger Str. 25, 80993 Munich, Germany

[**] Term: 14 Years

[21] Appl. No.: 29/102,158

[22] Filed: Mar. 18, 1999

[51] LOC (7) Cl. 22-01

[52] U.S. Cl. D22/108; D22/100; D22/199

[58] Field of Search D22/100, 108, D22/199; 42/51, 87, 90; 89/1.3; D9/544, 573

[56] References Cited

U.S. PATENT DOCUMENTS

1,106	3/1839	Butterfield	42/51
5,402	12/1847	Rector	42/51
25,929	10/1859	Adams	89/1.3
D. 34,957	8/1901	Hess	D9/544
D. 36,956	6/1904	Ripley	D9/544
586,209	7/1897	Travis	42/87
4,050,175	9/1977	Mulinix	42/90
4,123,868	11/1978	Wilson	42/90

OTHER PUBLICATIONS

Traditions, Performance Firearms; Catalog 1999, p. 29, "Powder Flasks & Measures".

Sinclair International, Products for the Precision Shooter, Catalog 98-B, 1998, p. 83.

Redding Reloading Equipment, 1998, p. 48.

Primary Examiner—Louis S. Zarfes

Assistant Examiner—Monica A. Weingart

Attorney, Agent, or Firm—Griffin, Butler, Whisenhunt & Szipl, LLP

[57] CLAIM

The ornamental design for a handling container for granular materials, as shown and described.

DESCRIPTION

FIG. 1 is a bottom plan view of a first embodiment handling container for granular materials of this invention with a portion of a device for dosing granular materials, such as propellants, explosives and gunpowder, on which the container is mounted, being shown in dashed lines.

FIG. 2 is a side elevational view of the handling container of FIG. 1;

FIG. 3 is another side elevational view of the handling container of FIG. 1 as seen from a different direction, all sides of the container having the same appearance;

FIG. 4 is a top plan view of the handling container of FIG. 1;

FIG. 5 is a bottom plan view of a second embodiment handling container for granular materials with a portion of a device for dosing granular materials, such as propellants, explosives and gunpowder, on which the container is mounted, being shown in dashed lines;

FIG. 6 is a side elevational view of the handling container of FIG. 5;

FIG. 7 is another side elevational view of the handling container of FIG. 5 as seen from a different direction, all sides of the container having the same appearance; and,

FIG. 8 is a top plan view of the handling container of FIG. 5.

The broken line showing of the articles for dosing granular materials shown in Figs 1-8 is for illustrative purposes only and forms no part of the claimed design.

1 Claim, 2 Drawing Sheets

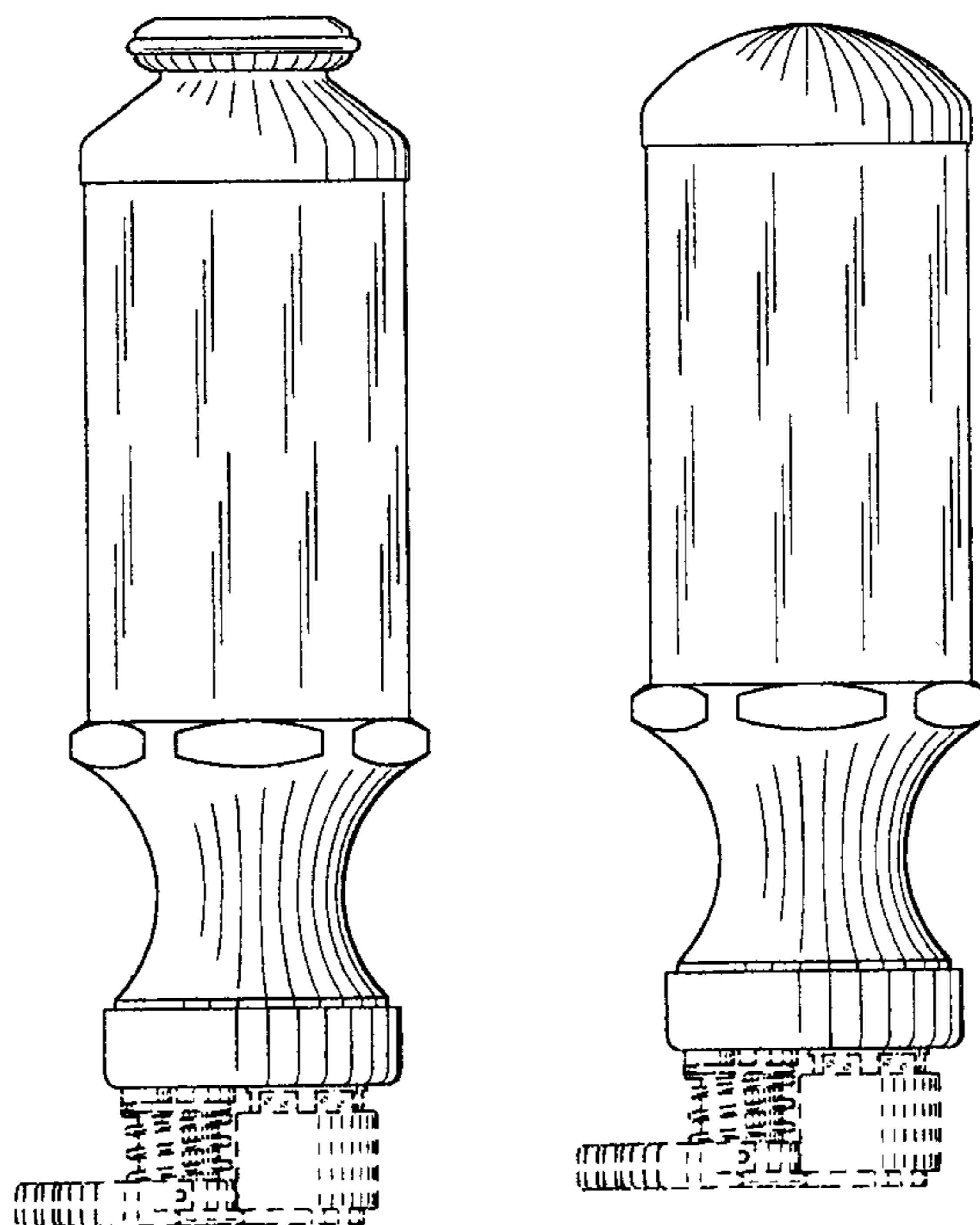


Fig. 1

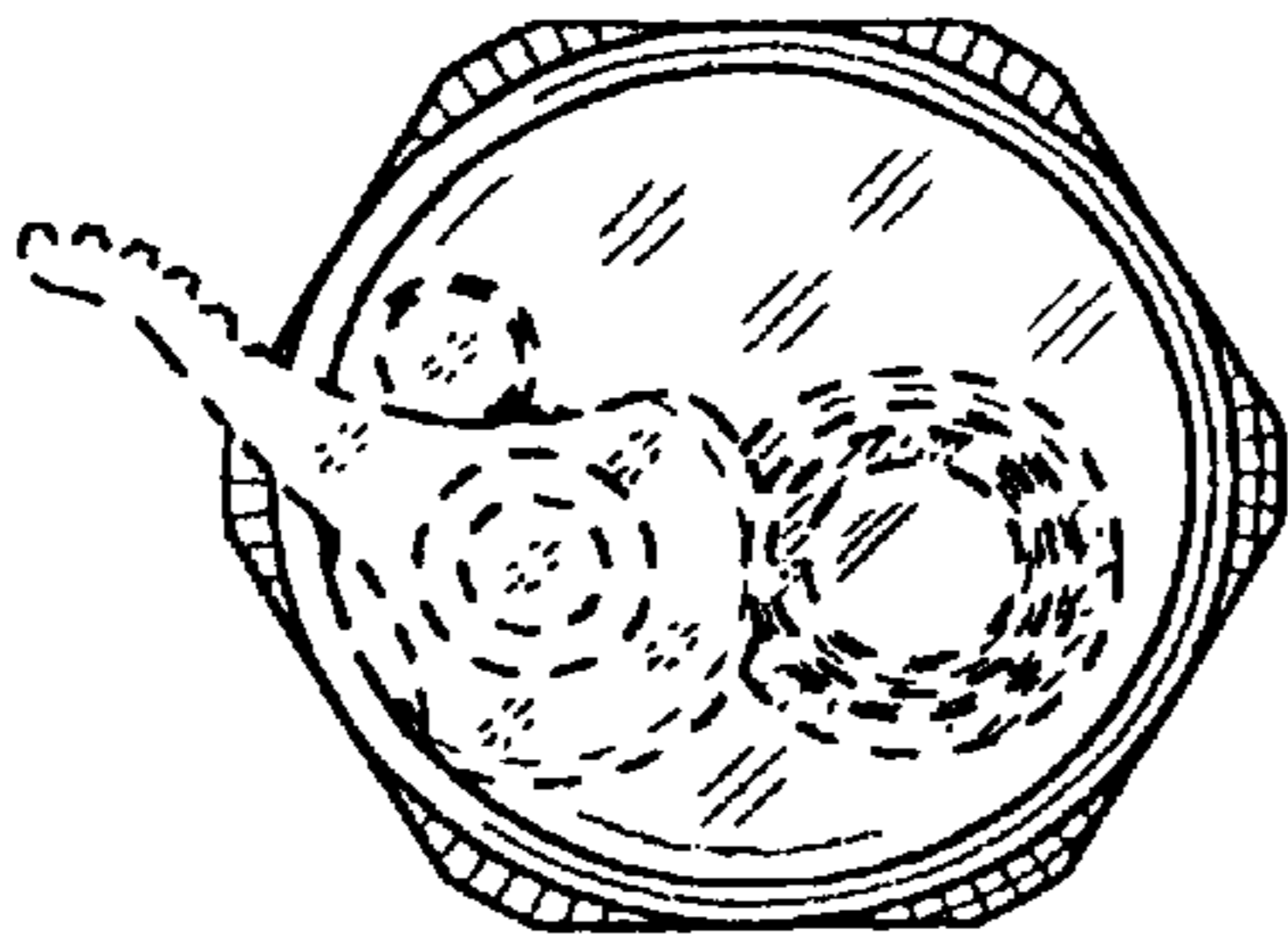


Fig. 2

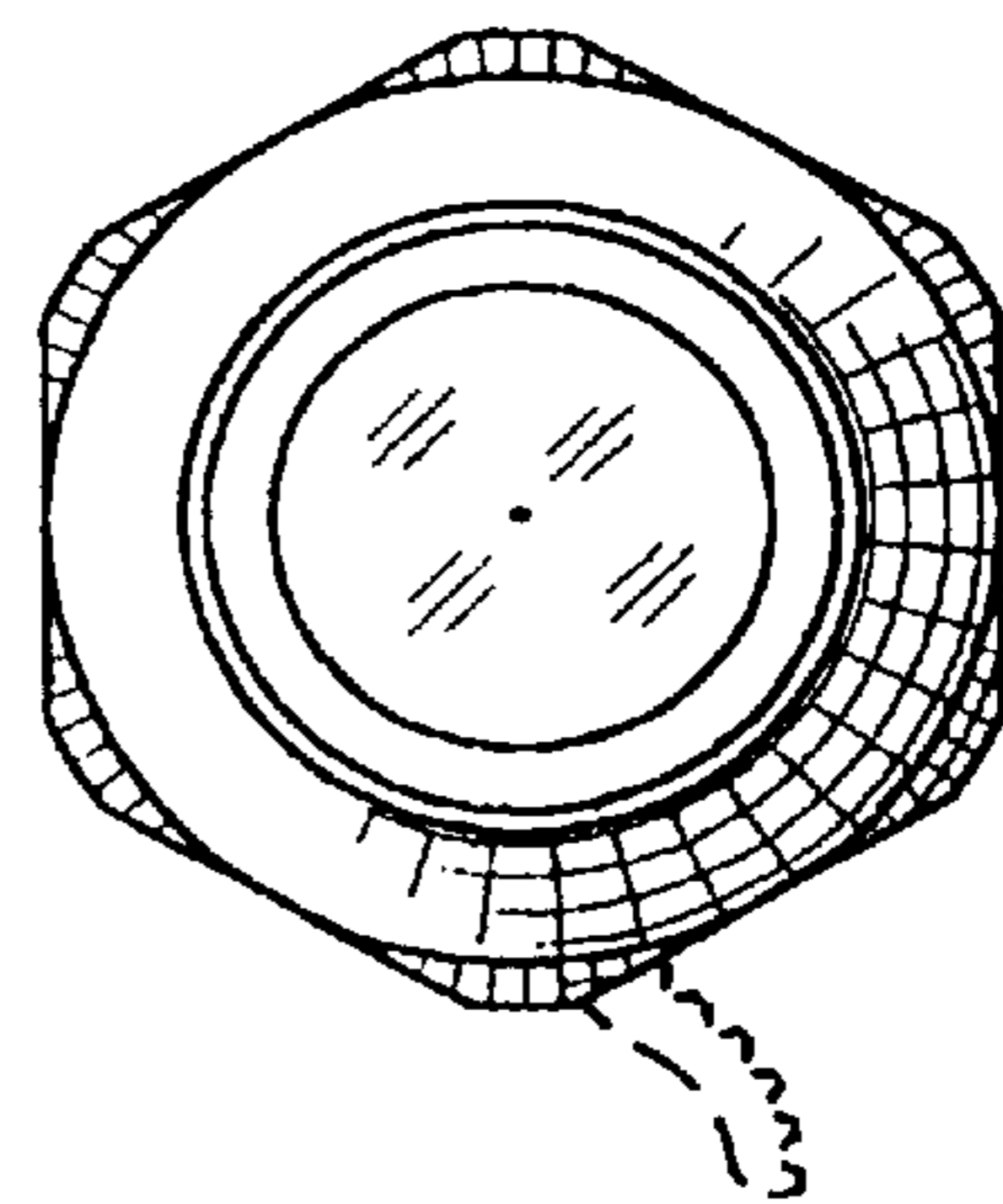
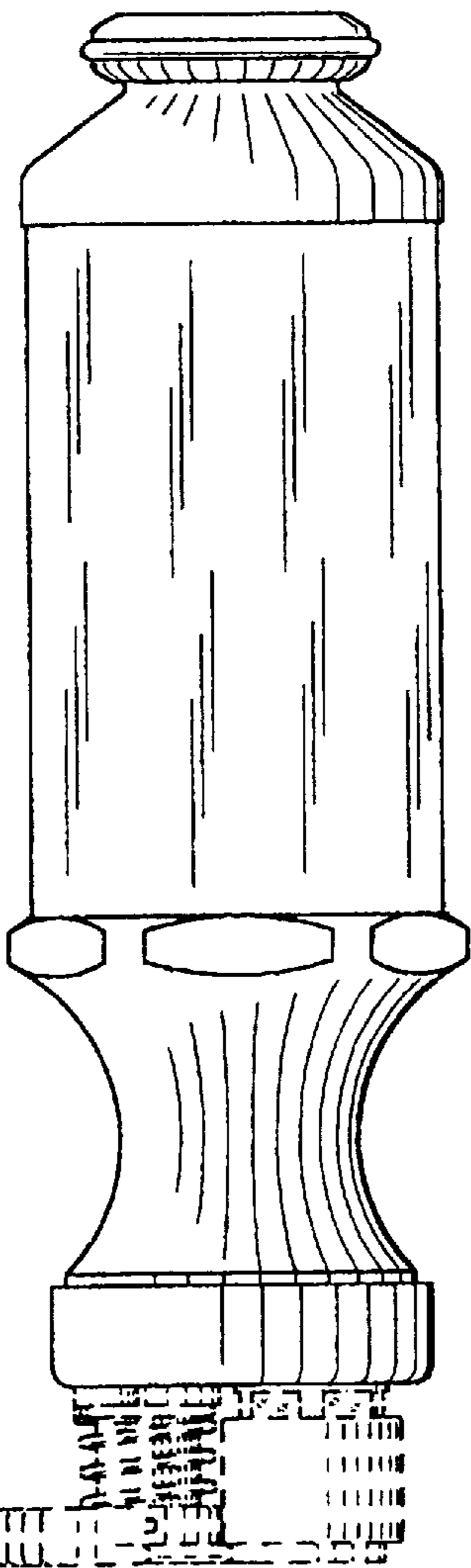
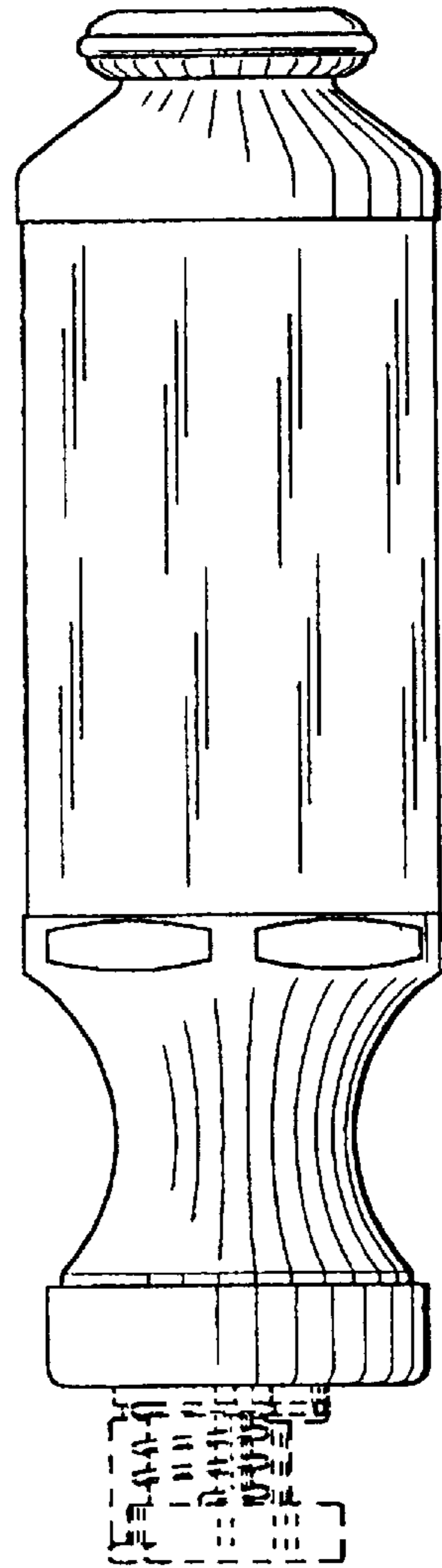


Fig. 3

Fig. 4

Fig. 5

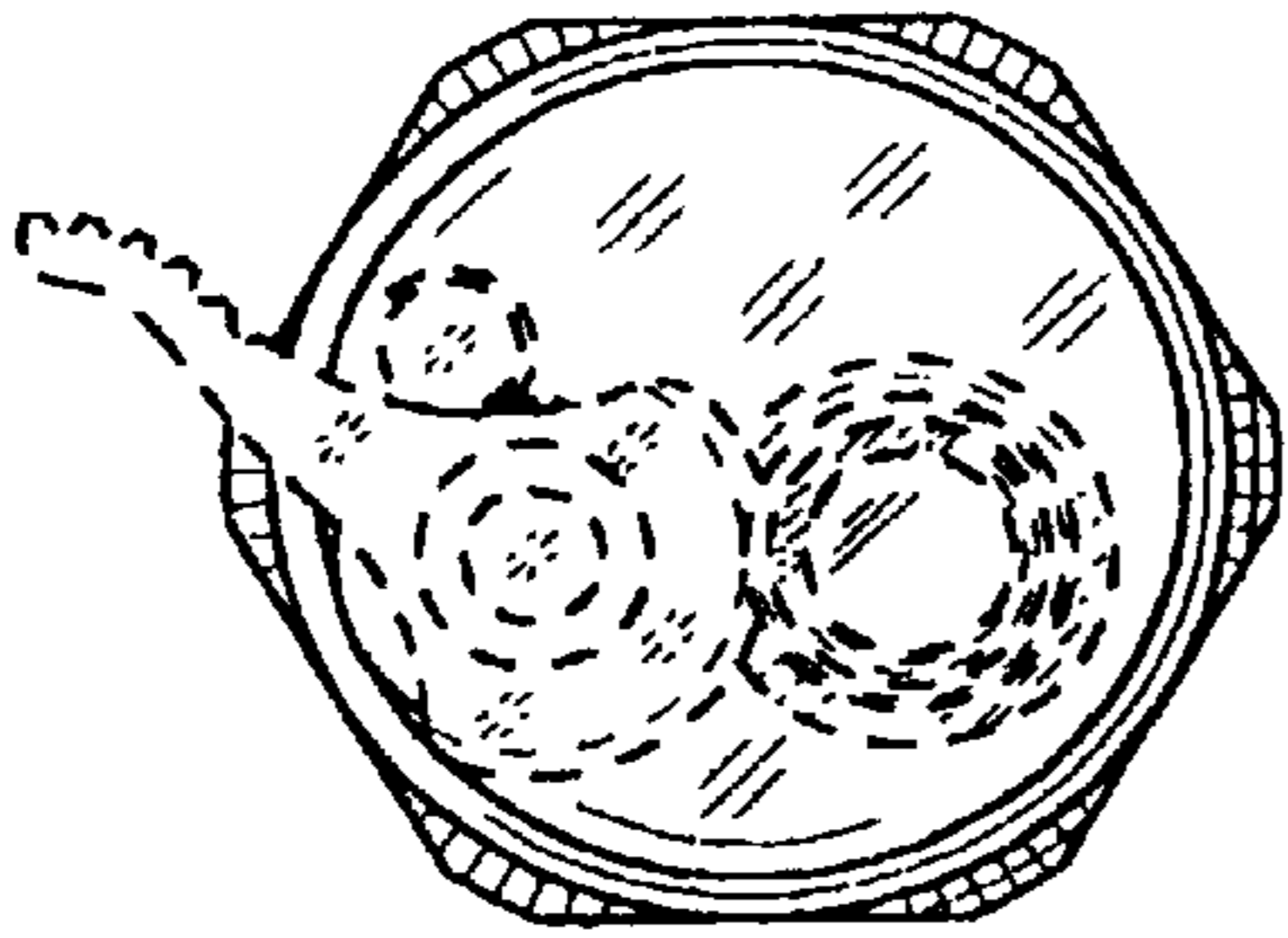


Fig. 6

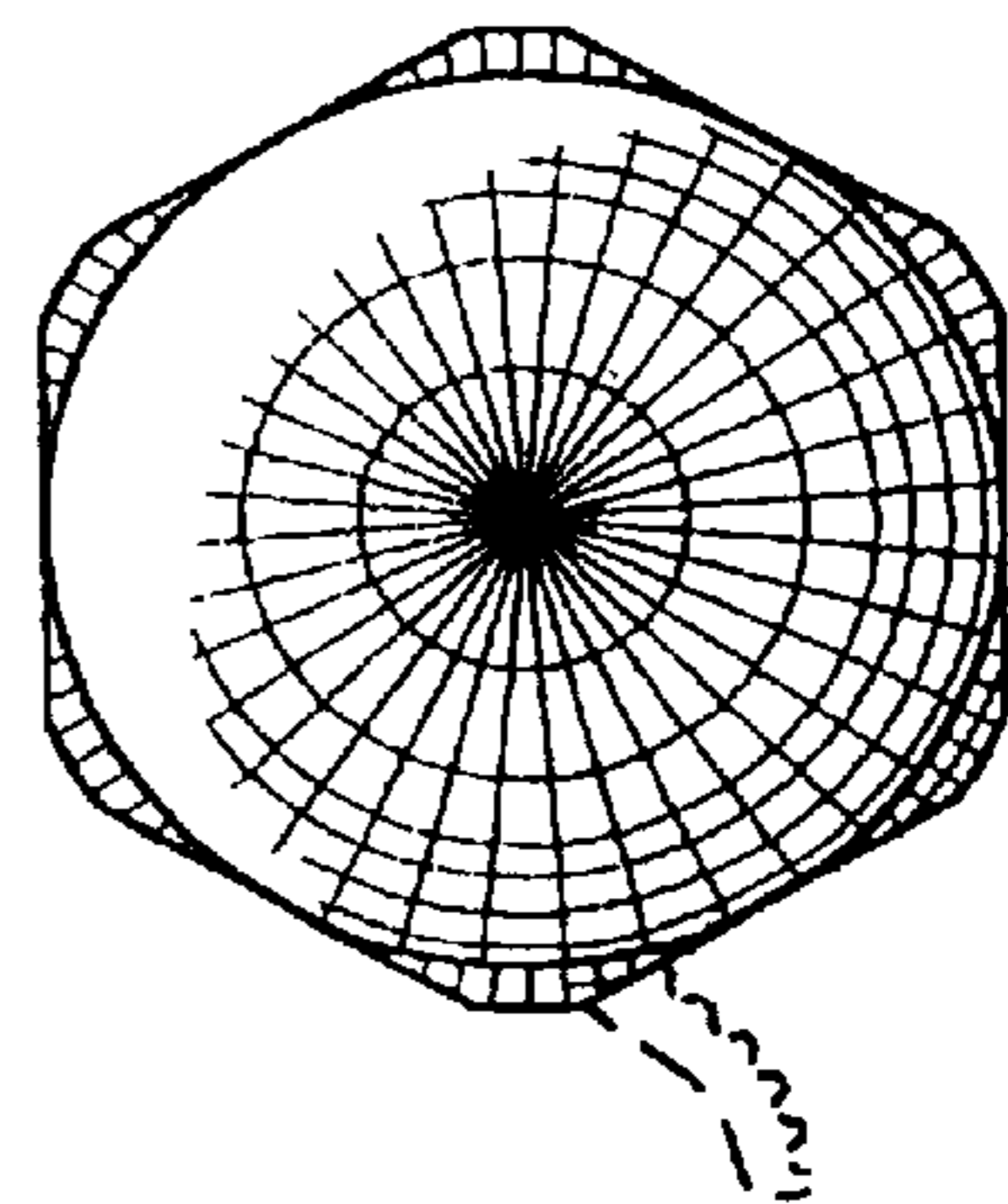
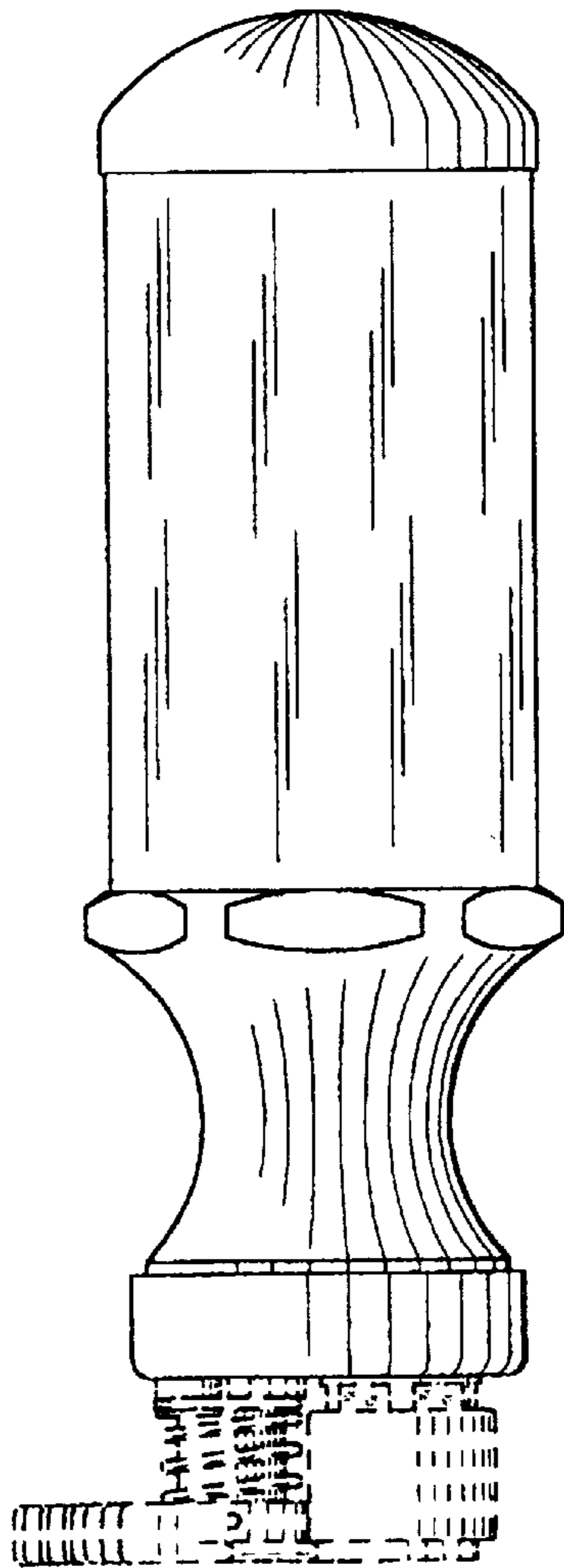
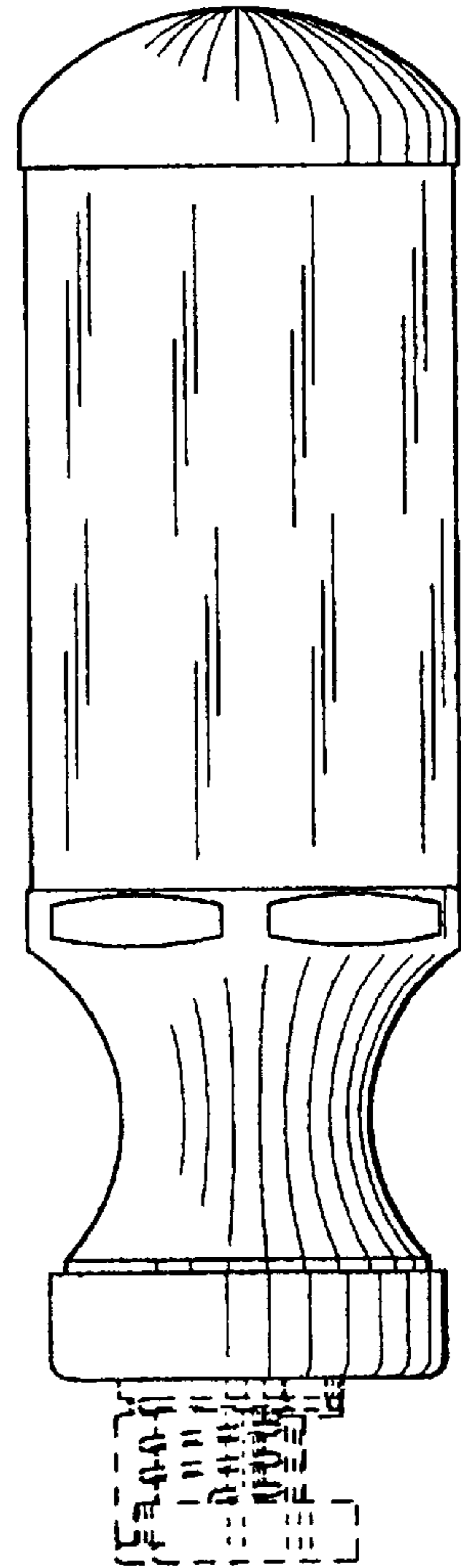


Fig. 7

Fig. 8