



US00D426609S

United States Patent [19] Manus

[11] **Patent Number: Des. 426,609**
[45] **Date of Patent: ** Jun. 13, 2000**

[54] **PLAYGROUND CLIMBER**

1405885 9/1975 United Kingdom 482/35

[76] Inventor: **Ray G. Manus**, 6334 US Hwy. 221-A,
Mooresboro, N.C. 28114

[**] Term: **14 Years**

[21] Appl. No.: **29/005,458**

[22] Filed: **Mar. 5, 1993**

Related U.S. Application Data

[62] Division of application No. 07/509,617, Apr. 6, 1990.

[51] **LOC (7) Cl.** **21-03**

[52] **U.S. Cl.** **D21/826**

[58] **Field of Search** D21/244, 245,
D21/240; 472/2; 482/35, 36, 37, 148

[56] References Cited

U.S. PATENT DOCUMENTS

D. 100,562	7/1936	Horne	D21/245
D. 176,999	3/1956	Ahrens	D21/245
D. 225,344	12/1972	Henning et al.	D21/245
1,471,465	10/1923	Hinton	D21/245 X
2,206,581	7/1940	Shapiro	D21/245 X
3,211,452	10/1965	Ahrens	482/35
3,850,428	11/1974	Zuber	482/36
4,580,777	4/1986	Johnson	D21/245 X

FOREIGN PATENT DOCUMENTS

2026417 12/1971 Germany 482/35

OTHER PUBLICATIONS

Popular Science, Jul. 1982, pp. 88 and 96.
General Playground Eqpt. Inc, 1948, p. 27 Biker Racks.
Jamison, 1965, p. 3, # 215-502.
Mexico Forge 1984, p. 63 # 675-000.

Primary Examiner—Prabhakar Deshmukh

[57] CLAIM

The ornamental design for the playground climber, as shown and described.

DESCRIPTION

FIG. 1 is a perspective view of a playground climber showing my new design;

FIG. 2 is a top plan view thereof;

FIG. 3 is a front elevational view thereof; the rear, left, and the right side elevational views being a mirror image thereof;

FIG. 4 is a perspective view of a second embodiment of FIG. 1;

FIG. 5 is a top plan view of FIG. 4;

FIG. 6 is a front elevational view of FIG. 4; the rear elevational view being a mirror image thereof; and,

FIG. 7 is a right side elevational view of FIG. 4; the left side elevational view being a mirror image thereof.

1 Claim, 7 Drawing Sheets

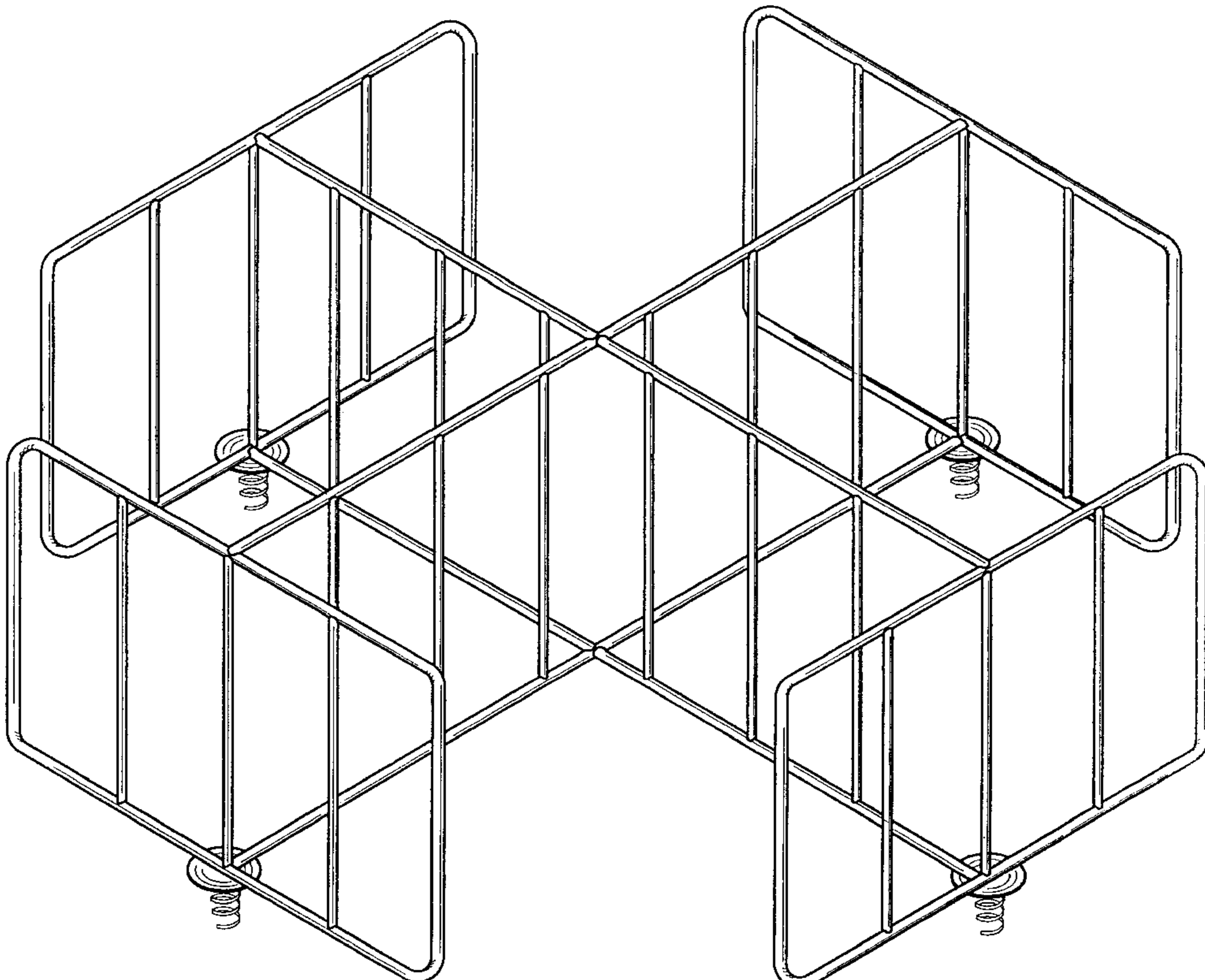


FIG. 1

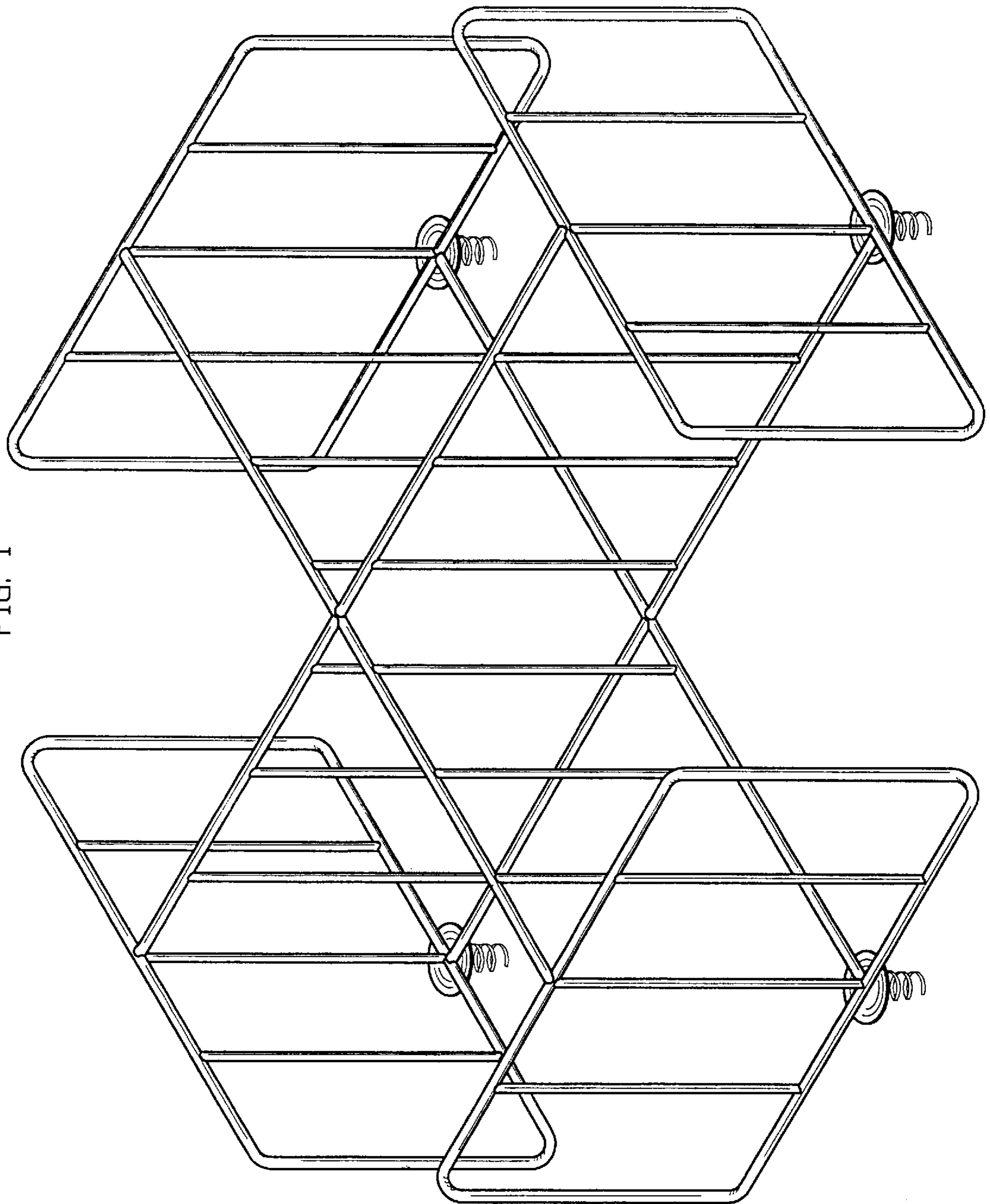


FIG. 2

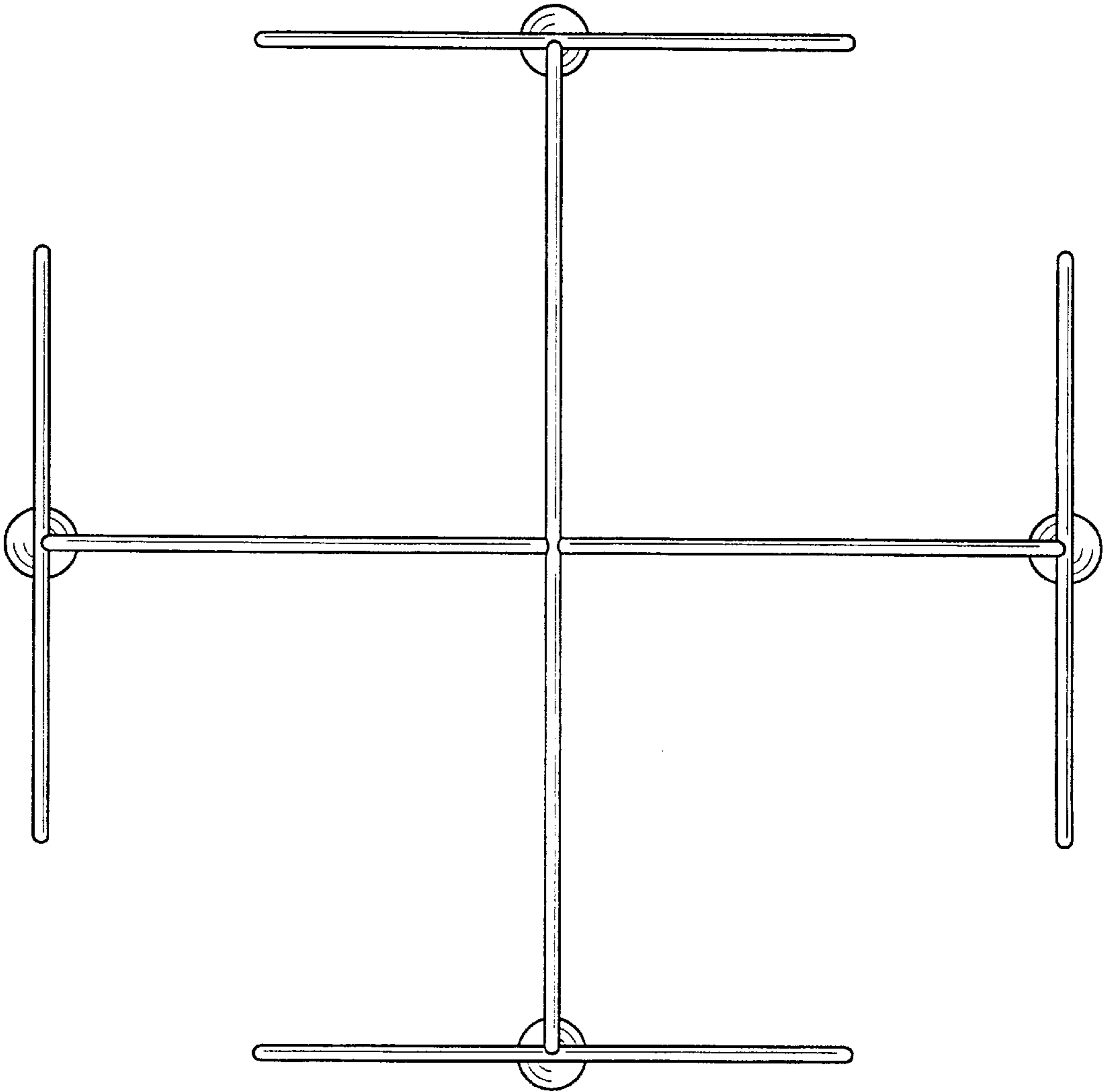
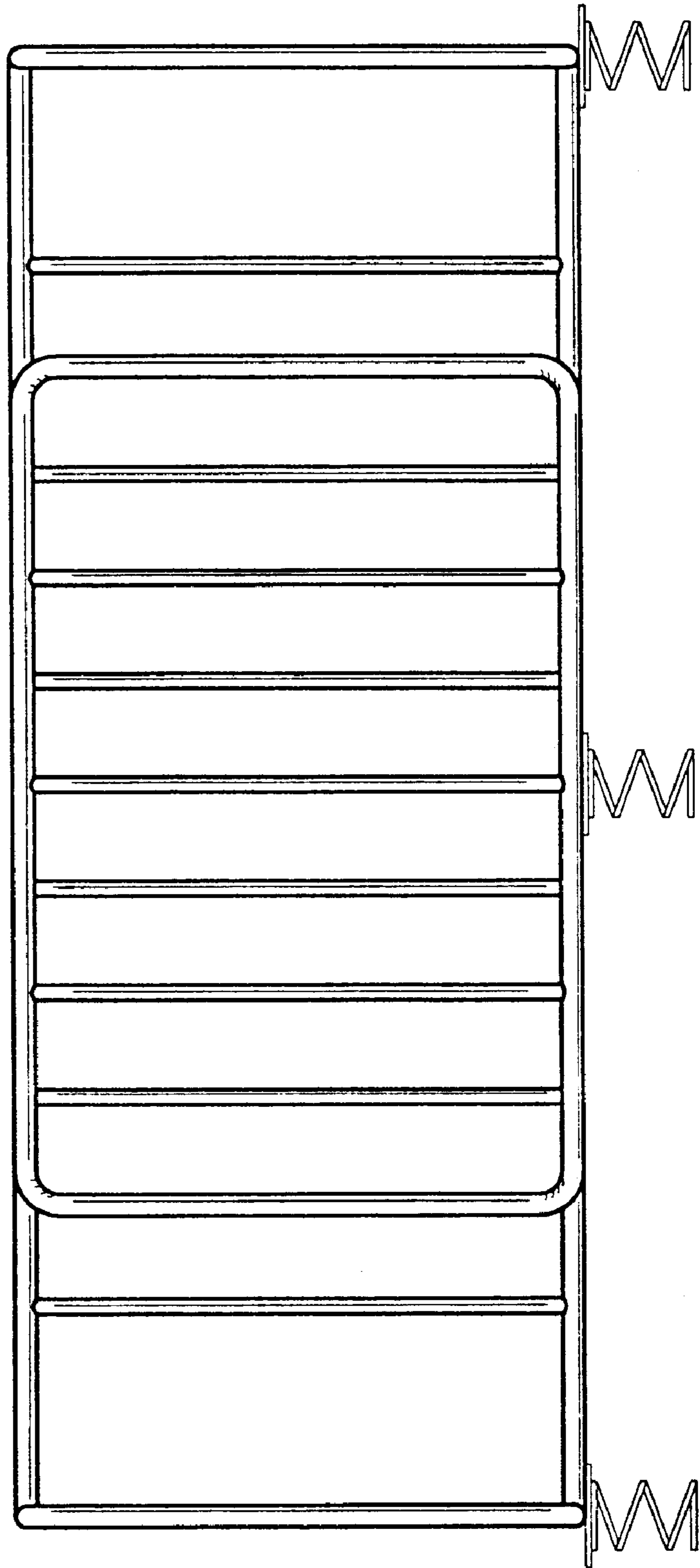


FIG. 3



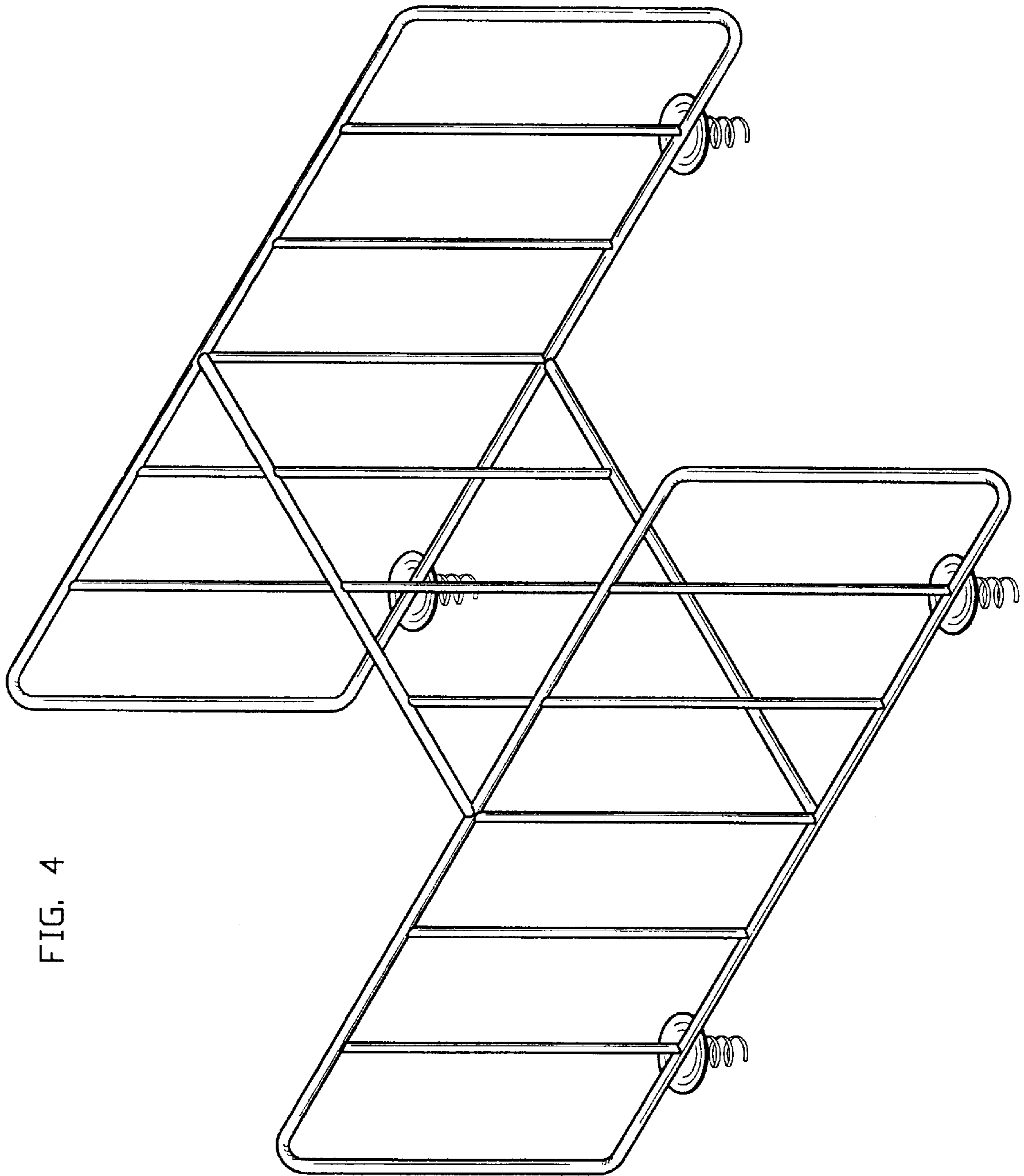


FIG. 4

FIG. 5

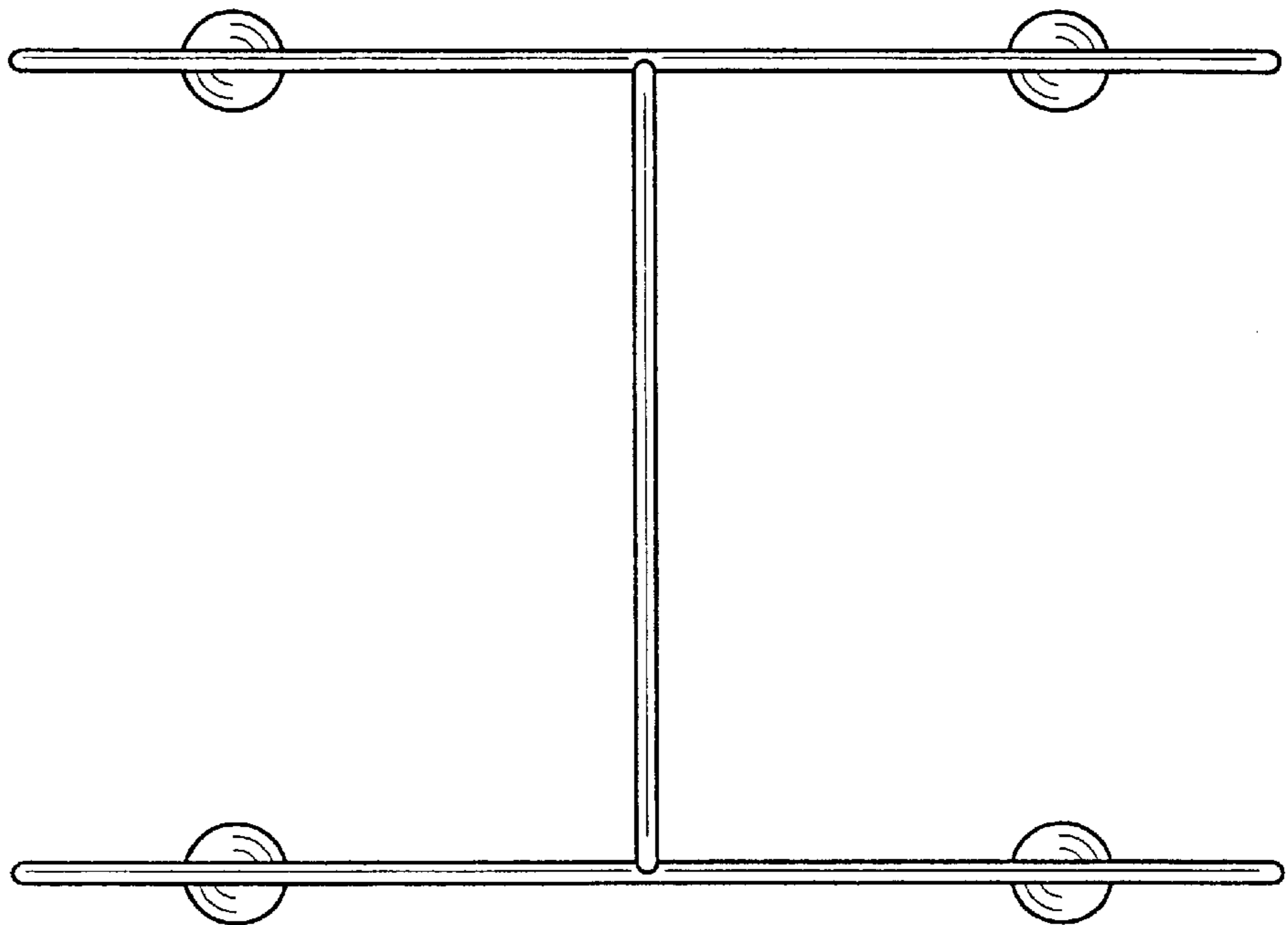


FIG. 6

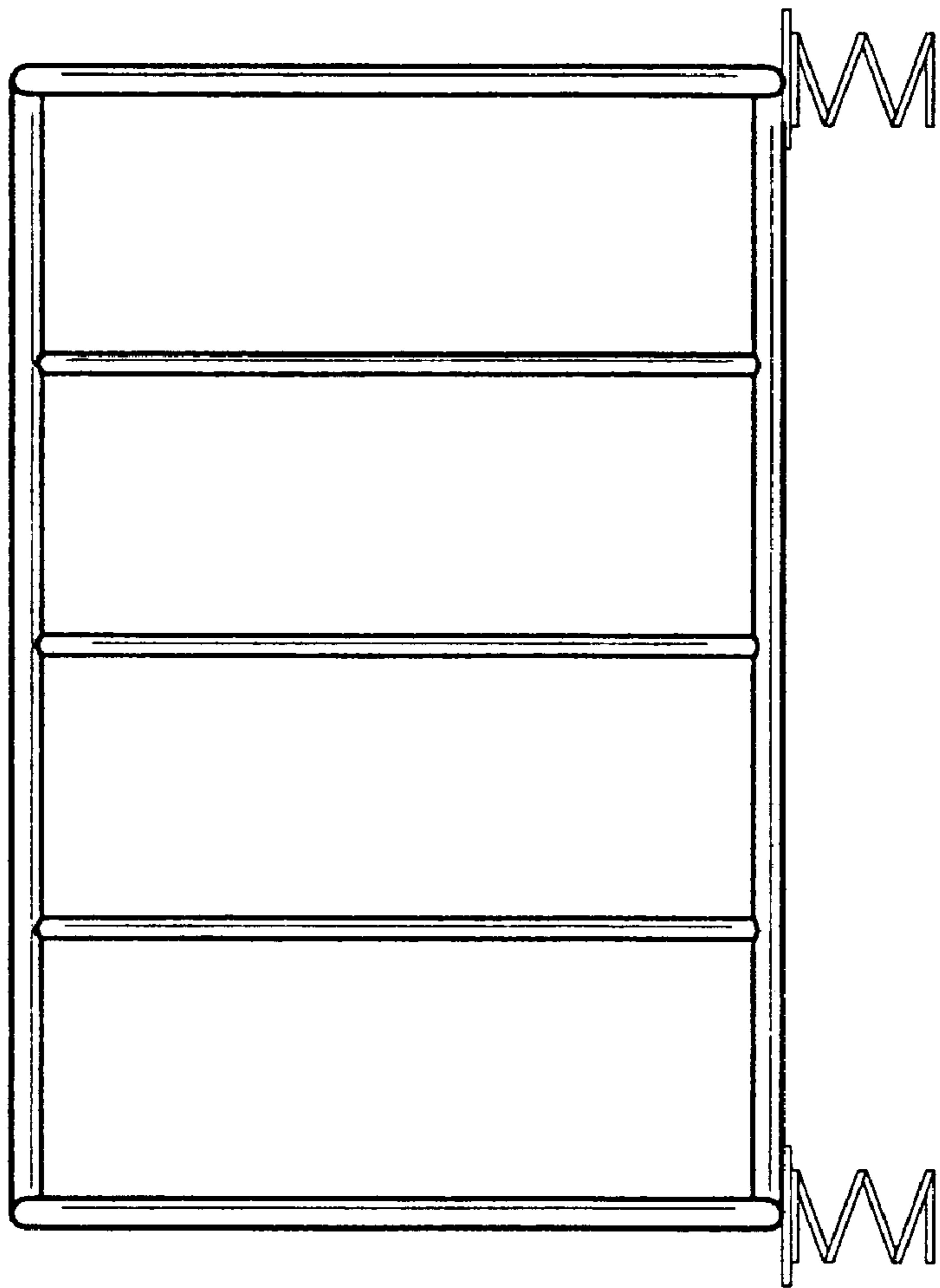


FIG. 7

