



US00D426608S

United States Patent [19]
Mulvihill

[11] **Patent Number: Des. 426,608**

[45] **Date of Patent: ** Jun. 13, 2000**

[54] **VAULTING HORSE TRAINING PAD**

[75] Inventor: **Richard Mulvihill**, Eugene, Oreg.

[73] Assignee: **American Sports International, Ltd.**,
Jefferson, Iowa

[**] Term: **14 Years**

[21] Appl. No.: **29/087,023**

[22] Filed: **Apr. 24, 1998**

[51] **LOC (7) Cl.** **21-02**

[52] **U.S. Cl.** **D21/797; D6/601**

[58] **Field of Search** D21/797, 662,
D21/686, 694; D6/596, 601; 482/23, 25,
142, 148

[56] **References Cited**

U.S. PATENT DOCUMENTS

D. 176,758	1/1956	Edmonson	D6/601
D. 247,209	2/1978	Woog	D6/601
D. 286,239	10/1986	Scheurer et al.	D6/601
D. 308,150	5/1990	Salmirs	D6/601
D. 312,741	12/1990	Treadwell	D6/601

D. 317,541	6/1991	Carwile	D6/601
D. 318,392	7/1991	Edelson	D6/601
D. 364,065	11/1995	Peart et al.	D6/601
D. 405,308	2/1999	Orozco	D6/601

Primary Examiner—Philip S. Hyder
Attorney, Agent, or Firm—Zarley, McKee, Thomte,
Voorhees & Sease

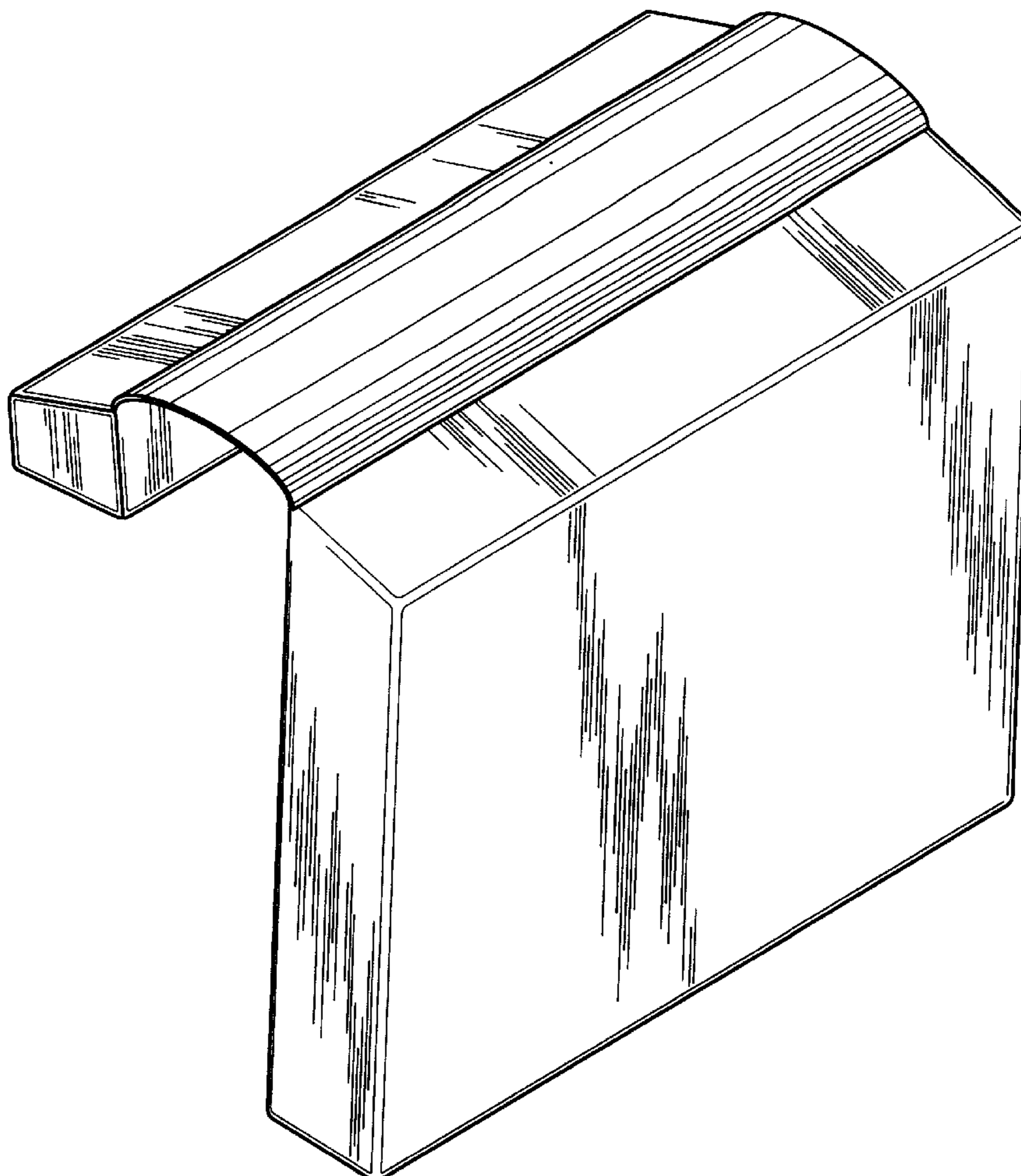
[57] **CLAIM**

I claim the ornamental design for a vaulting horse training pad, as shown and described.

DESCRIPTION

FIG. 1 is a perspective view of a vaulting horse training pad showing my new design;
FIG. 2 is an end view showing the end depicted in FIG. 1, the opposite end view being a mirror image thereof;
FIG. 3 is a top plan view thereof;
FIG. 4 is a side elevational view thereof as seen from the lefthand side of FIG. 2; and,
FIG. 5 is a side elevational view as seen from the righthand side of FIG. 2.
The bottom plan view is the same as FIG. 3.

1 Claim, 2 Drawing Sheets



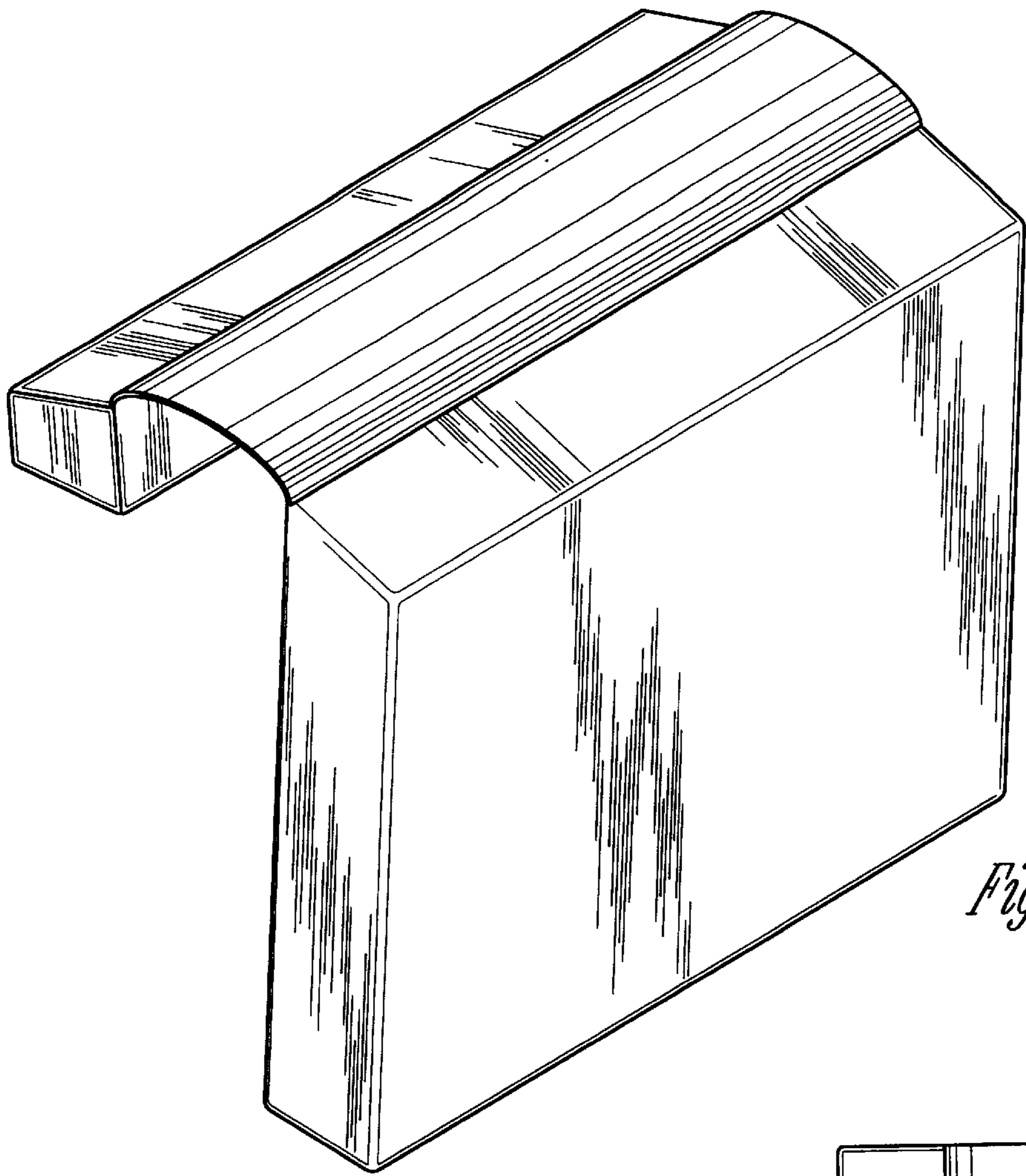


Fig. 1

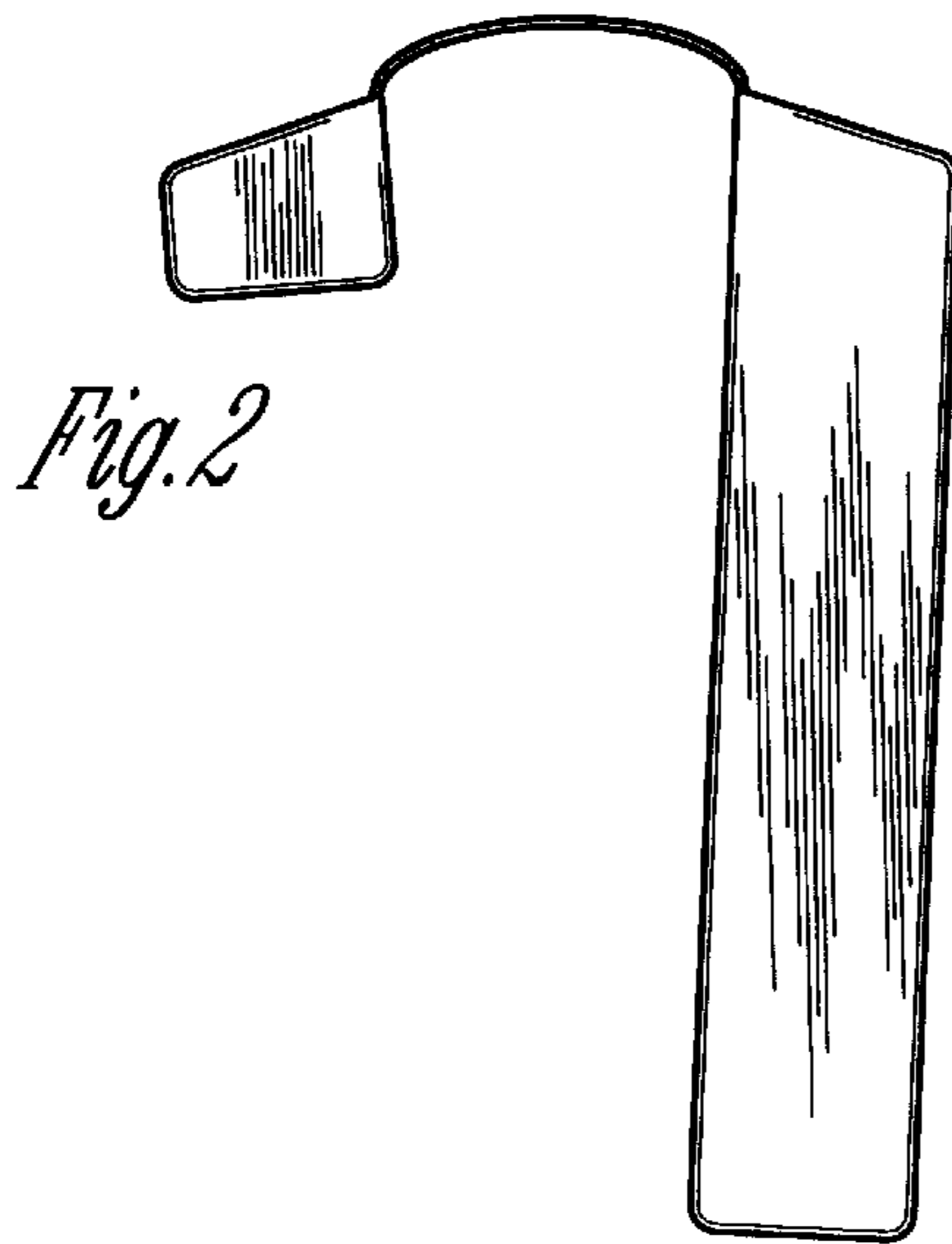


Fig. 2

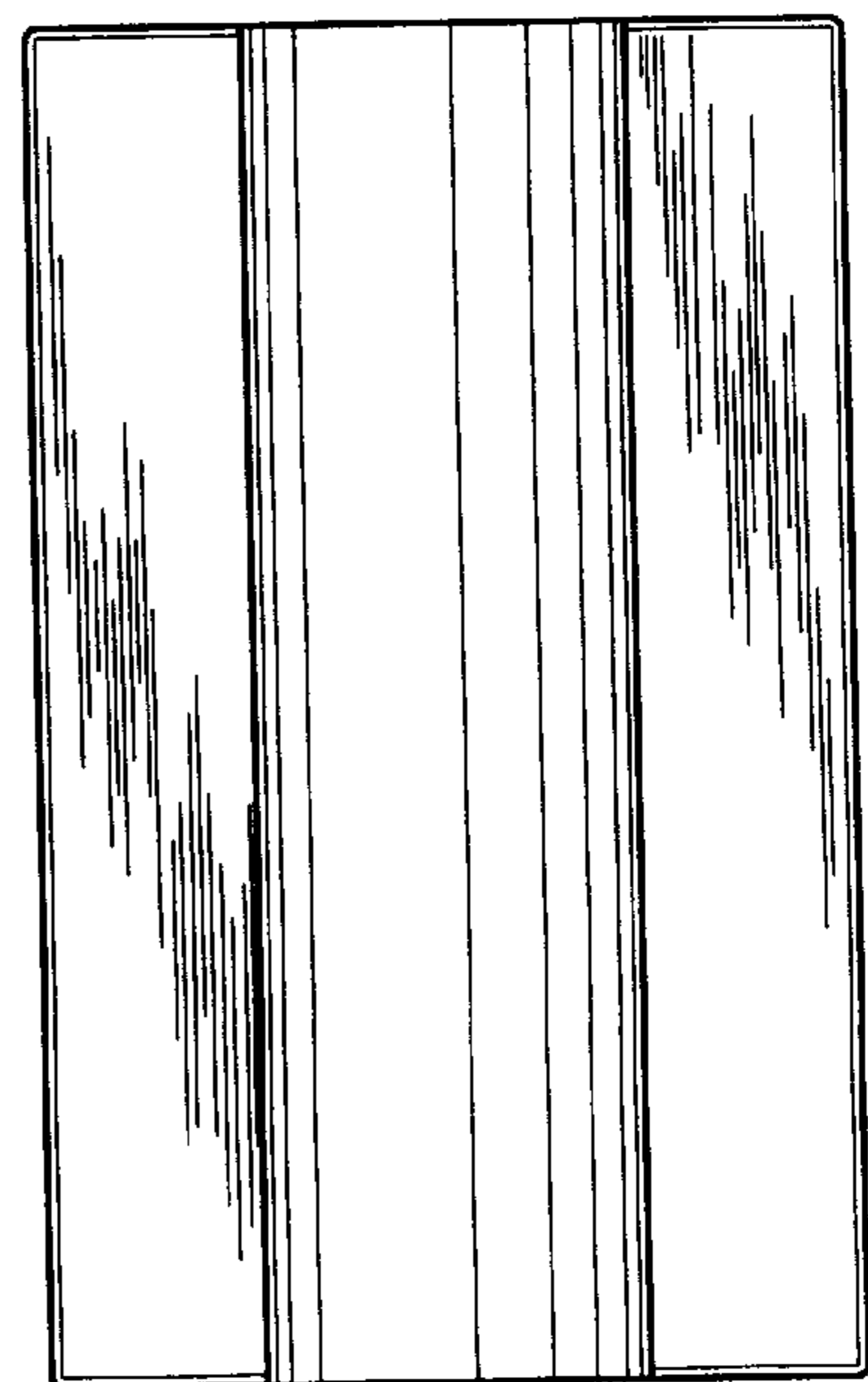


Fig. 3

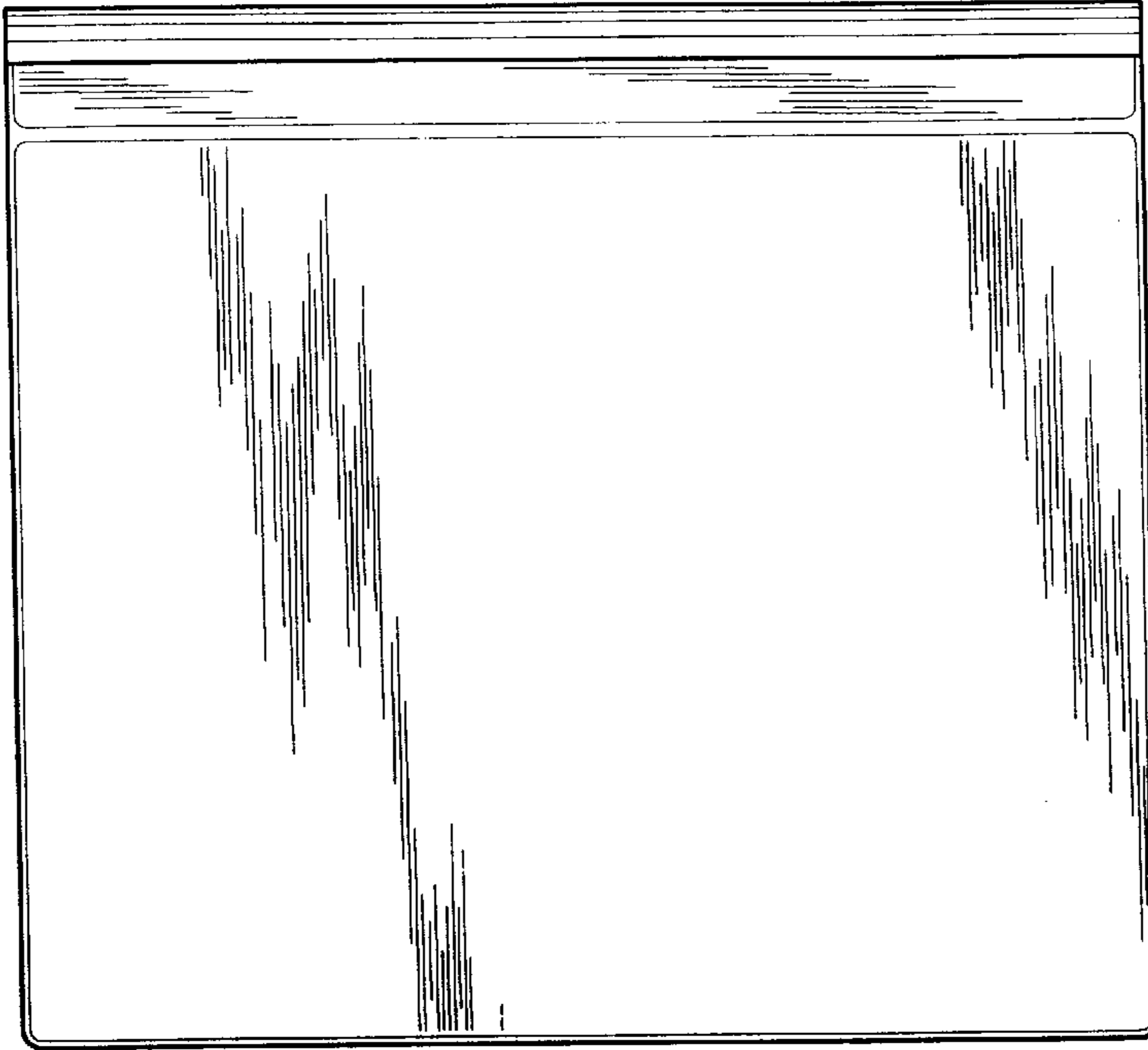


Fig. 4

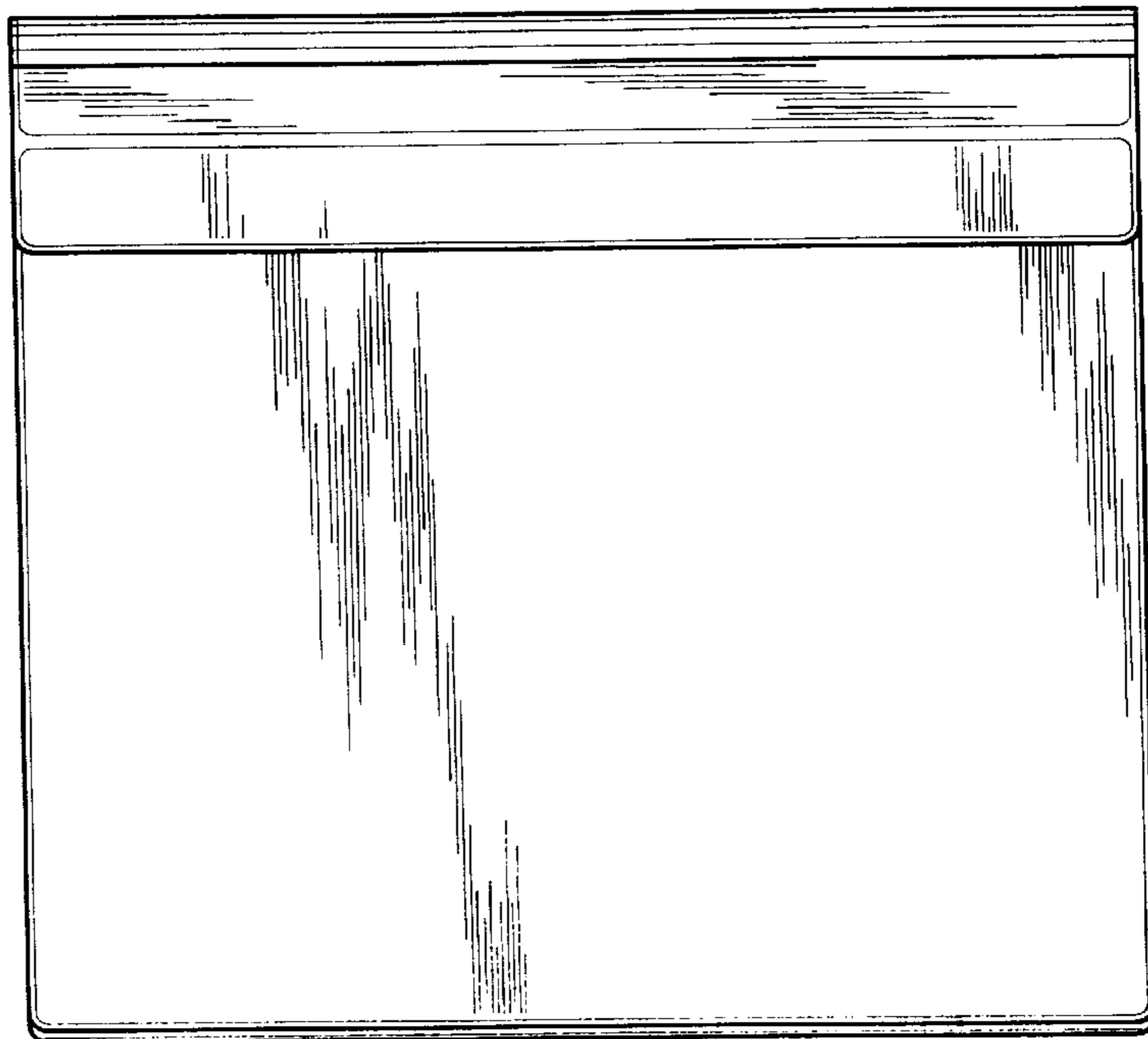


Fig. 5