



US00D426604S

United States Patent [19]

[11] **Patent Number: Des. 426,604**

Besnard et al.

[45] **Date of Patent: ** Jun. 13, 2000**

[54] **GOLF CLUB HEAD**

[75] Inventors: **Philippe Besnard**, Oceanside; **Michael R. Peters**, Vista; **Bret H. Wahl**; **Sandy Suchor**, both of Carlsbad, all of Calif.

[73] Assignee: **Taylor Made Golf Co., Inc.**, Carlsbad, Calif.

[**] Term: **14 Years**

[21] Appl. No.: **29/099,181**

[22] Filed: **Jan. 15, 1999**

[51] **LOC (7) Cl.** **21-02**

[52] **U.S. Cl.** **D21/752**

[58] **Field of Search** D21/733, 736-752;
473/324, 327-331, 340, 341, 345, 346,
350

[56] **References Cited**

U.S. PATENT DOCUMENTS

D. 83,077	1/1931	Sussams .	
D. 83,722	3/1931	Craig	D21/736
D. 192,515	4/1962	Henrich .	
D. 318,701	7/1991	Antonious	D21/214
D. 318,892	8/1991	Antonious	D21/214
D. 388,142	12/1997	Miller	D21/733
D. 404,098	1/1999	Ishikawa et al.	D21/733
D. 405,857	2/1999	Lovett	D21/747
3,068,011	12/1962	Sano	473/324
3,126,206	3/1964	Sabia	273/186
5,004,241	4/1991	Antonious	273/167 H

FOREIGN PATENT DOCUMENTS

10263122 10/1998 Japan .

OTHER PUBLICATIONS

Brochure: PRGR Zoom Golf Progressing. Power Long Gear, "Zoom." Jan., 1997.

U.S. application No. 09/184,573; Peters et al; pending.

Primary Examiner—Mitchell Siegel
Attorney, Agent, or Firm—John L. Rogitz

[57] **CLAIM**

The ornamental design for a golf club head, as shown and described.

DESCRIPTION

FIG. 1 is a perspective view of the present golf club head;

FIG. 2 is a front elevational view of the golf club head, looking at the face of the head;

FIG. 3 is a rear elevational view of the golf club head;

FIG. 4 is a view generally from the top of the golf club head looking parallel to the club face;

FIG. 5 is a bottom view of the golf club head;

FIG. 6 is a toe view of the golf club head;

FIG. 7 is a heel view of the golf club head, looking at the hosel of the head;

FIG. 8 is a perspective view of a second embodiment of the golf club head as disclosed in FIG. 1;

FIG. 9 is a front elevational view of the golf club head shown in FIG. 8, looking at the face of the head;

FIG. 10 is a rear elevational view of the golf club head shown in FIG. 8;

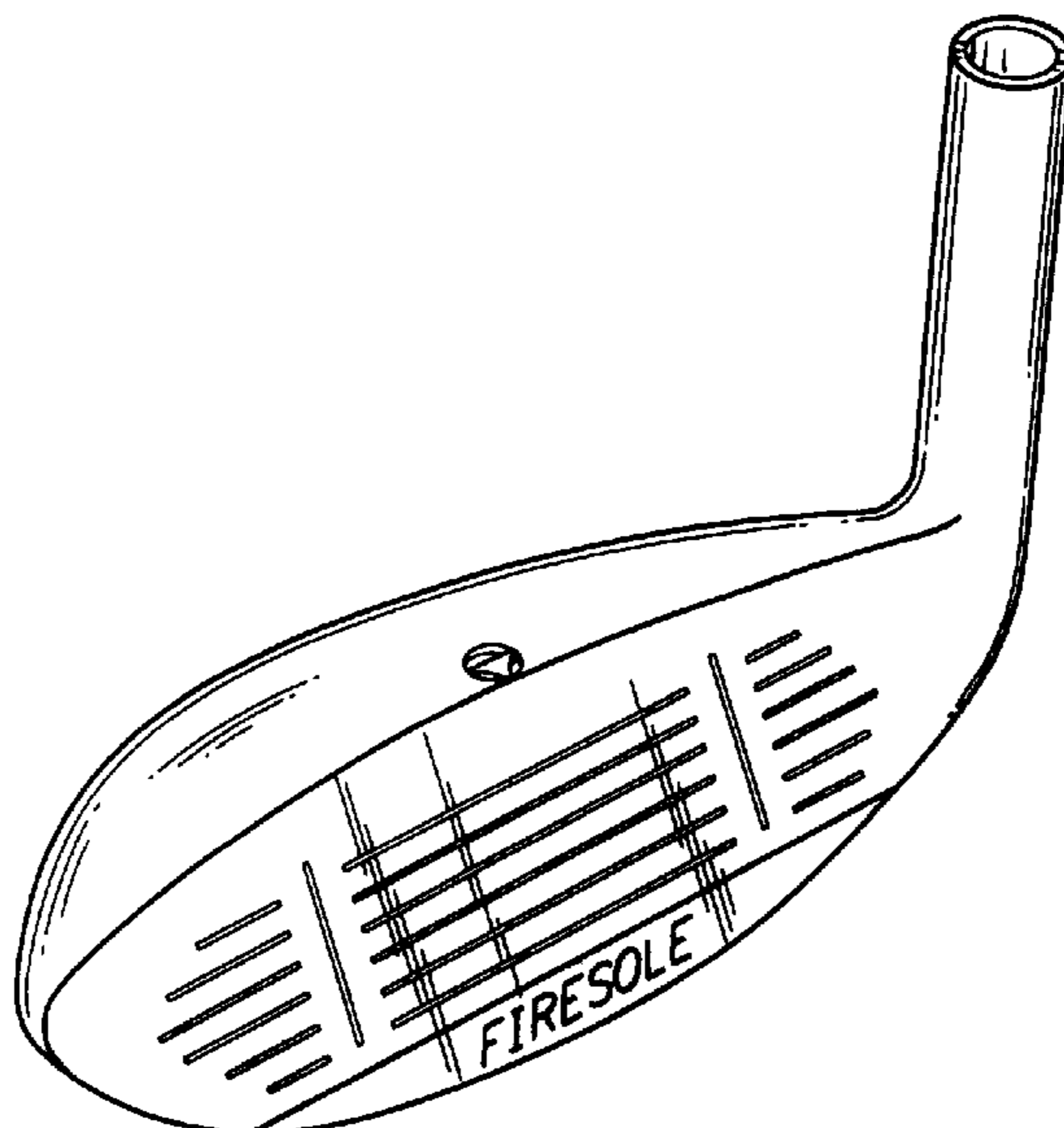
FIG. 11 is a view generally from the top of the golf club head shown in FIG. 8 looking parallel to the club face;

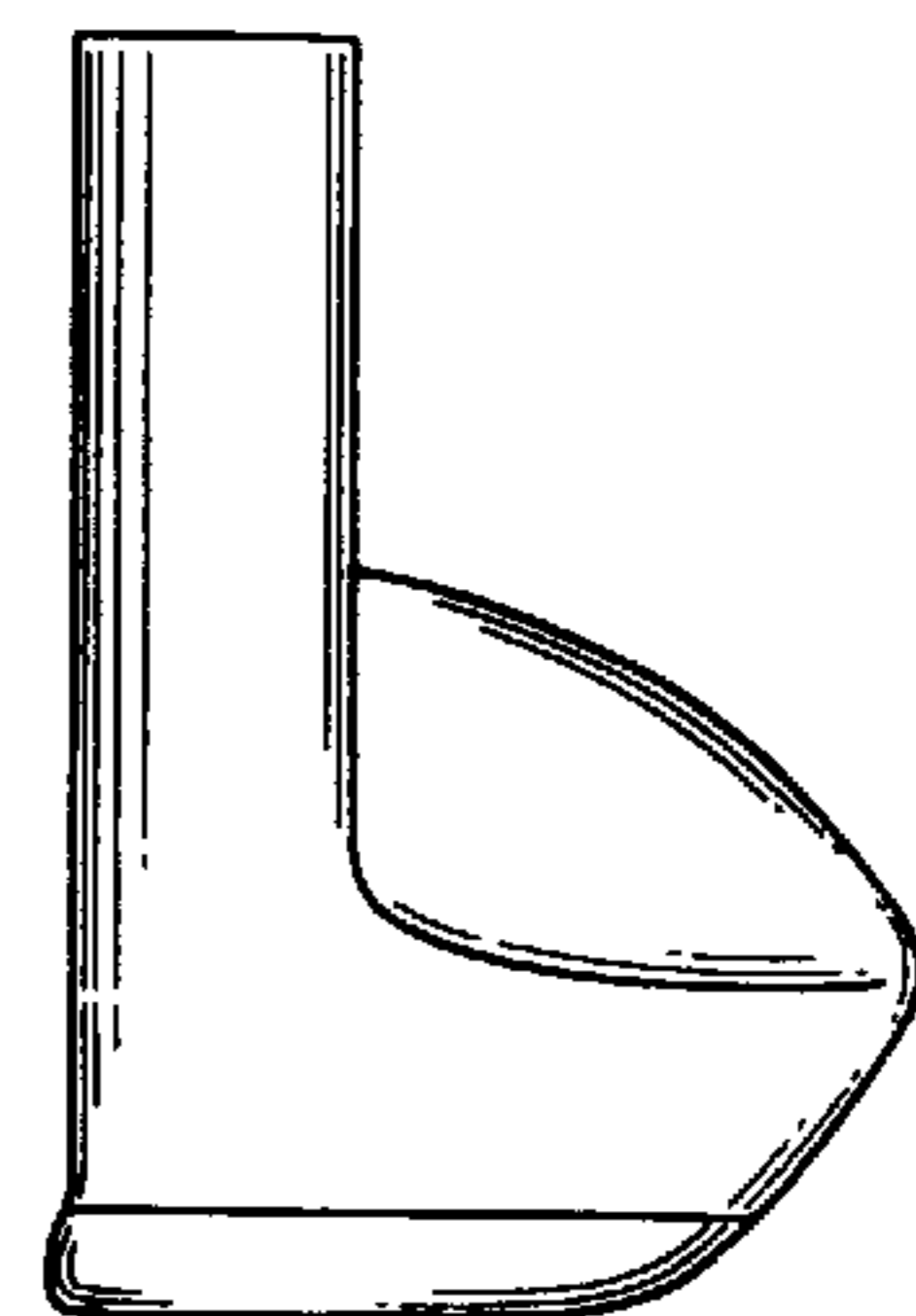
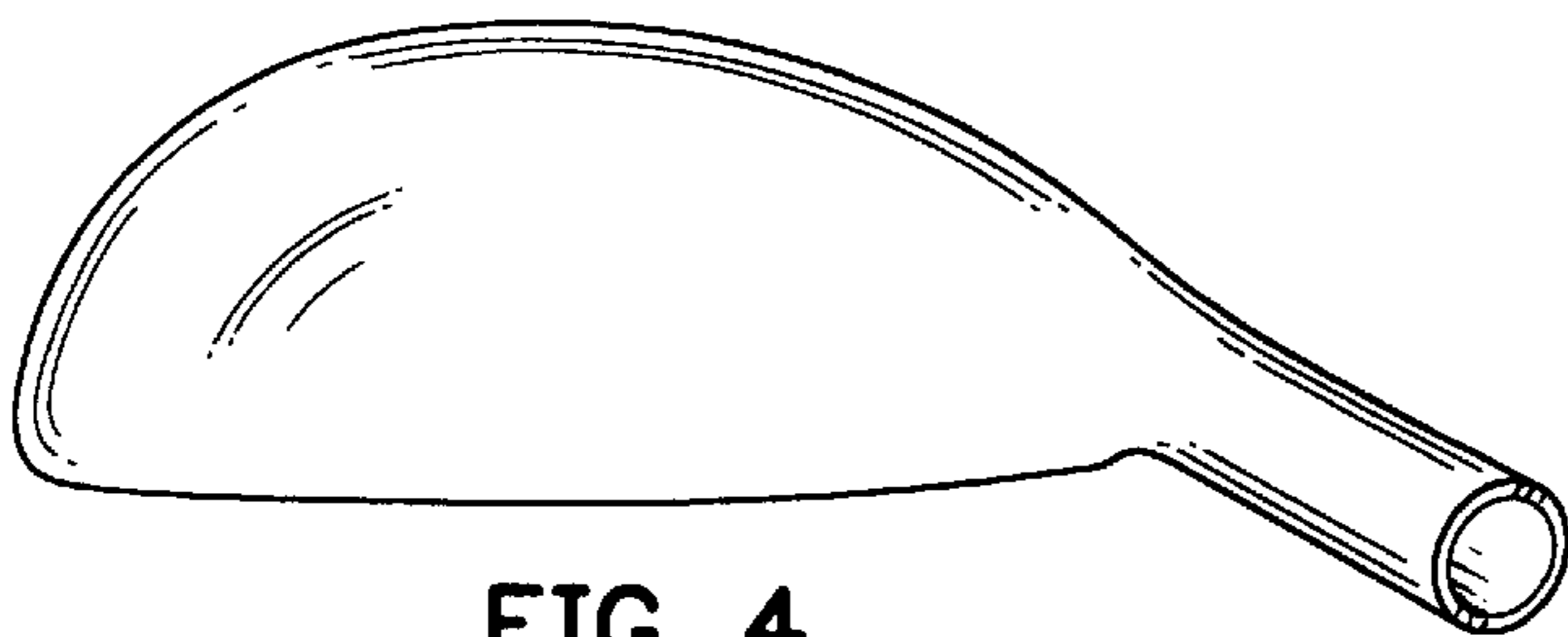
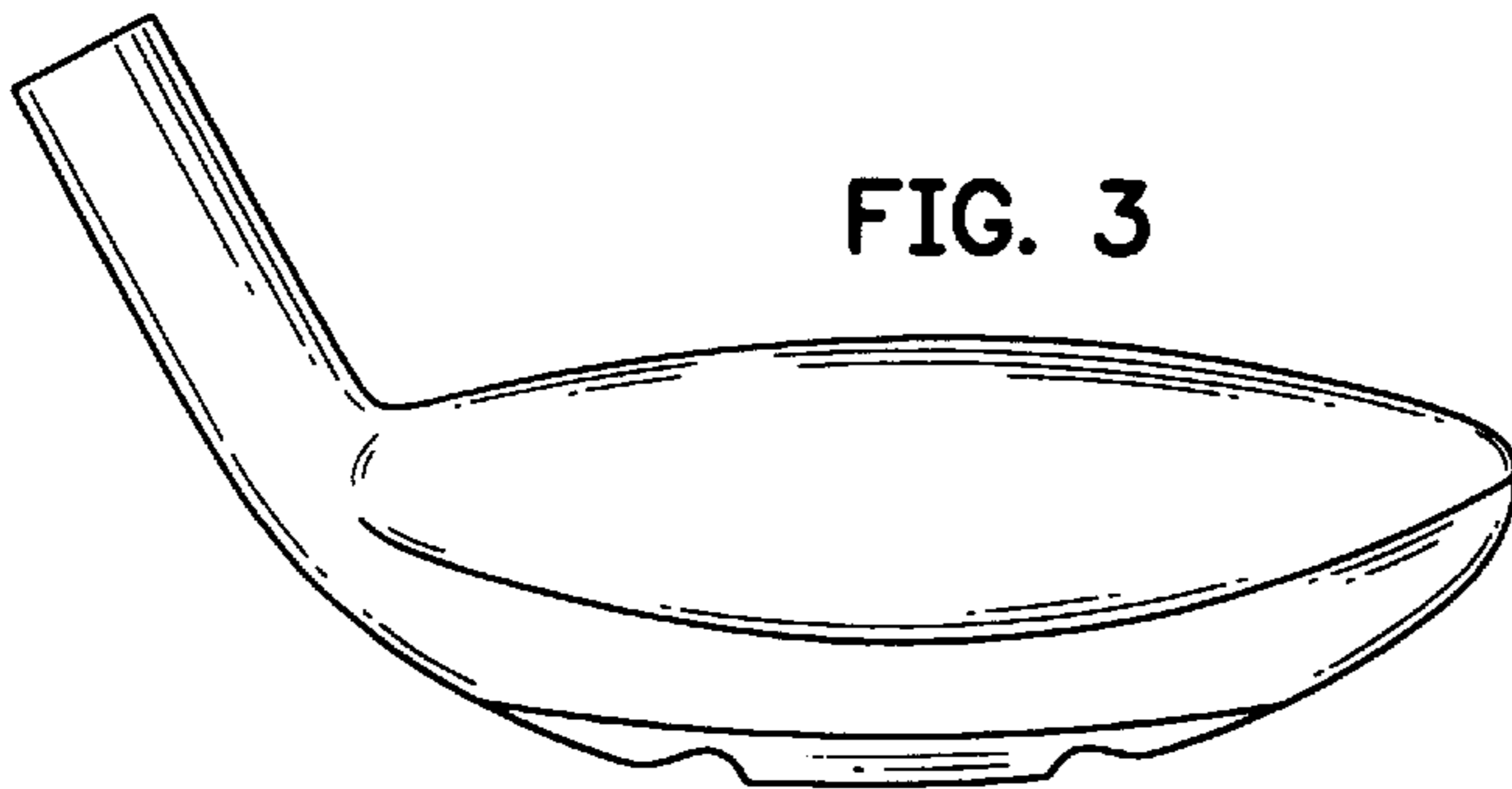
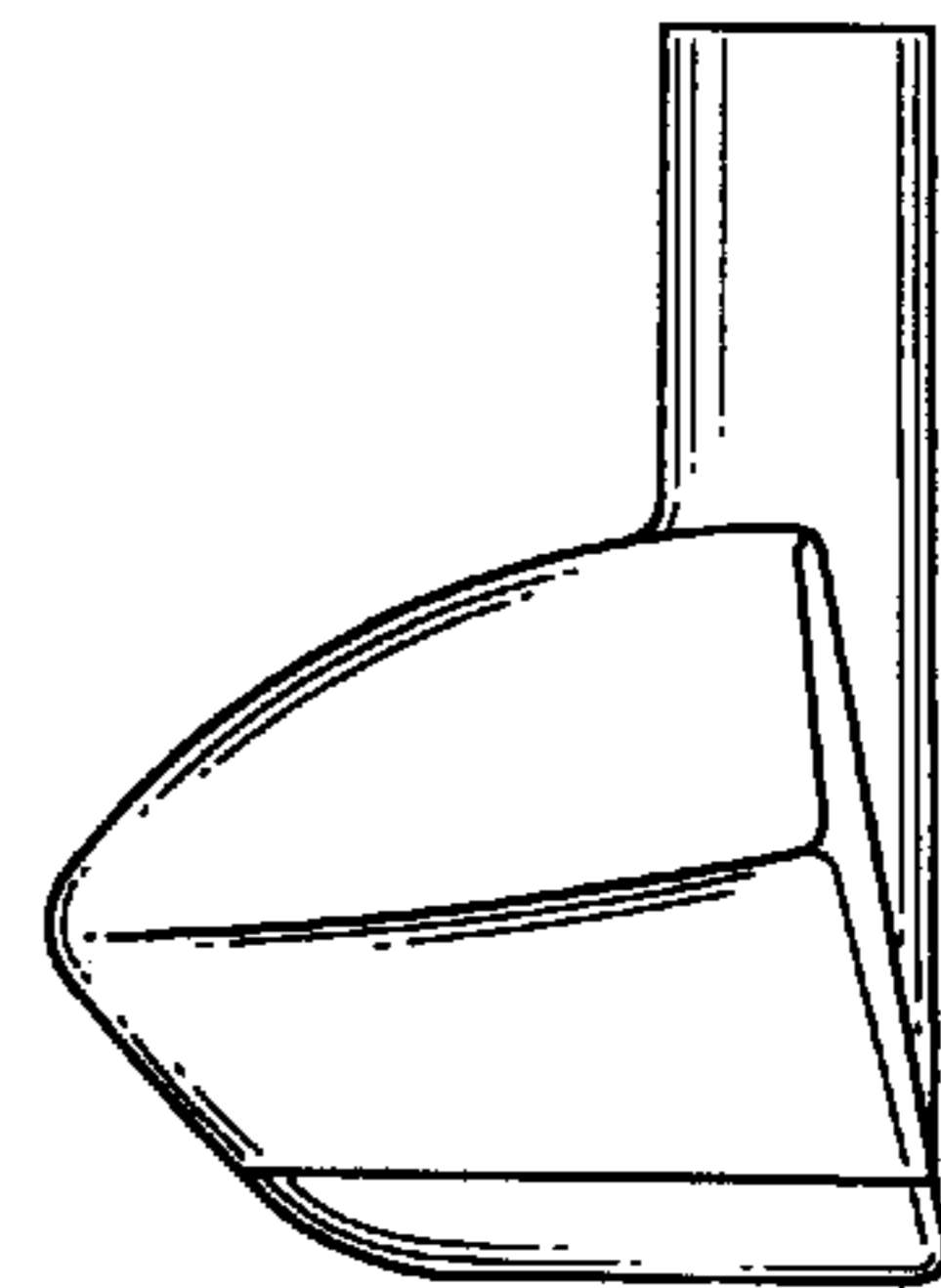
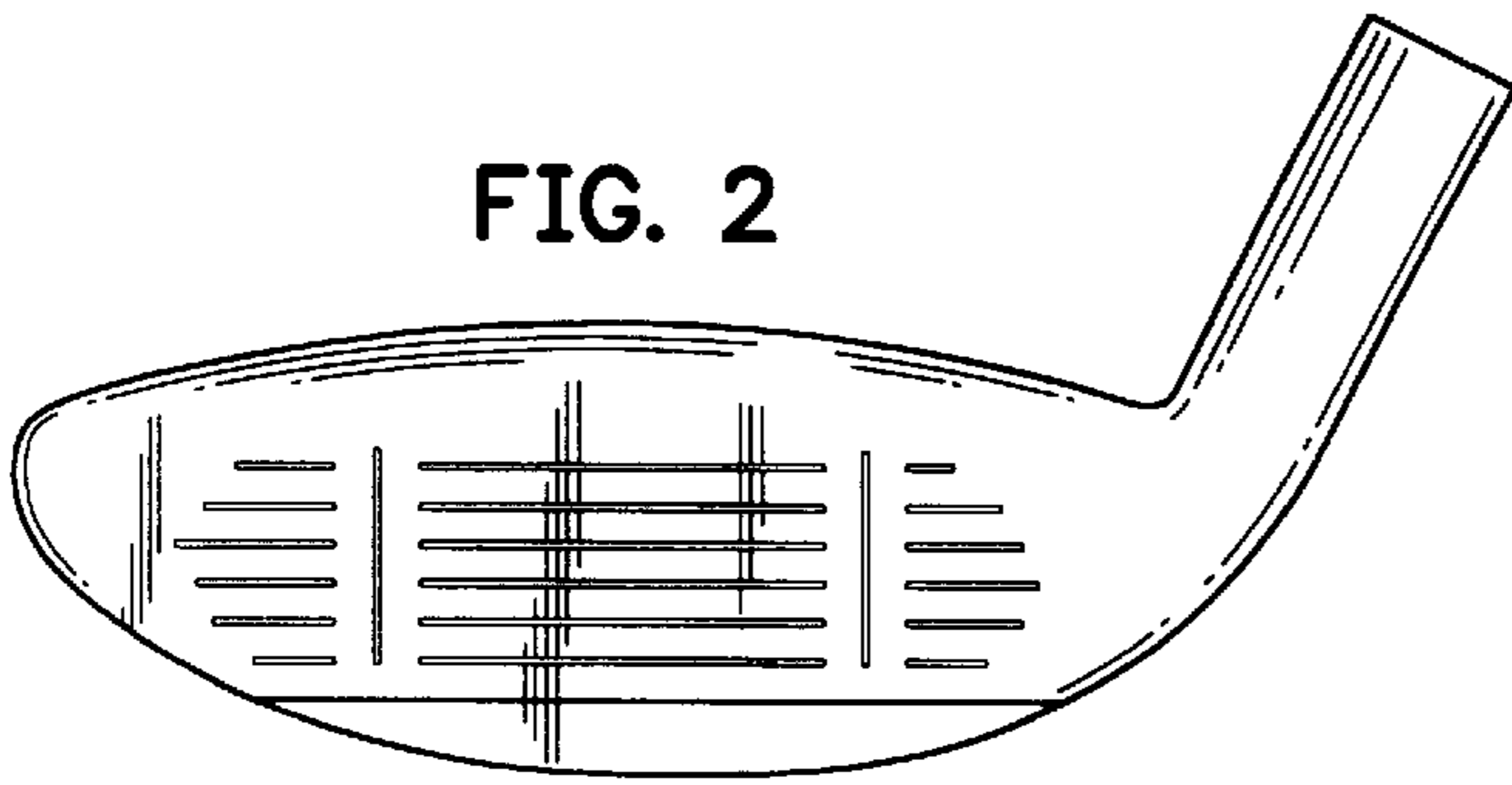
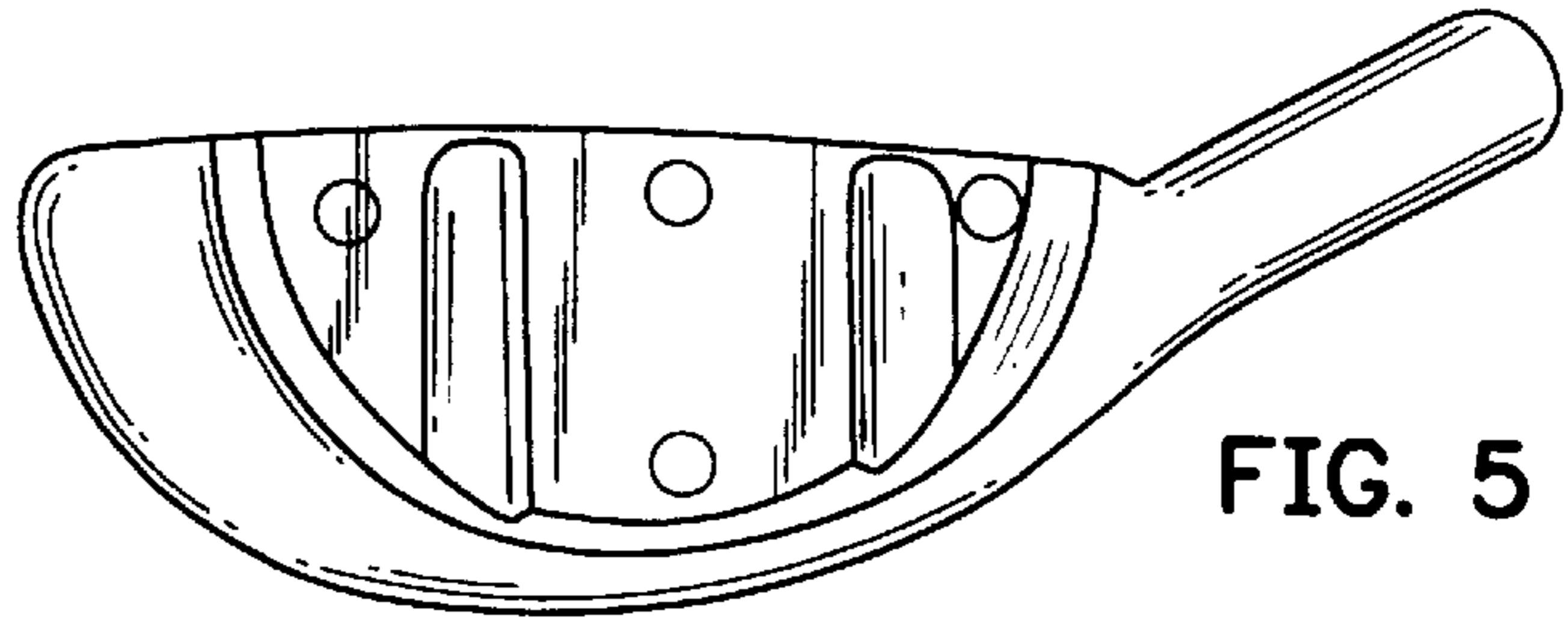
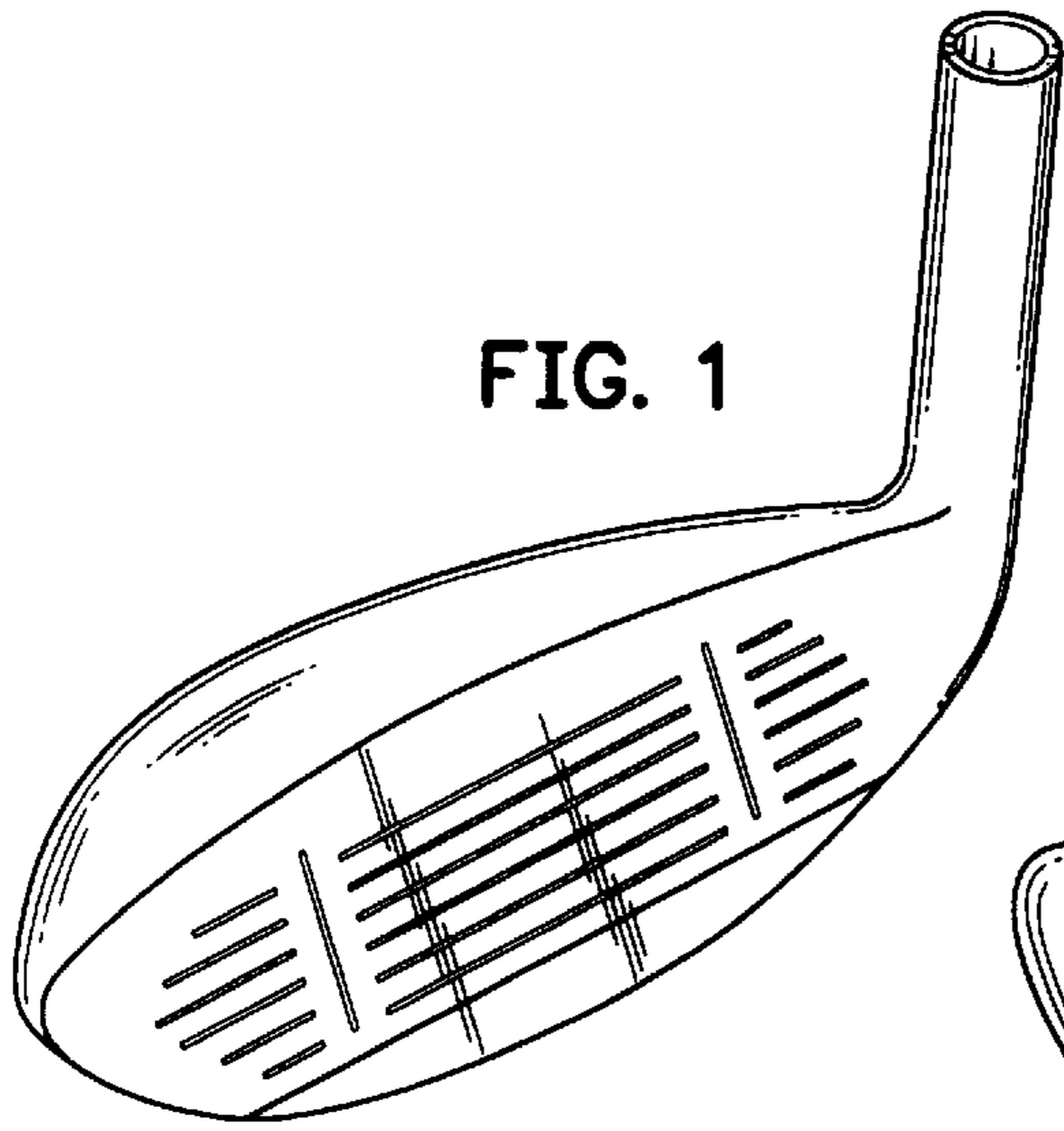
FIG. 12 is a bottom view of the golf club head shown in FIG. 8;

FIG. 13 is a toe view of the golf club head shown in FIG. 8; and,

FIG. 14 is a heel view of the golf club head shown in FIG. 8.

1 Claim, 2 Drawing Sheets





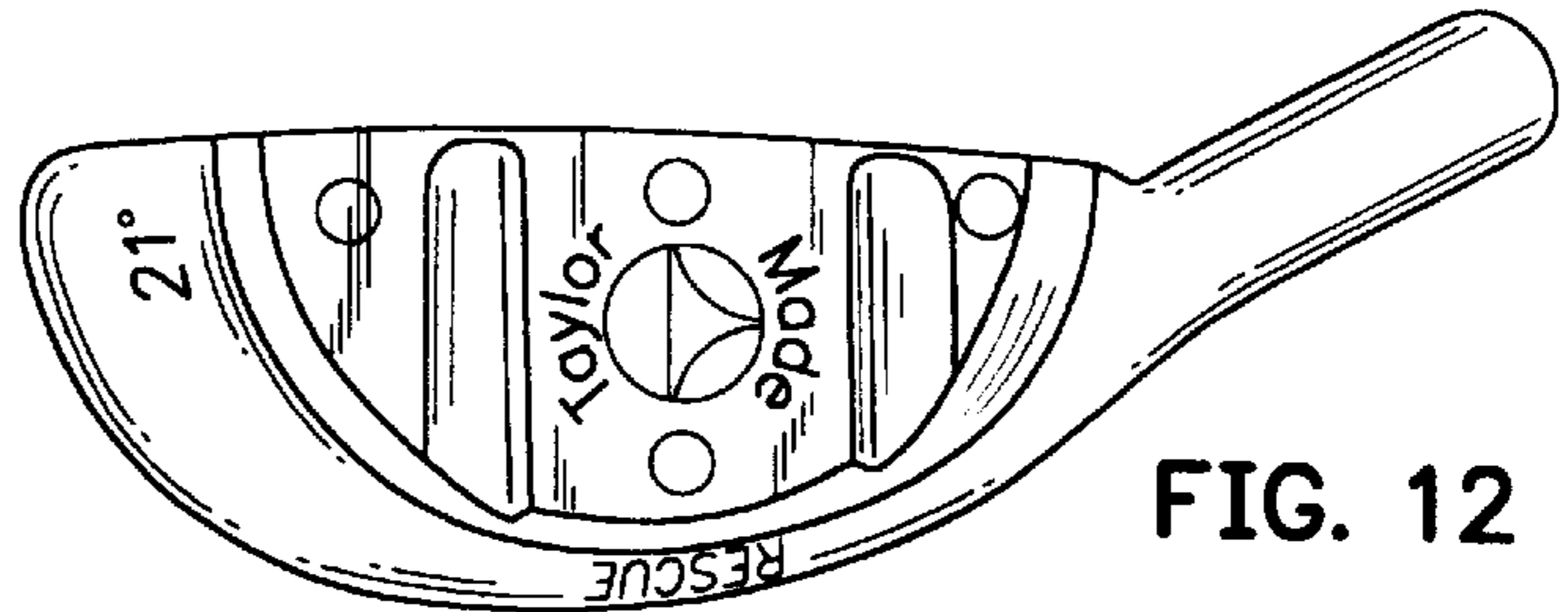
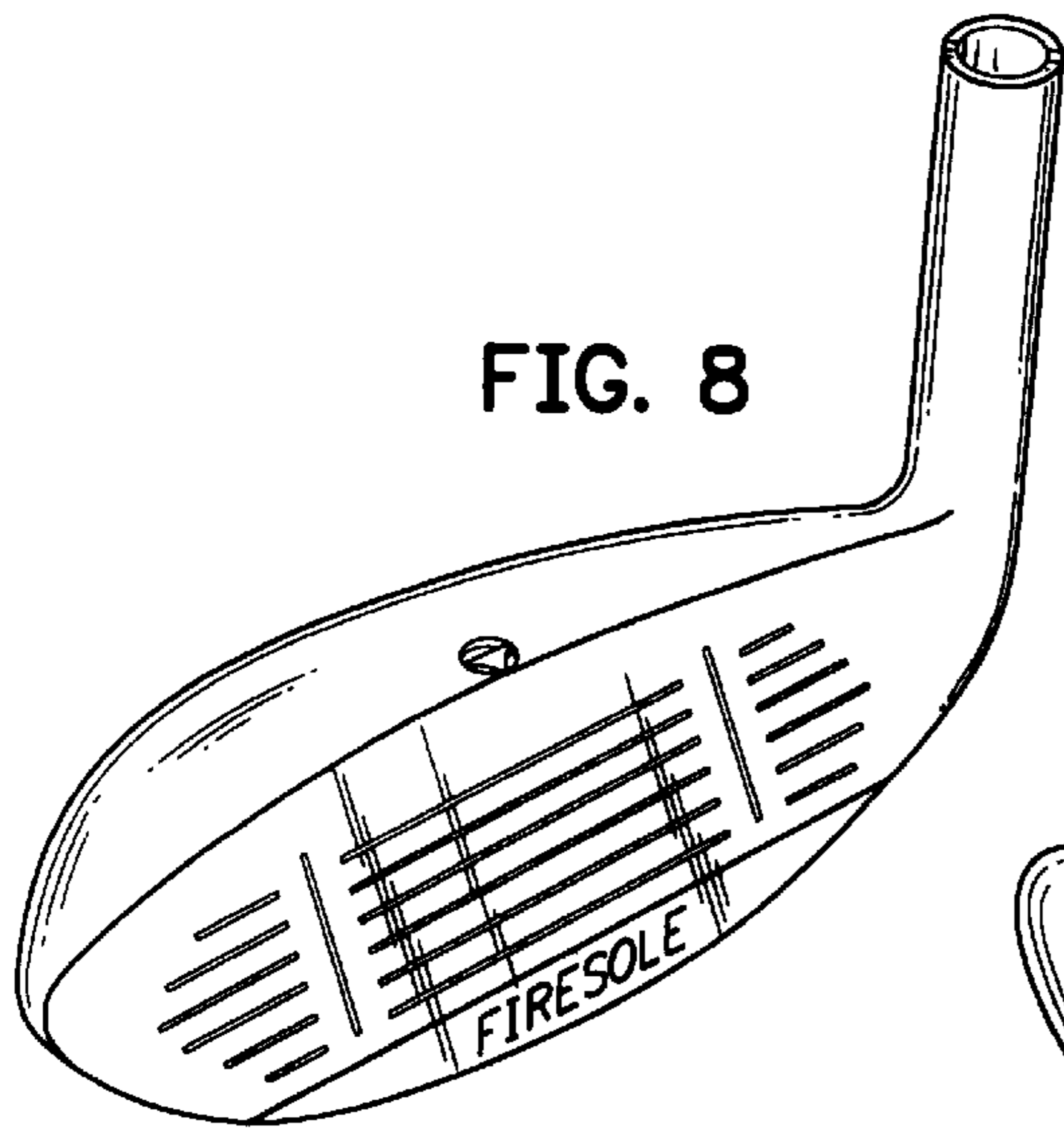


FIG. 12

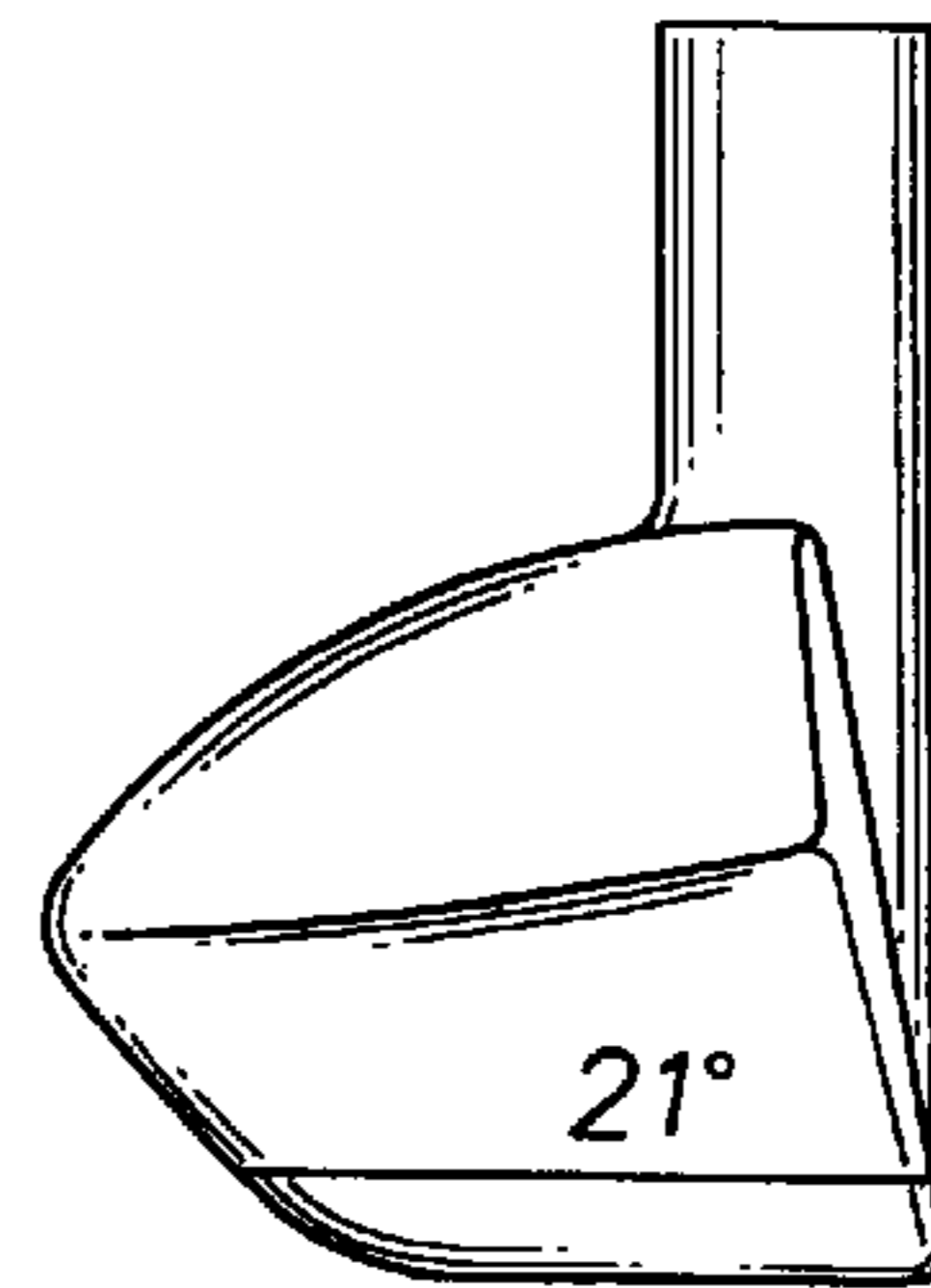
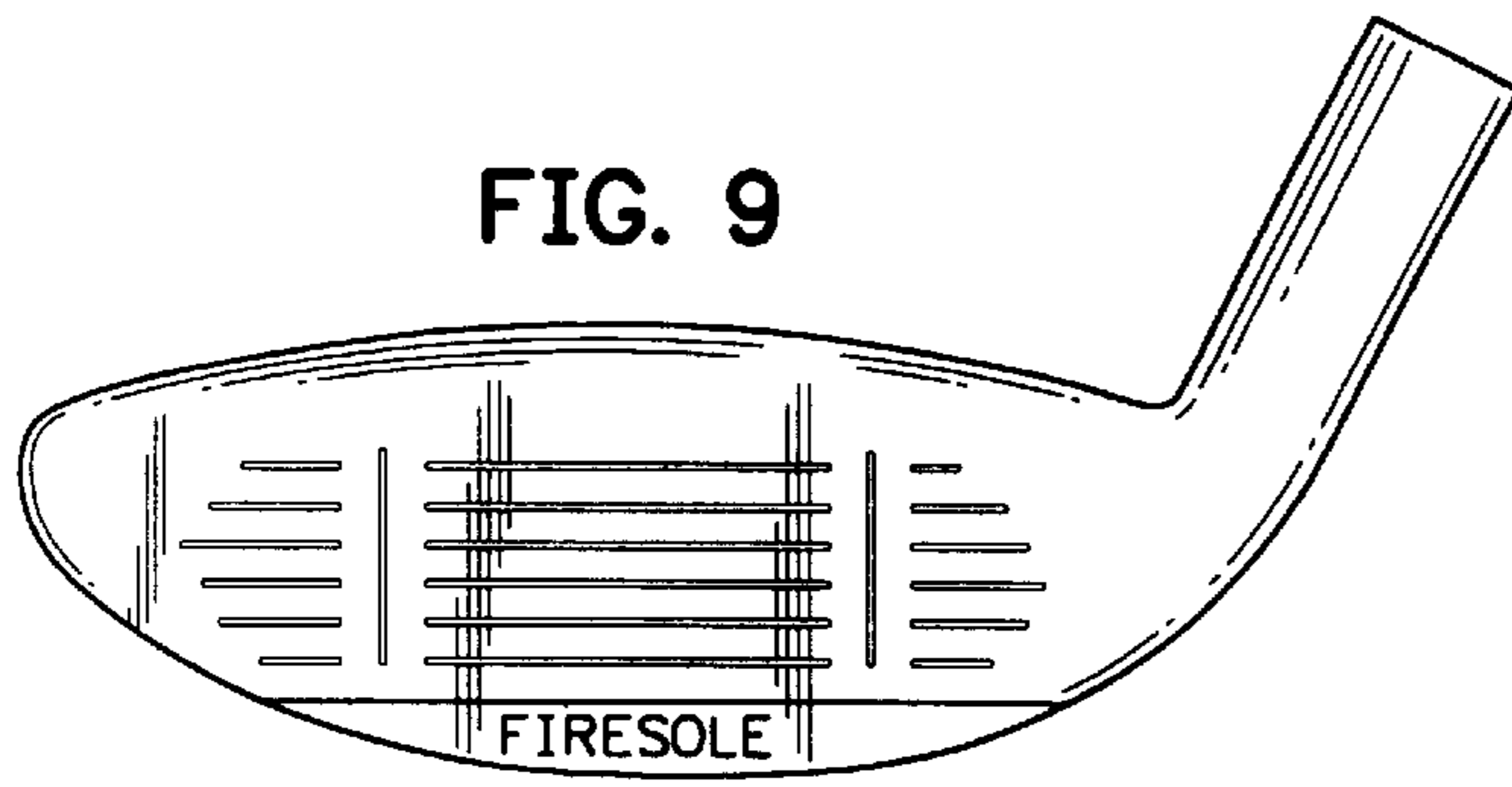


FIG. 13

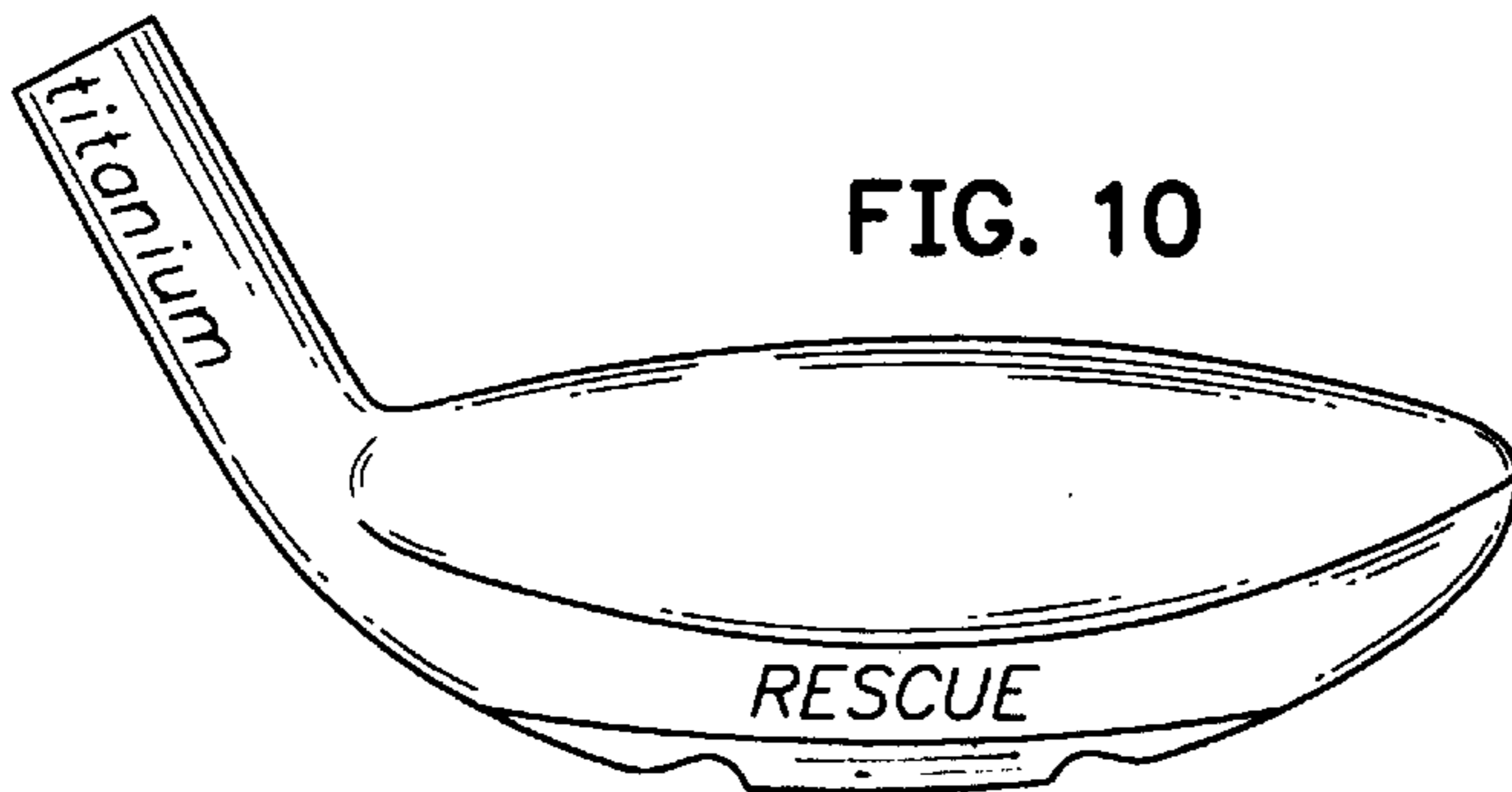


FIG. 10

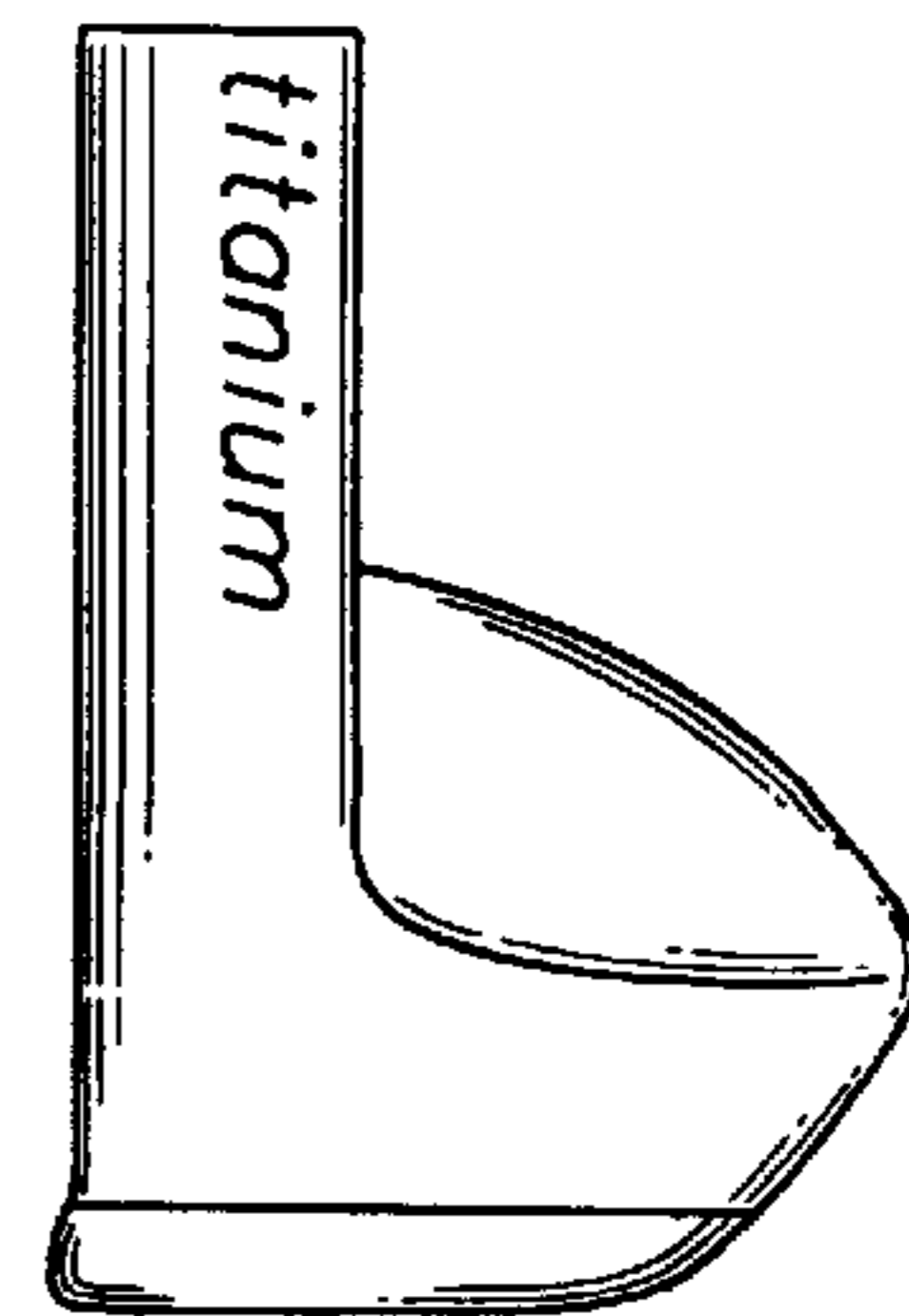


FIG. 14

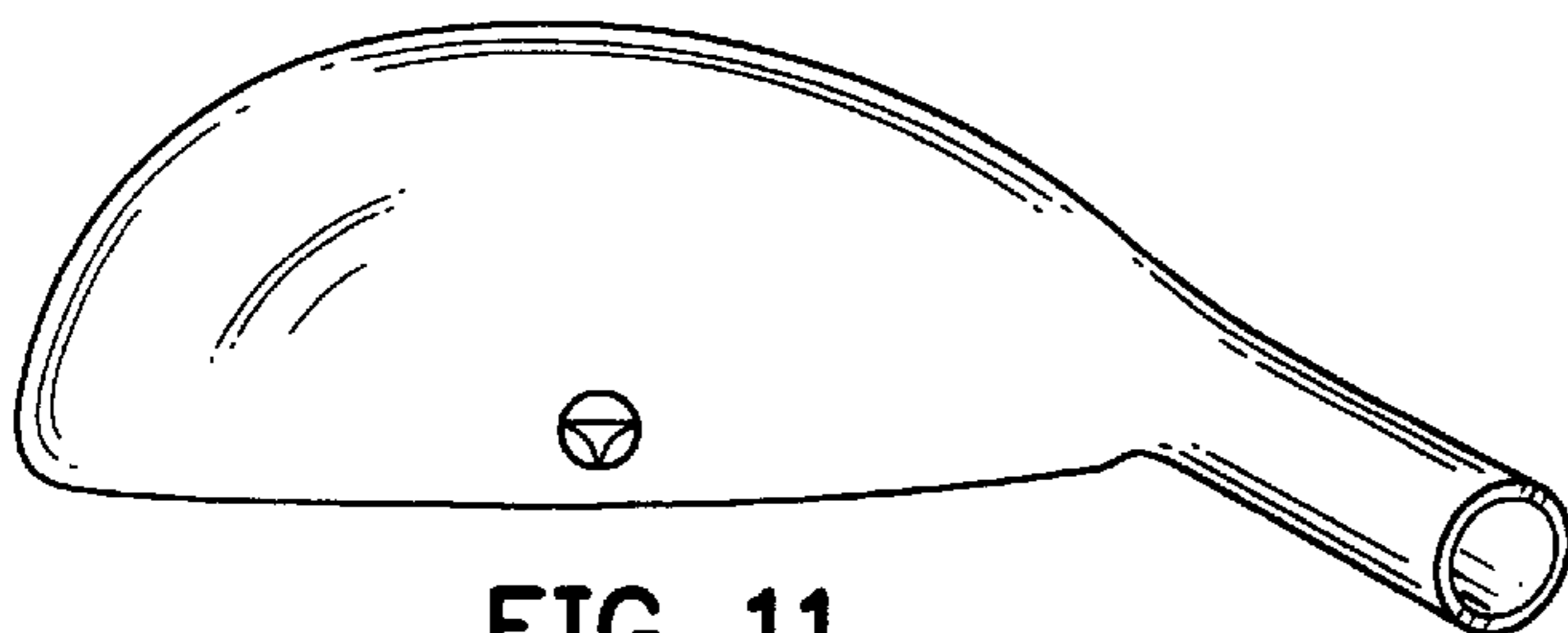


FIG. 11

UNITED STATES PATENT AND TRADEMARK OFFICE
CERTIFICATE OF CORRECTION

PATENT NO. : Des. 426,604
DATED : June 13, 2000
INVENTOR(S) : Philippe Besnard et al.

Page 1 of 3

It is certified that error appears in the above-identified patent and that said Letters Patent is hereby corrected as shown below:

Title page,

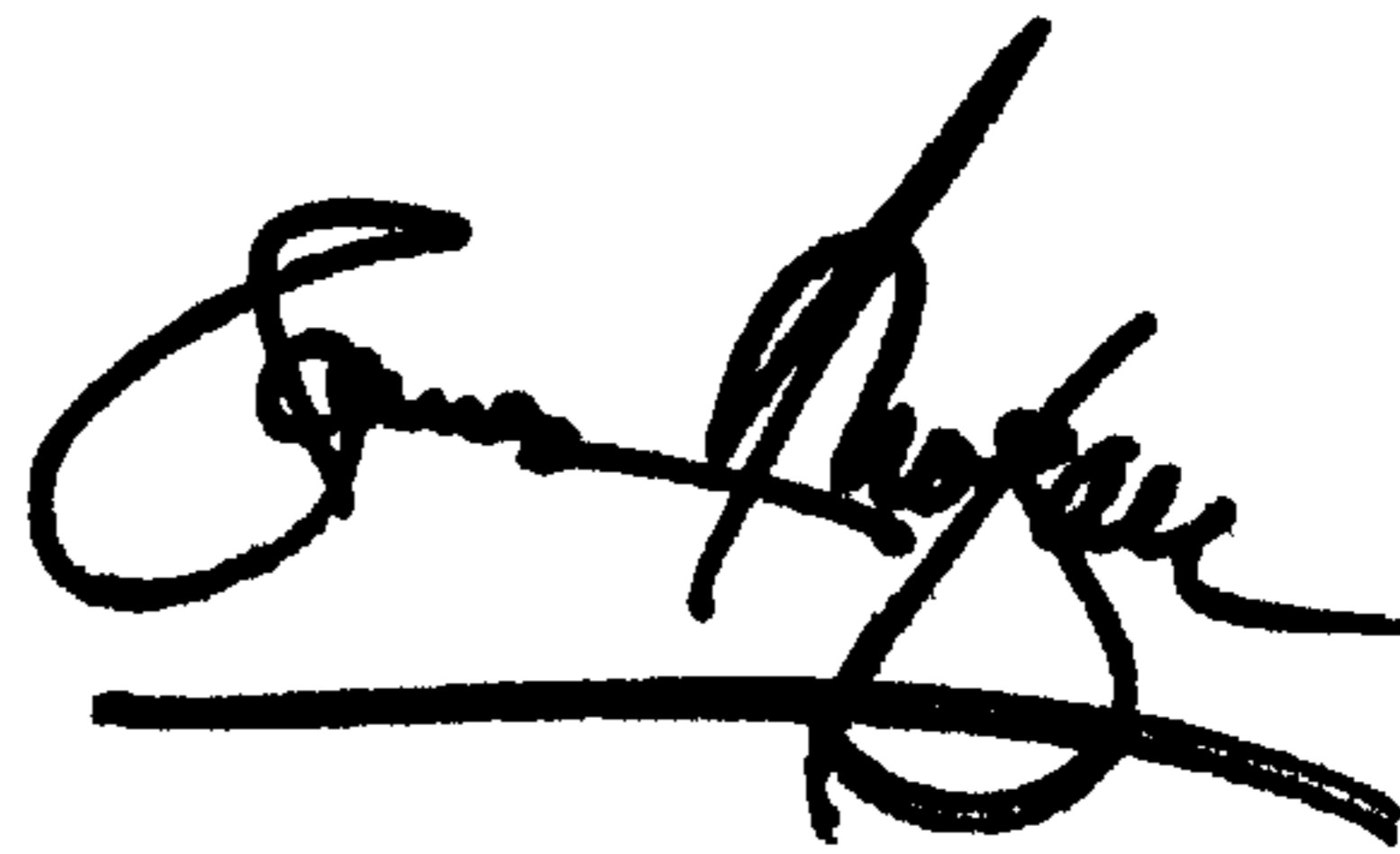
The title page, showing the illustrative figure, should be deleted and substitute therefor the attached title page.

Drawings,

The drawing sheet consisting of Fig.8, should be deleted to be replaced with the drawing sheet consisting of Fig. 8, as shown on the attached page.

Signed and Sealed this

Seventeenth Day of December, 2002

A handwritten signature in black ink, appearing to read "James E. Rogan", written over a horizontal line.

JAMES E. ROGAN
Director of the United States Patent and Trademark Office

United States Patent [19]

Besnard et al.

[11] **Patent Number: Des. 426,604**

[45] **Date of Patent: ** Jun. 13, 2000**

[54] **GOLF CLUB HEAD**

[75] Inventors: **Philippe Besnard**, Oceanside; **Michael R. Peters**, Vista; **Bret H. Wahl**; **Sandy Suchor**, both of Carlsbad, all of Calif.

[73] Assignee: **Taylor Made Golf Co., Inc.**, Carlsbad, Calif.

[**] Term: **14 Years**

[21] Appl. No.: **29/099,181**

[22] Filed: **Jan. 15, 1999**

[51] **LOC (7) Cl.** **21-02**

[52] **U.S. Cl.** **D21/752**

[58] **Field of Search** D21/733, 736-752;
473/324, 327-331, 340, 341, 345, 346,
350

[56] **References Cited**

U.S. PATENT DOCUMENTS

D. 83,077	1/1931	Sussams .	
D. 83,722	3/1931	Craig	D21/736
D. 192,515	4/1962	Henrich .	
D. 318,701	7/1991	Antonious	D21/214
D. 318,892	8/1991	Antonious	D21/214
D. 388,142	12/1997	Miller	D21/733
D. 404,098	1/1999	Ishikawa et al.	D21/733
D. 405,857	2/1999	Lovett	D21/747
3,068,011	12/1962	Sano	473/324
3,126,206	3/1964	Sabia	273/186
5,004,241	4/1991	Antonious	273/167 H

FOREIGN PATENT DOCUMENTS

10263122 10/1998 Japan .

OTHER PUBLICATIONS

Brochure: PRGR Zoom Golf Progressing. Power Long Gear, "Zoom." Jan., 1997.
U.S. application No. 09/184,573; Peters et al; pending.

Primary Examiner—Mitchell Siegel
Attorney, Agent, or Firm—John L. Rogitz

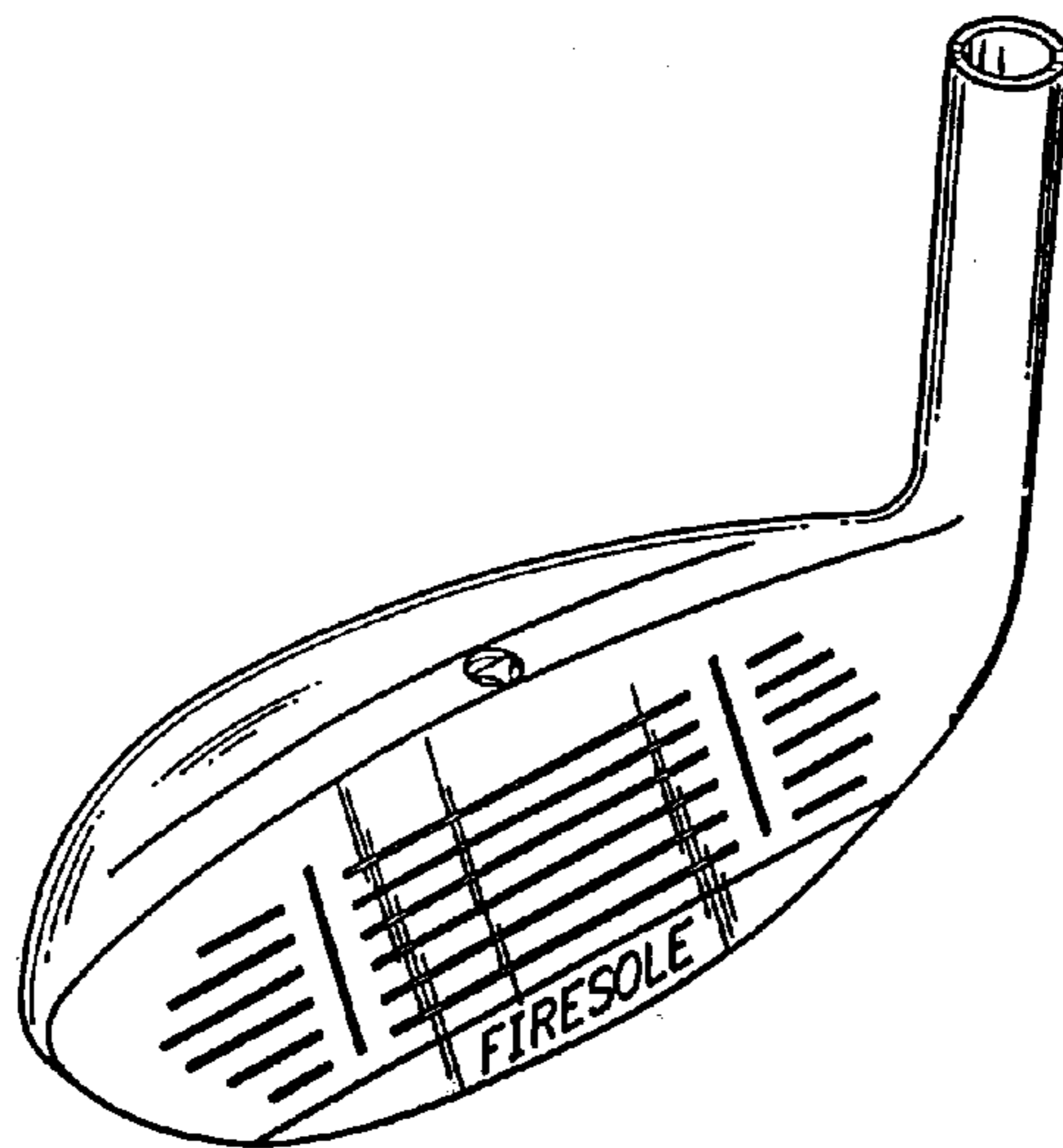
[57] **CLAIM**

The ornamental design for a golf club head, as shown and described.

DESCRIPTION

FIG. 1 is a perspective view of the present golf club head; FIG. 2 is a front elevational view of the golf club head, looking at the face of the head; FIG. 3 is a rear elevational view of the golf club head; FIG. 4 is a view generally from the top of the golf club head looking parallel to the club face; FIG. 5 is a bottom view of the golf club head; FIG. 6 is a toe view of the golf club head; FIG. 7 is a heel view of the golf club head, looking at the hosel of the head; FIG. 8 is a perspective view of a second embodiment of the golf club head as disclosed in FIG. 1; FIG. 9 is a front elevational view of the golf club head shown in FIG. 8, looking at the face of the head; FIG. 10 is a rear elevational view of the golf club head shown in FIG. 8; FIG. 11 is a view generally from the top of the golf club head shown in FIG. 8 looking parallel to the club face; FIG. 12 is a bottom view of the golf club head shown in FIG. 8; FIG. 13 is a toe view of the golf club head shown in FIG. 8; and, FIG. 14 is a heel view of the golf club head shown in FIG. 8.

1 Claim, 2 Drawing Sheets



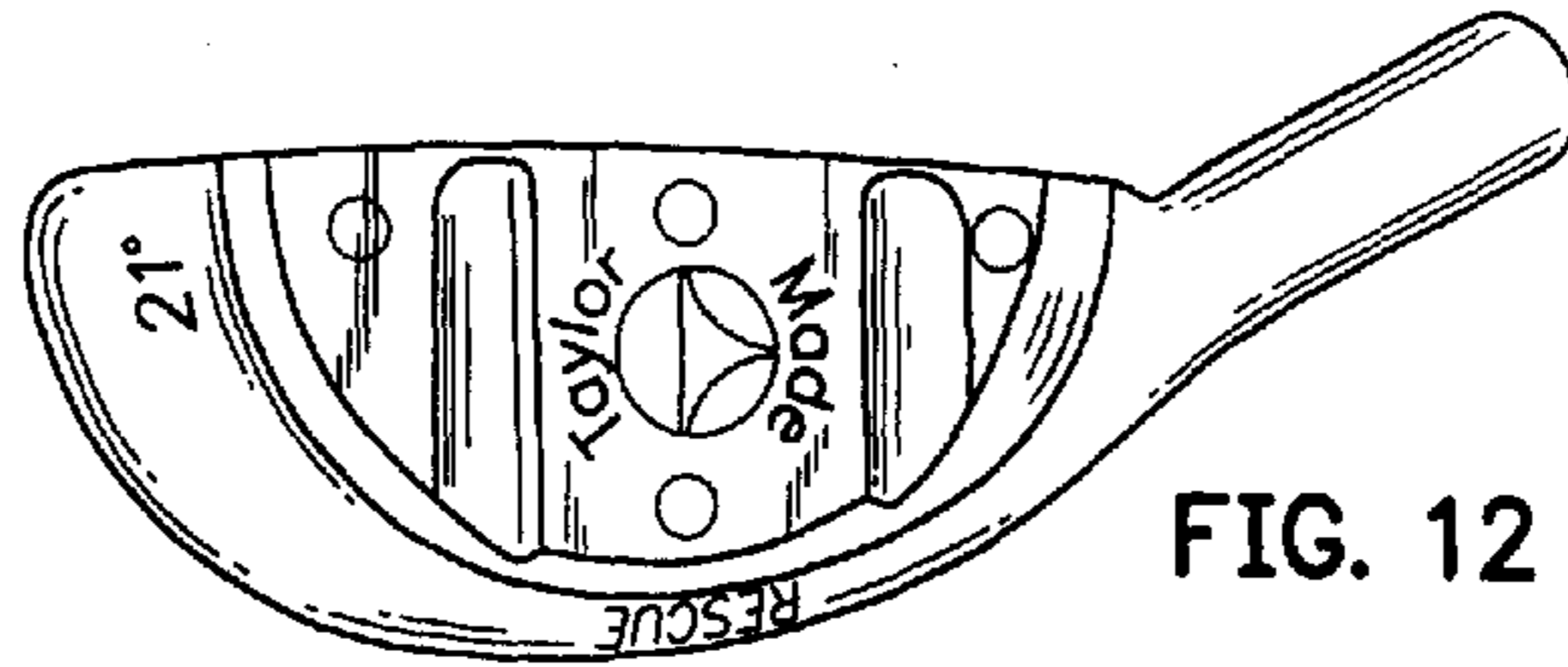
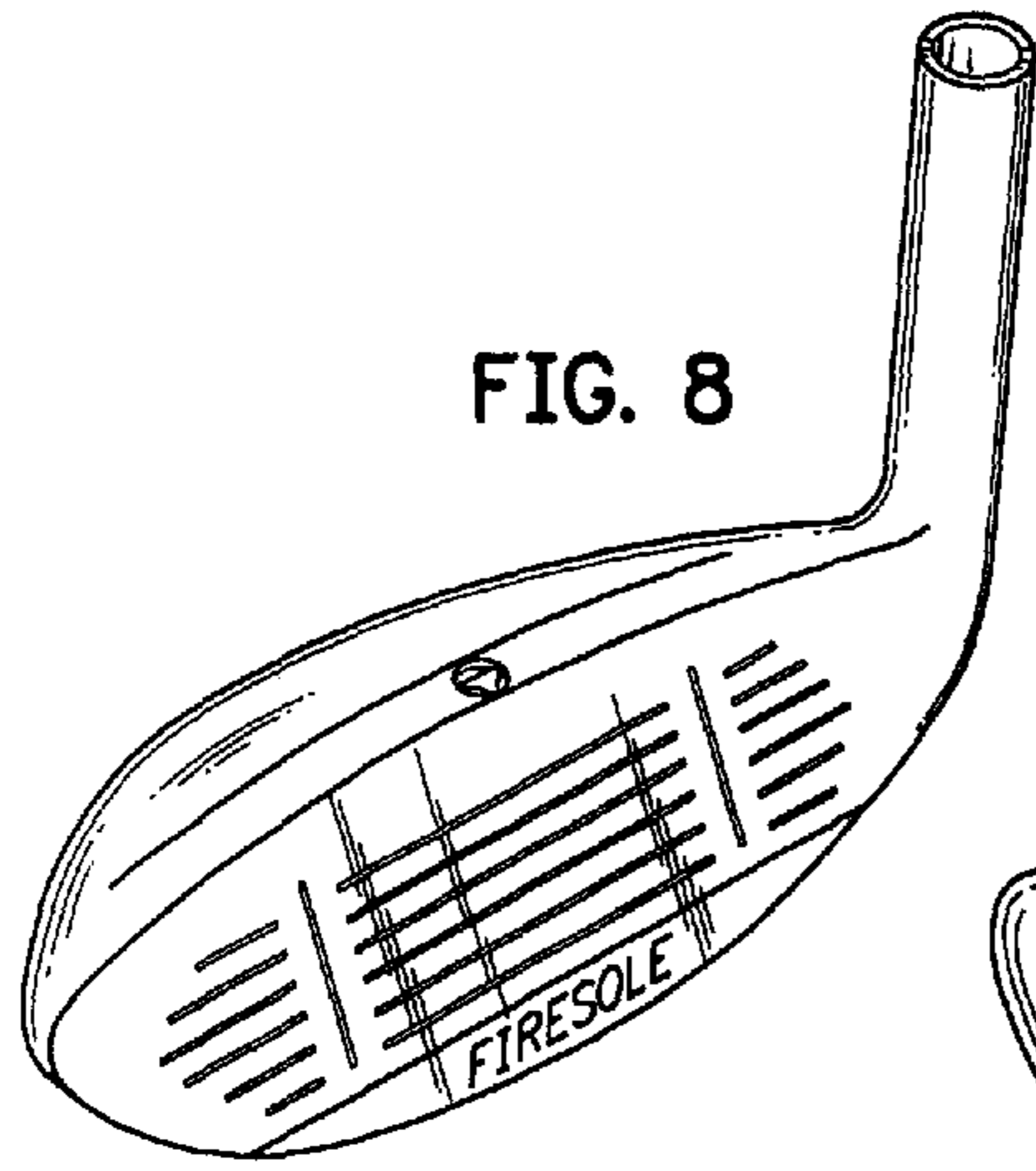


FIG. 12

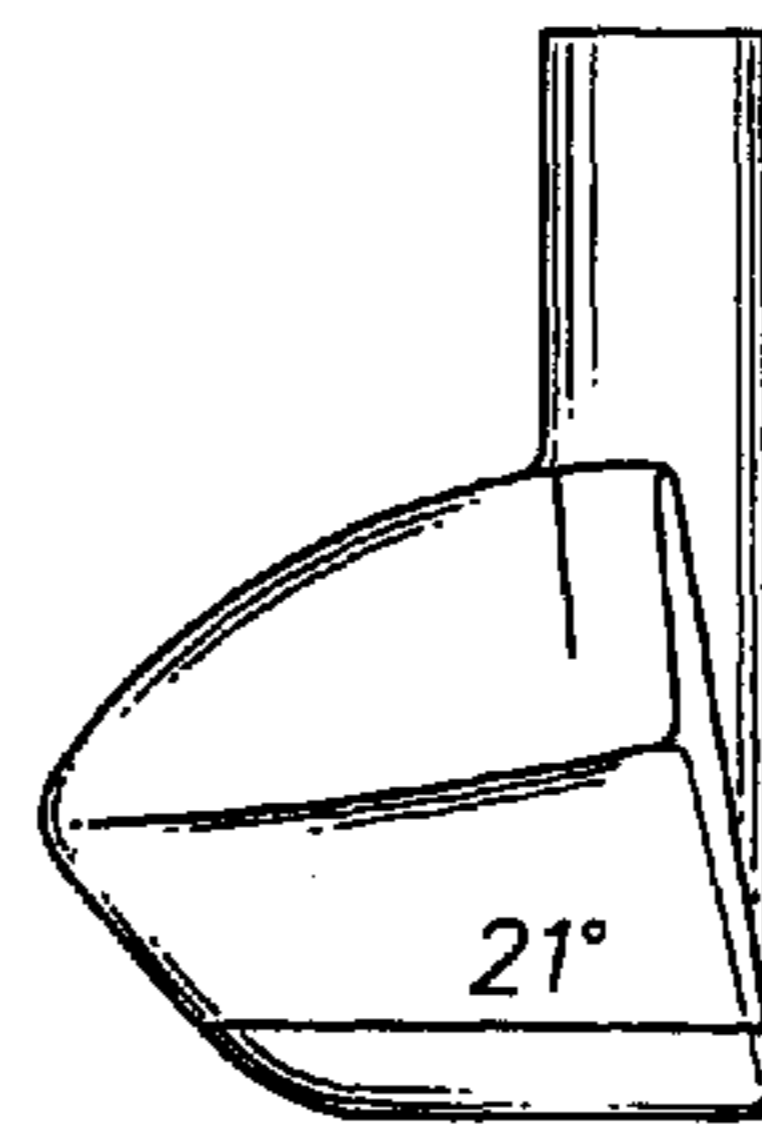
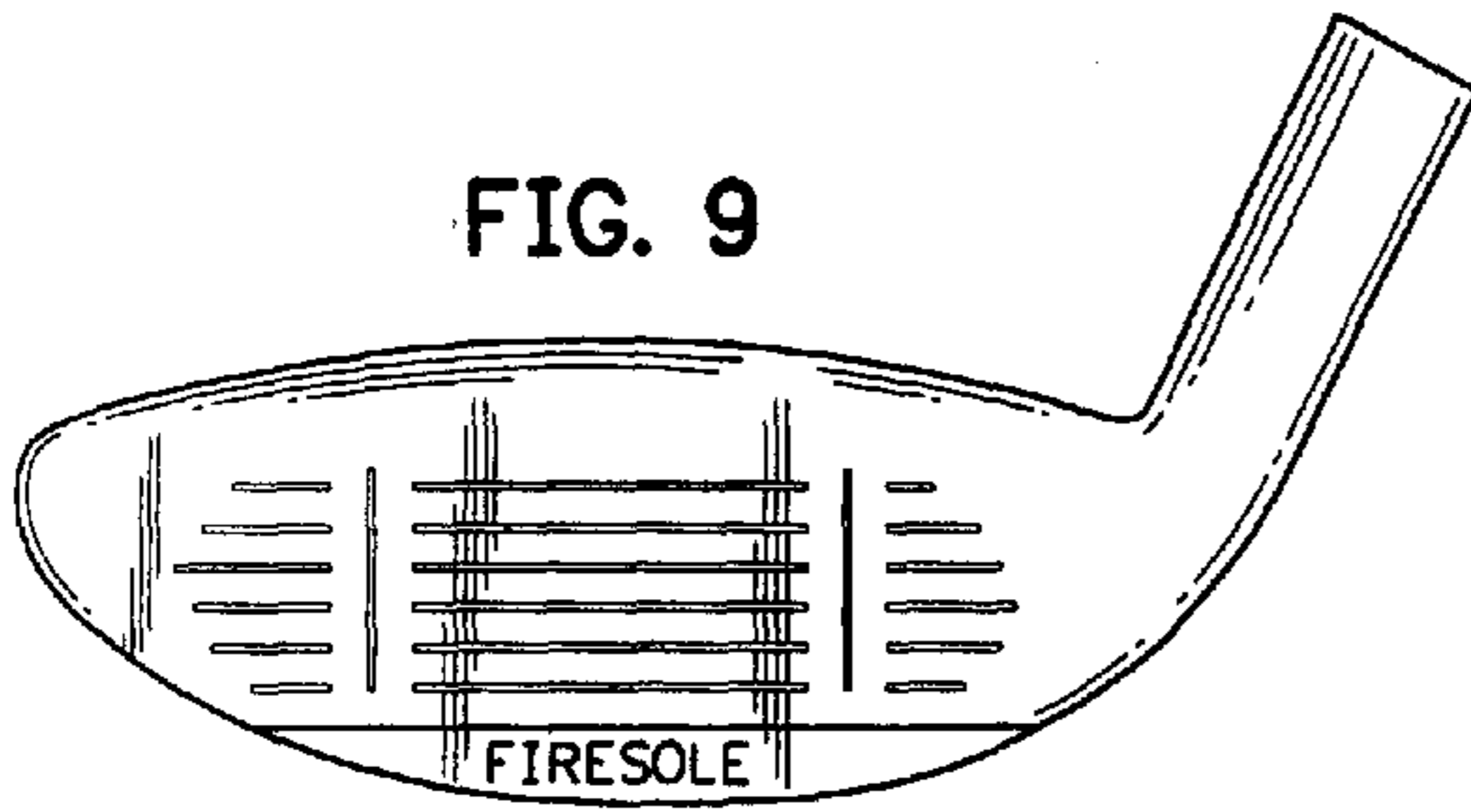


FIG. 13

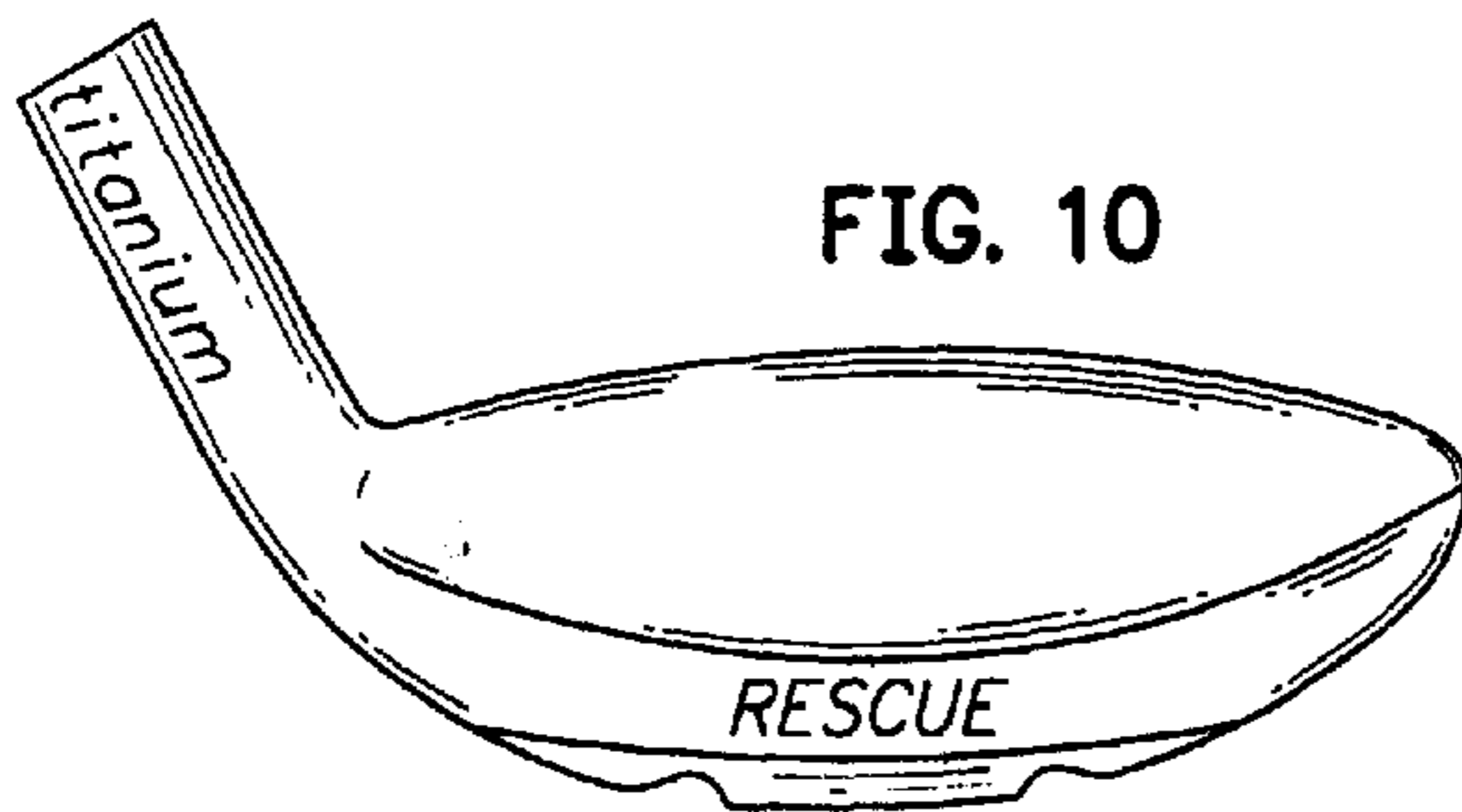


FIG. 10

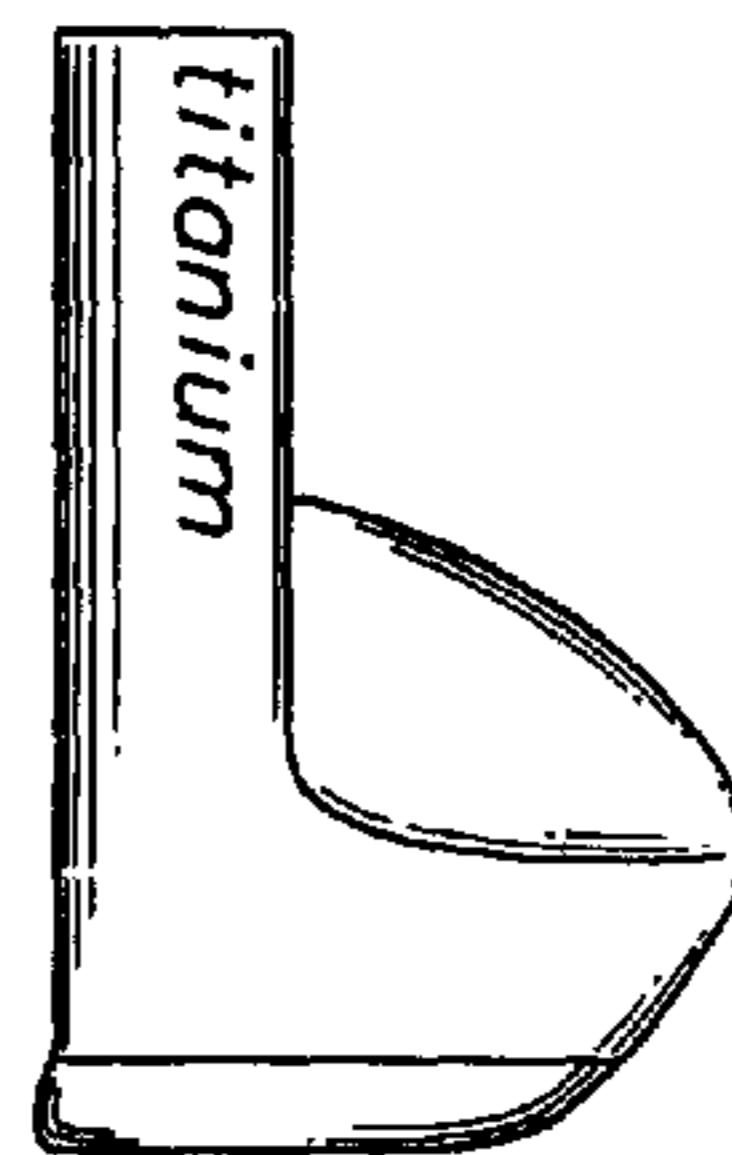


FIG. 14

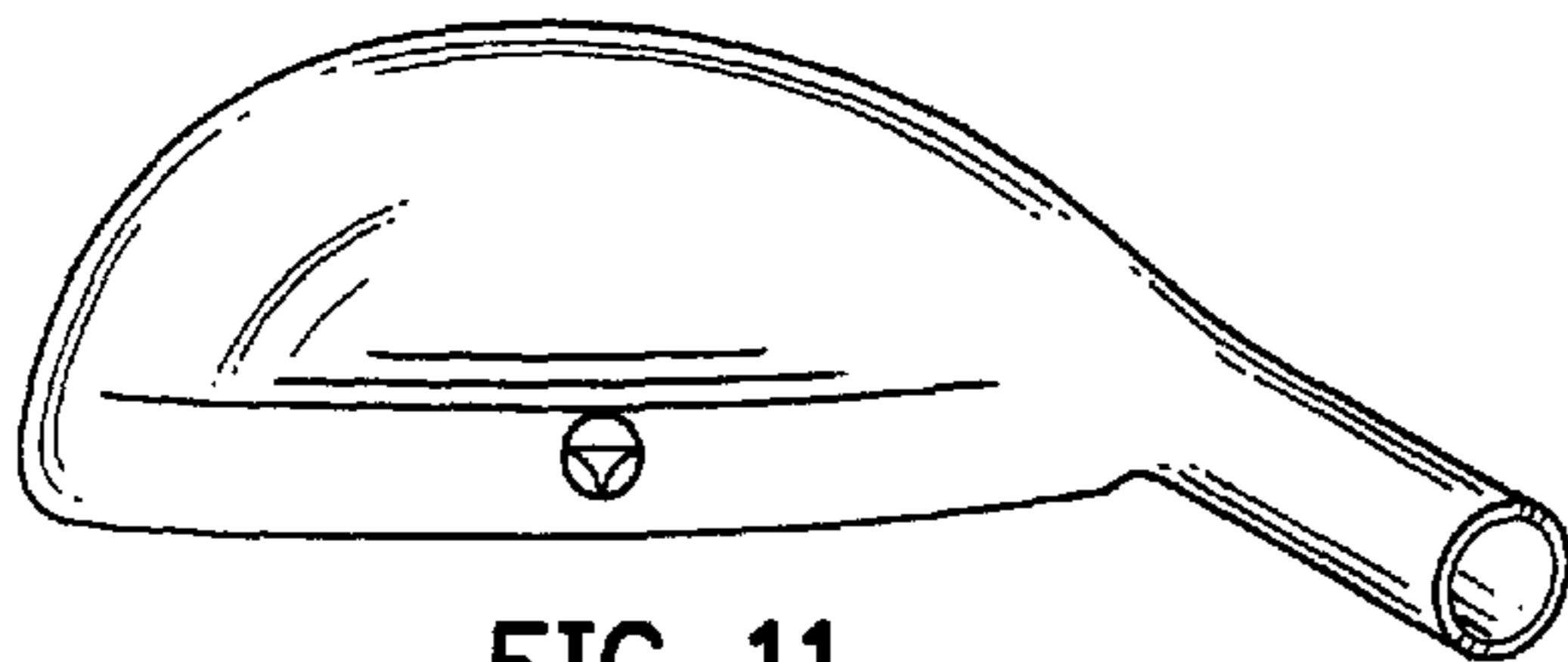


FIG. 11

UNITED STATES PATENT AND TRADEMARK OFFICE
CERTIFICATE OF CORRECTION

PATENT NO. : Des. 426,604
DATED : June 13, 2000
INVENTOR(S) : Philippe Besnard et al.

Page 1 of 3

It is certified that error appears in the above-identified patent and that said Letters Patent is hereby corrected as shown below:

Title page,

The title page, showing the illustrative figure, should be deleted and substitute therefor the attached title page.

Drawings,

The drawing sheet consisting of Fig. 8, should be deleted to be replaced with the drawing sheet consisting of Fig. 8, as shown on the attached page.

Signed and Sealed this

Twenty-fourth Day of December, 2002

A handwritten signature in black ink, appearing to read "James E. Rogan", written over a horizontal line.

JAMES E. ROGAN
Director of the United States Patent and Trademark Office

United States Patent [19]
Besnard et al.

[11] **Patent Number: Des. 426,604**
[45] **Date of Patent: ** Jun. 13, 2000**

[54] **GOLF CLUB HEAD**

[75] Inventors: **Philippe Besnard**, Oceanside; **Michael R. Peters**, Vista; **Bret H. Wahl**; **Sandy Suchor**, both of Carlsbad, all of Calif.

[73] Assignee: **Taylor Made Golf Co., Inc.**, Carlsbad, Calif.

[**] Term: **14 Years**

[21] Appl. No.: **29/099,181**

[22] Filed: **Jan. 15, 1999**

[51] **LOC (7) Cl.** **21-02**

[52] **U.S. Cl.** **D21/752**

[58] **Field of Search** **D21/733, 736-752;**
473/324, 327-331, 340, 341, 345, 346,
350

[56] **References Cited**

U.S. PATENT DOCUMENTS

D. 83,077	1/1931	Sussams .	
D. 83,722	3/1931	Craig	D21/736
D. 192,515	4/1962	Henrich .	
D. 318,701	7/1991	Antonious	D21/214
D. 318,892	8/1991	Antonious	D21/214
D. 388,142	12/1997	Miller	D21/733
D. 404,098	1/1999	Ishikawa et al.	D21/733
D. 405,857	2/1999	Lovett	D21/747
3,068,011	12/1962	Sano	473/324
3,126,206	3/1964	Sabia	273/186
5,004,241	4/1991	Antonious	273/167 H

FOREIGN PATENT DOCUMENTS

10263122 10/1998 Japan .

OTHER PUBLICATIONS

Brochure: PRGR Zoom Golf Progressing. Power Long Gear, "Zoom." Jan., 1997.
U.S. application No. 09/184,573; Peters et al; pending.

Primary Examiner—Mitchell Siegel
Attorney, Agent, or Firm—John L. Rogitz

[57] **CLAIM**

The ornamental design for a golf club head, as shown and described.

DESCRIPTION

FIG. 1 is a perspective view of the present golf club head;
 FIG. 2 is a front elevational view of the golf club head, looking at the face of the head;
 FIG. 3 is a rear elevational view of the golf club head;
 FIG. 4 is a view generally from the top of the golf club head looking parallel to the club face;
 FIG. 5 is a bottom view of the golf club head;
 FIG. 6 is a toe view of the golf club head;
 FIG. 7 is a heel view of the golf club head, looking at the hosel of the head;
 FIG. 8 is a perspective view of a second embodiment of the golf club head as disclosed in FIG. 1;
 FIG. 9 is a front elevational view of the golf club head shown in FIG. 8, looking at the face of the head;
 FIG. 10 is a rear elevational view of the golf club head shown in FIG. 8;
 FIG. 11 is a view generally from the top of the golf club head shown in FIG. 8 looking parallel to the club face;
 FIG. 12 is a bottom view of the golf club head shown in FIG. 8;
 FIG. 13 is a toe view of the golf club head shown in FIG. 8; and,
 FIG. 14 is a heel view of the golf club head shown in FIG. 8.

1 Claim, 2 Drawing Sheets

