



US00D426599S

United States Patent [19]

Morgan et al.

[11] Patent Number: Des. 426,599

[45] Date of Patent: ** Jun. 13, 2000

[54] GOLF PUTTER HEAD

[76] Inventors: **Byron Morgan; John Ortega**, both of 21574 Newland St., Huntington Beach, Calif. 92646

[**] Term: **14 Years**

[21] Appl. No.: **29/108,276**

[22] Filed: **Jul. 23, 1999**

Related U.S. Application Data

[63] Continuation-in-part of application No. 09/025,039, Feb. 17, 1998, which is a continuation-in-part of application No. 08/835,177, Apr. 7, 1997, abandoned.

[51] **LOC (7) Cl.** **21-01**

[52] **U.S. Cl.** **D21/736**

[58] **Field of Search** D21/736-746;
473/324, 327-331, 340, 341, 251-256

[56] References Cited

U.S. PATENT DOCUMENTS

D. 207,227 3/1967 Solheim D21/739
4,121,832 10/1978 Ebbing 473/340

OTHER PUBLICATIONS

Austad's; p. H-42; Knight putter, Jun. 1998.
Golfsmith store; Pro-select putter, Mar. 1999.
Golfsmith store; p. 17; Wilson Fat shaft insert putters, Mar. 1999.
EdwinWatts; p. 14; Scotty Cameron milled putter, items: Newport, Santa Fe and Sonioma, Jun. 1996.

Primary Examiner—Mitchell Siegel
Attorney, Agent, or Firm—Dennis W. Beech

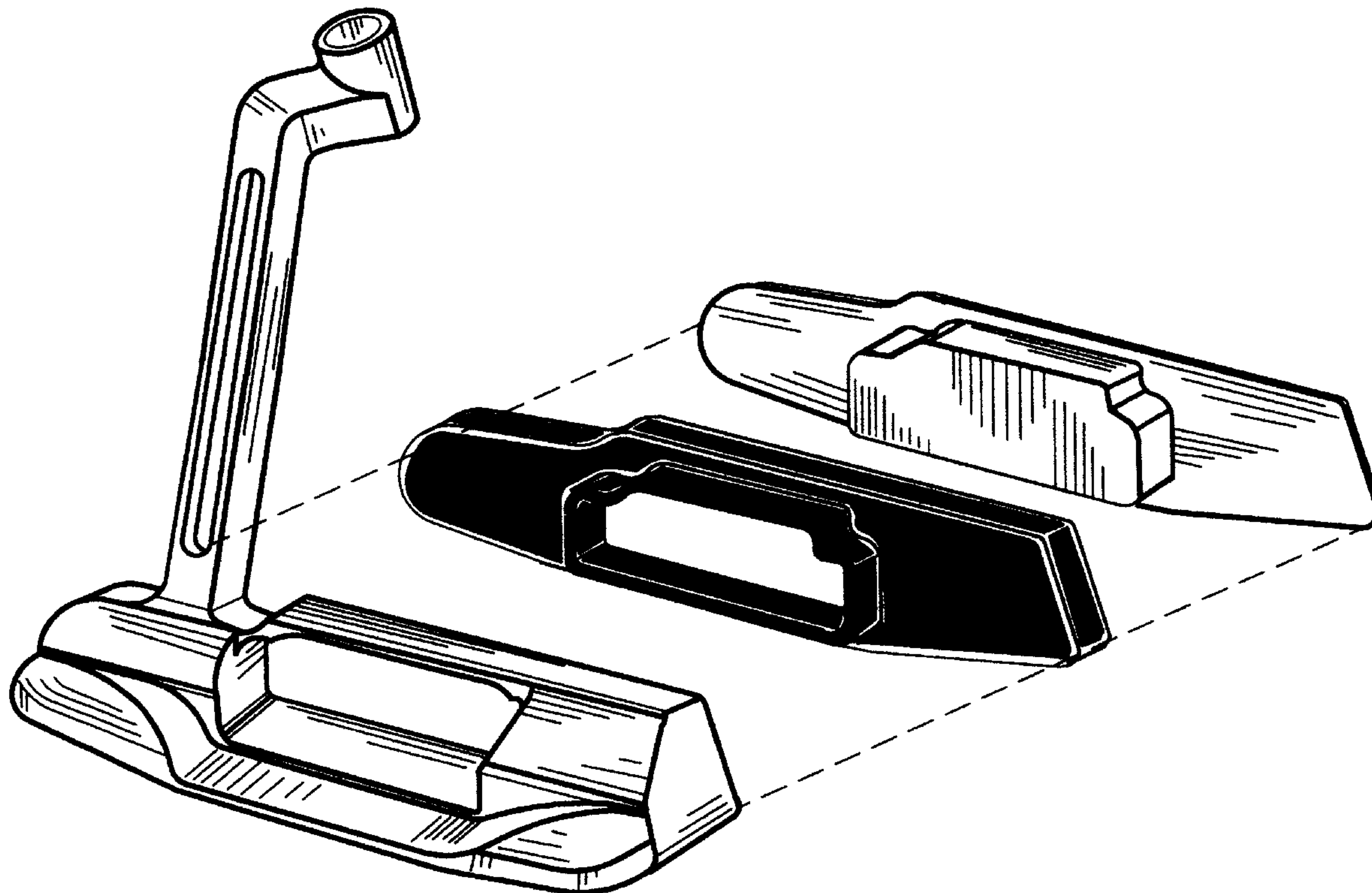
[57] CLAIM

The ornamental design for a golf putter head, as shown and described.

DESCRIPTION

FIG. 1 is a toe end view of the golf putter head showing our new design;
FIG. 2 is a strike face view of the invention thereof;
FIG. 3 is a heel end view thereof;
FIG. 4 is a back surface view thereof;
FIG. 5 is a bottom view thereof;
FIG. 6 is a top view thereof; and,
FIG. 7 is an exploded perspective view of the invention showing our new design.

1 Claim, 3 Drawing Sheets



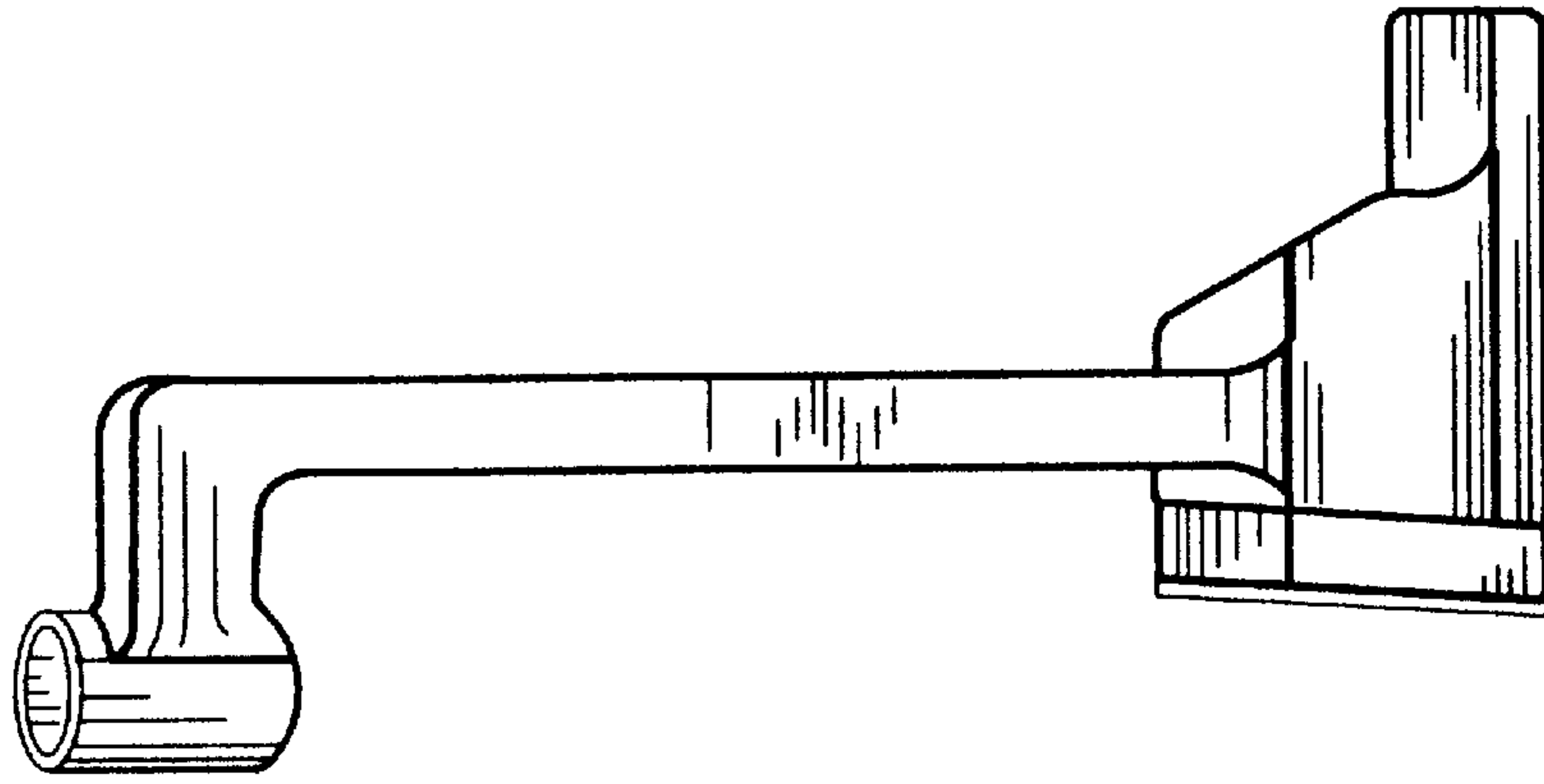


FIG. 1

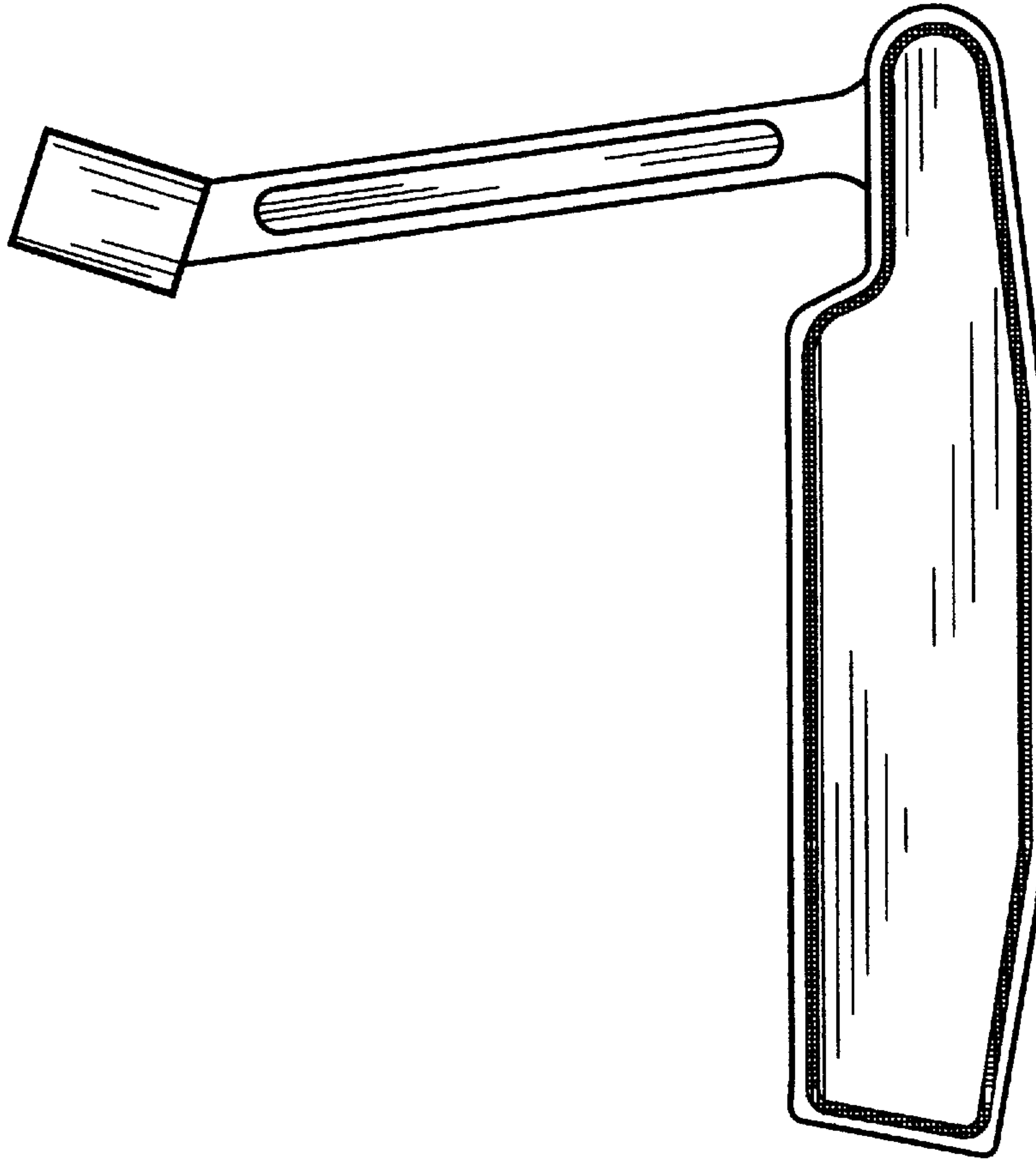


FIG. 2

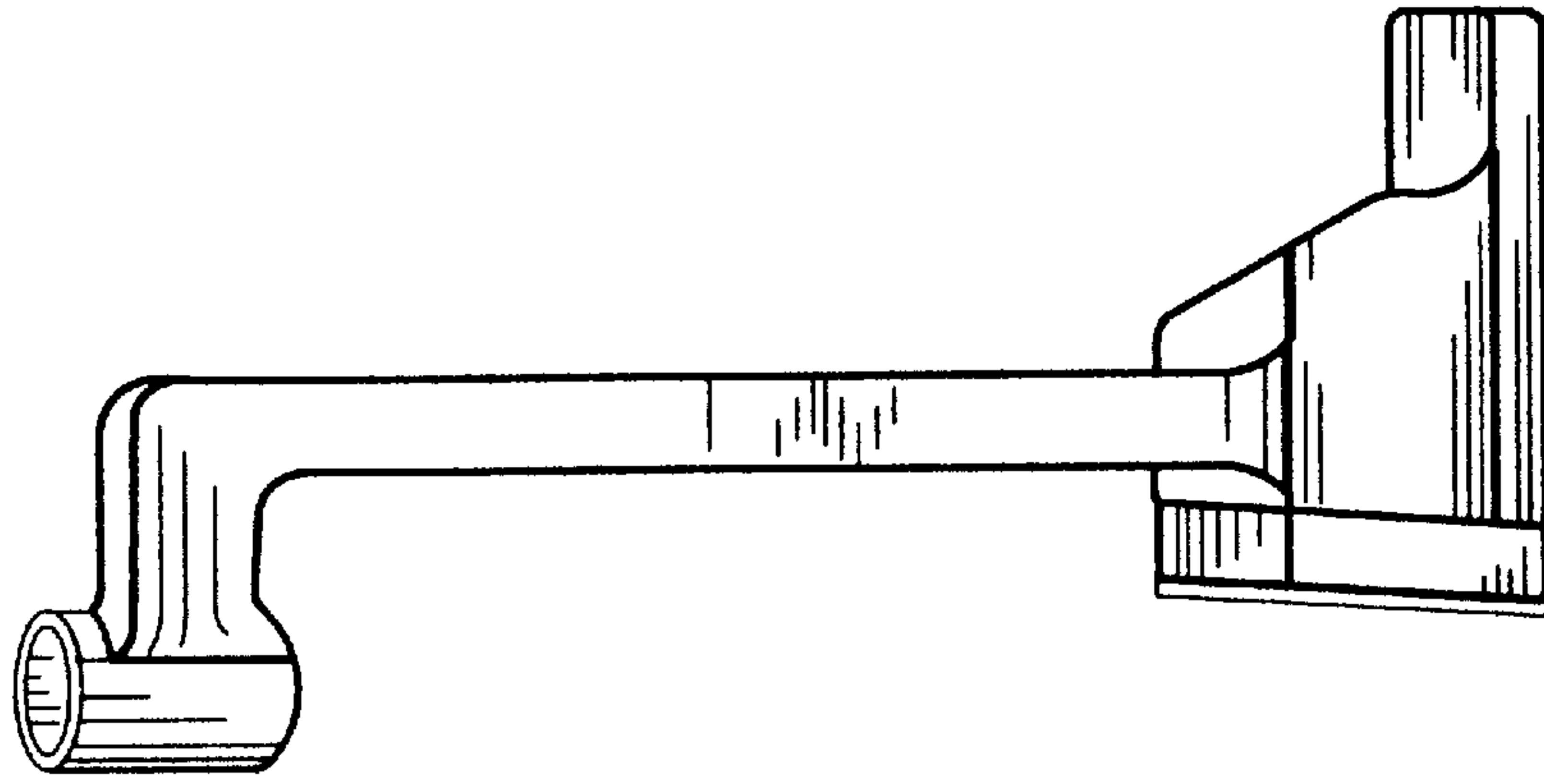


FIG. 3

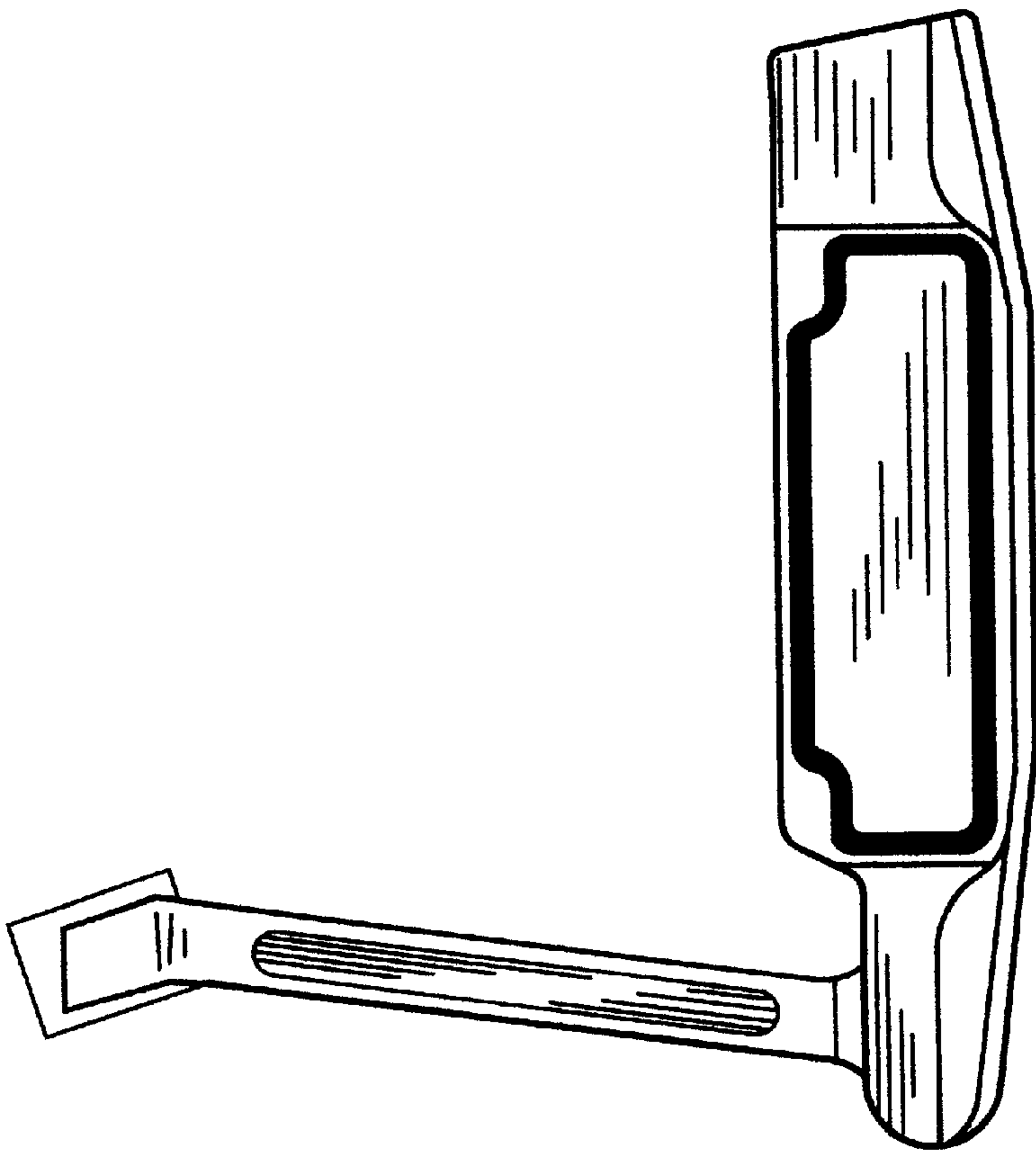


FIG. 4



FIG. 5

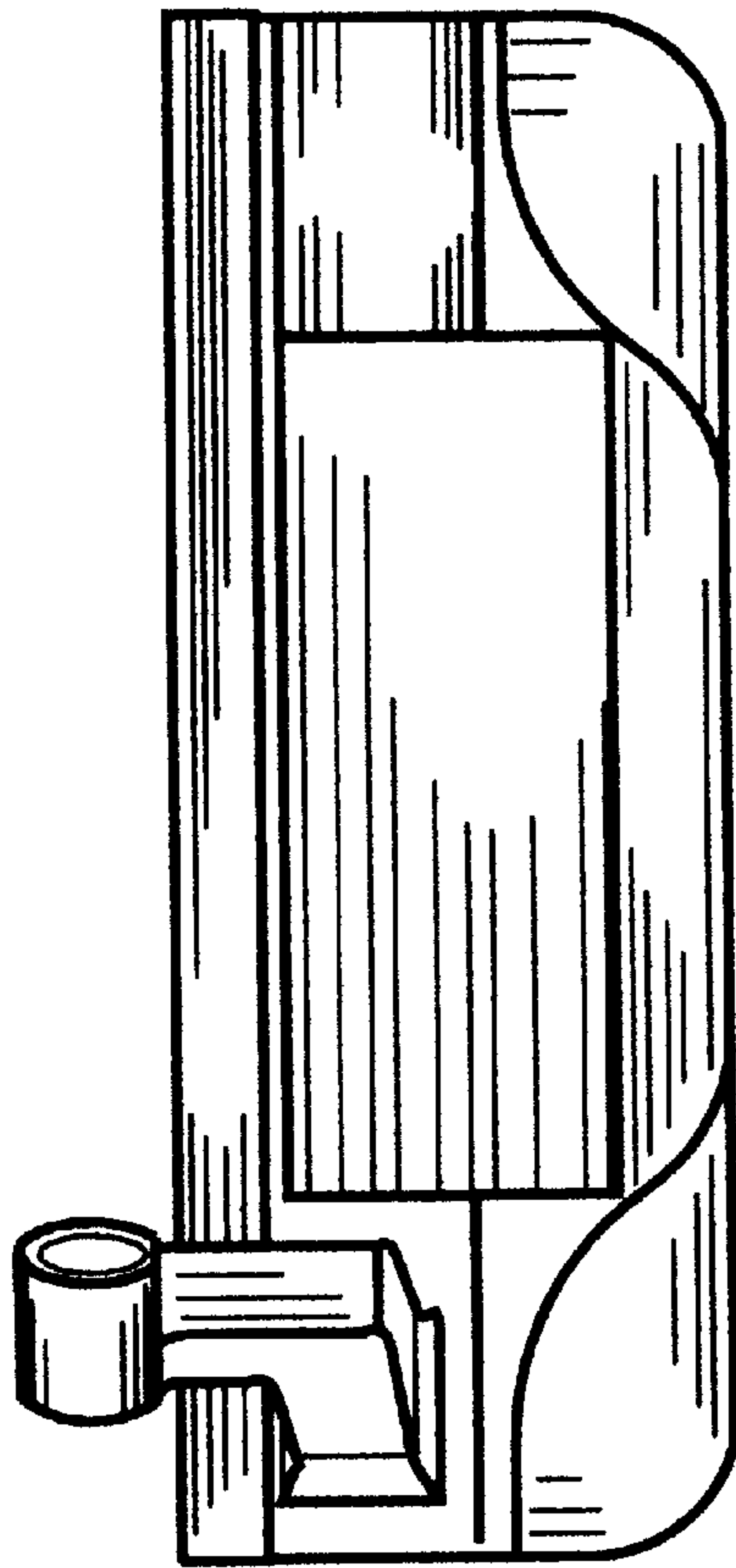


FIG. 6

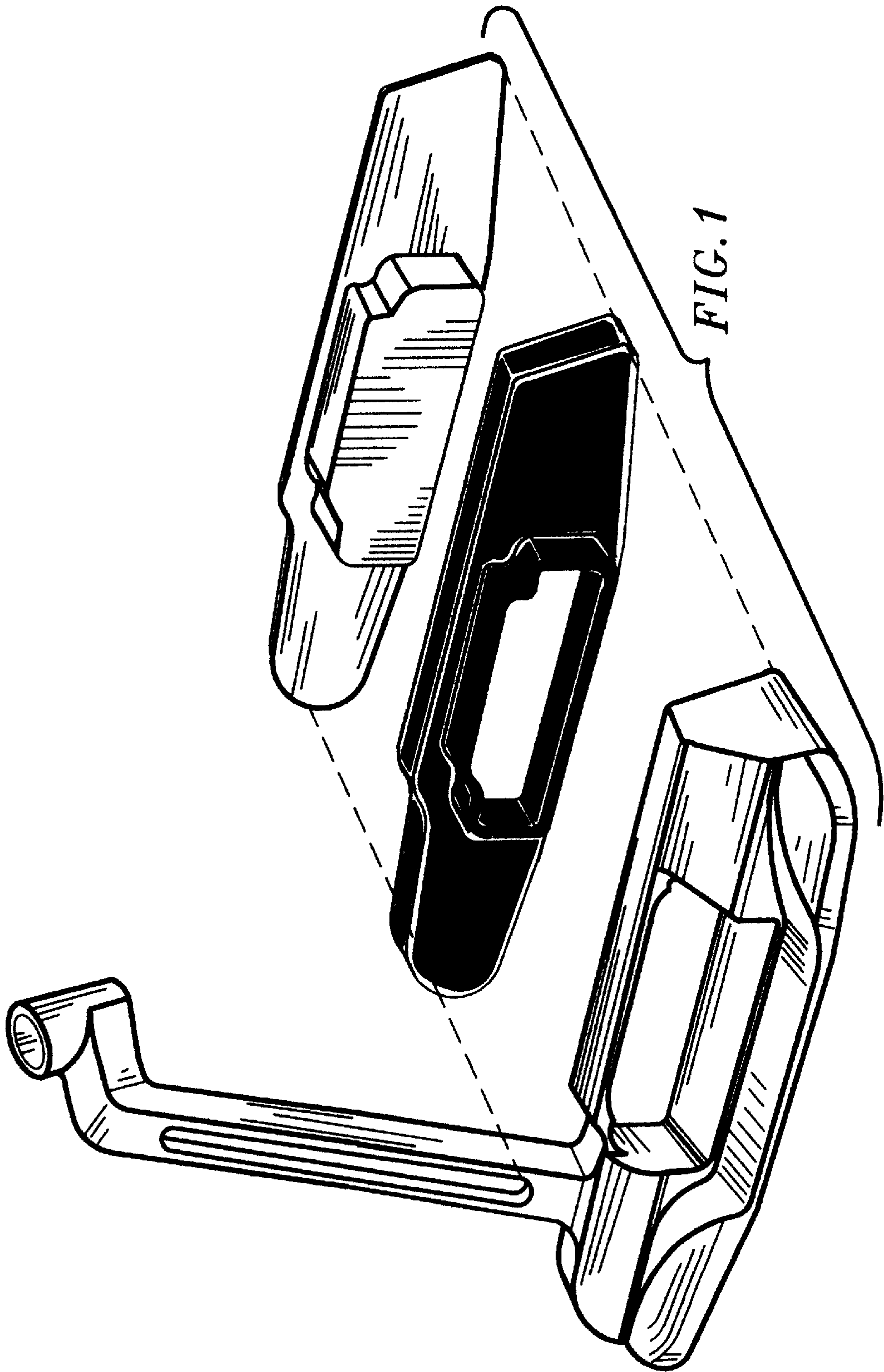


FIG. 1

FIG. 7