



US00D426592S

**United States Patent** [19]  
**Zimmerman**

[11] **Patent Number: Des. 426,592**  
[45] **Date of Patent: \*\* Jun. 13, 2000**

[54] **WATER GUN**

[75] Inventor: **Jeffrey Zimmerman**, King of Prussia, Pa.

[73] Assignee: **Larami Limited**, Mt. Laurel, N.J.

[\*\*] Term: **14 Years**

[21] Appl. No.: **29/106,893**

[22] Filed: **Jun. 22, 1999**

[51] **LOC (7) Cl.** ..... **21-01**

[52] **U.S. Cl.** ..... **D21/572**

[58] **Field of Search** ..... D21/567-575;  
D14/117.8; D23/225, 226; 446/473, 475,  
406, 267, 180, 219, 430; 222/78, 79; 239/526,  
587.5, 211, 237; 124/16, 22, 73-76, 83-85

[56] **References Cited**

**U.S. PATENT DOCUMENTS**

D. 168,878 2/1953 Arliss ..... D21/572  
D. 337,797 7/1993 D'Andrade ..... D21/572

D. 344,109 2/1994 Lin ..... D21/575  
D. 350,575 9/1994 Caminos et al. .... D21/572  
D. 380,506 7/1997 Matthews ..... D21/572  
5,586,688 12/1996 Johnson et al. .... 222/79  
5,758,800 6/1998 D'Andrade ..... 222/79

*Primary Examiner*—Raphael Barkai  
*Attorney, Agent, or Firm*—Akin, Gump, Strauss, Hauer & Feld, L.L.P.

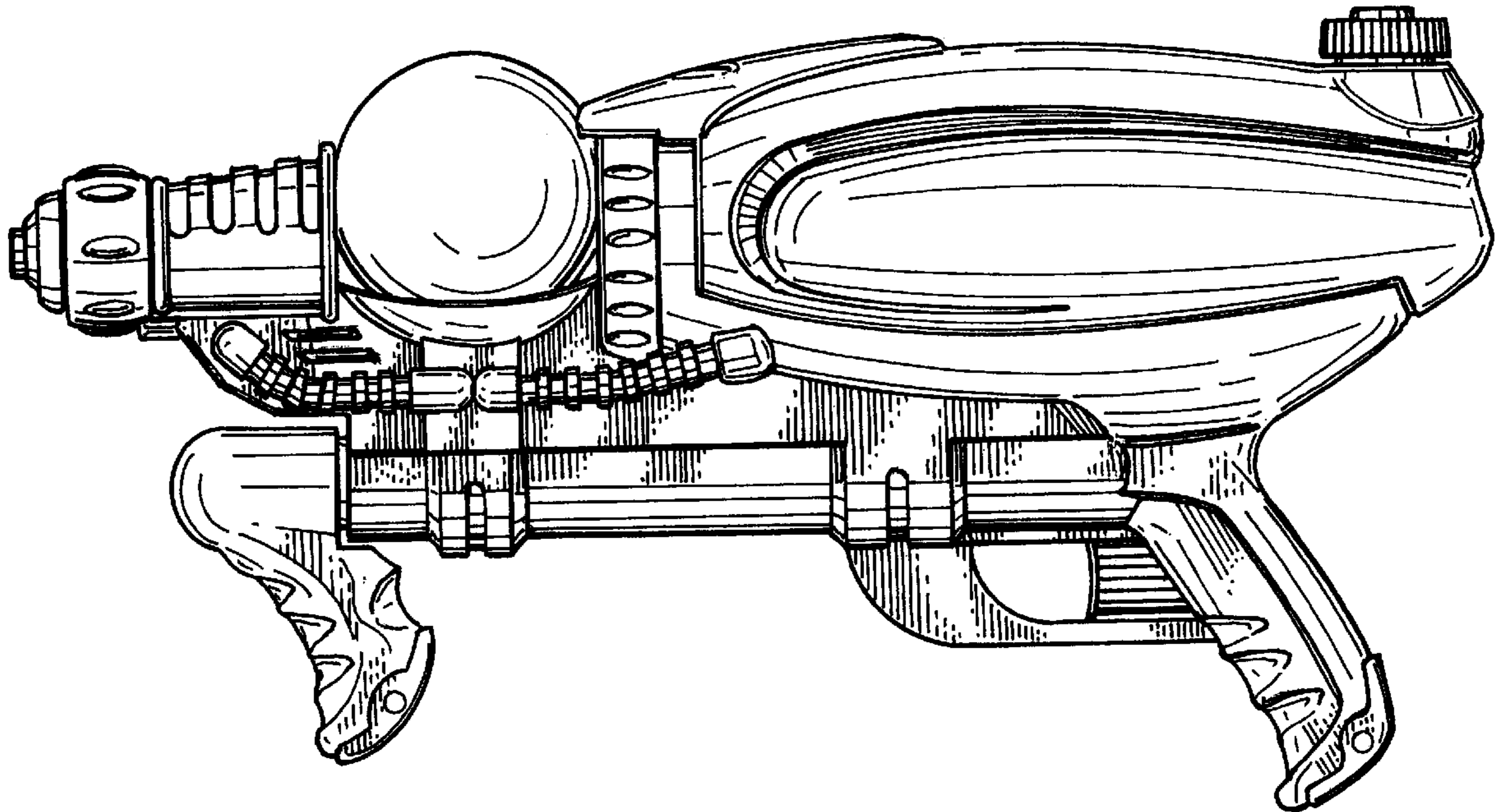
[57] **CLAIM**

The ornamental design for the water gun, as shown and described.

**DESCRIPTION**

FIG. 1 is a right side elevational view of gun in accordance with my new design, the indicia shown being merely exemplary and not forming a part of the design; FIG. 2 is a left side elevational view thereof; FIG. 3 is a bottom view thereof; FIG. 4 is a front elevational view thereof; FIG. 5 is a top view thereof; and, FIG. 6 is a rear elevational view thereof.

**1 Claim, 4 Drawing Sheets**



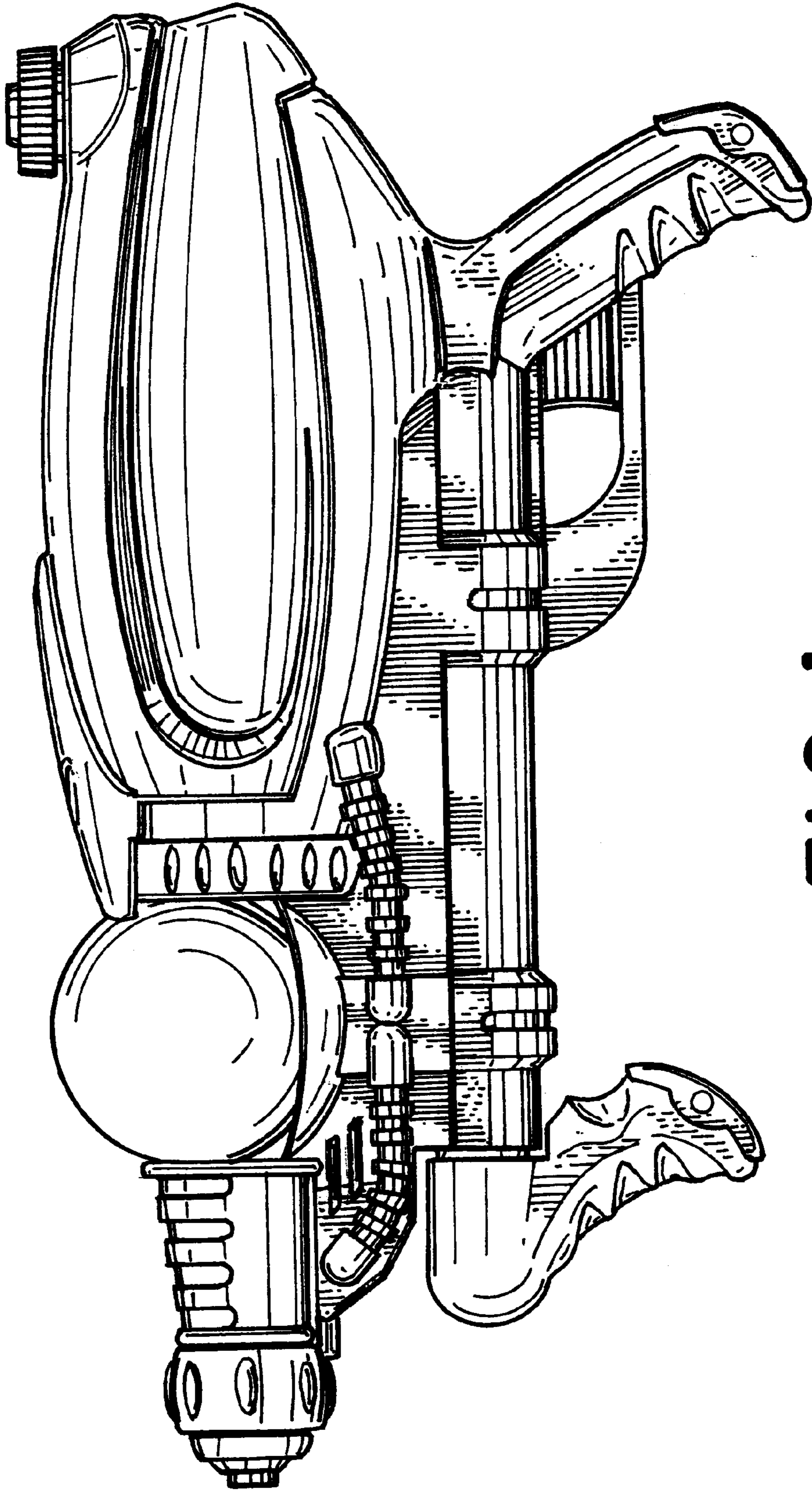


FIG. 1

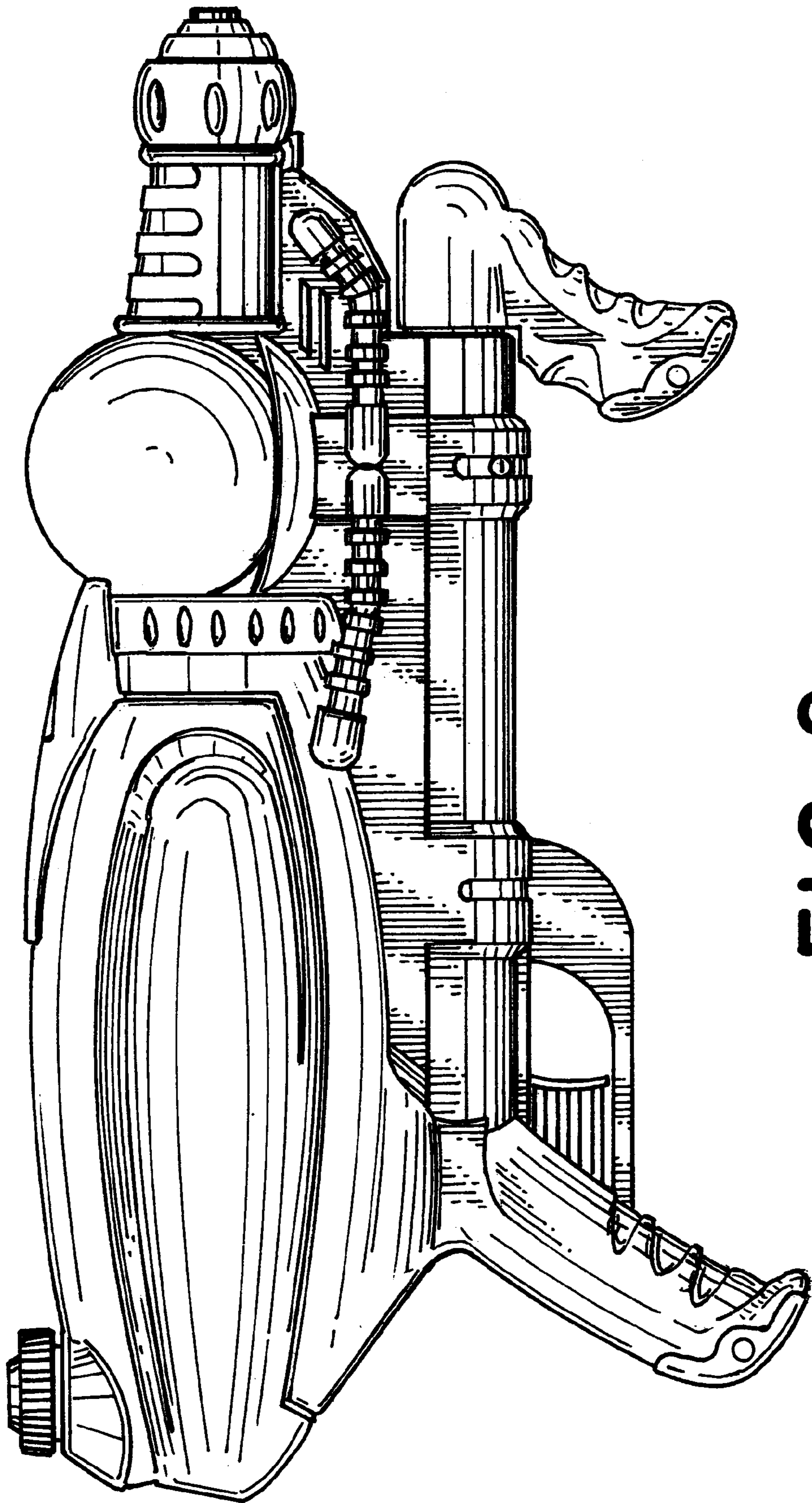


FIG. 2



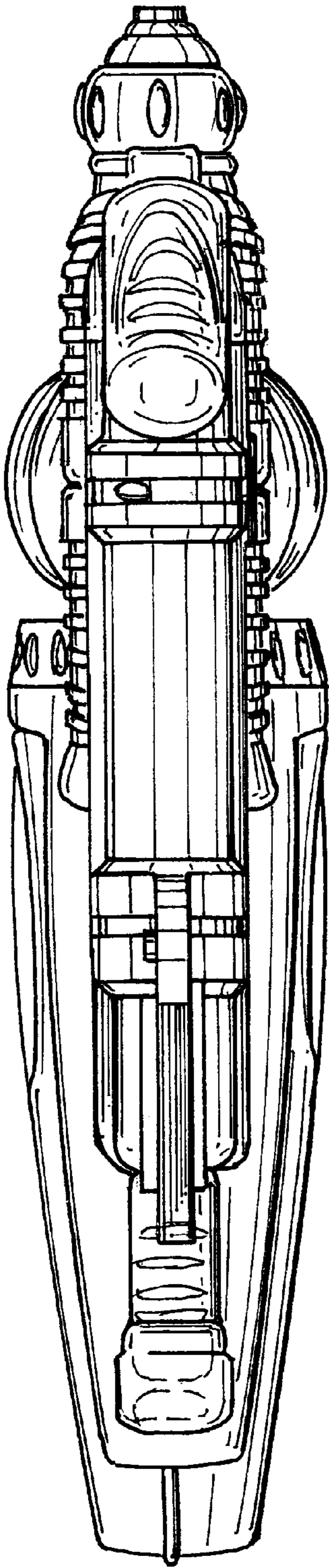


FIG. 3

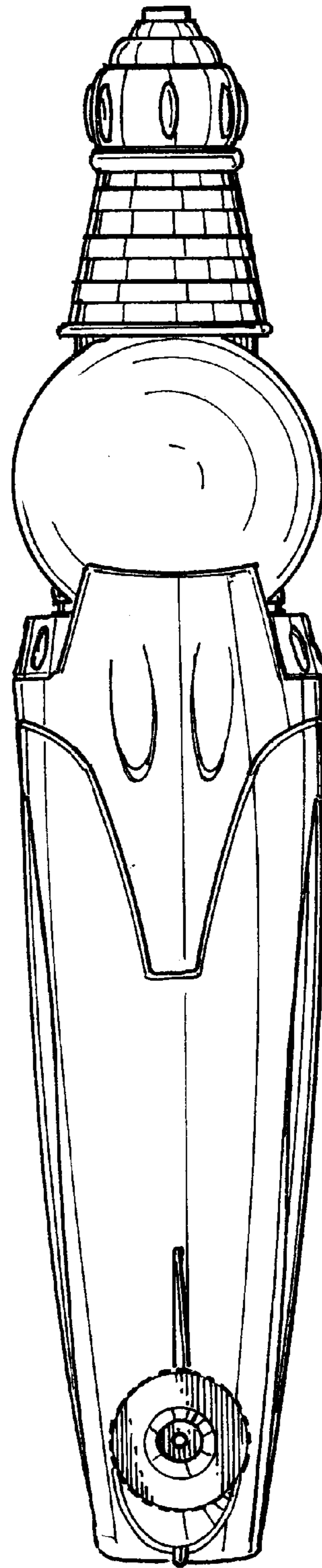
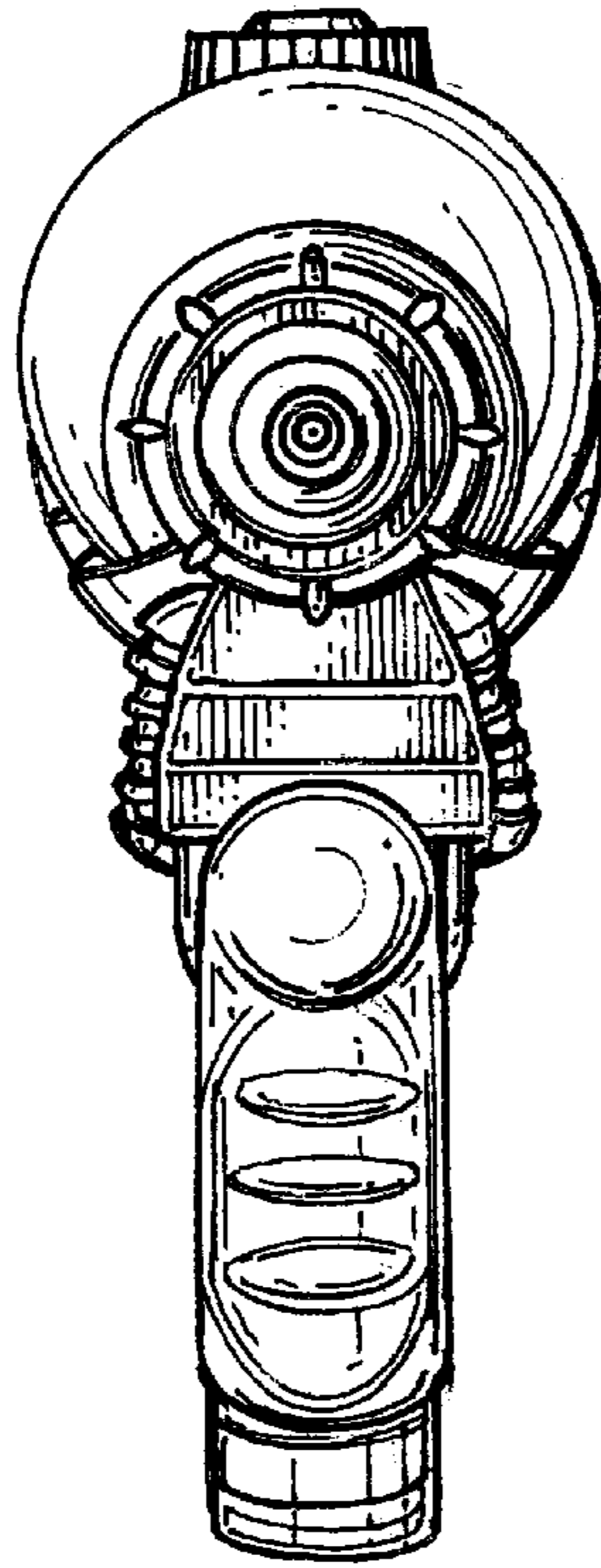
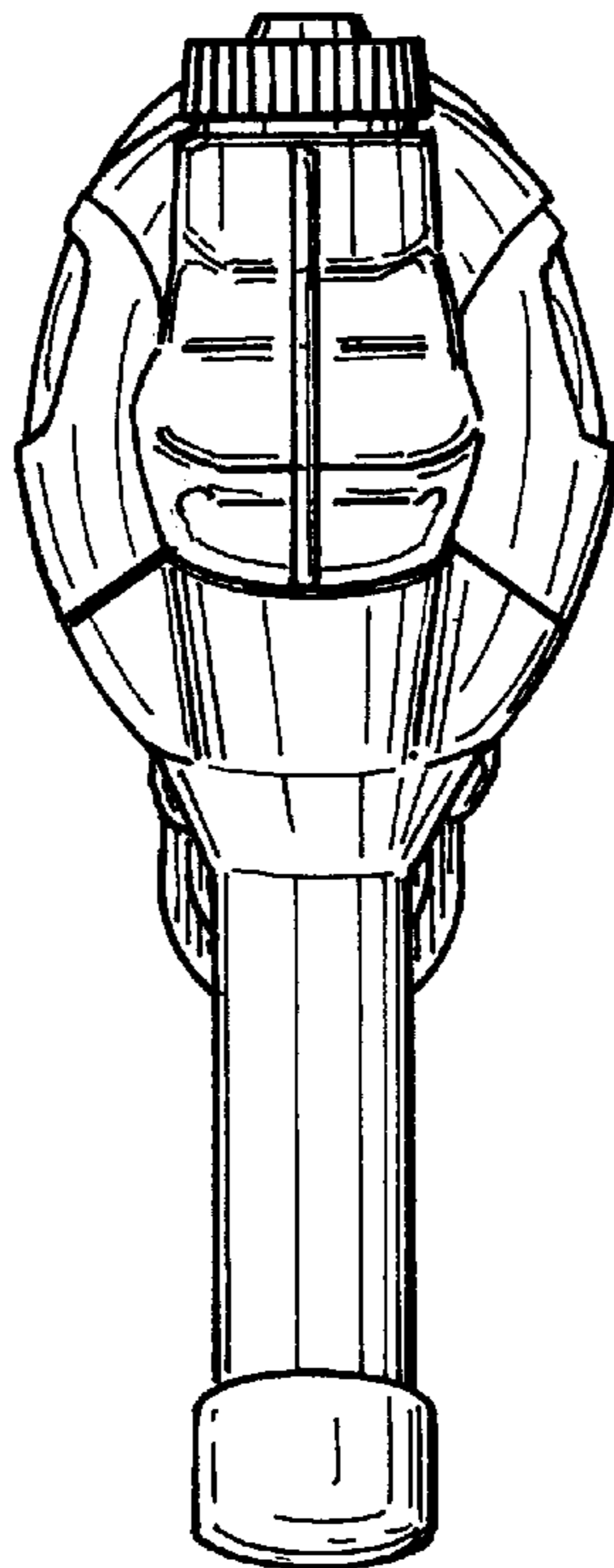


FIG. 5



**FIG. 4**



**FIG. 6**