



US00D426590S

United States Patent [19]

[11] **Patent Number: Des. 426,590**

Lan

[45] **Date of Patent: ** Jun. 13, 2000**

[54] **TOY IRONING BOARD**

5,572,811 11/1996 Lehrman 38/106
5,924,226 7/1999 Zuber 38/137

[76] Inventor: **Red Lan**, 15F, No. 108, Sec. 1, Hsin
Tai 5th Rd., Hsichich, Taipei Hsien,
Taiwan

Primary Examiner—Raphael Barkai
Attorney, Agent, or Firm—Skjerven, Morrill, MacPherson,
Franklin & Friel LLP; Alan H. MacPherson

[**] Term: **14 Years**

[57] CLAIM

[21] Appl. No.: **29/101,423**

The ornamental design for toy ironing board, as shown and described.

[22] Filed: **Mar. 3, 1999**

DESCRIPTION

[51] **LOC (7) Cl.** **21-01**

[52] **U.S. Cl.** **D21/526**

[58] **Field of Search** D21/483, 519,
D21/522, 524, 526; D32/66, 71, 70, 73;
446/474; 38/103-137

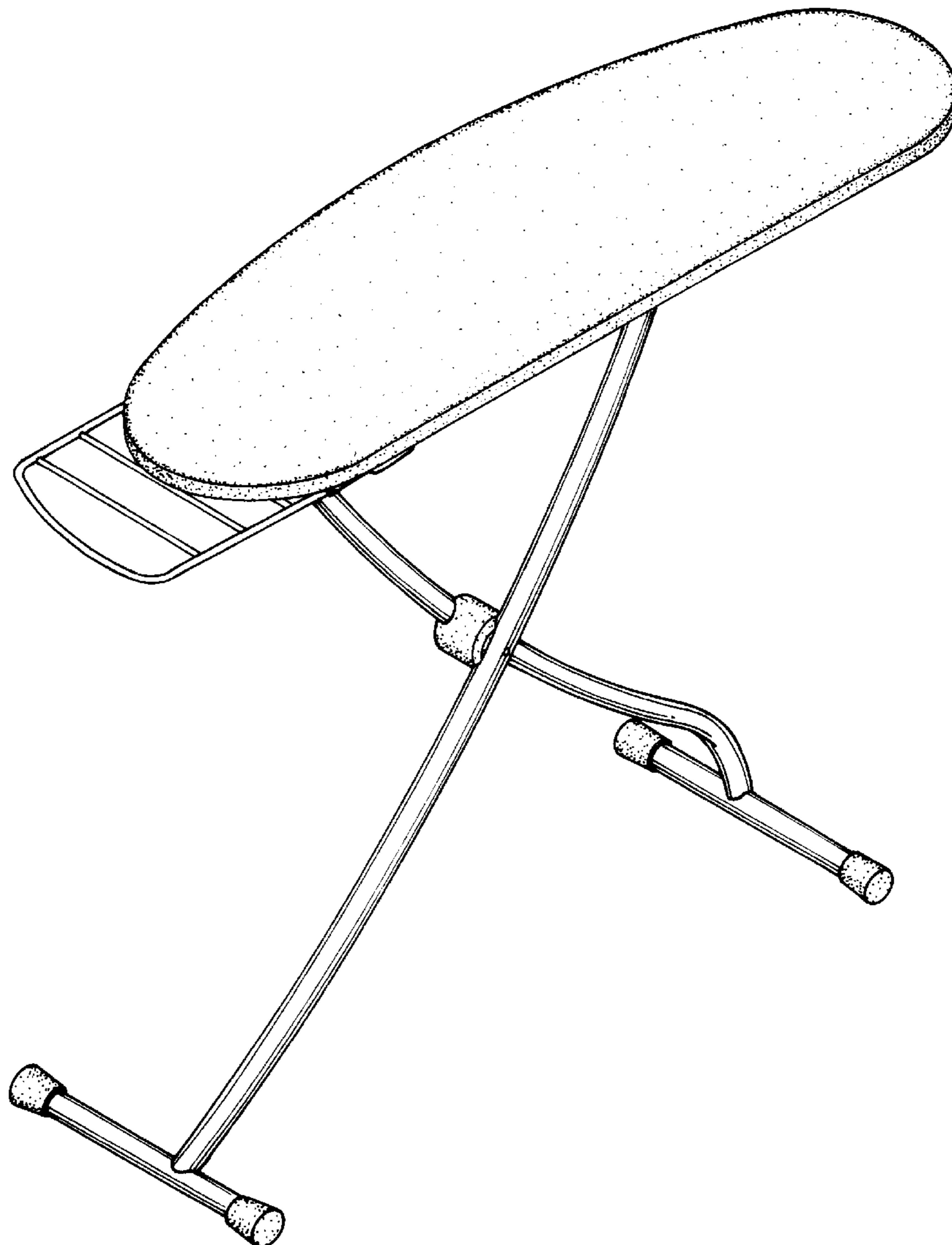
FIG. 1 is a perspective view of toy ironing board showing my new design;
FIG. 2 is a front elevational view thereof;
FIG. 3 is a rear elevational view thereof;
FIG. 4 is a left side elevational view thereof;
FIG. 5 is a right side elevational view thereof;
FIG. 6 is a top plan view thereof; and,
FIG. 7 is a bottom plan view thereof.

[56] References Cited

U.S. PATENT DOCUMENTS

D. 326,487 5/1992 Monneret D21/526
D. 373,869 9/1996 Stutzer et al. D32/66

1 Claim, 5 Drawing Sheets



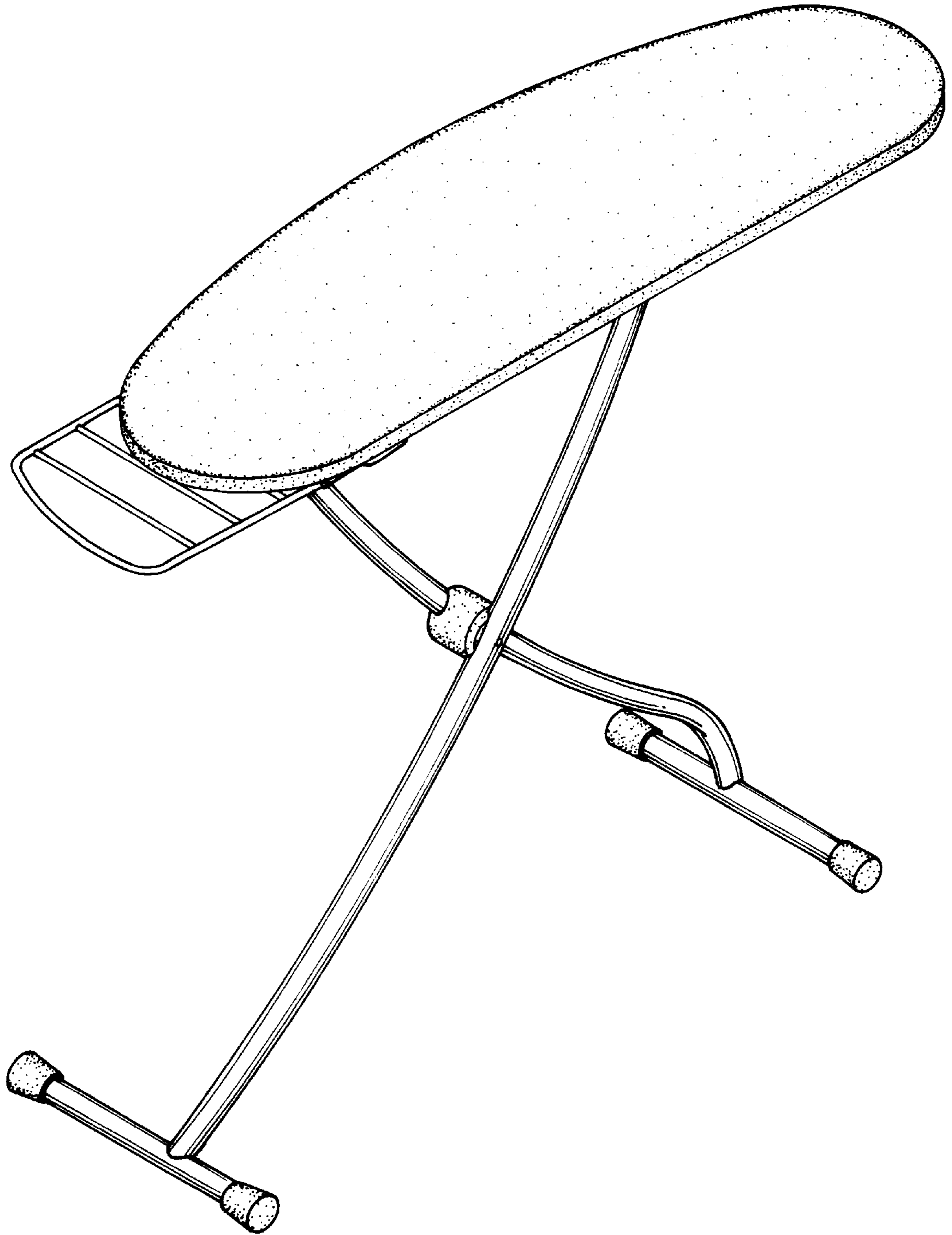


FIG. 1

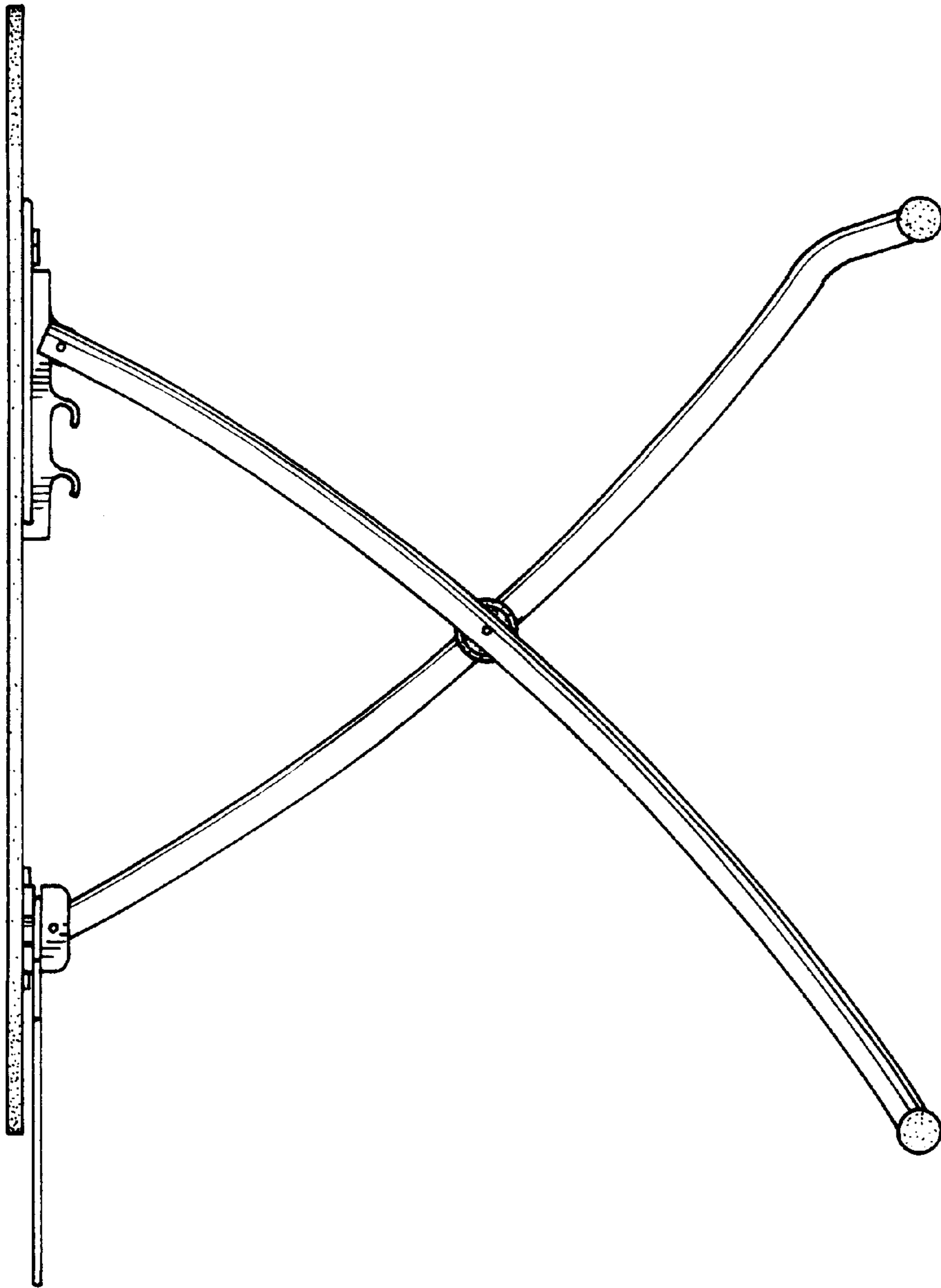


FIG. 2

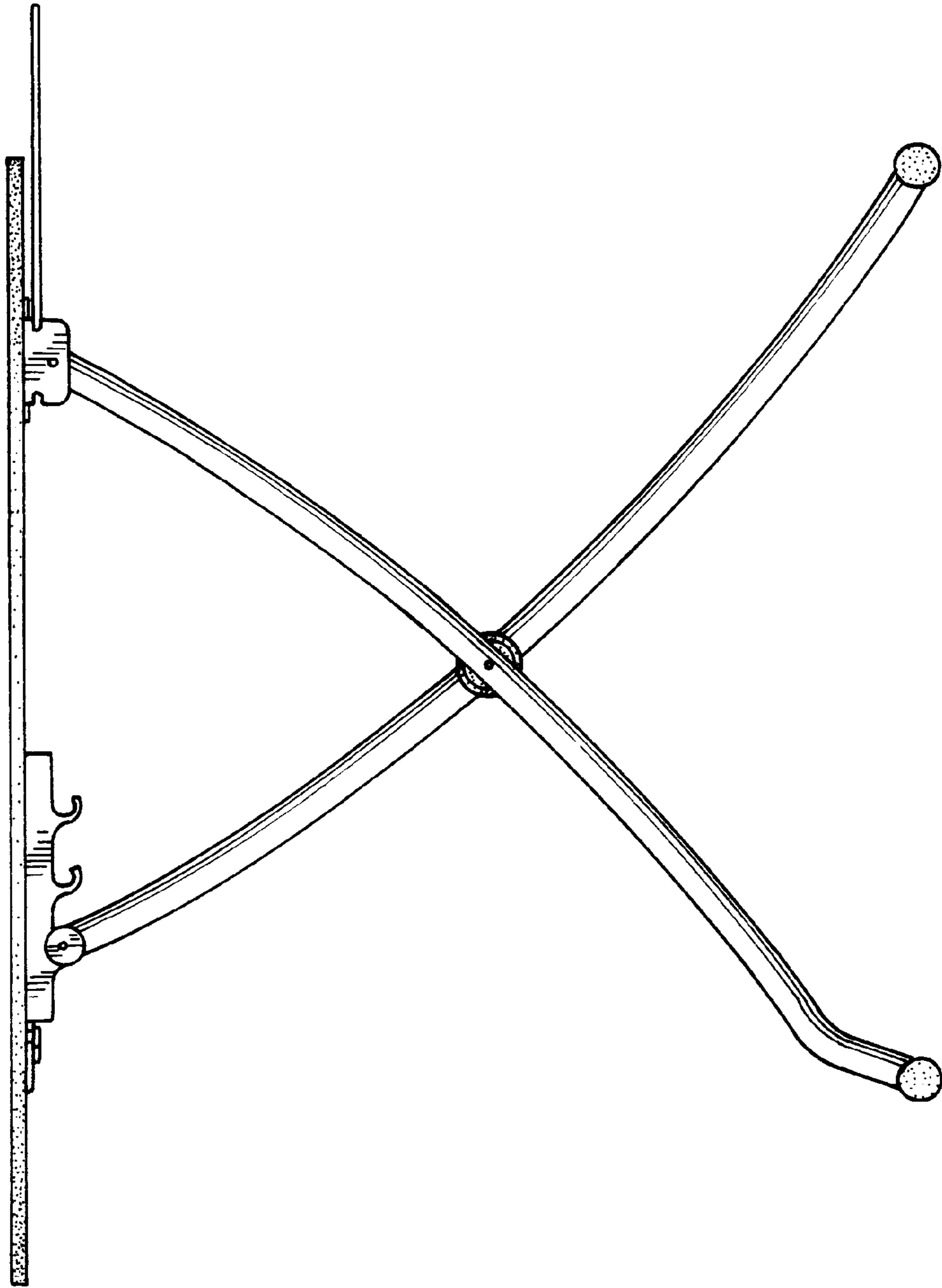


FIG. 3

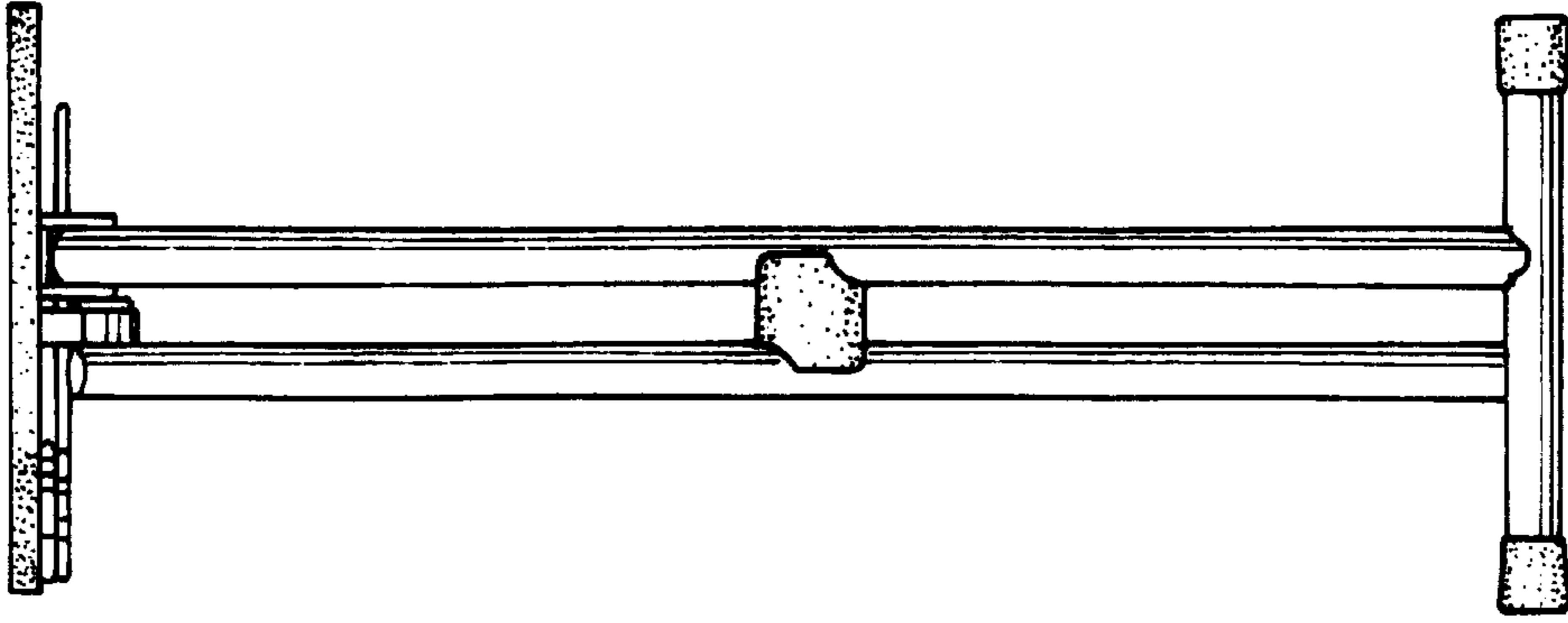


FIG. 5

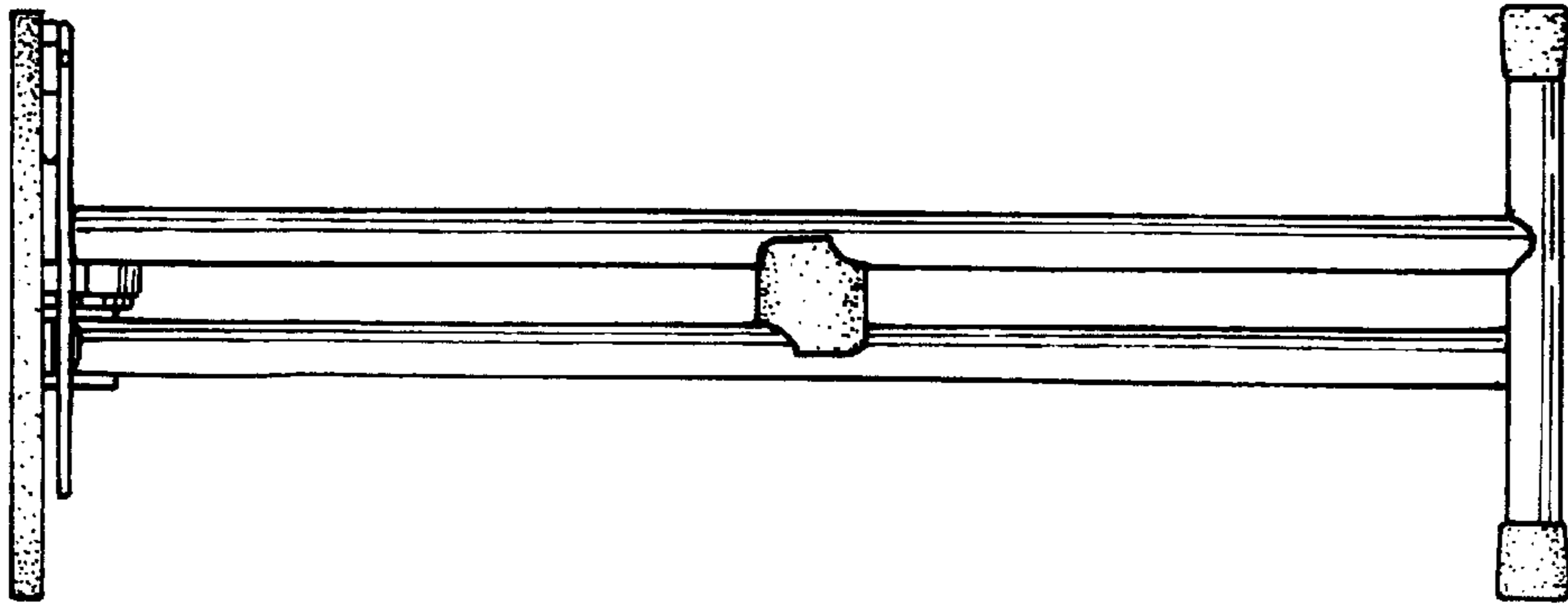


FIG. 4

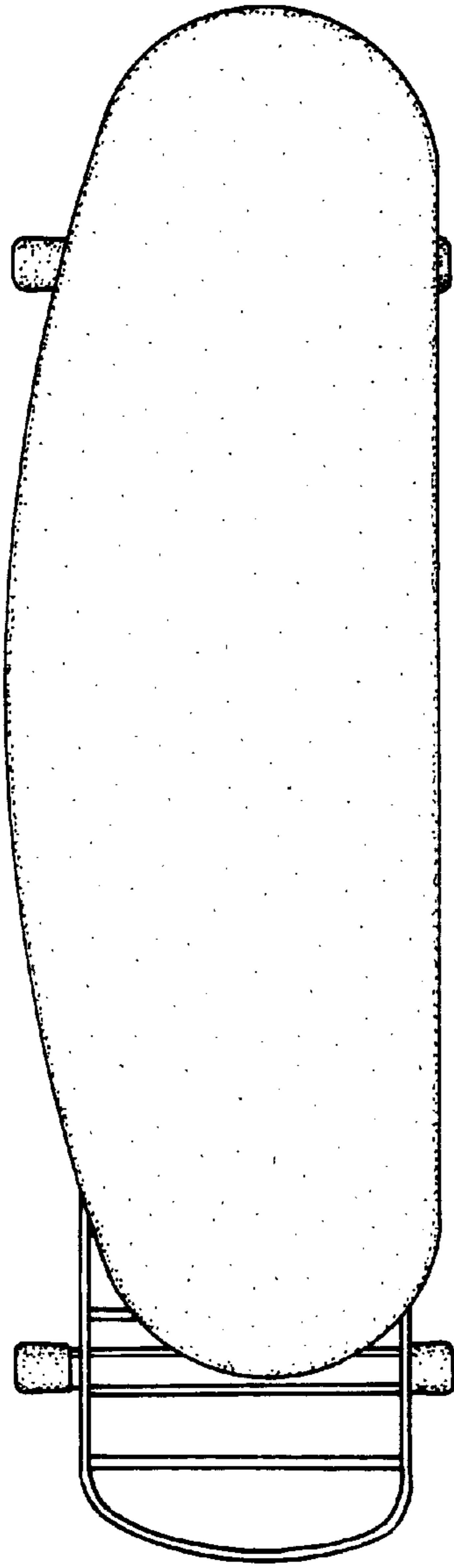


FIG. 6

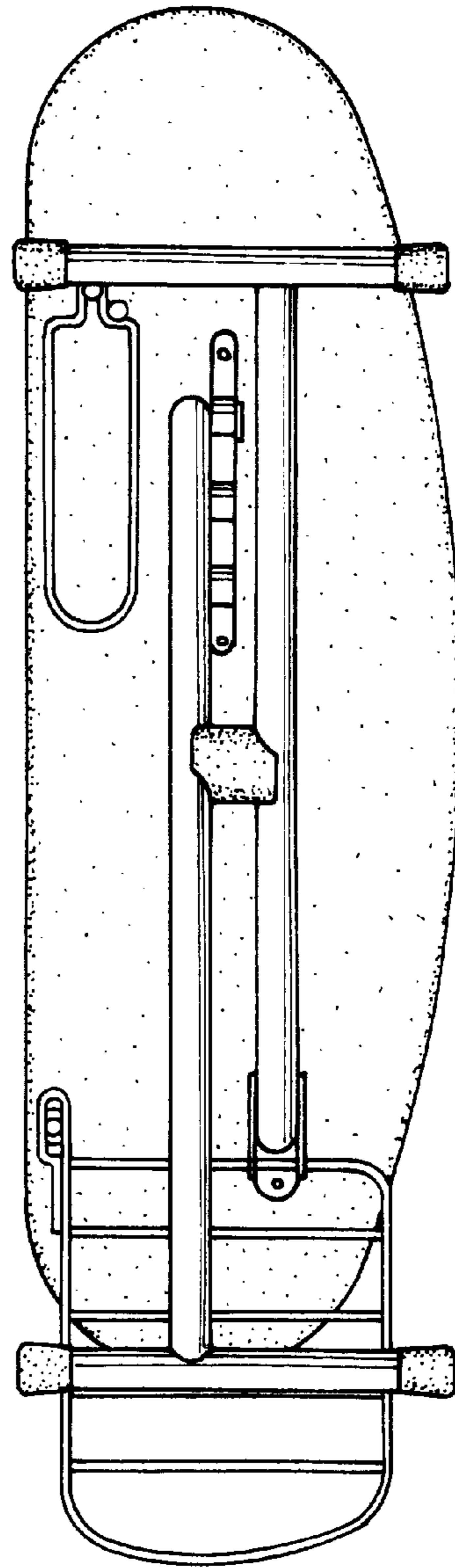


FIG. 7