



US00D426588S

# United States Patent [19] Glickman

[11] **Patent Number: Des. 426,588**  
[45] **Date of Patent: \*\* \*Jun. 13, 2000**

[54] **TREBLE STUD CONSTRUCTION TOY BLOCK**

[75] Inventor: **Joel I. Glickman**, Huntingdon Valley, Pa.

[73] Assignee: **Connector Set Limited Partnership**, Hatfield, Pa.

[\*] Notice: This patent is subject to a terminal disclaimer.

[\*\*] Term: **14 Years**

[21] Appl. No.: **29/098,086**

[22] Filed: **Dec. 21, 1998**

[51] **LOC (7) Cl.** ..... **21-01**

[52] **U.S. Cl.** ..... **D21/503; D21/486; D21/504**

[58] **Field of Search** ..... D21/484-505; D25/113-118; 446/85, 88, 93-96, 102-111, 116-117, 119-121, 124-125, 476; 52/592.1, 592.6, 604

### [56] **References Cited**

#### U.S. PATENT DOCUMENTS

D. 239,647	4/1976	Knudsen	.....	D21/504
D. 256,606	8/1980	Hoggard	.....	D21/503
D. 354,319	1/1995	Wilson	.....	D21/503
D. 373,606	9/1996	Knudsen	.....	D21/503
1,689,107	10/1928	Bradley	.....	D25/113
1,971,545	8/1934	Tompkins	.....	446/121
2,861,388	11/1958	Favaretto	.....	446/124
3,162,973	12/1964	Christiansen	.	
3,220,141	11/1965	Goss, III	.	
3,412,502	11/1968	Riches	.	

3,487,579	1/1970	Brettingen	.	
3,877,170	4/1975	Bakker	.	
4,246,718	1/1981	Chatani	.	
4,305,221	12/1981	Chatani	.	
4,306,373	12/1981	Chatani et al.	.	
5,230,195	7/1993	Sease	.....	52/592.6
5,683,283	11/1997	Glynn	.	

#### FOREIGN PATENT DOCUMENTS

229861	4/1958	Australia	.	
0 039 100	4/1980	European Pat. Off.	.	
1150976	5/1956	France	.	
1180316	6/1957	France	.	
24 29 491	1/1975	Germany	.	
935308	6/1961	United Kingdom	.	
1049484	9/1963	United Kingdom	.	

*Primary Examiner*—Raphael Barkai  
*Attorney, Agent, or Firm*—Schweitzer Cornman Gross & Bondell LLP

### [57] **CLAIM**

The ornamental design for a treble stud construction toy block, as shown and described.

### **DESCRIPTION**

FIG. 1 is a top perspective view of treble stud construction toy block according to the invention; FIG. 2 is a bottom perspective view thereof; FIG. 3 is a top plan view thereof; FIG. 4 is a bottom plan view thereof; FIG. 5 is a side elevational view thereof, the opposite side elevational view thereof being identical; and, FIG. 6 is an end elevational view thereof, the opposite end elevational view thereof being identical.

**1 Claim, 2 Drawing Sheets**

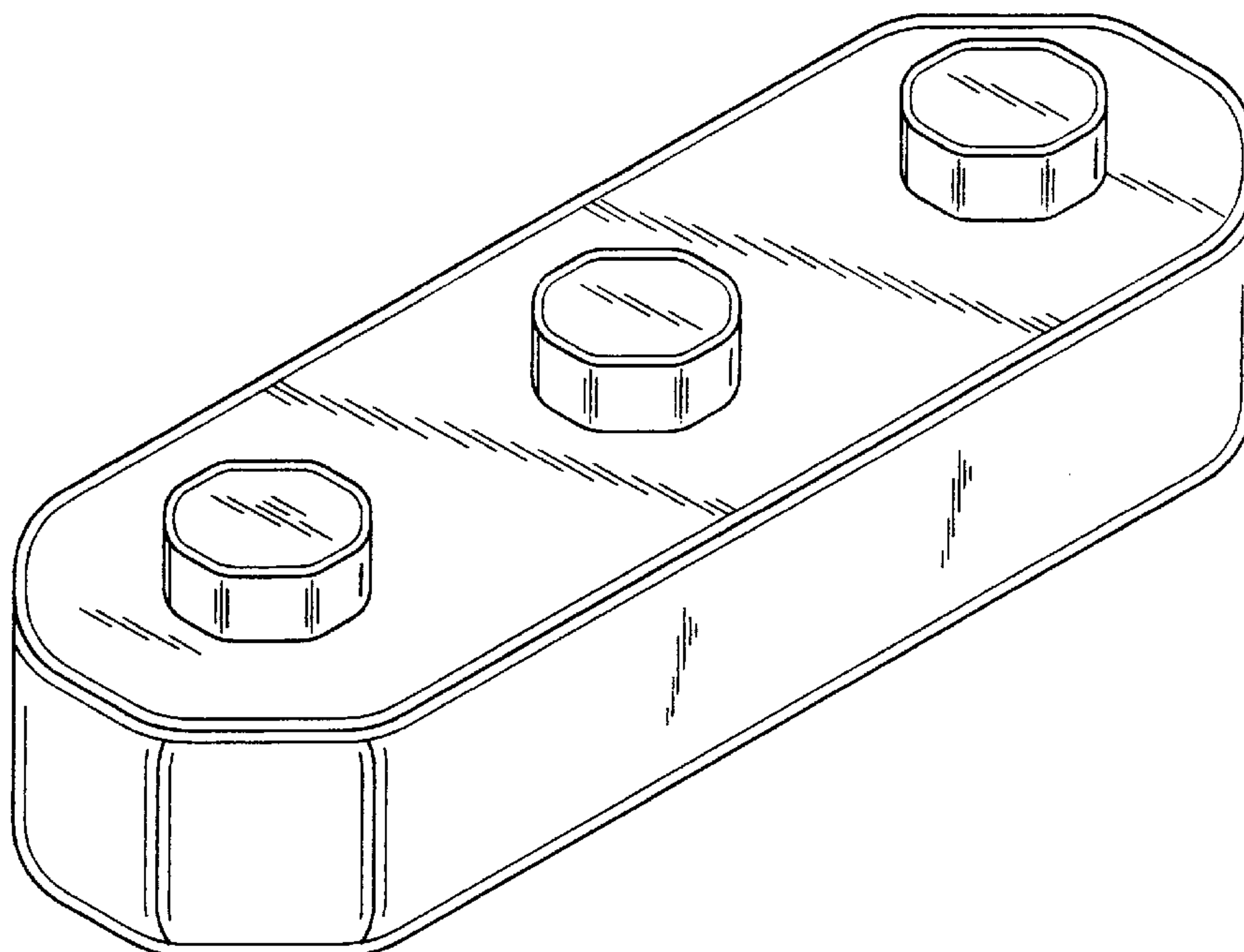


FIG. 1

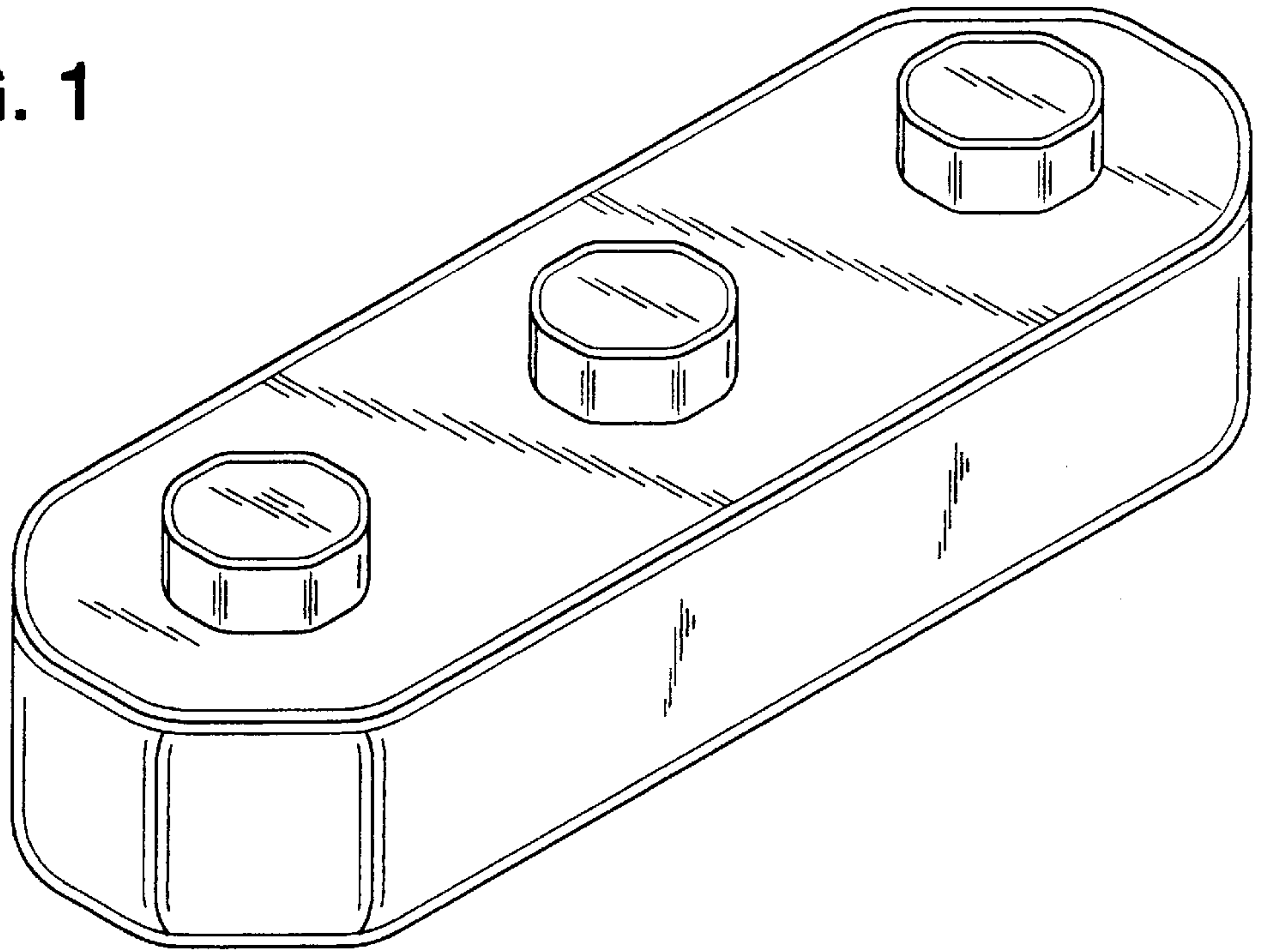
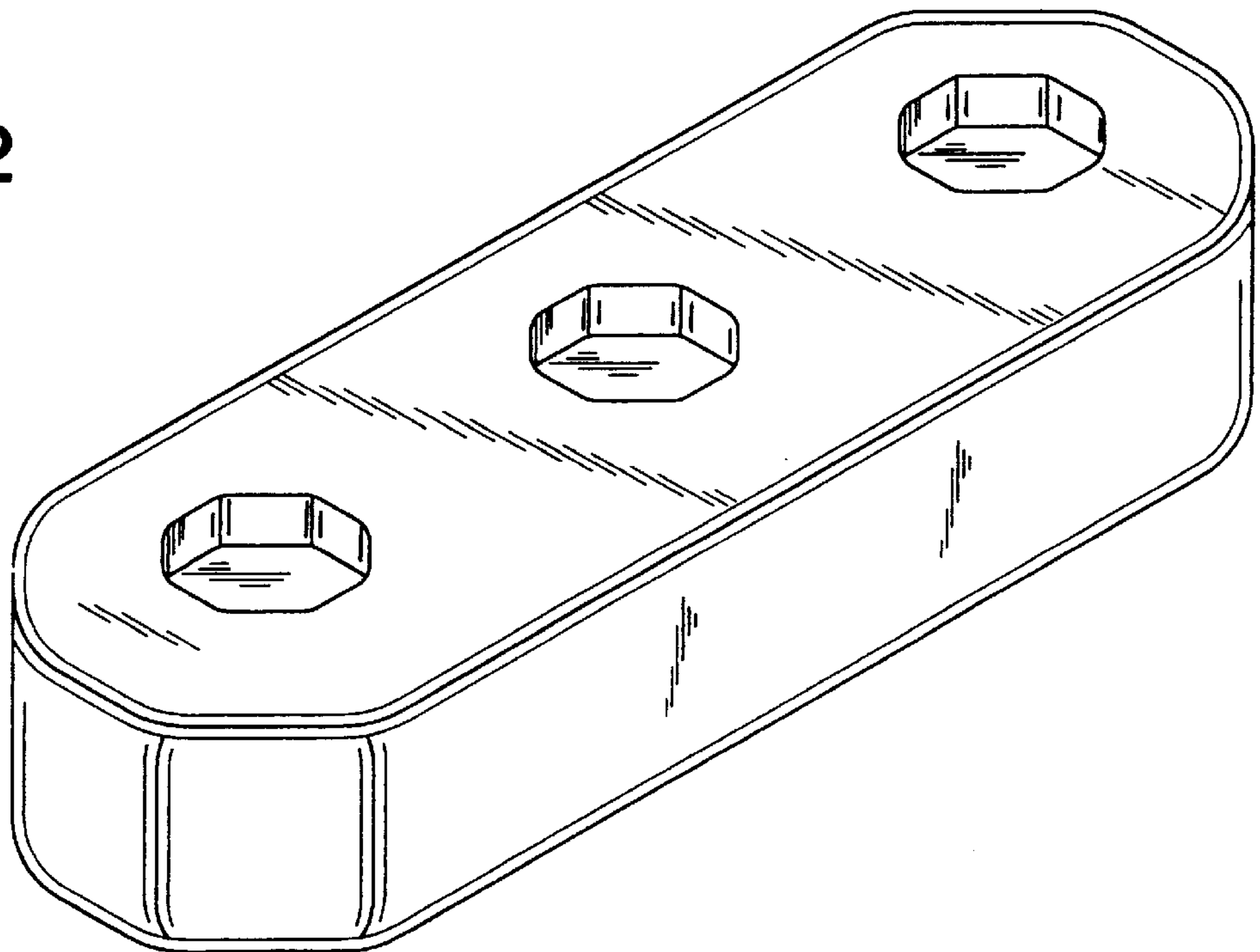
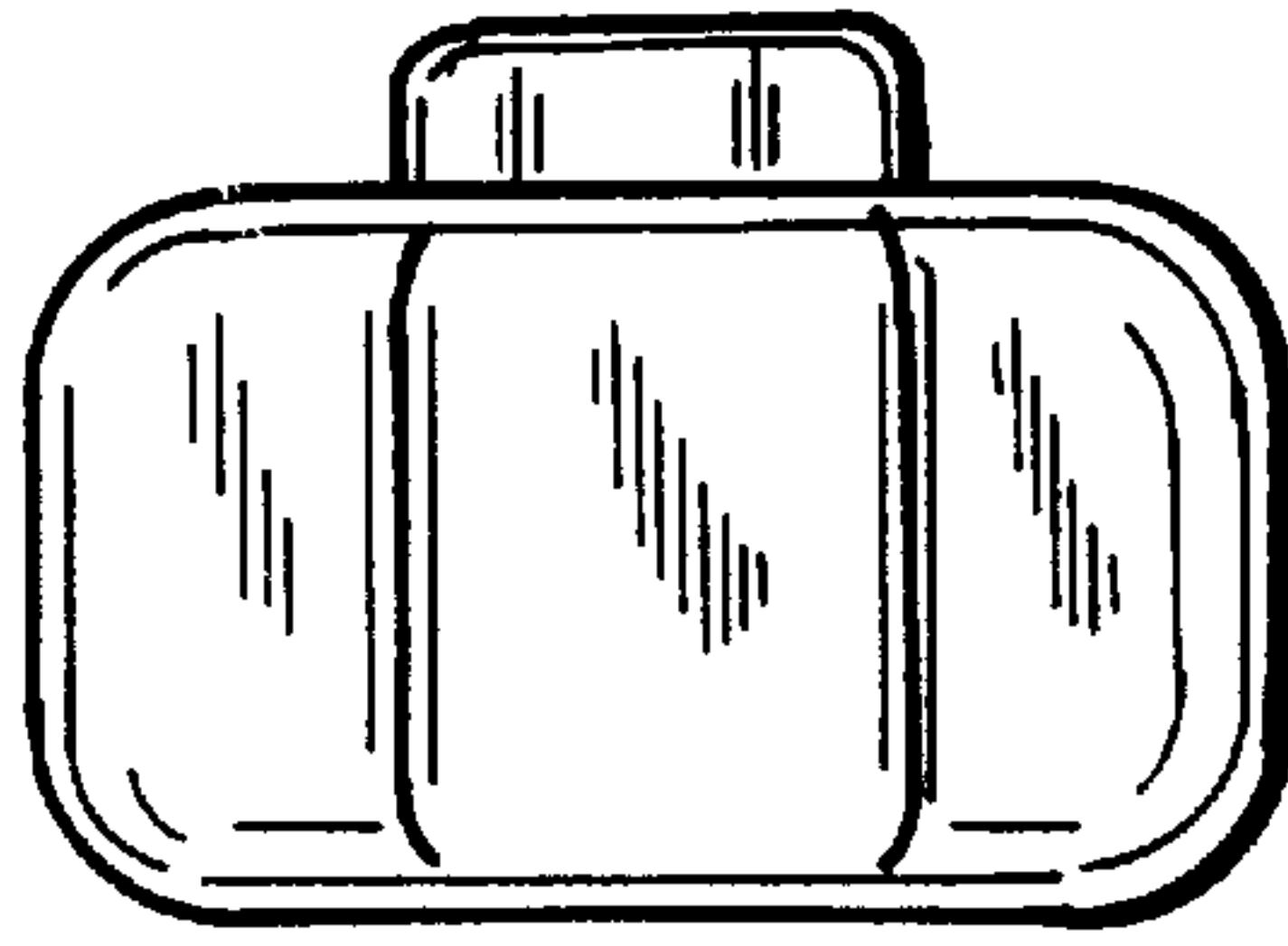


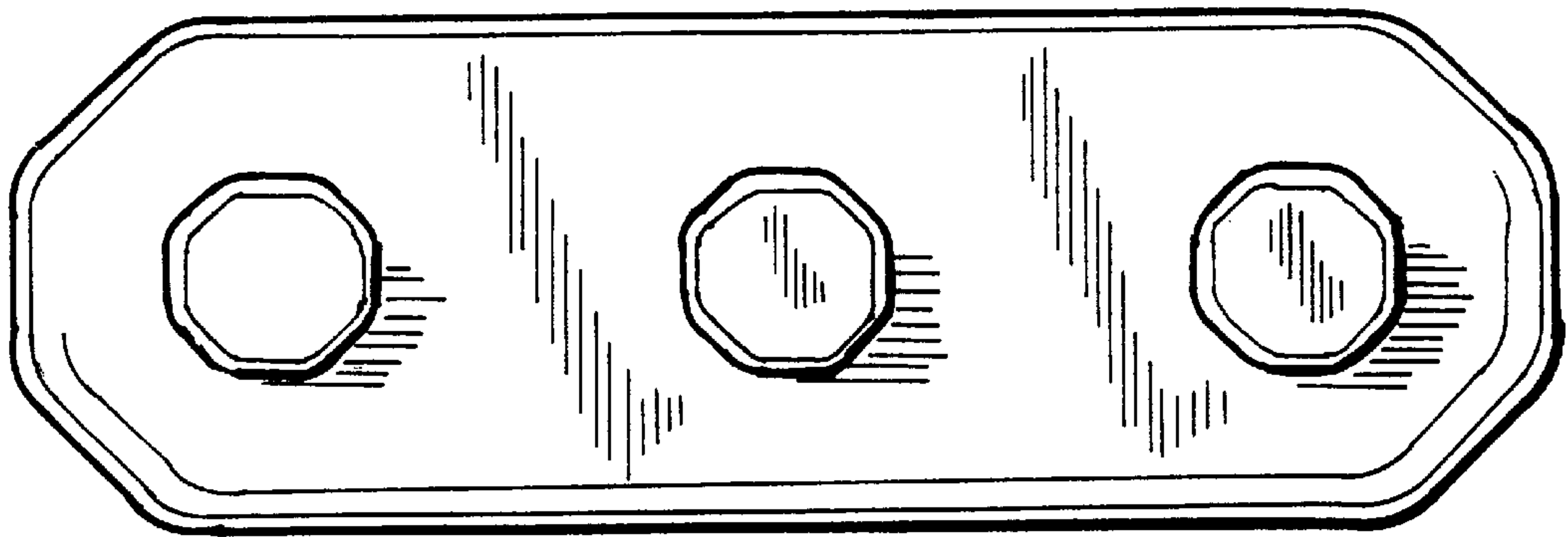
FIG. 2



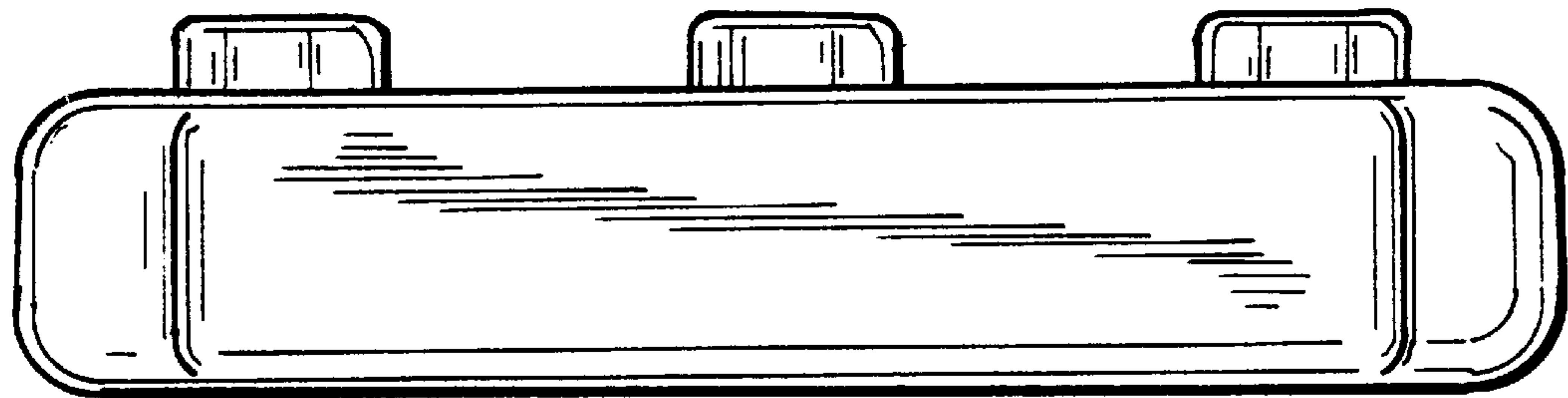
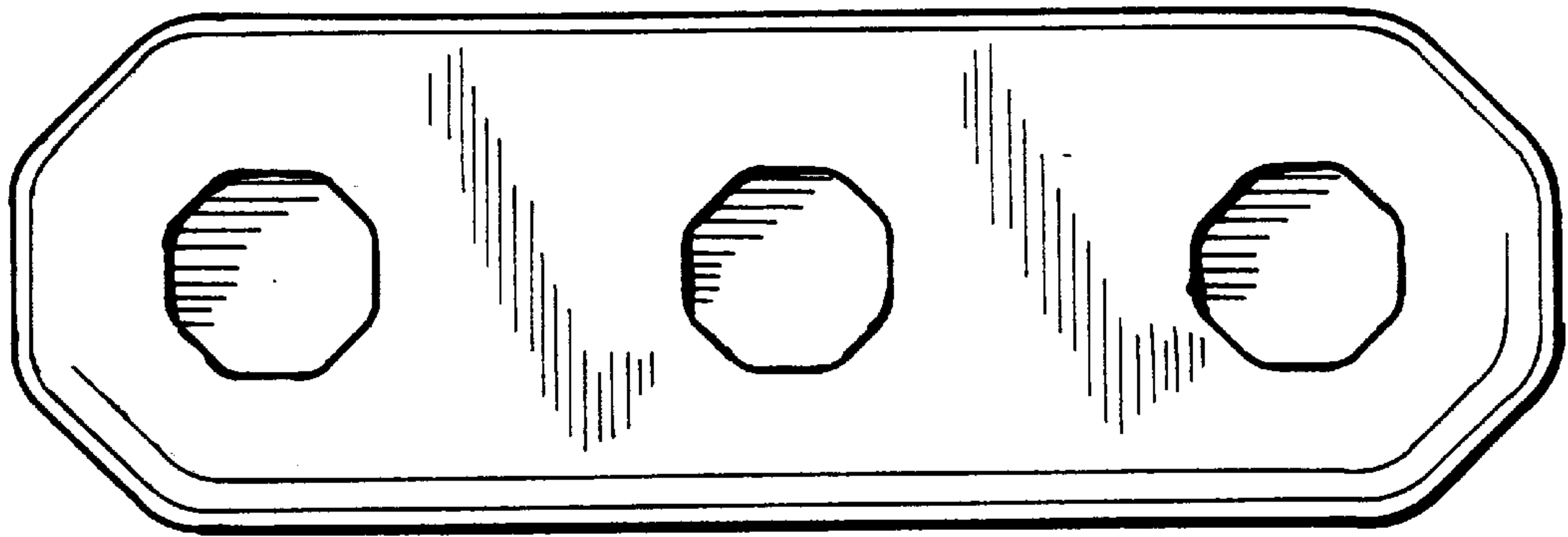
**FIG. 6**



**FIG. 3**



**FIG. 4**



**FIG. 5**