



US00D426587S

United States Patent [19]
Phillips

[11] **Patent Number: Des. 426,587**

[45] **Date of Patent: ** Jun. 13, 2000**

[54] **TOY BLOCK**

[76] Inventor: **Allan Phillips**, 2627 Merrywood Rd.,
Charlotte, N.C. 28210

[**] Term: **14 Years**

[21] Appl. No.: **29/101,840**

[22] Filed: **Mar. 11, 1999**

[51] **LOC (7) Cl.** **21-01**

[52] **U.S. Cl.** **D21/499**

[58] **Field of Search** D21/483, 484,
D21/491, 499, 500, 506, 468, 471; 446/85,
117; D19/59

[56] **References Cited**

U.S. PATENT DOCUMENTS

D. 55,587	6/1920	Bratton	D21/499
D. 161,423	1/1951	Olafin	D21/499
D. 229,770	1/1974	Daenen	D21/499
D. 229,954	1/1974	Daenen	D21/499
D. 362,707	9/1995	Massey	D21/483

Primary Examiner—Raphael Barkai
Attorney, Agent, or Firm—Dougherty & Associates

[57] **CLAIM**

The ornamental design for a toy block, as shown and described.

DESCRIPTION

FIG. 1 is a perspective view of the invented toy block, showing the left side, front, and top of my new design.

FIG. 2 is a perspective view of the toy block of FIG. 1, rotated 90 degrees, and showing the left side, front and bottom thereof.

FIG. 3 is a perspective view of the toy block of FIG. 1 taken from the exact opposite direction as FIG. 1.

FIG. 4 is a front view of the toy block shown in FIG. 1.

FIG. 5 is a right side view of the toy block shown in FIG. 1.

FIG. 6 is a left side view of the toy block shown in FIG. 1.

FIG. 7 is a back view of the toy block shown in FIG. 1.

FIG. 8 is a top view of the toy block shown in FIG. 1; and,

FIG. 9 is a bottom view of the toy block shown in FIG. 1.

1 Claim, 2 Drawing Sheets

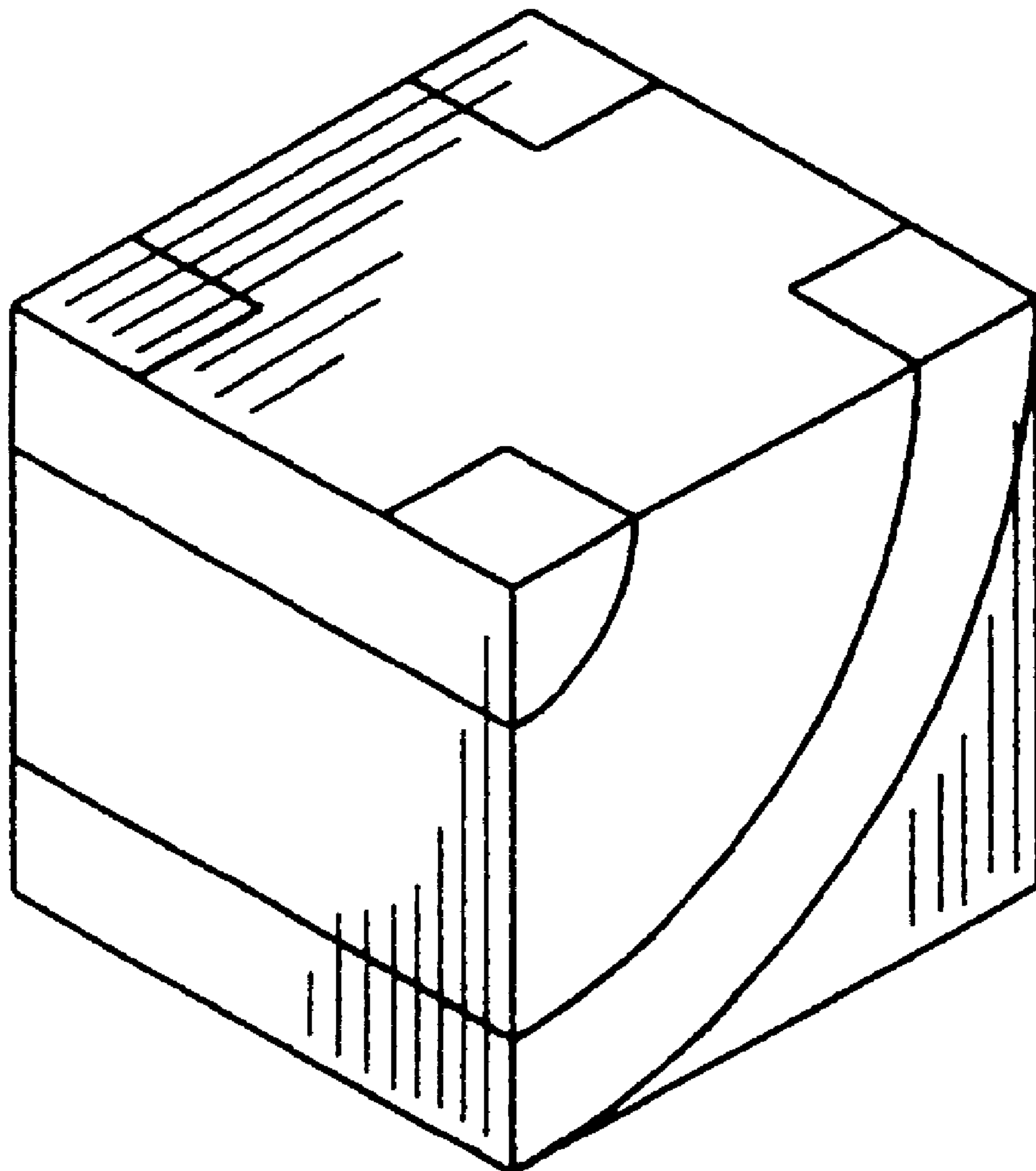


Fig. 1

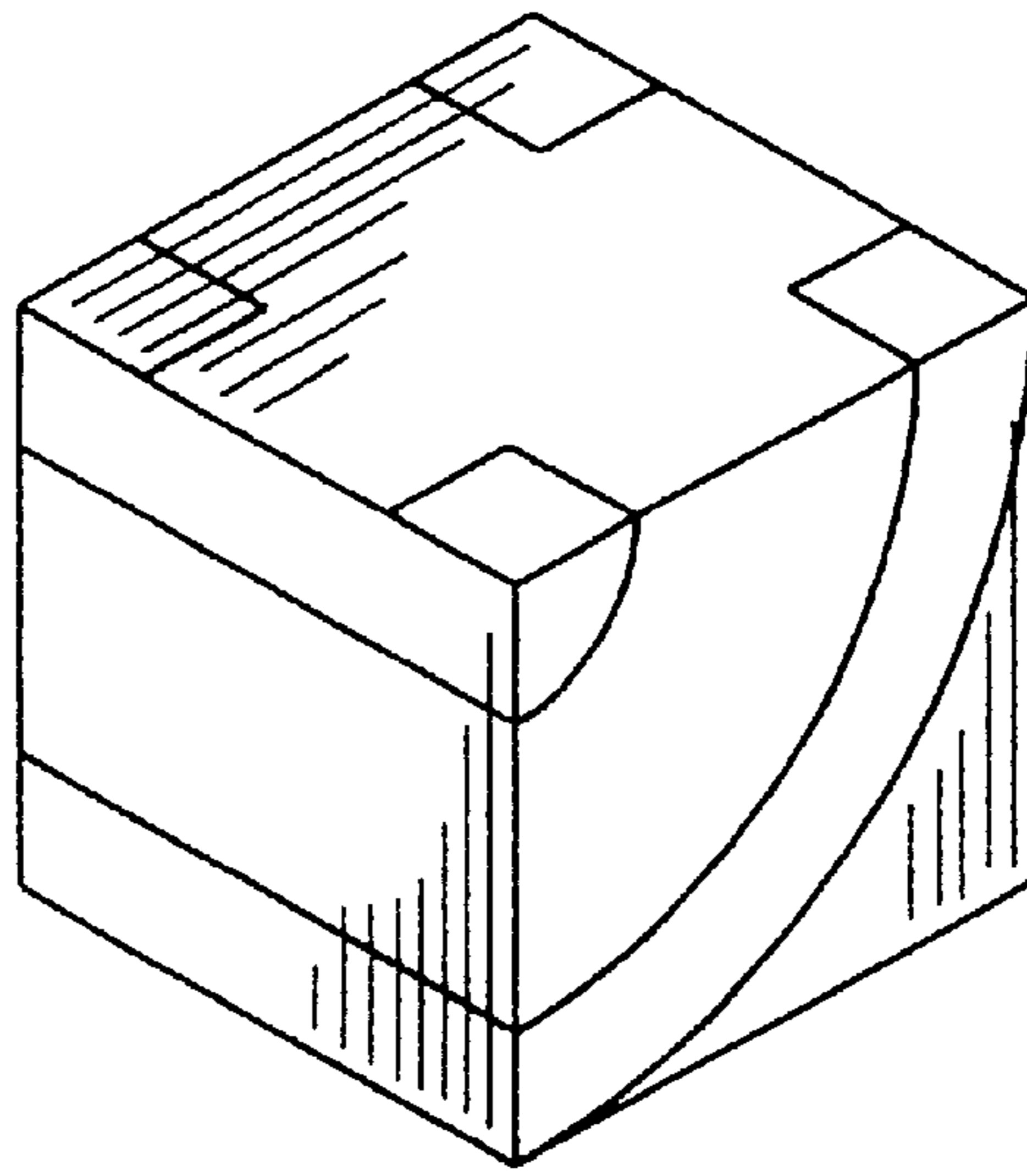


Fig. 2

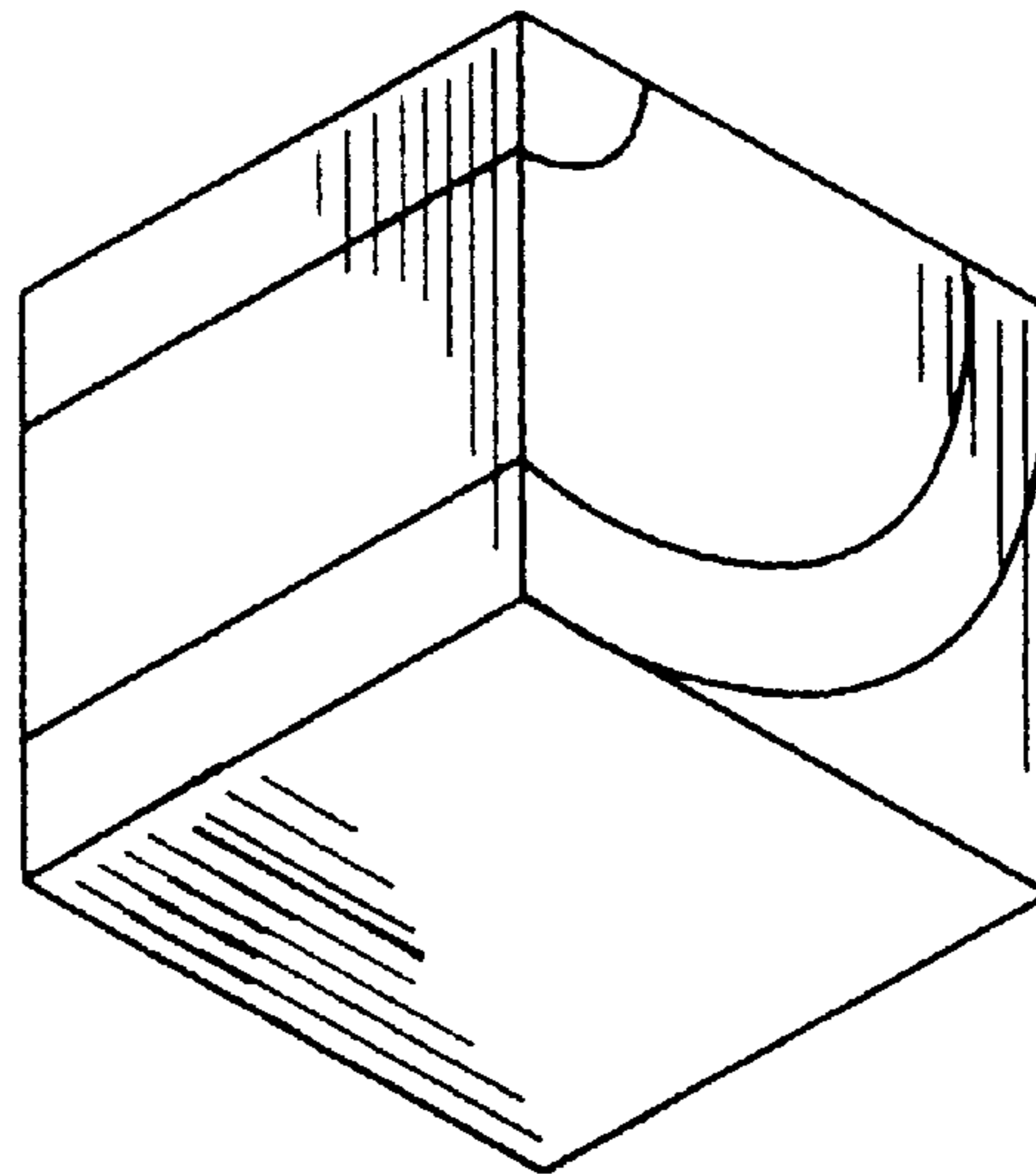
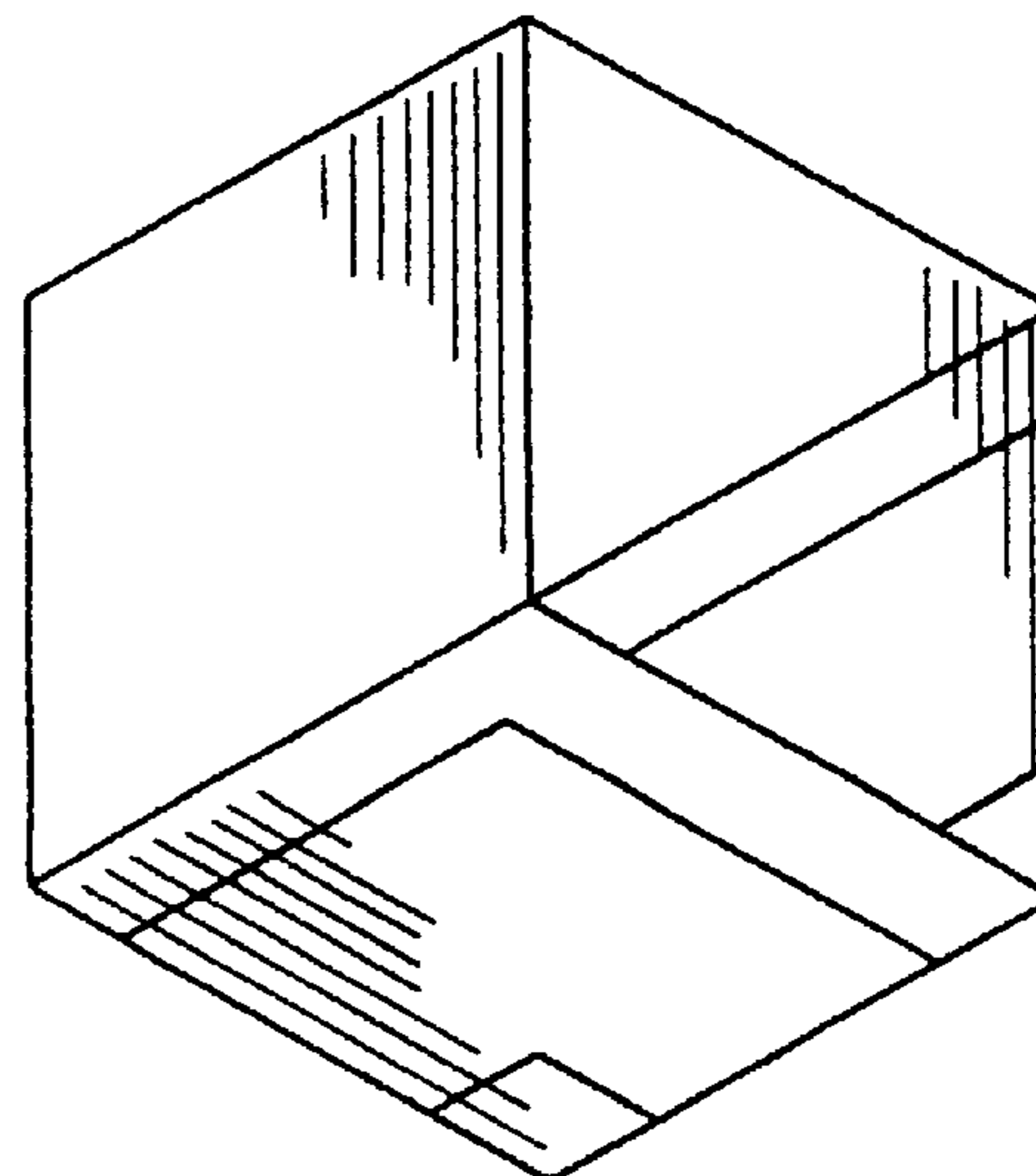


Fig. 3



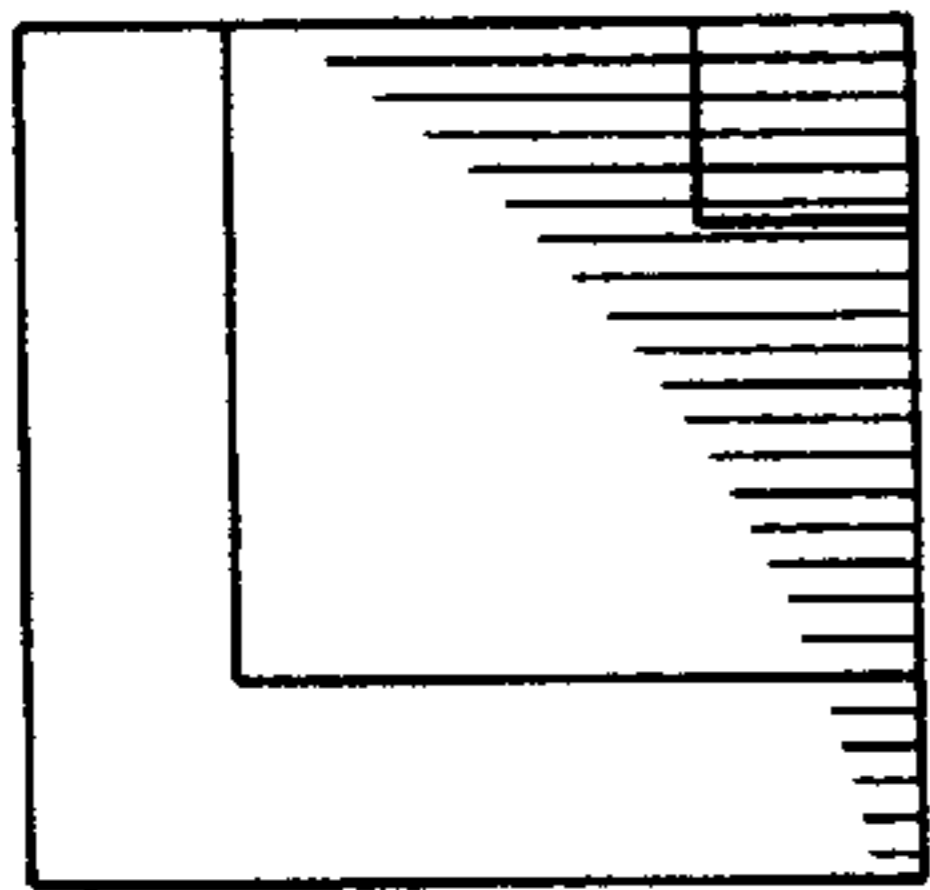


Fig. 7

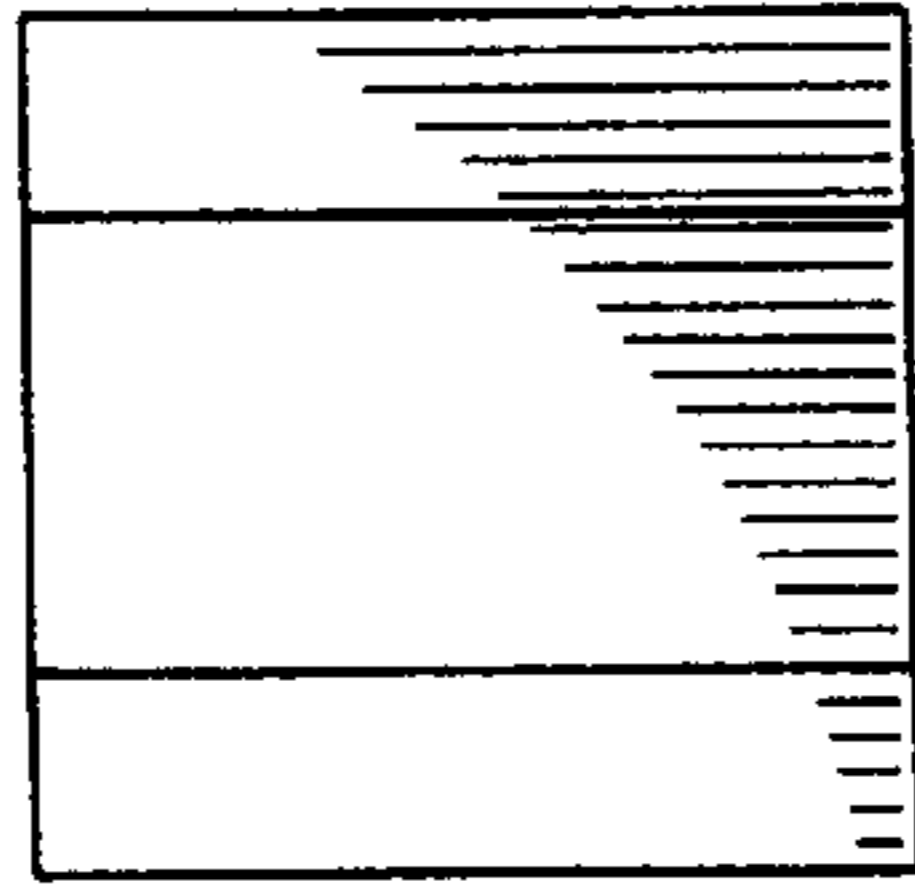


Fig. 6

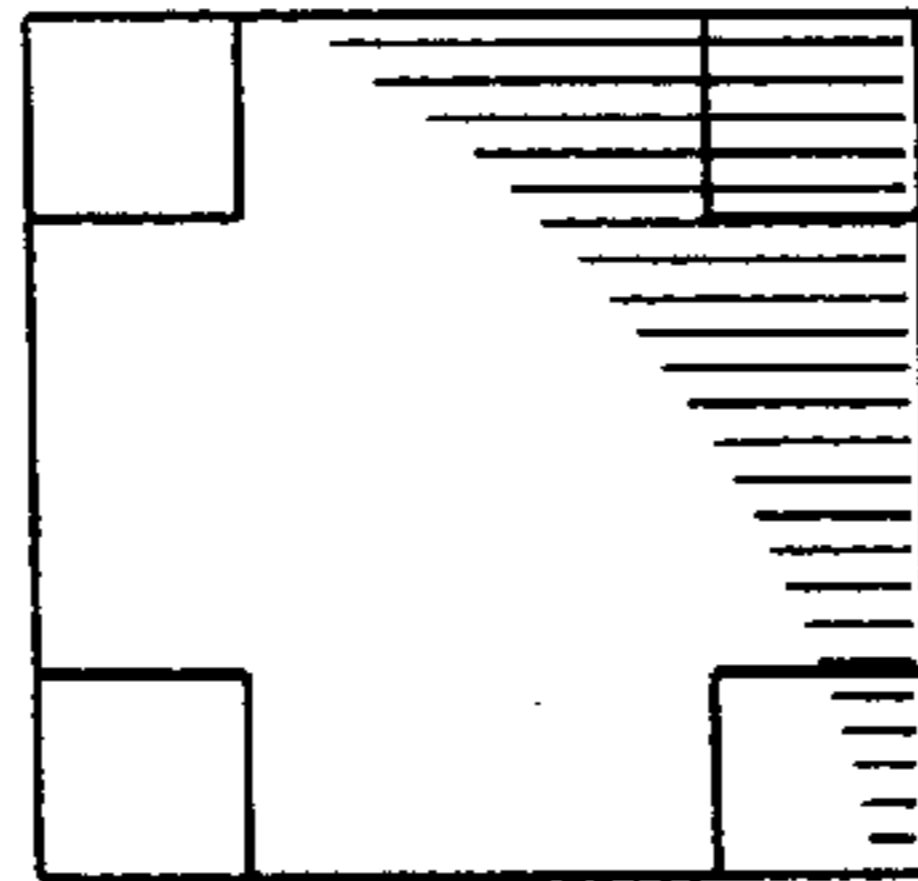


Fig. 8

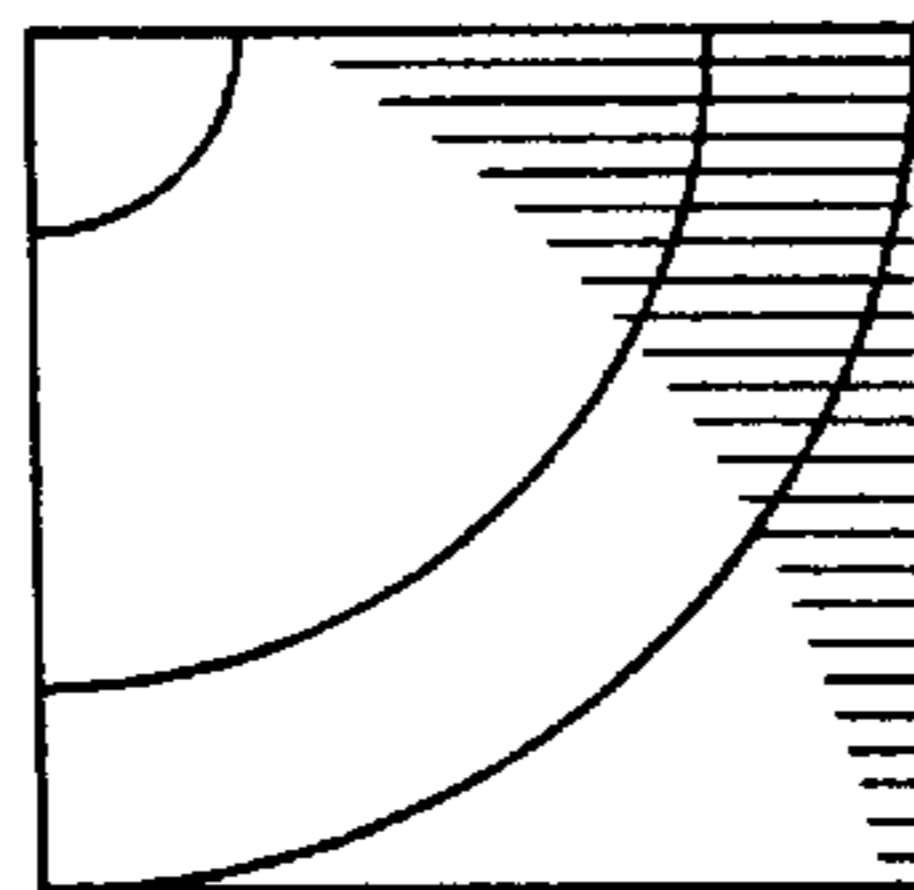


Fig. 4

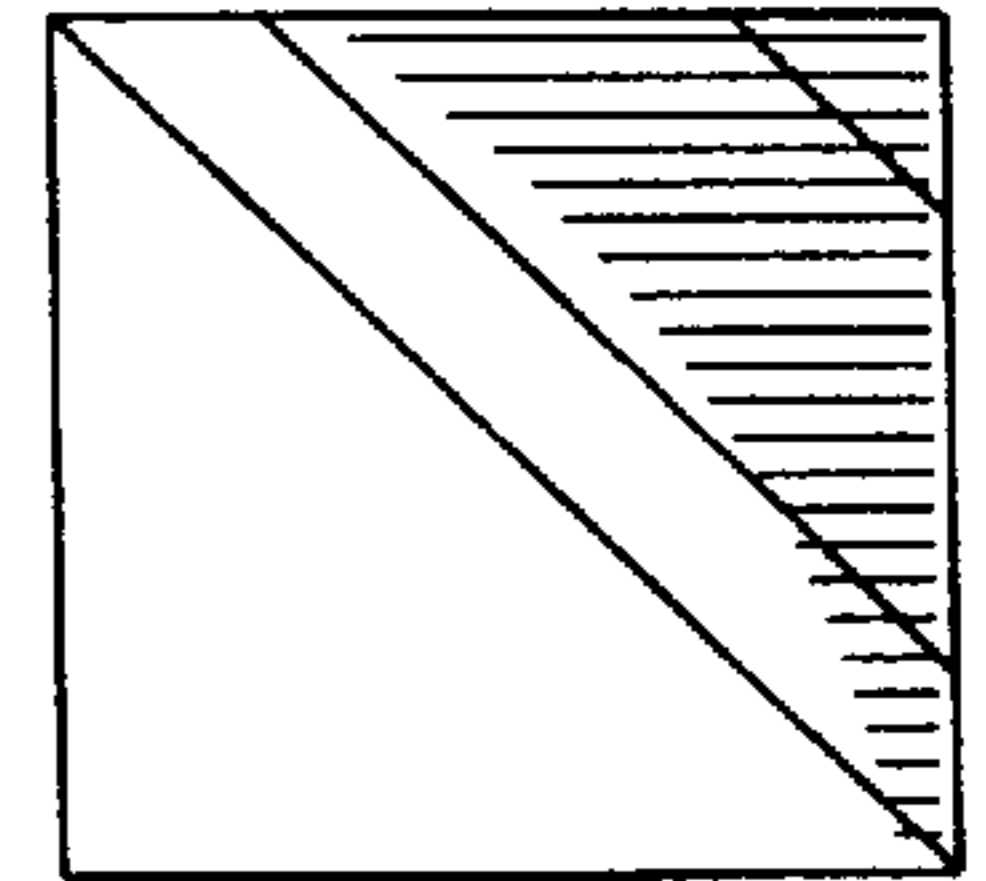


Fig. 5

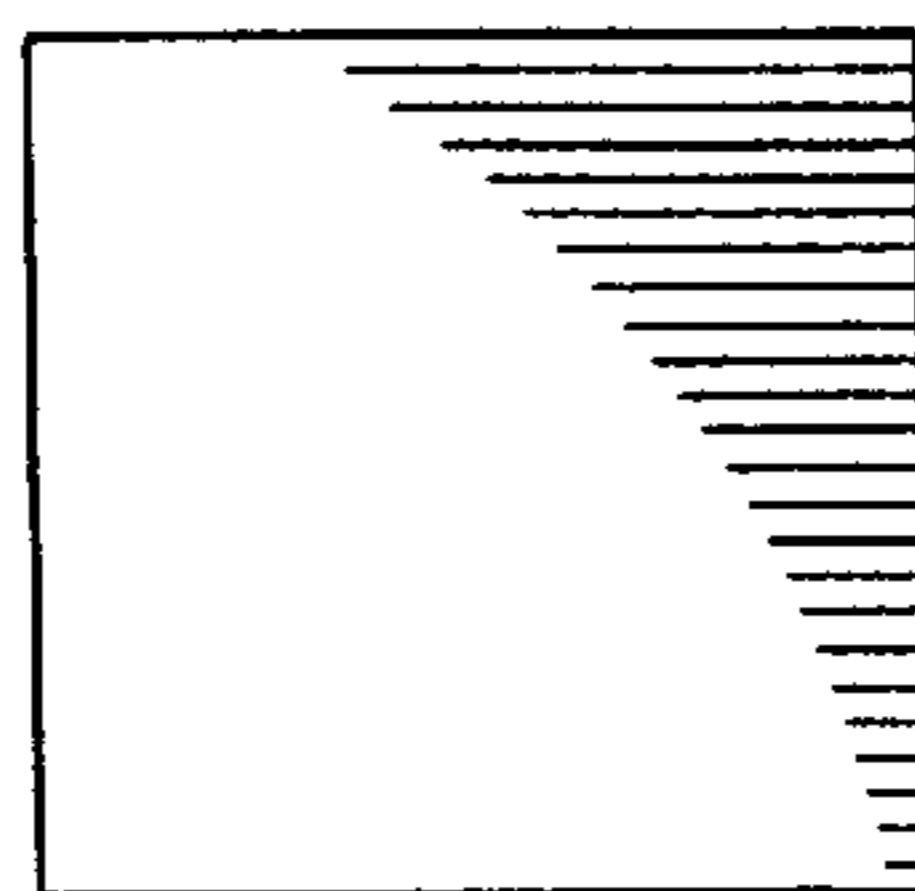


Fig. 9