



US00D426586S

# United States Patent [19] Underbrink

[11] Patent Number: **Des. 426,586**

[45] Date of Patent: **\*\* Jun. 13, 2000**

[54] **TOY BEAUTY CENTER**

**DESCRIPTION**

[75] Inventor: **John Underbrink**, Richardson, Tex.

[73] Assignee: **Spang & Company**, Butler, Pa.

[\*\*] Term: **14 Years**

[21] Appl. No.: **29/100,129**

[22] Filed: **Feb. 5, 1999**

[51] **LOC (7) Cl.** ..... **21-01**

[52] **U.S. Cl.** ..... **D21/483**

[58] **Field of Search** ..... D21/483; D28/61,  
D28/73, 56; 446/75, 472, 475; D3/279,  
274; 132/73.5, 75

[56] **References Cited**

**U.S. PATENT DOCUMENTS**

D. 346,043	4/1994	Galati, Jr. et al. ....	D28/61
D. 347,729	6/1994	Bible et al. ....	D3/274
D. 348,482	7/1994	Cherry ....	D28/61
D. 373,445	9/1996	Wright-Godley ....	D28/61
D. 383,905	9/1997	Stokes et al. ....	D3/279
D. 408,470	4/1999	Rosen ....	D21/483
5,088,509	2/1992	Savage, III ....	132/73.5
5,941,252	8/1999	Jenkins et al. ....	132/75

*Primary Examiner*—Raphael Barkai  
*Attorney, Agent, or Firm*—Kirkpatrick & Lockhart LLP

[57] **CLAIM**

The ornamental design for the toy beauty center, as shown and described.

FIG. 1 is a perspective view of the toy beauty center of the present invention showing the lid thereof in an open position, the handle thereof in a retracted position, and the legs thereof in an extended position;

FIG. 2 is a front elevational view of the invention illustrated in FIG. 1;

FIG. 3 is a rear elevational view of the invention illustrated in FIG. 1;

FIG. 4 is a top view of the invention illustrated in FIG. 1;

FIG. 5 is a bottom view of the invention illustrated in FIG. 1;

FIG. 6 is a left side elevational view of the invention illustrated in FIG. 1;

FIG. 7 is a right side elevational view of the invention illustrated in FIG. 1;

FIG. 8 is a perspective view of the toy beauty center of the present invention showing the lid thereof in a closed position, the handle thereof in an extended position, and the legs thereof in a retracted position;

FIG. 9 is a front elevational view of the invention illustrated in FIG. 8;

FIG. 10 is a rear elevational view of the invention illustrated in FIG. 8;

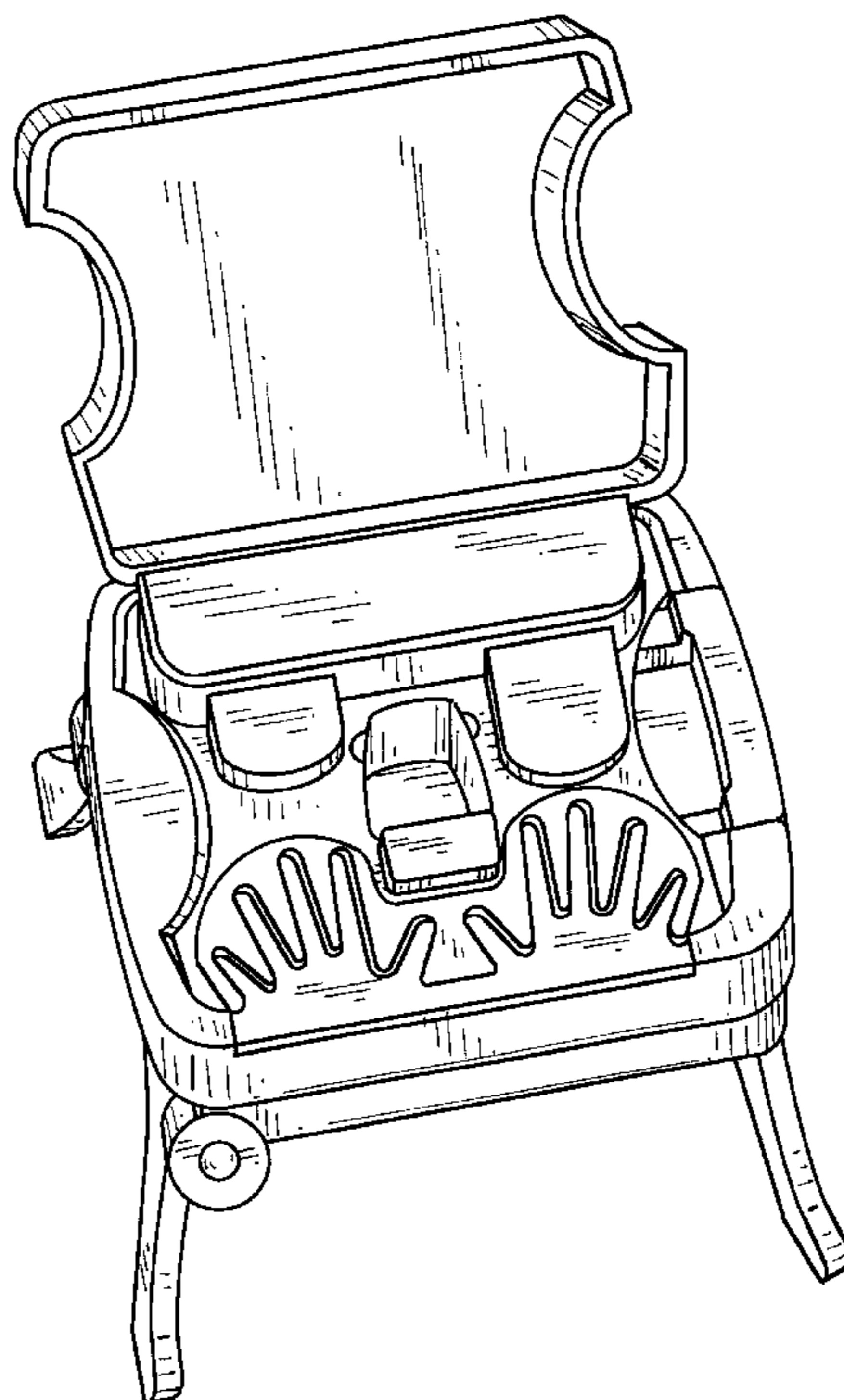
FIG. 11 is a left side elevational view of the invention illustrated in FIG. 8;

FIG. 12 is a right side elevational view of the invention illustrated in FIG. 8;

FIG. 13 is a bottom view of the invention illustrated in FIG. 8; and,

FIG. 14 is a top view of the invention illustrated in FIG. 8.

**1 Claim, 11 Drawing Sheets**



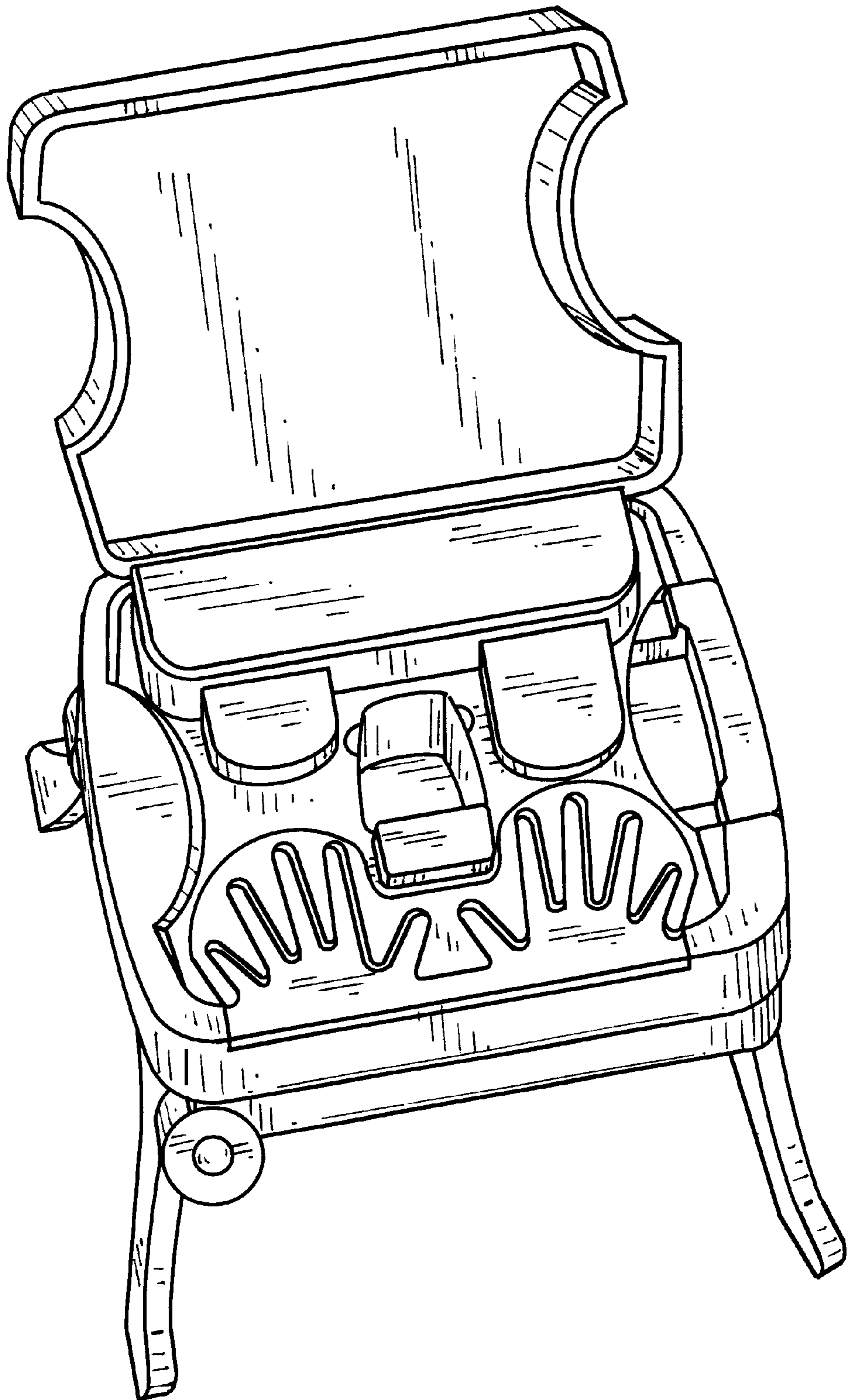


FIG. 1

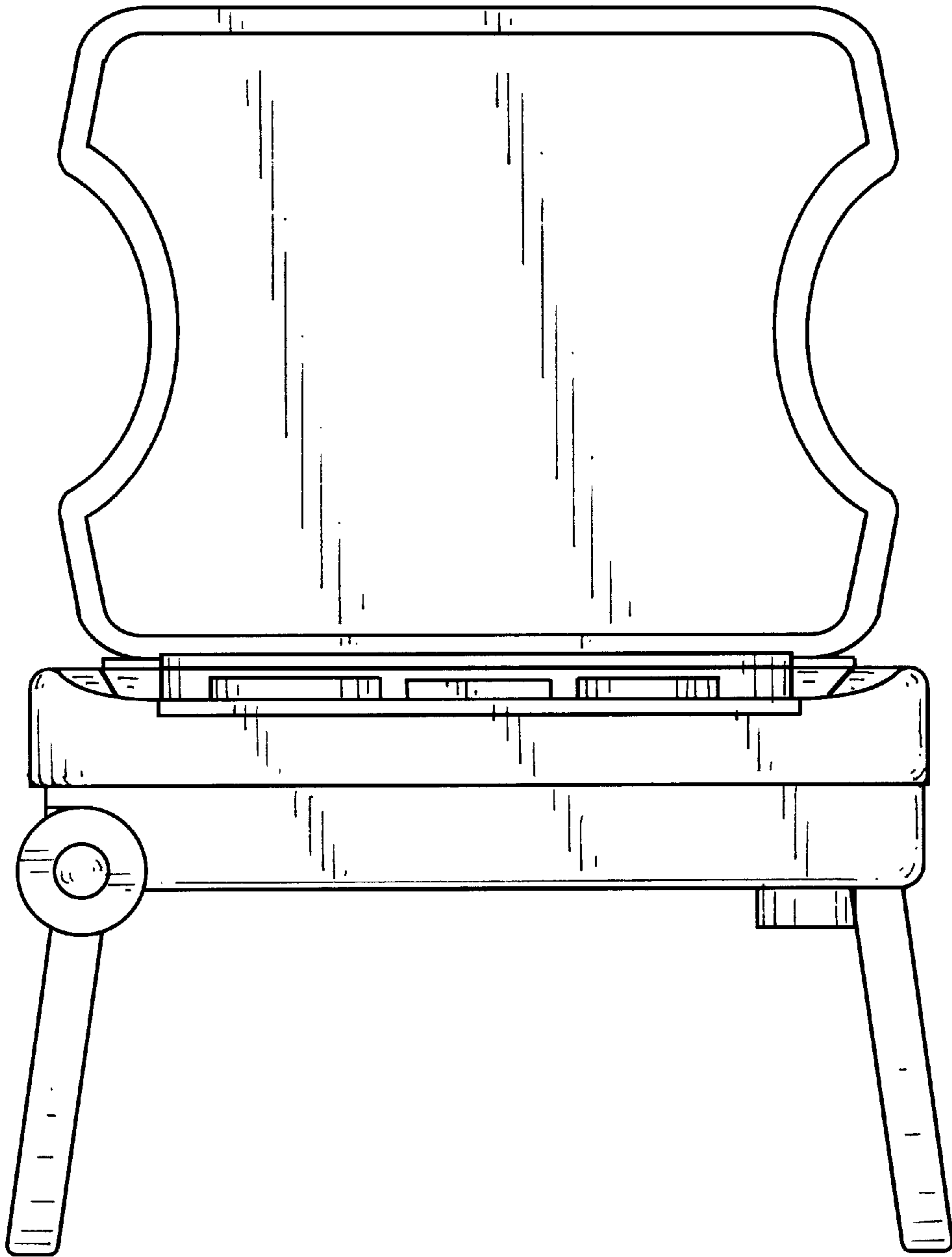


FIG. 2

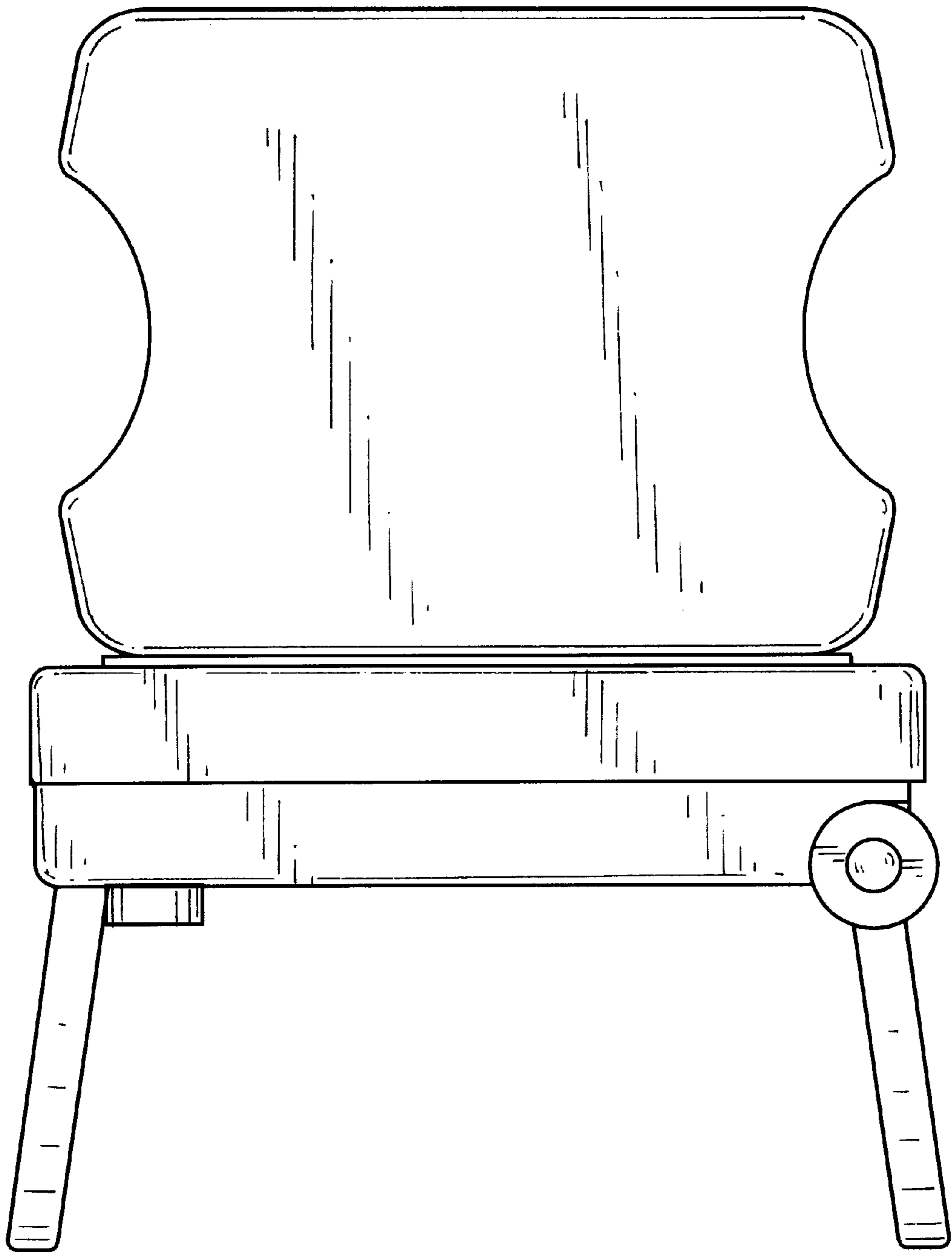


FIG. 3

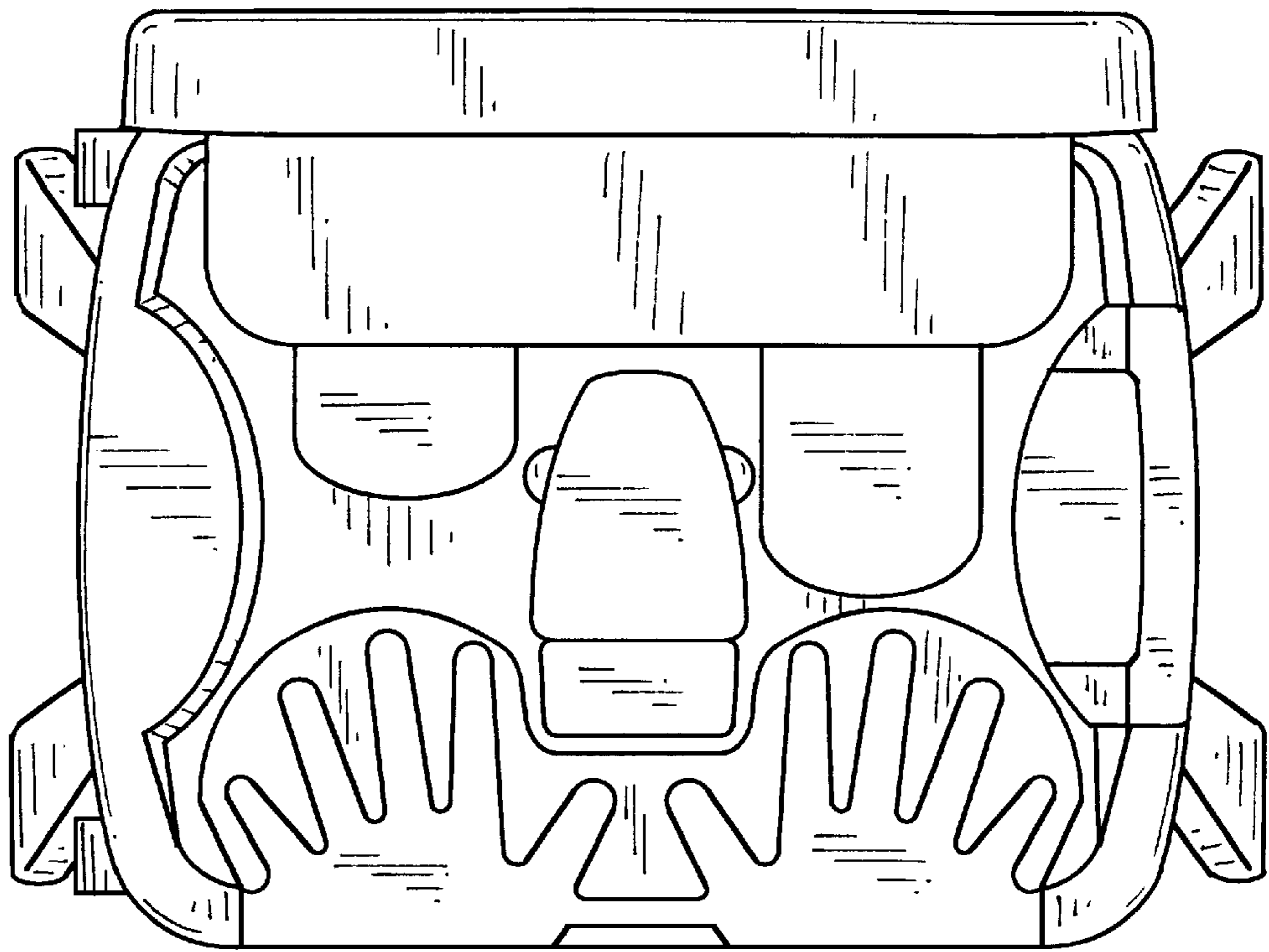


FIG. 4

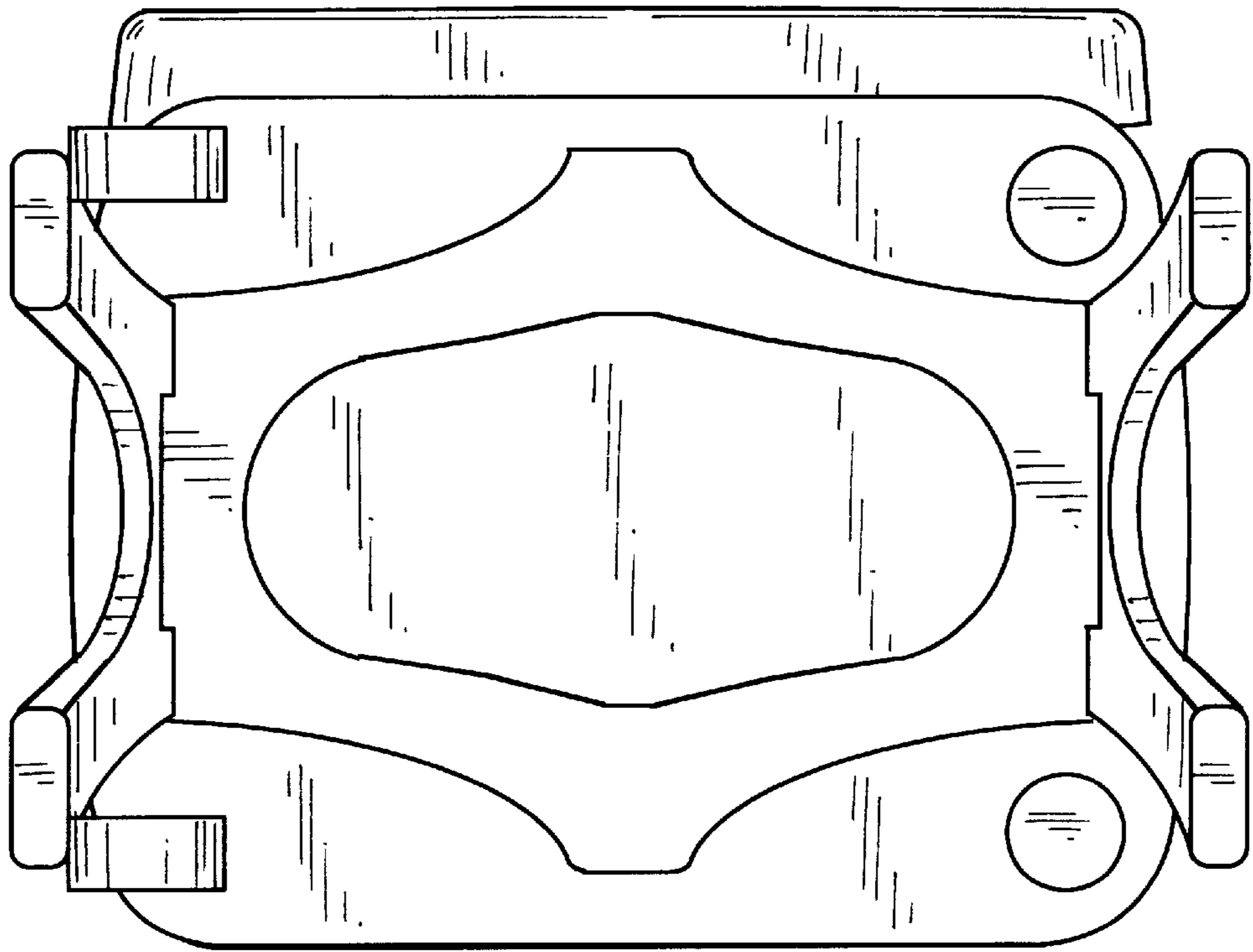


FIG. 5

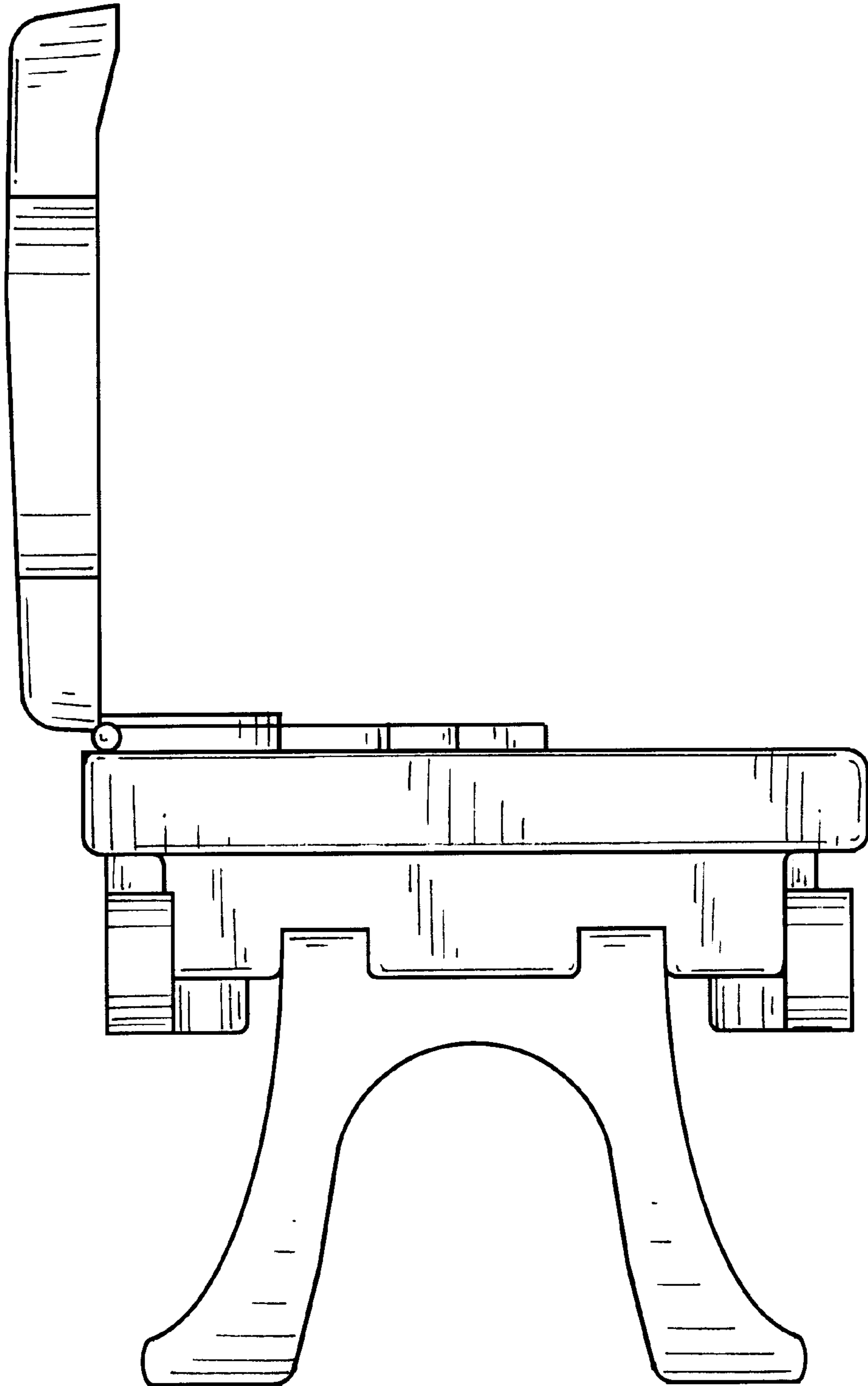


FIG. 6

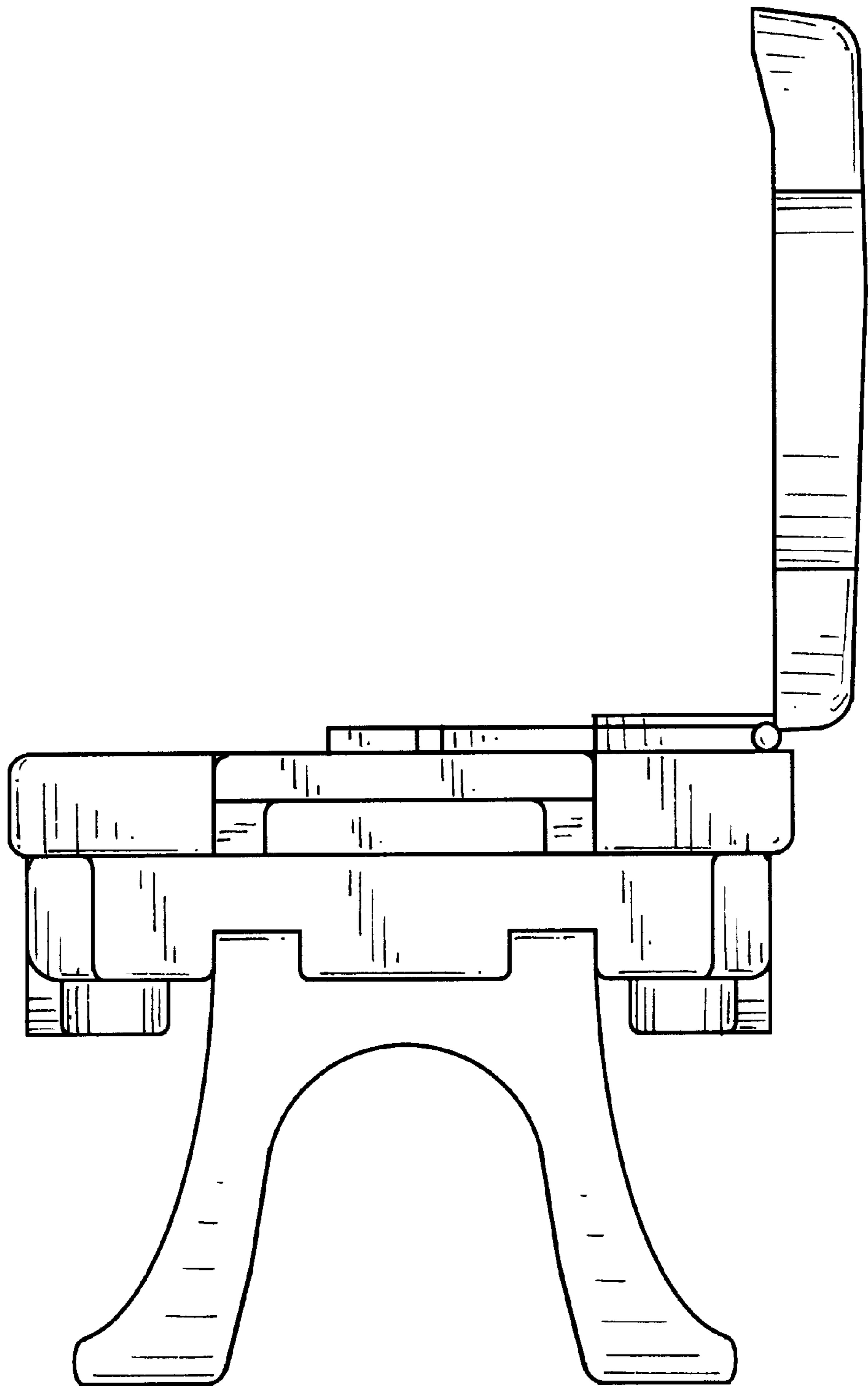


FIG. 7

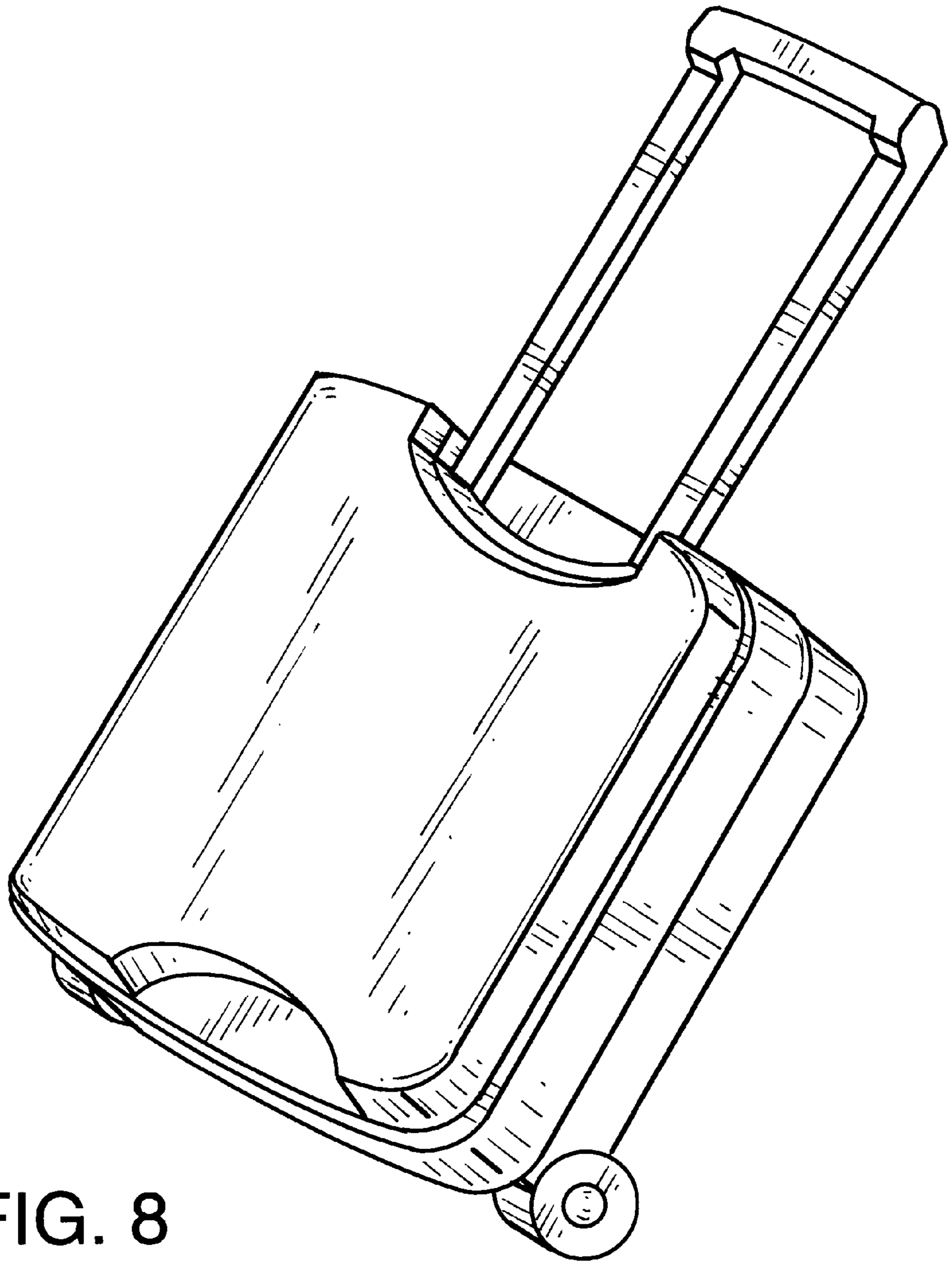


FIG. 8



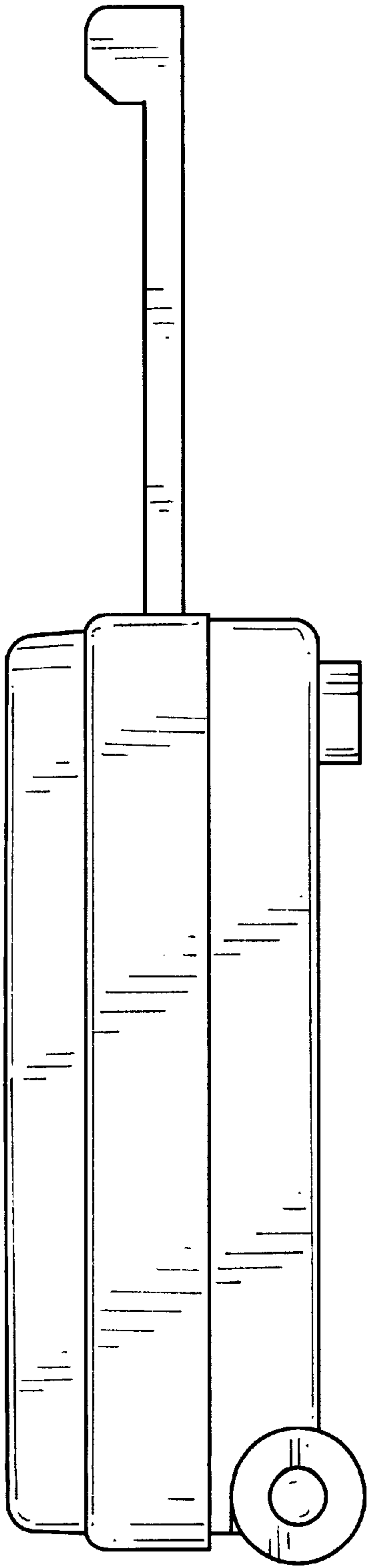


FIG. 9

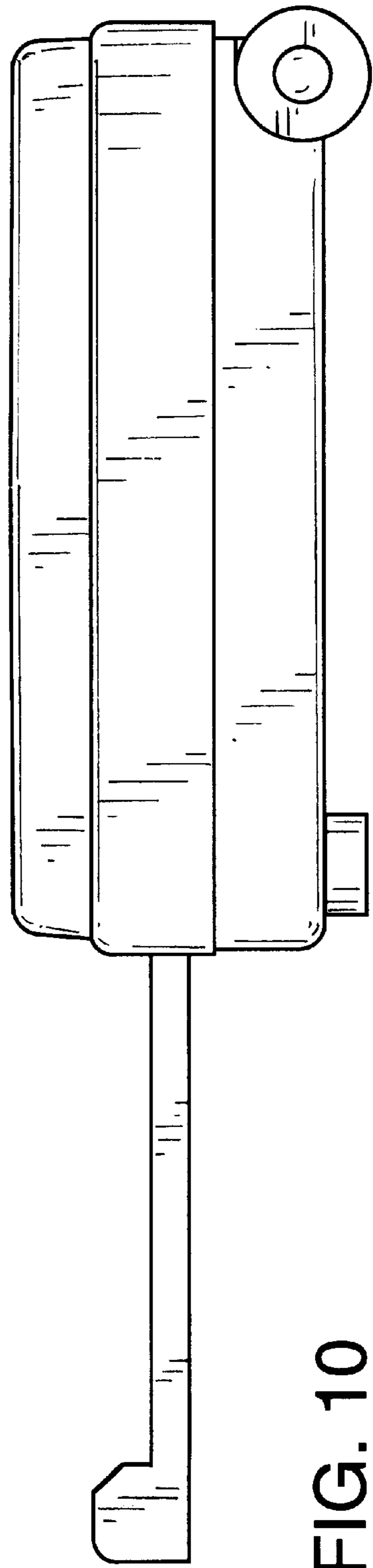


FIG. 10

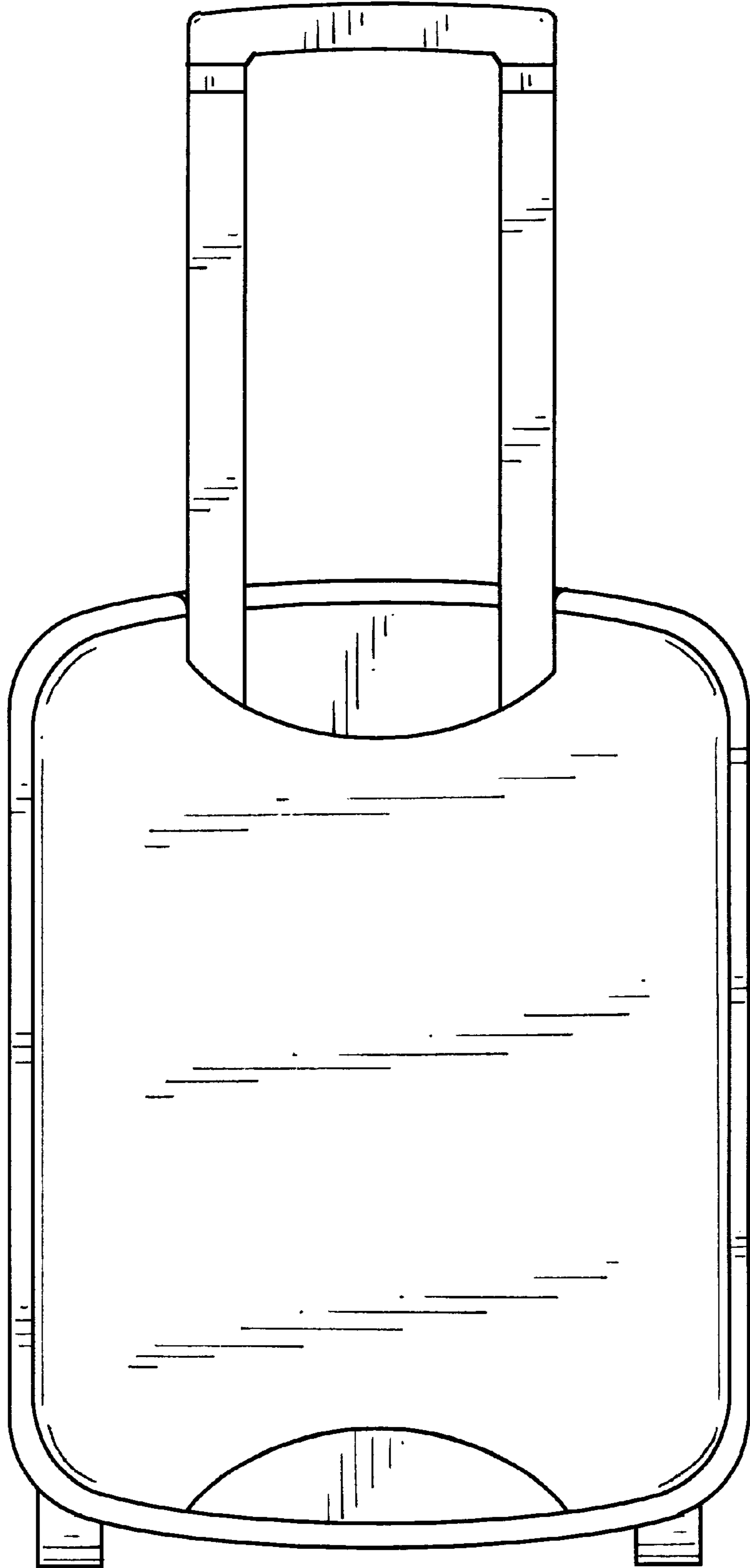


FIG. 11

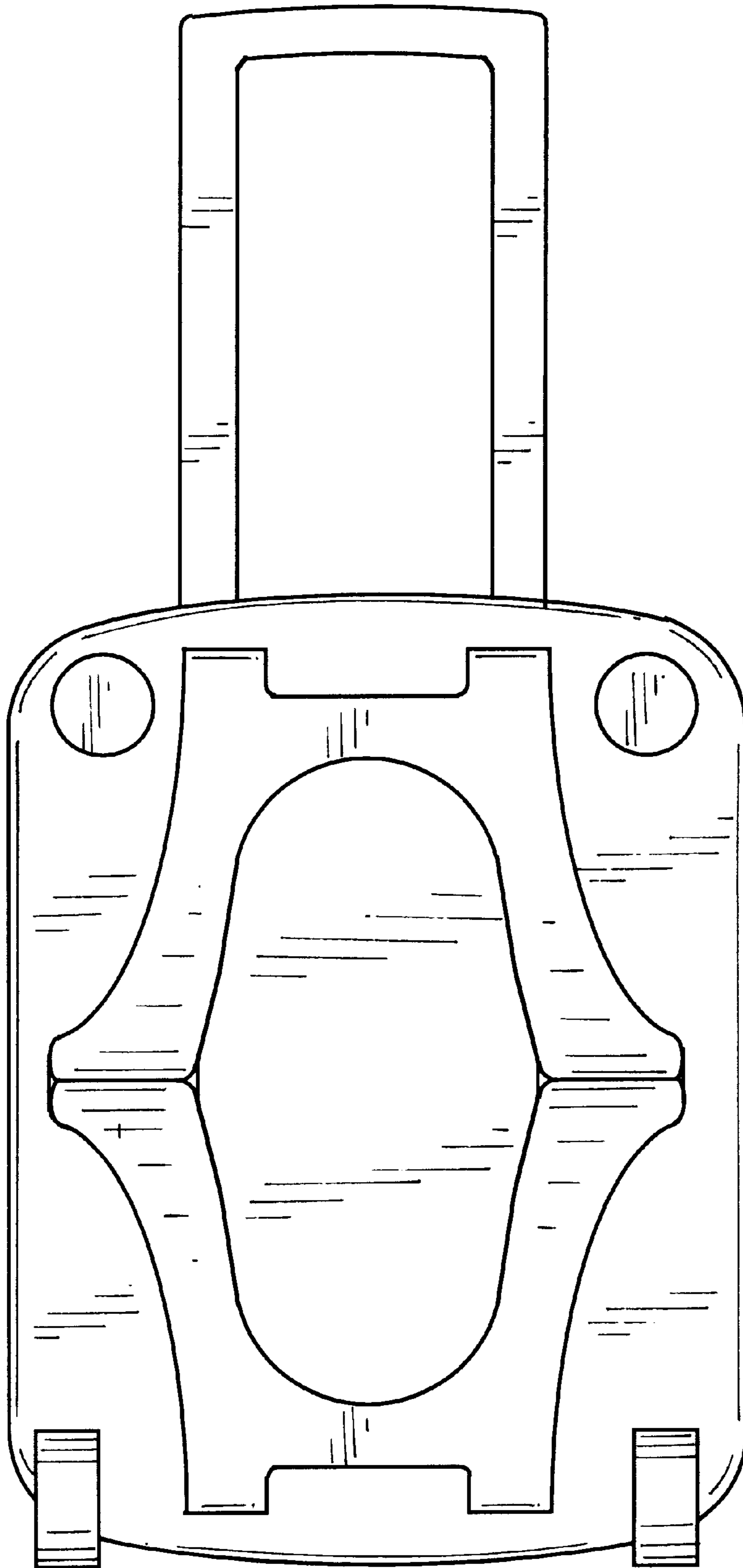


FIG. 12

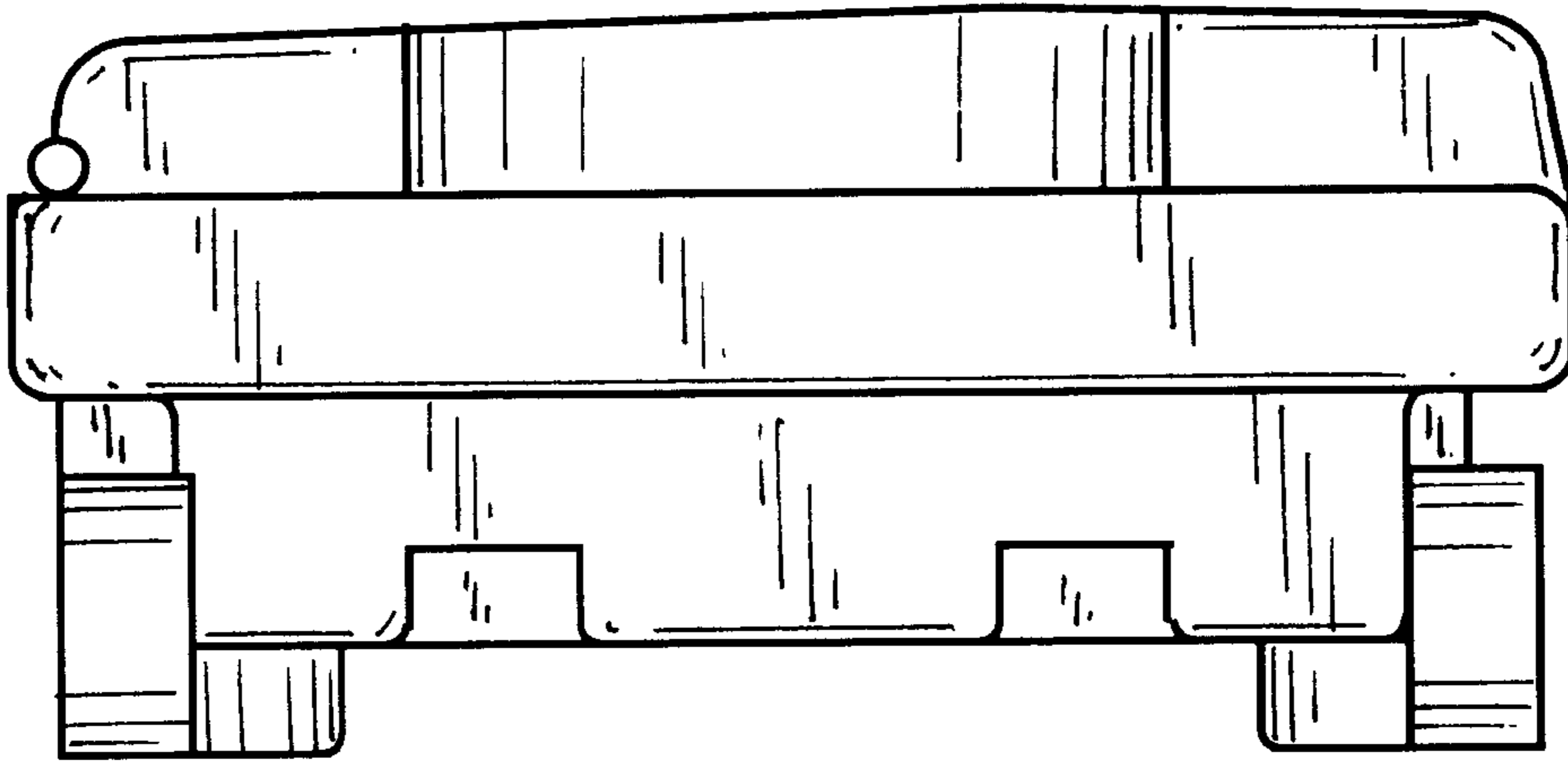


FIG. 13

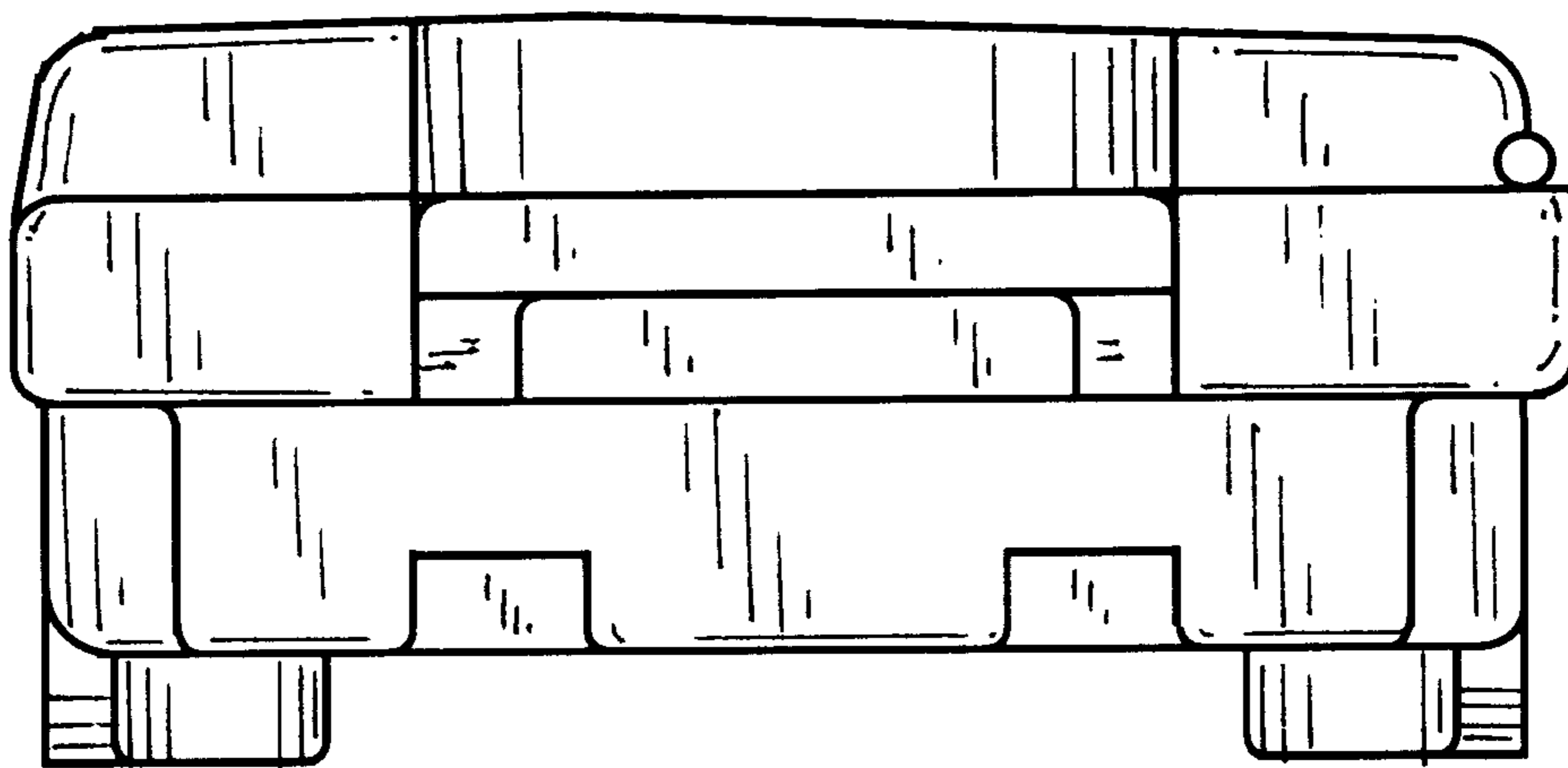


FIG. 14