



US00D426583S

United States Patent [19]
Garfinkle

[11] **Patent Number: Des. 426,583**

[45] **Date of Patent: ** Jun. 13, 2000**

[54] **SIGN ATTACHMENT**

5,775,018 7/1998 Steinborn 40/651
5,921,011 7/1999 Hawver 40/661.08 X

[76] Inventor: **Benjamin L. Garfinkle**, 1120 Portar Ave., Piedmont, Calif. 94610

Primary Examiner—Susan J. Lucas
Assistant Examiner—Jennifer Rivard
Attorney, Agent, or Firm—Malcolm B. Wittenberg

[**] Term: **14 Years**

[21] Appl. No.: **29/100,661**

[57] **CLAIM**

[22] Filed: **Feb. 13, 1999**

The ornamental design for a sign attachment, as shown and described.

[51] **LOC (7) Cl.** **20-02**

DESCRIPTION

[52] **U.S. Cl.** **D20/40; D20/43**

[58] **Field of Search** D20/10, 11, 22-28, D20/40, 42, 43; 40/584, 642.02, 299.01, 124.01, 666, 661, 661.11, 649, 124.06, 646, 651, 653, 324, 661.08

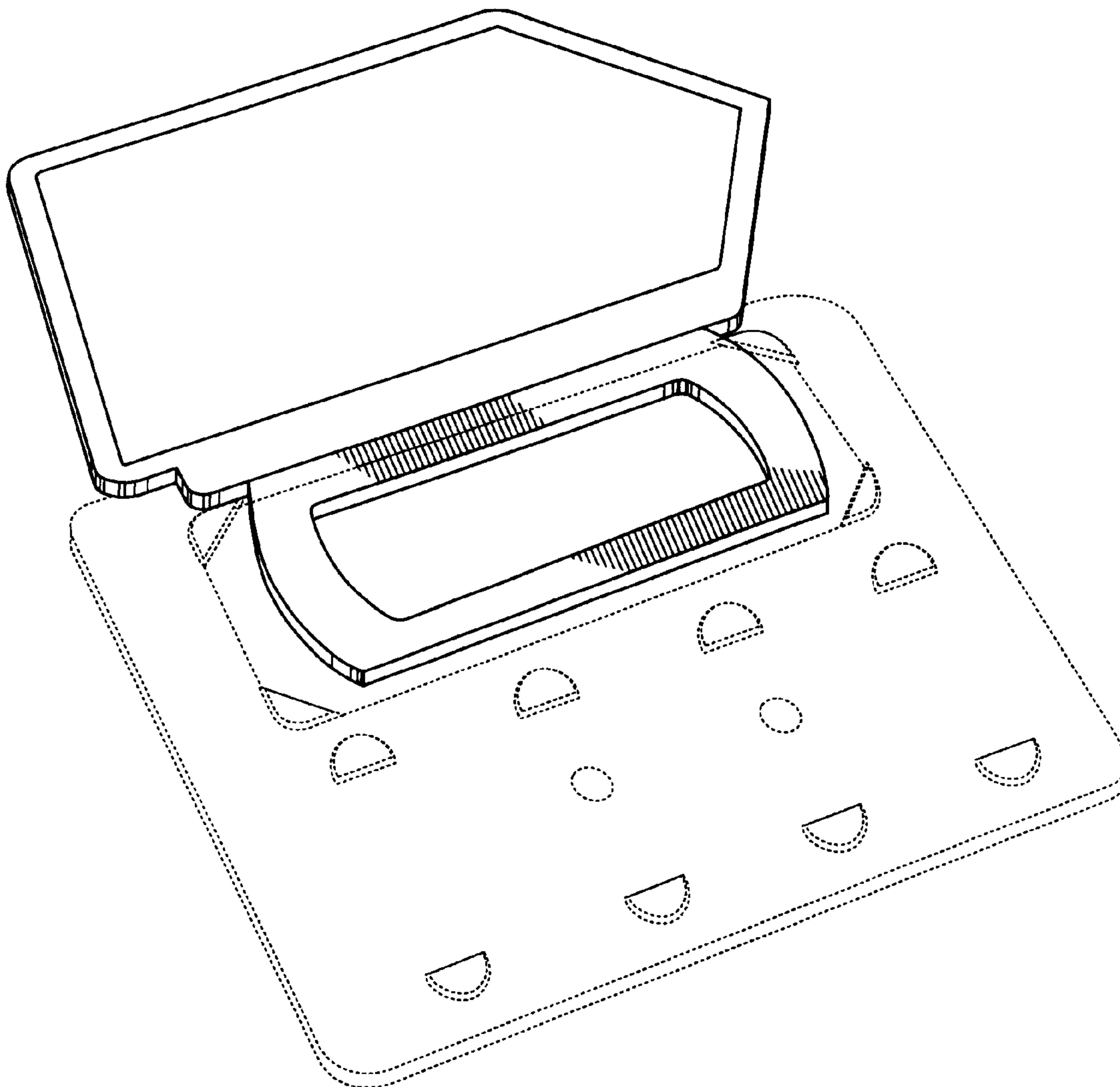
FIG. 1 shows a perspective view;
FIG. 2 shows a front view;
FIG. 3 shows a rear view;
FIG. 4 shows a top view;
FIG. 5 shows a bottom view;
FIG. 6 shows a left side view; and,
FIG. 7 shows a right side view.
The broken lines are shown for illustrative purposes only and form no part of the claimed design.

[56] **References Cited**

U.S. PATENT DOCUMENTS

3,041,760 7/1962 Slavsky D20/11 X
4,209,925 7/1980 Briigmann 40/666
5,581,921 10/1996 Hutchens 40/324

1 Claim, 3 Drawing Sheets



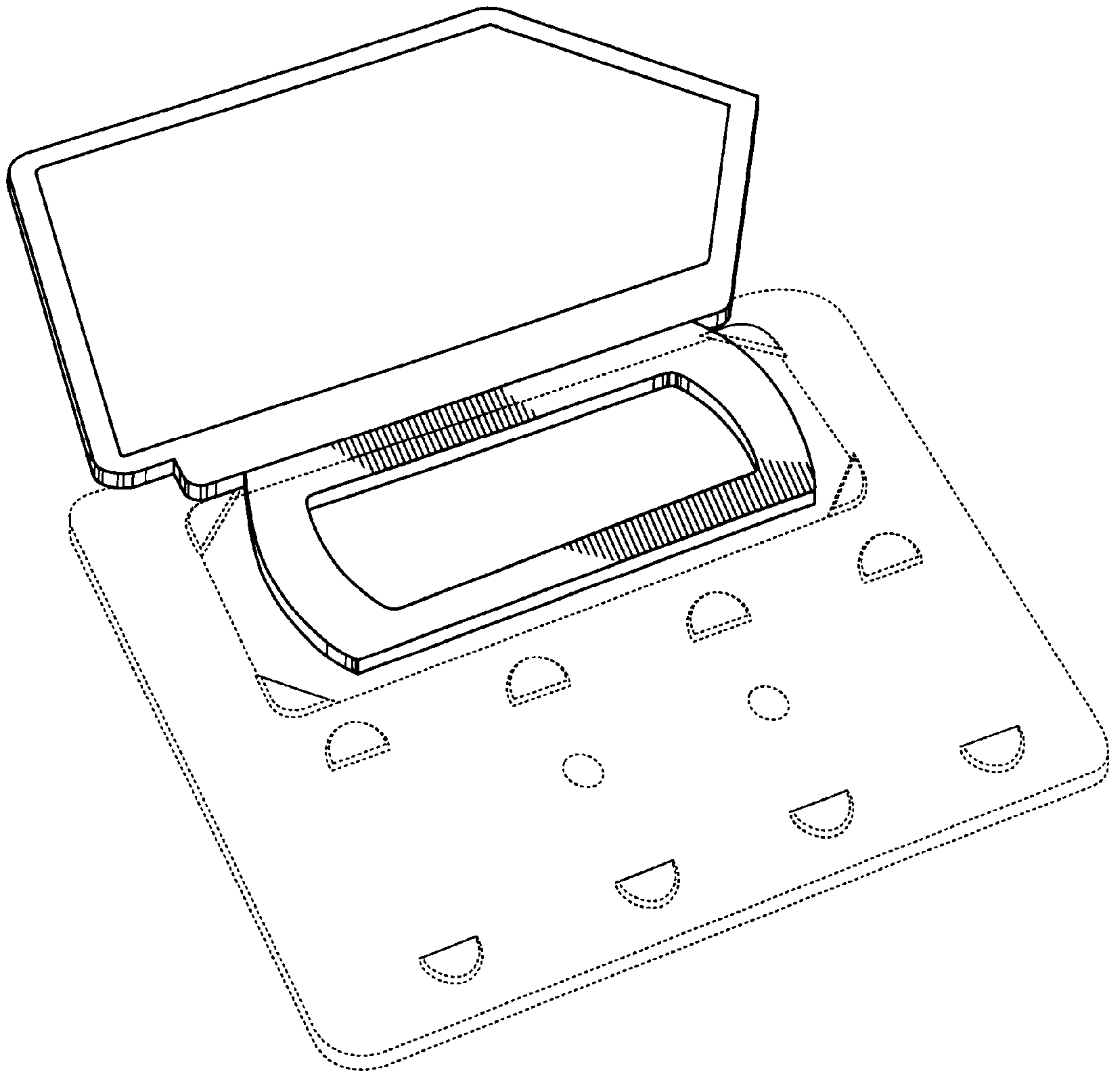


FIG. 1

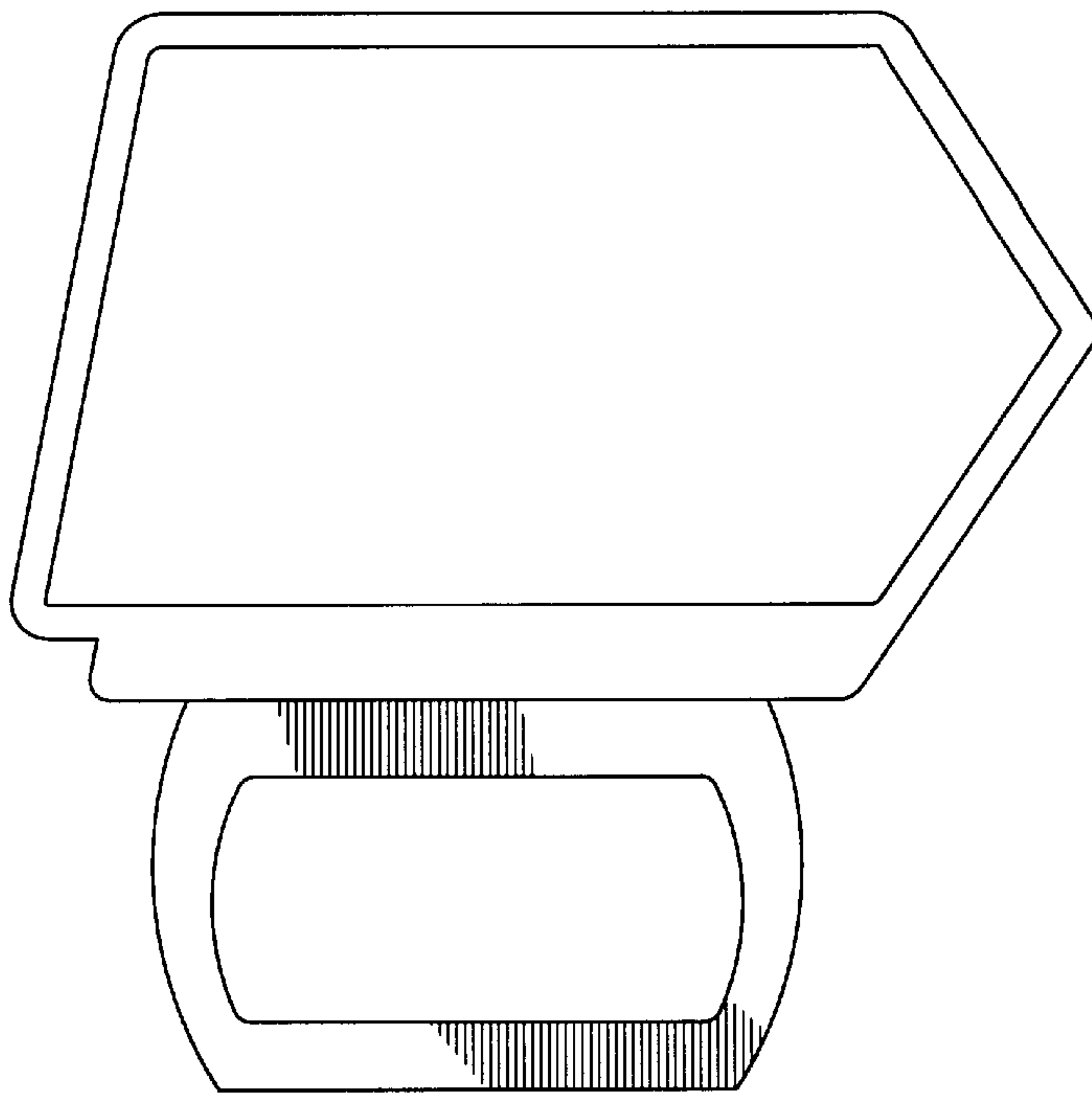


FIG. 2

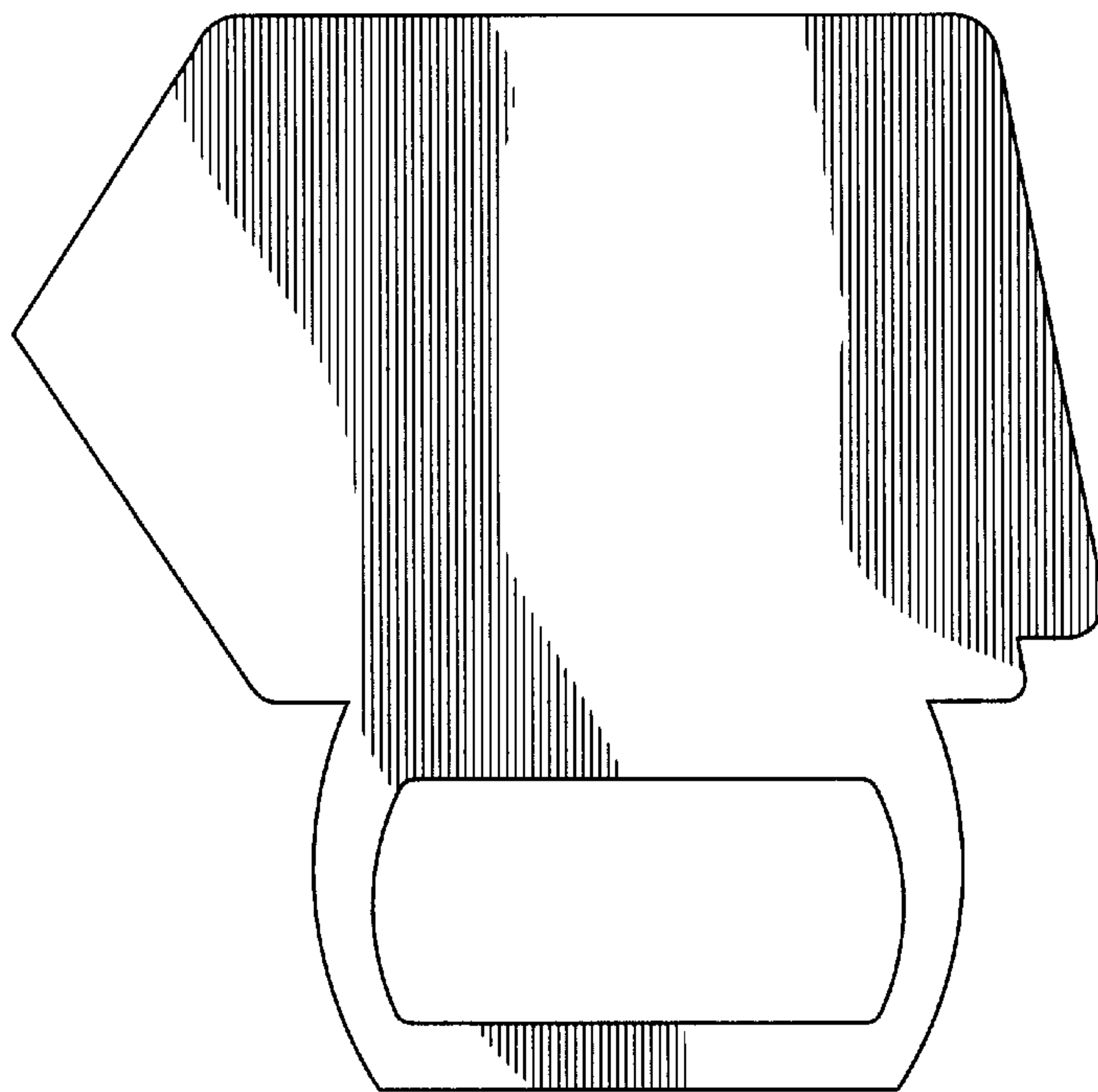


FIG. 3

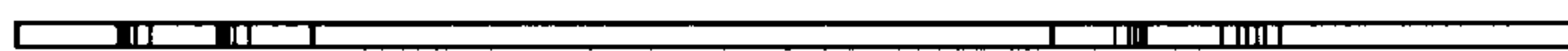


FIG. 4

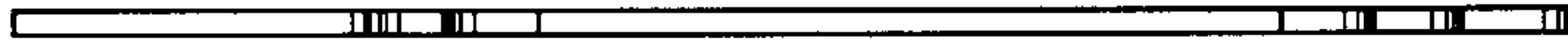


FIG. 5



FIG. 6



FIG. 7