



US00D426577S

United States Patent [19]

Mackey et al.

[11] Patent Number: **Des. 426,577**

[45] Date of Patent: **** Jun. 13, 2000**

- [54] **ROLLED SHEET RETAINER**
- [75] Inventors: **Terry D. Mackey**, Minneapolis, Minn.;
Catherine M. Murphy, Chippewa Falls, Wis.
- [73] Assignee: **Key Group, Inc.**, Minneapolis, Minn.
- [**] Term: **14 Years**
- [21] Appl. No.: **29/065,217**
- [22] Filed: **Jan. 24, 1997**

3,458,110	7/1969	Goldman	229/17
3,636,595	1/1972	Wines	24/555
3,651,544	3/1972	Soma	24/16 R
3,661,693	5/1972	Pierson	24/555 X
3,899,807	8/1975	Sovish et al.	24/255 C
3,958,379	5/1976	Williams et al.	52/145
4,280,258	7/1981	Kunze	24/257
4,454,969	6/1984	Huth	223/96
4,498,732	2/1985	Campbell et al.	350/96.2
4,747,496	5/1988	Rendine	215/101
4,901,962	2/1990	Greer	24/555 X
4,979,712	12/1990	Rios	D8/396 X
4,997,104	3/1991	Pohl	220/403
5,255,800	10/1993	Kelly	211/89
5,351,615	10/1994	Köbler et al.	D18/56 X

Related U.S. Application Data

- [63] Continuation of application No. 29/046,206, Nov. 9, 1995, abandoned.
- [51] **LOC (7) Cl.** **19-02**
- [52] **U.S. Cl.** **D19/89; D19/32; D19/65; D19/86; D8/396**
- [58] **Field of Search** **D8/394-396; D19/32, D19/65, 75, 76, 78, 81-85, 86, 89, 95, 99, 100; 24/67 R, 67.1-67.11, 546, 555; 206/53, 400; 40/371, 493, 591, 617; 211/86.01, 87.01, 89.01, 60.1**

FOREIGN PATENT DOCUMENTS

174859	10/1952	Australia	206/398
2243448	9/1990	Japan	242/588.3
195134	4/1938	Switzerland	24/555

Primary Examiner—Martie K. Holtje
Attorney, Agent, or Firm—Kinney & Lange, P.A.

[57] CLAIM

The ornamental design for a rolled sheet retainer, as shown and described.

DESCRIPTION

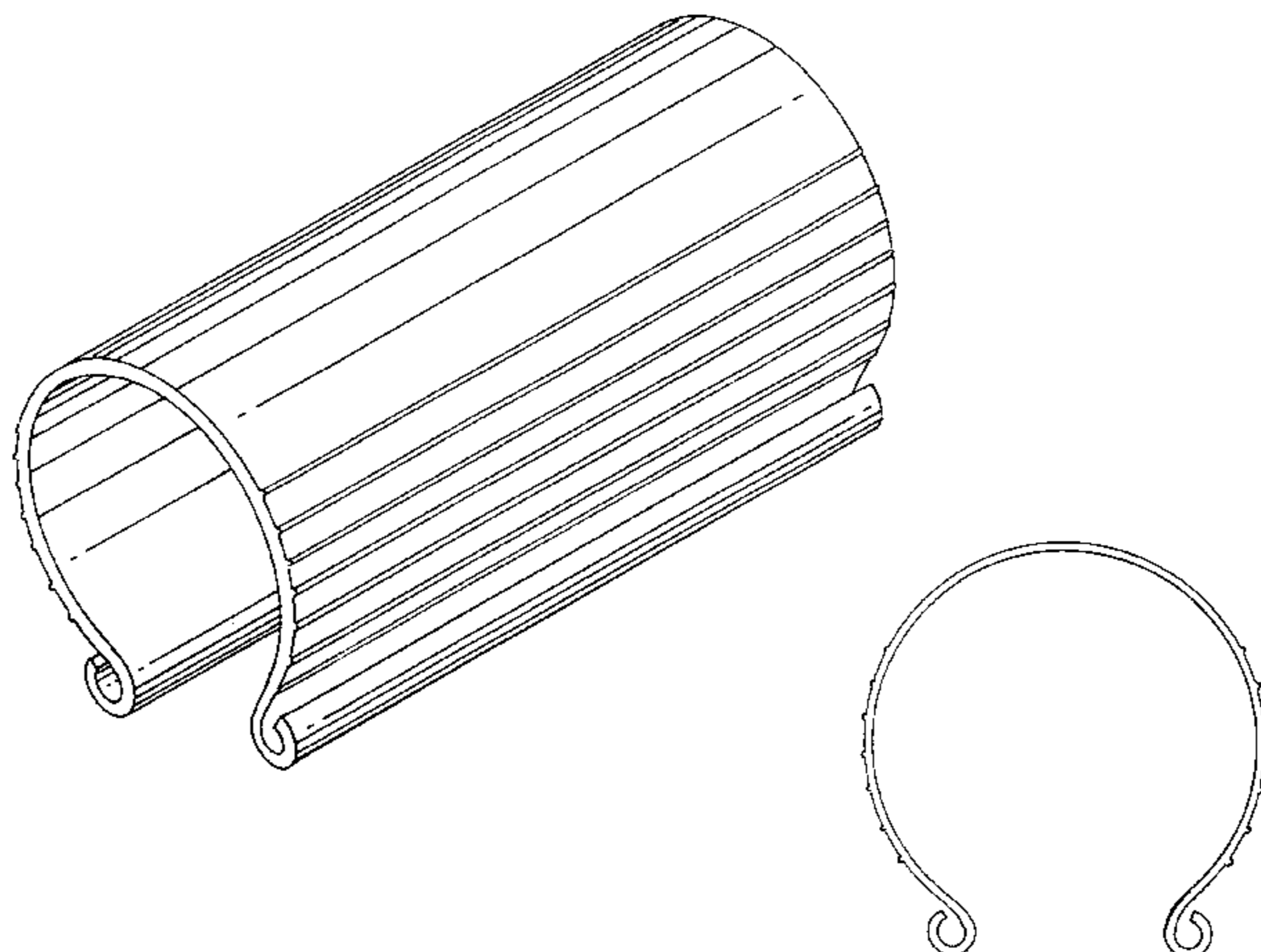
FIG. 1 is an isometric view of a first embodiment of a rolled sheet retainer of the present invention;
 FIG. 2 is a view of FIG. 1, as taken from the right side;
 FIG. 3 is an end view elevation of FIG. 1;
 FIG. 4 is a top plan view of FIG. 1;
 FIG. 5 is a bottom plan view of FIG. 1;
 FIG. 6 is an isometric view of a second embodiment of a rolled sheet retainer of the present invention;
 FIG. 7 is a view of FIG. 6, as taken from the right side;
 FIG. 8 is an end view elevation of FIG. 6;
 FIG. 9 is a top plan view of FIG. 6;
 FIG. 10 is a bottom plan view of FIG. 6;
 FIG. 11 is an isometric view of a third embodiment of a rolled sheet retainer of the present invention;
 FIG. 12 is a view of FIG. 11, as taken from the right side;
 FIG. 13 is an end view elevation of FIG. 11;
 FIG. 14 is a top plan view of FIG. 11; and,
 FIG. 15 is a bottom plan view of FIG. 11.

1 Claim, 6 Drawing Sheets

[56] References Cited

U.S. PATENT DOCUMENTS

D. 84,805	8/1931	Baum	D19/89 X
D. 134,886	1/1943	Foret	D19/65
D. 145,182	7/1946	Mallard	D19/49 X
D. 206,428	12/1966	Feldmahr	D19/32
D. 304,667	11/1989	Hutton	D8/396 X
D. 307,650	5/1990	Murdock	D8/396 X
446,819	2/1891	Ostergren et al.	24/555 X
662,762	11/1900	Brownell	206/53
831,201	9/1906	Wiswall	206/53
887,979	5/1908	Stockwell	24/67.9
944,022	12/1909	Eken	24/555
972,531	10/1910	Haynes	24/67.9
1,468,636	9/1923	Hoefl	206/400
1,962,953	6/1934	Erwin	24/555 X
2,018,198	10/1935	Baggett	24/555
2,064,432	12/1936	Keidel	150/3
2,229,961	1/1941	Deane	206/53 X
3,141,221	7/1964	Faulls, Jr.	24/30.5
3,318,224	5/1967	Bohanon	24/462 X



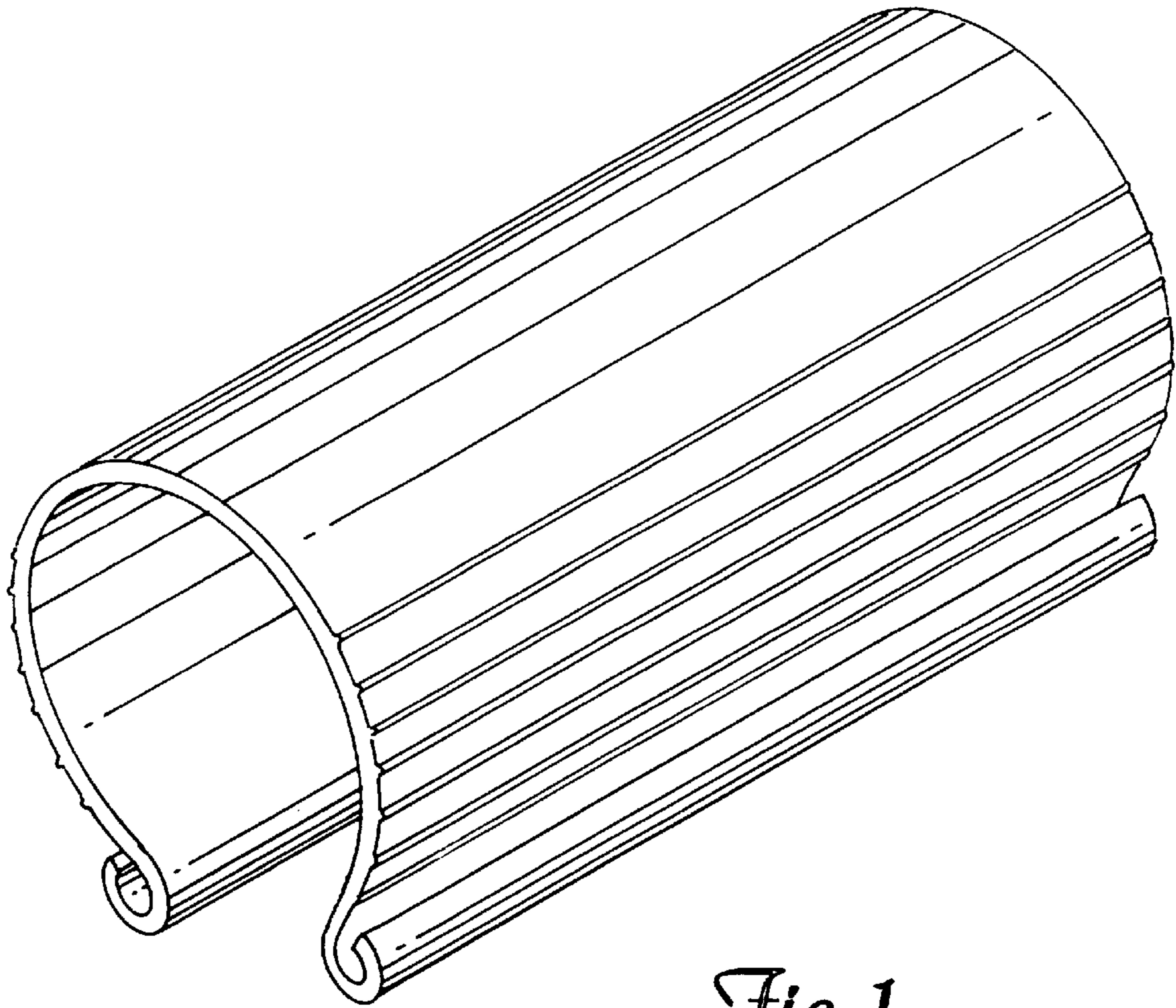


Fig. 1

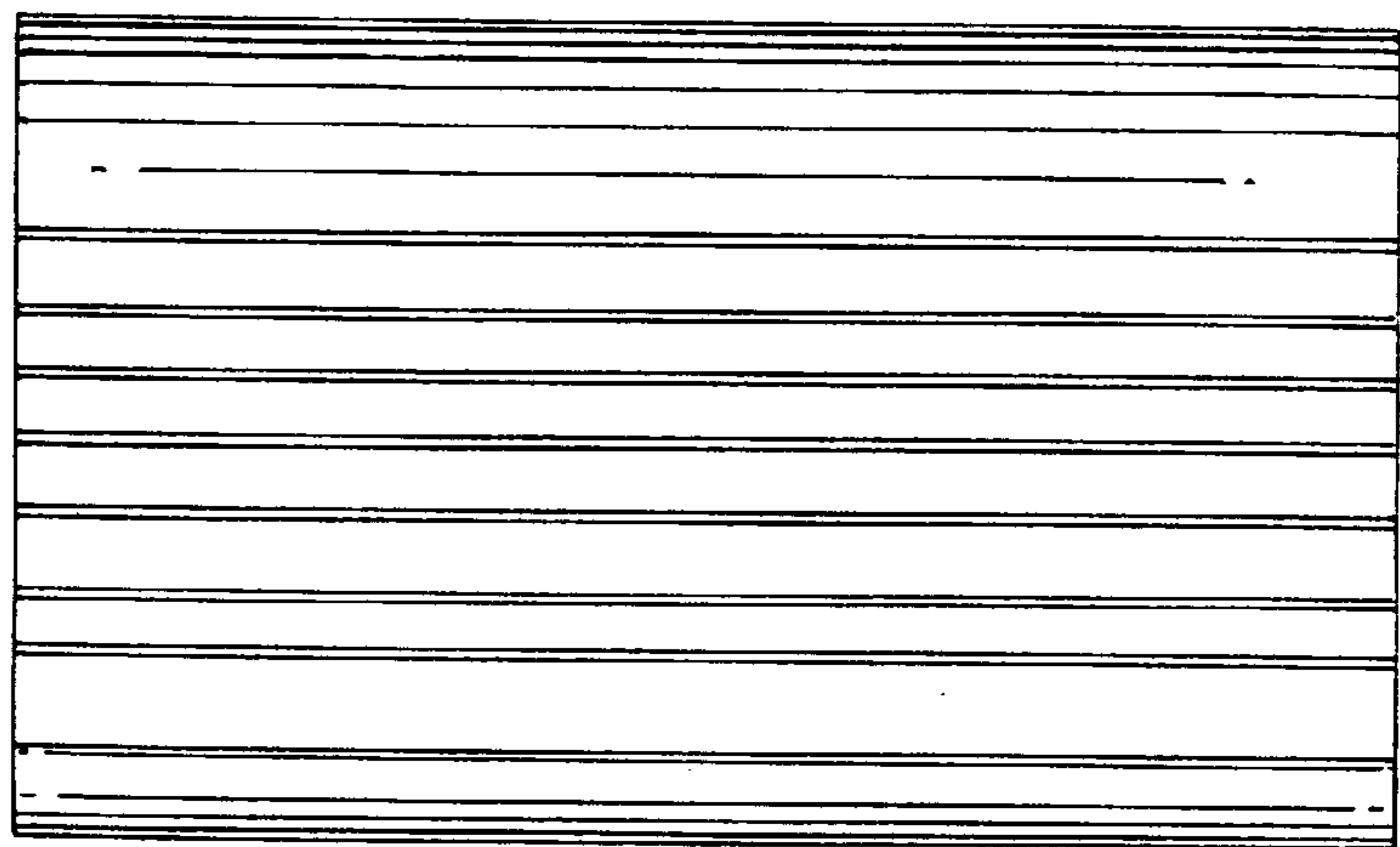


Fig. 2

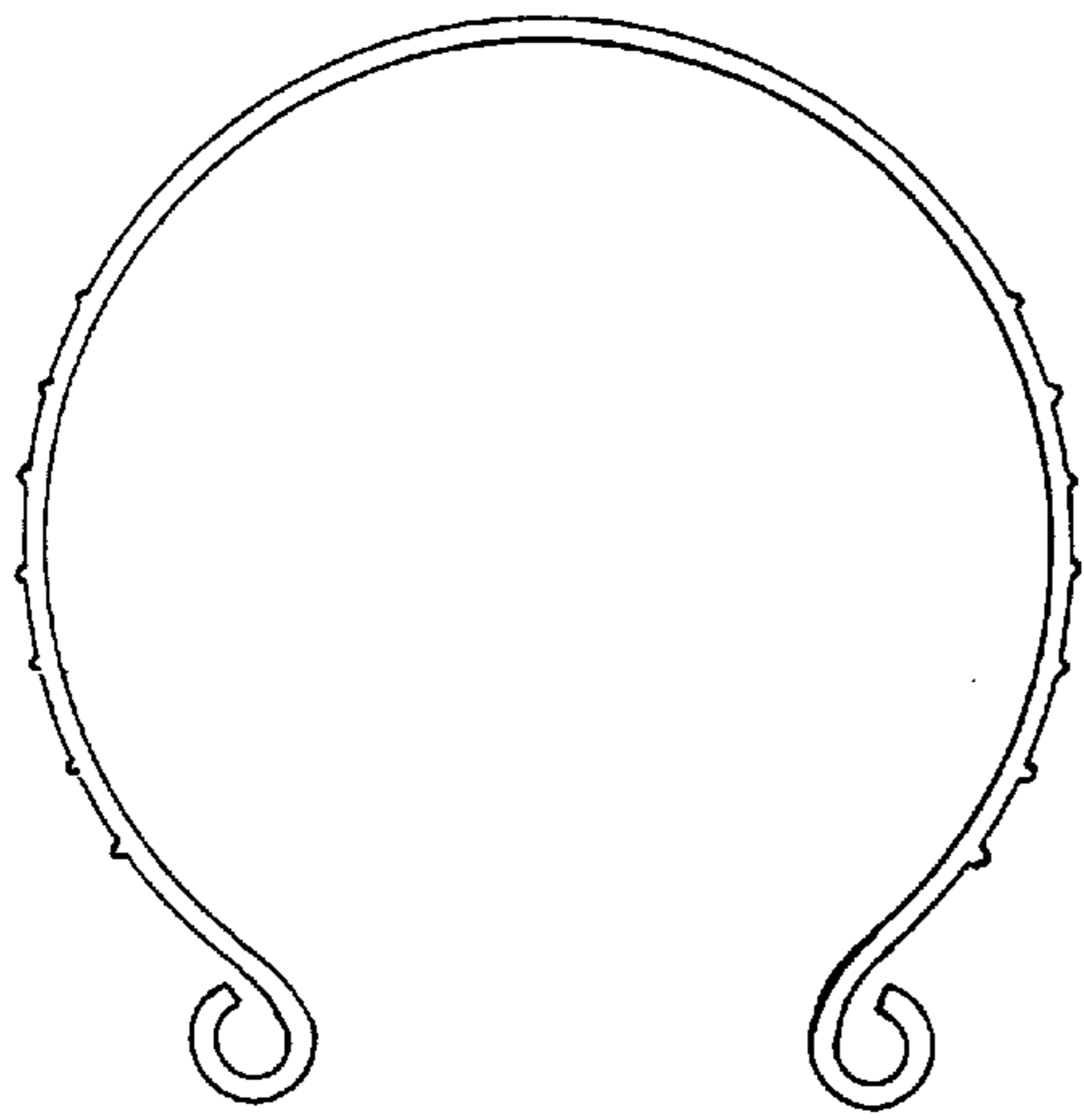


Fig. 3

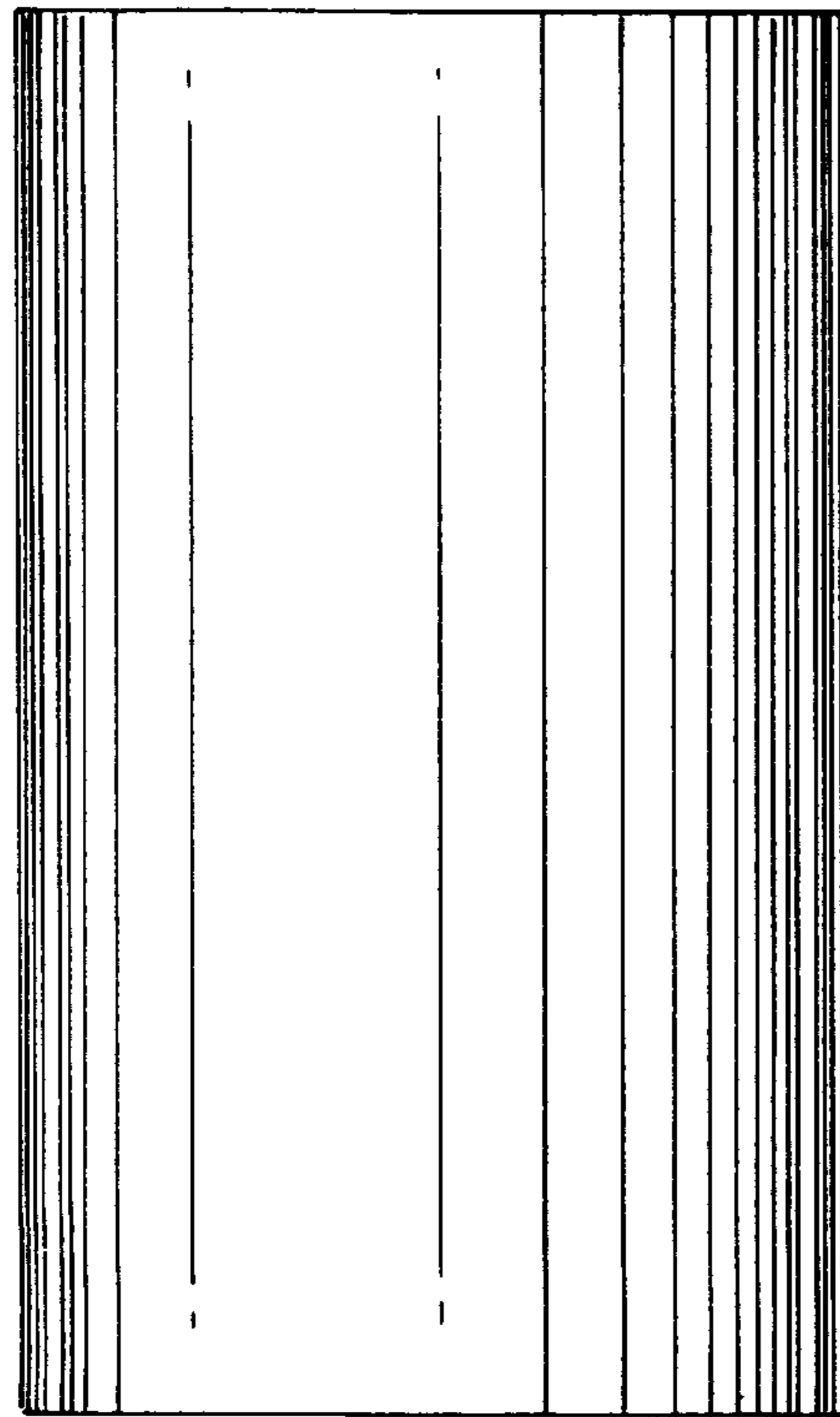


Fig. 4

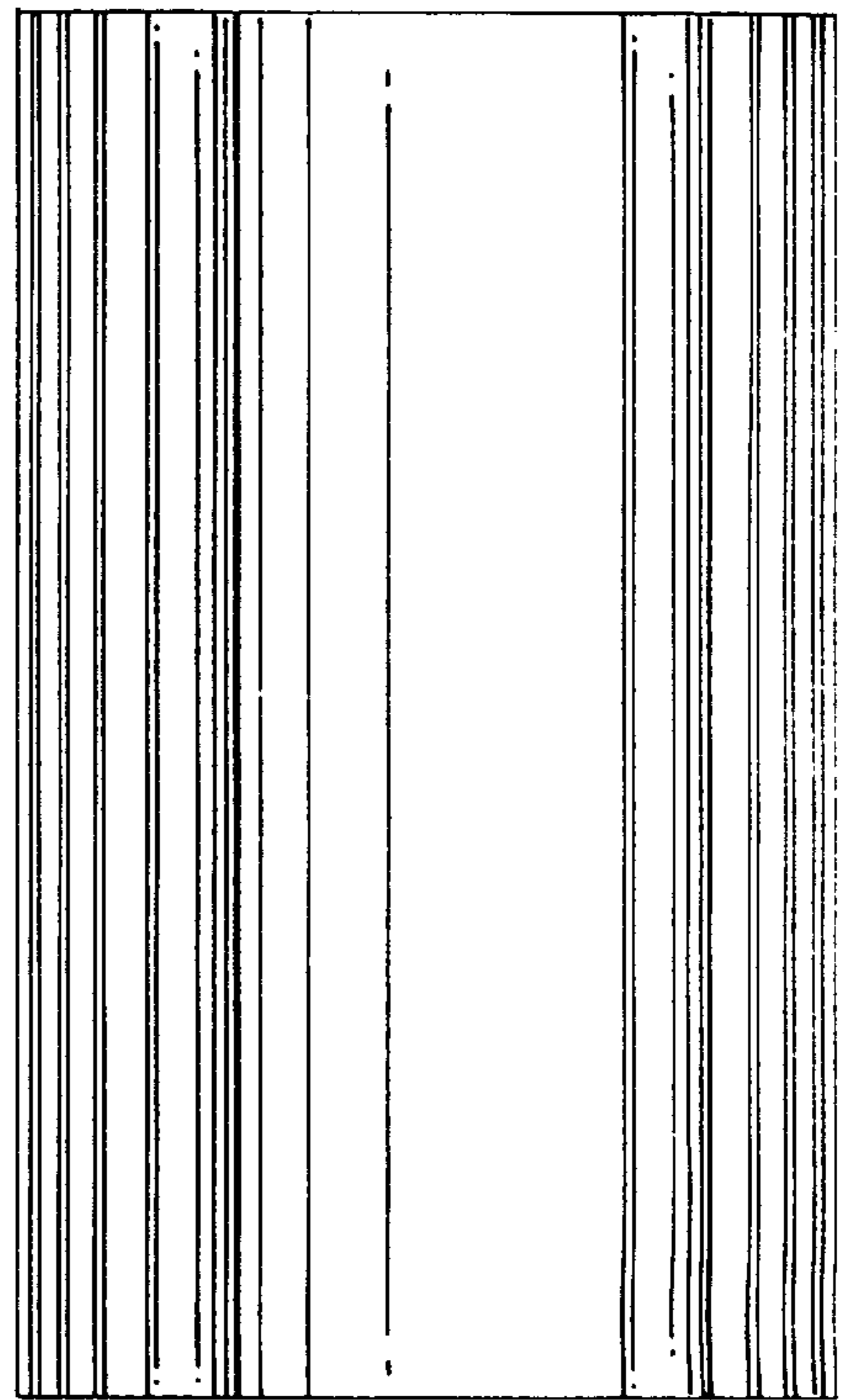


Fig. 5

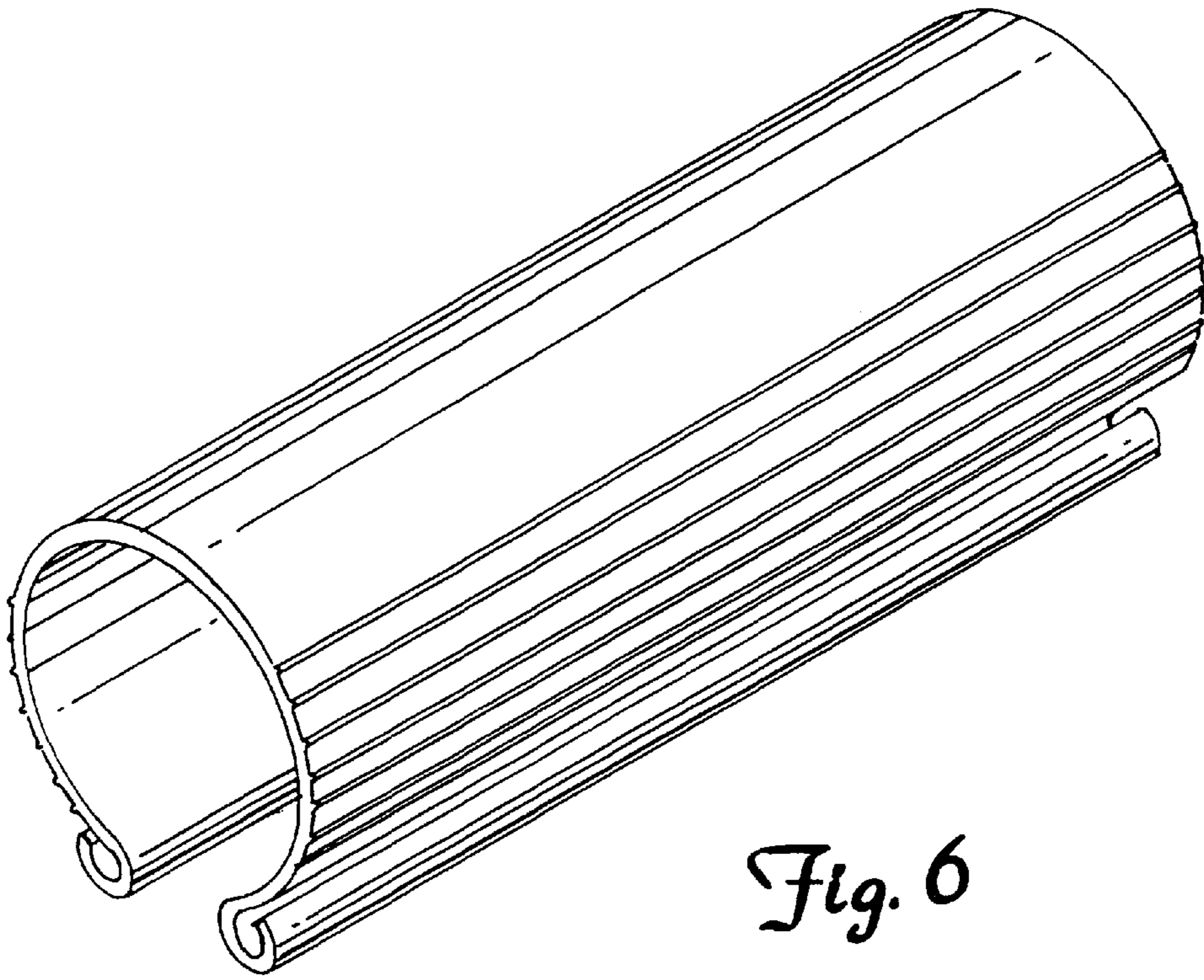


Fig. 6

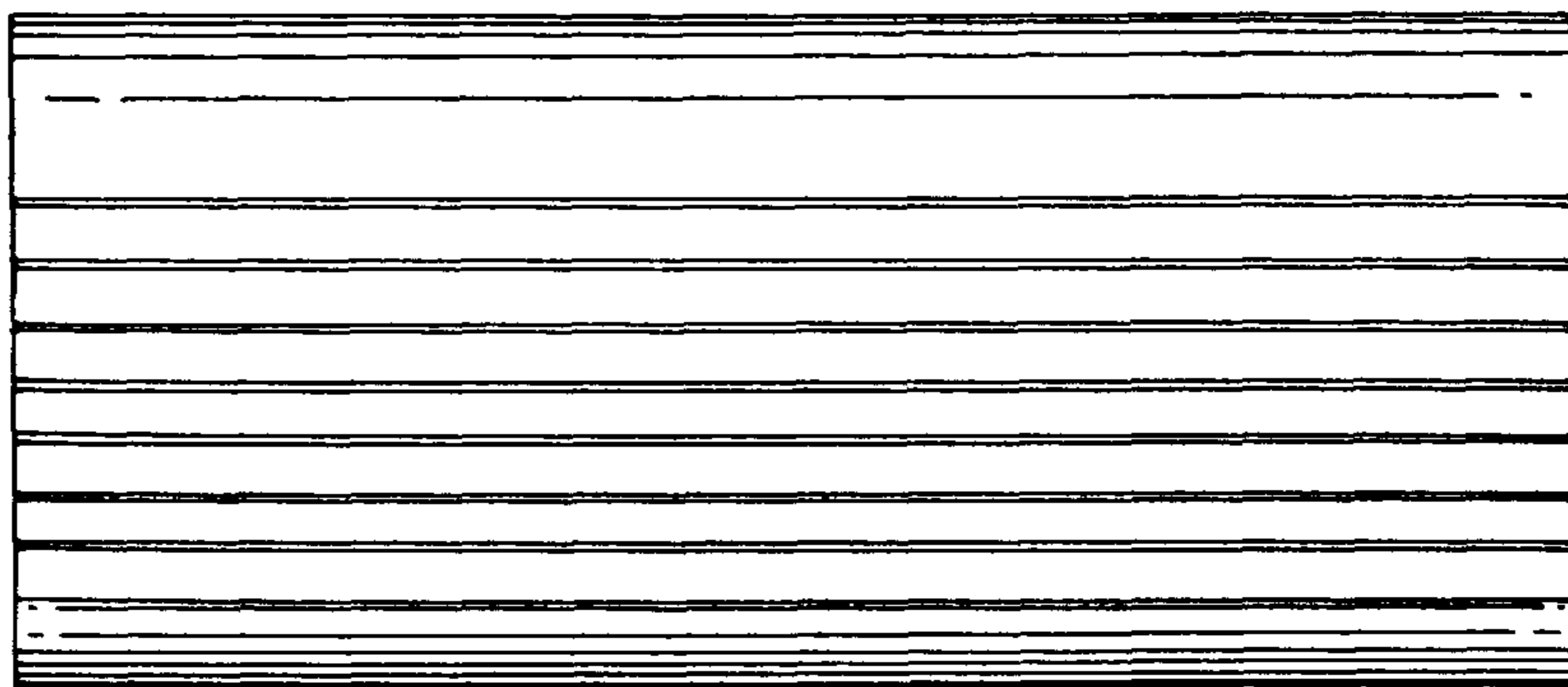


Fig. 7

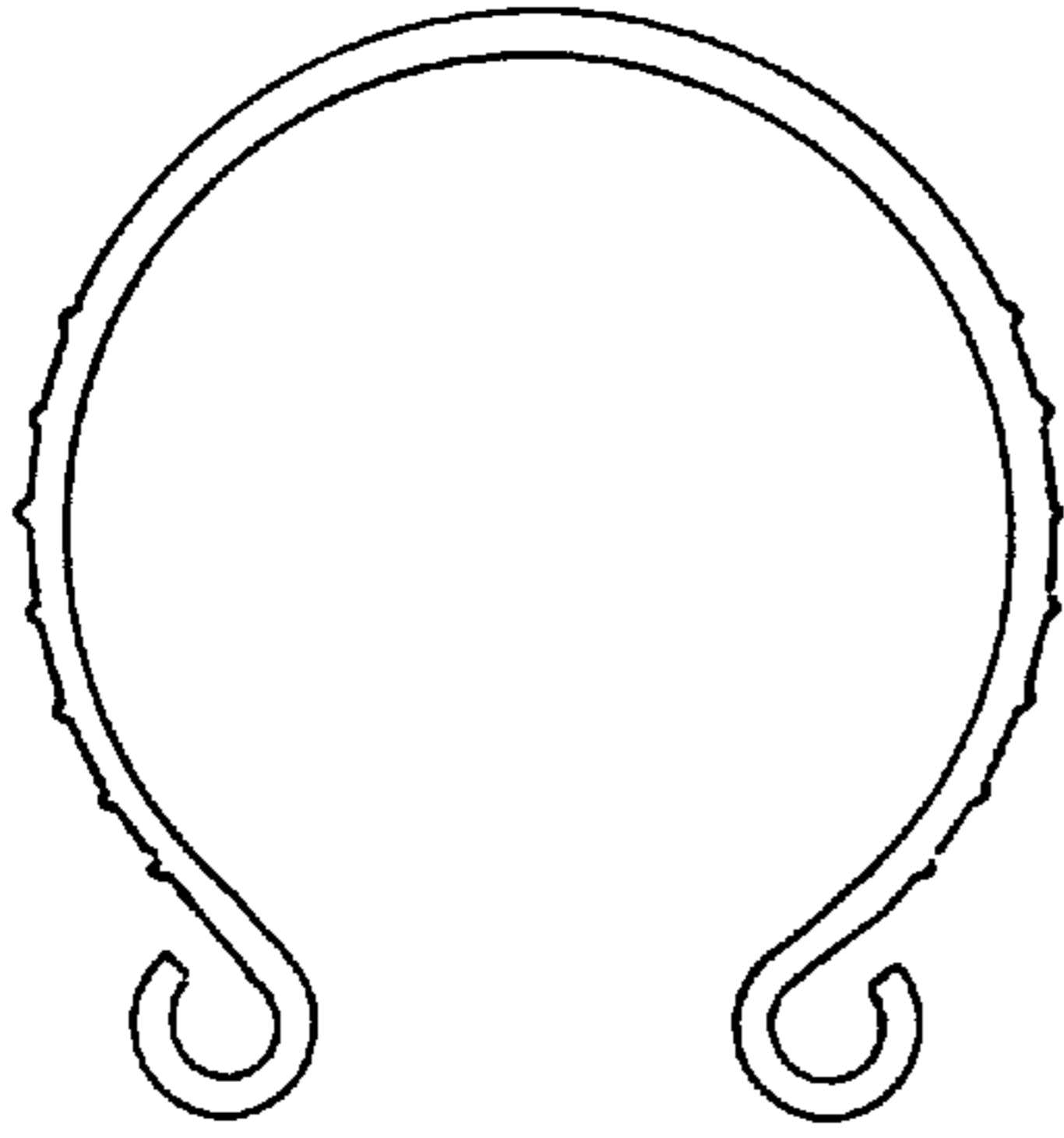


Fig. 8

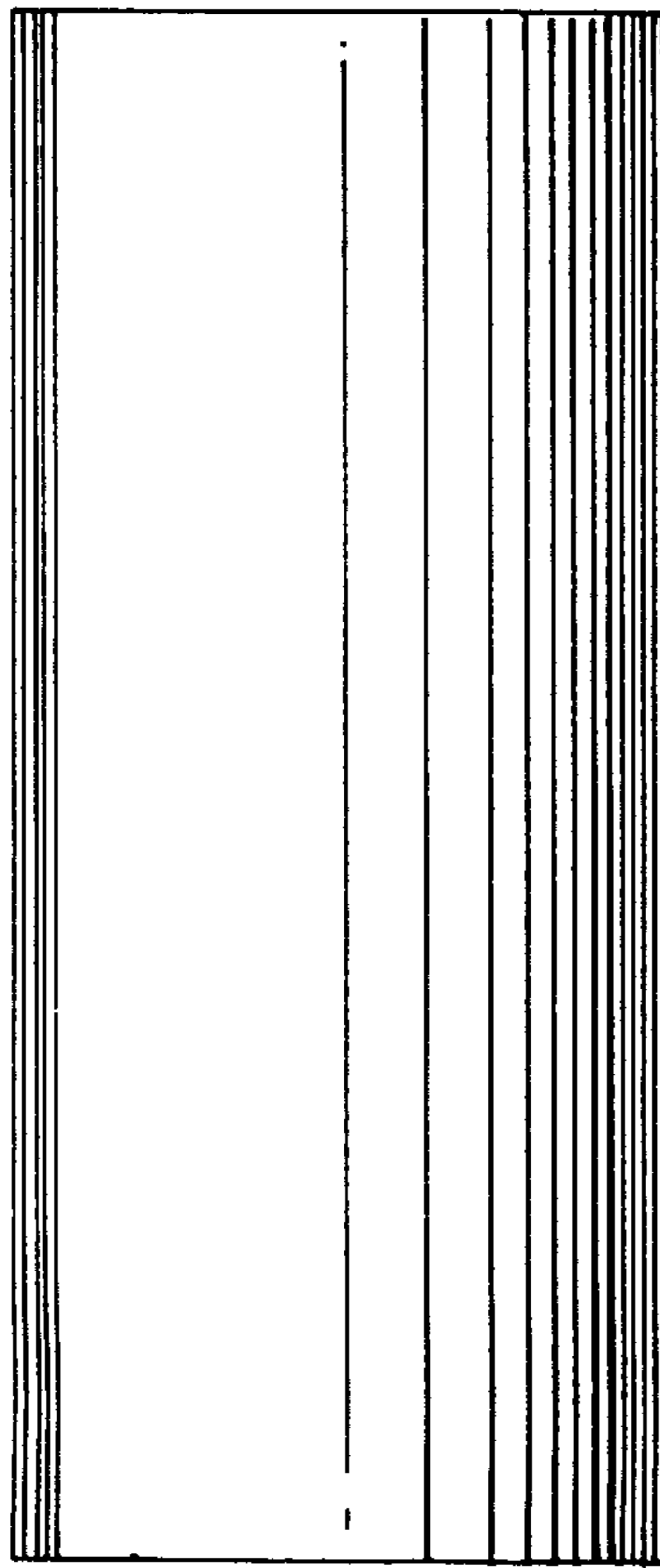


Fig. 9

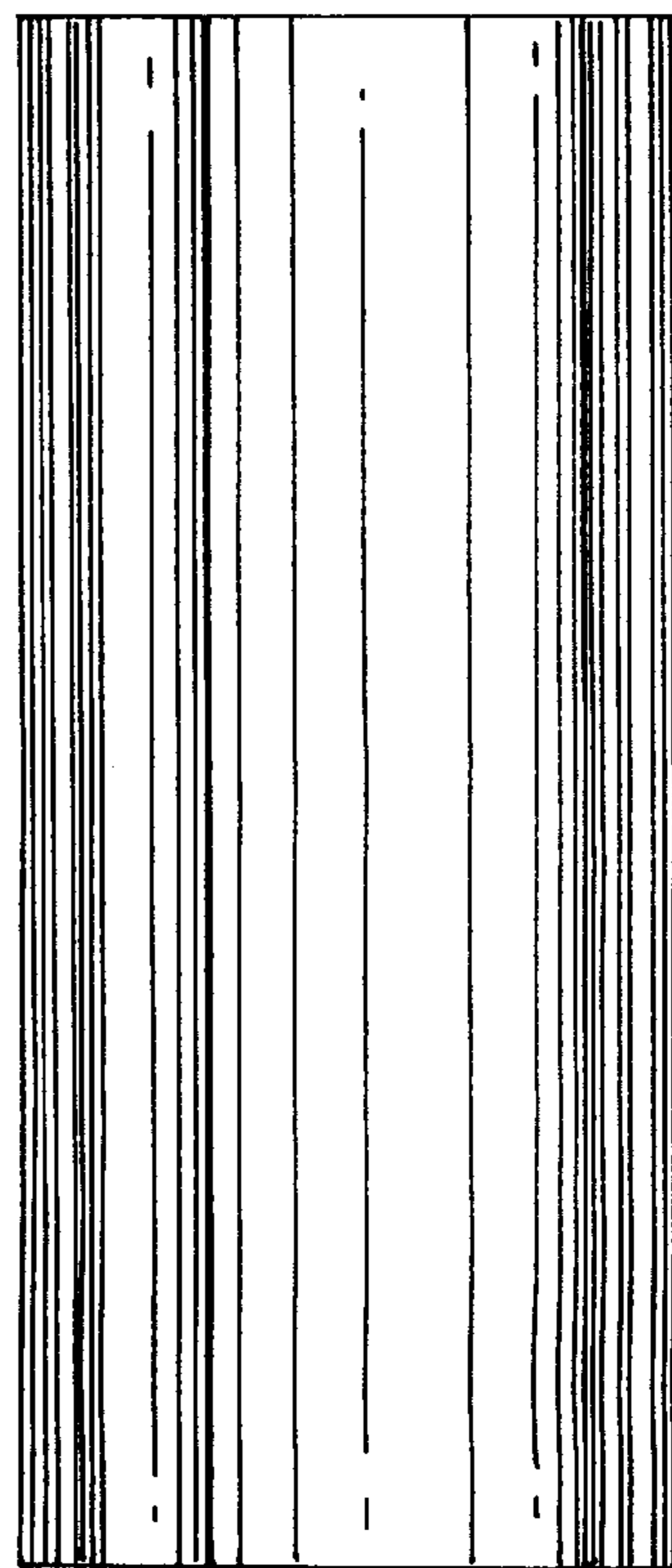


Fig. 10

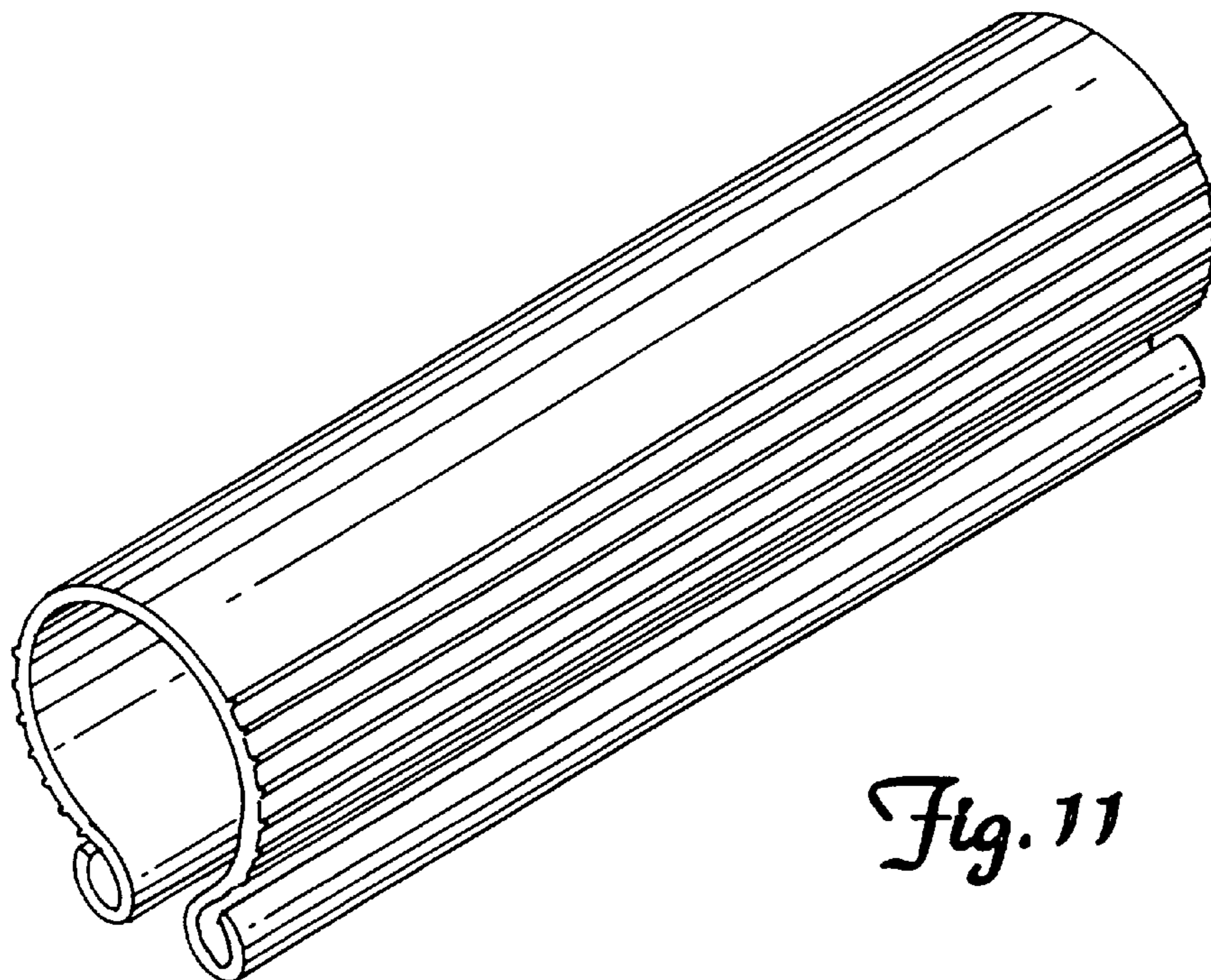


Fig. 11

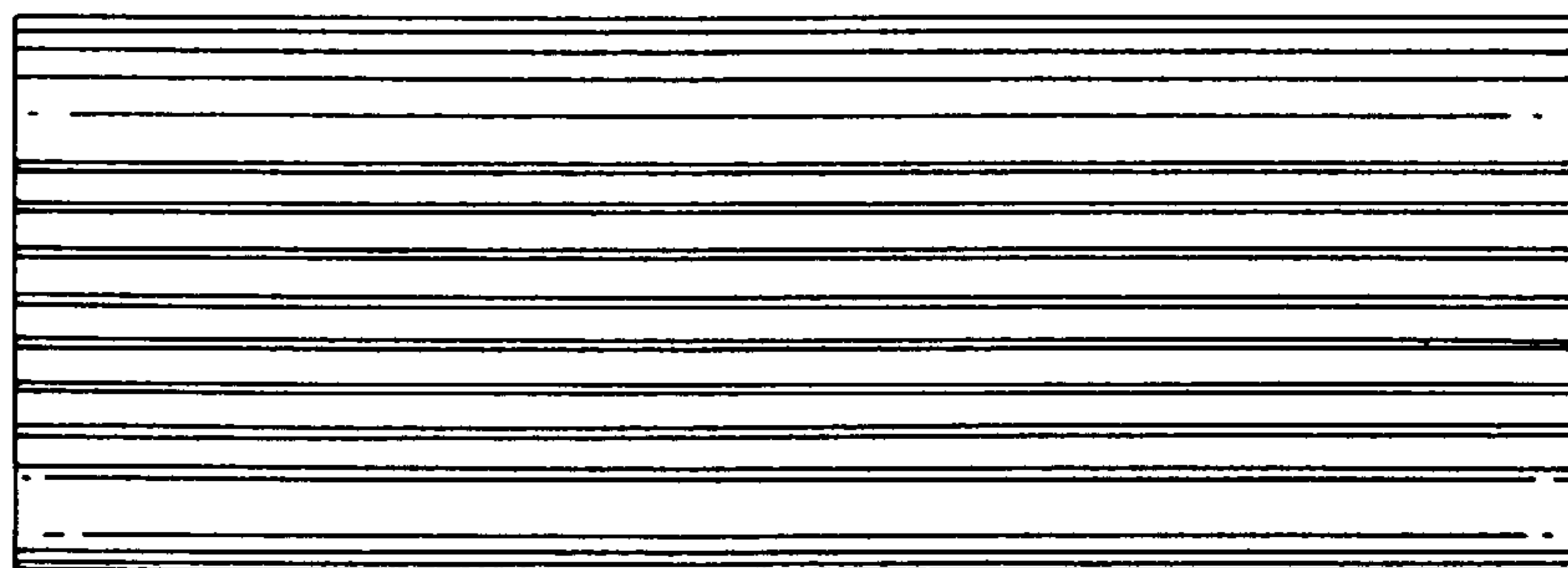


Fig. 12

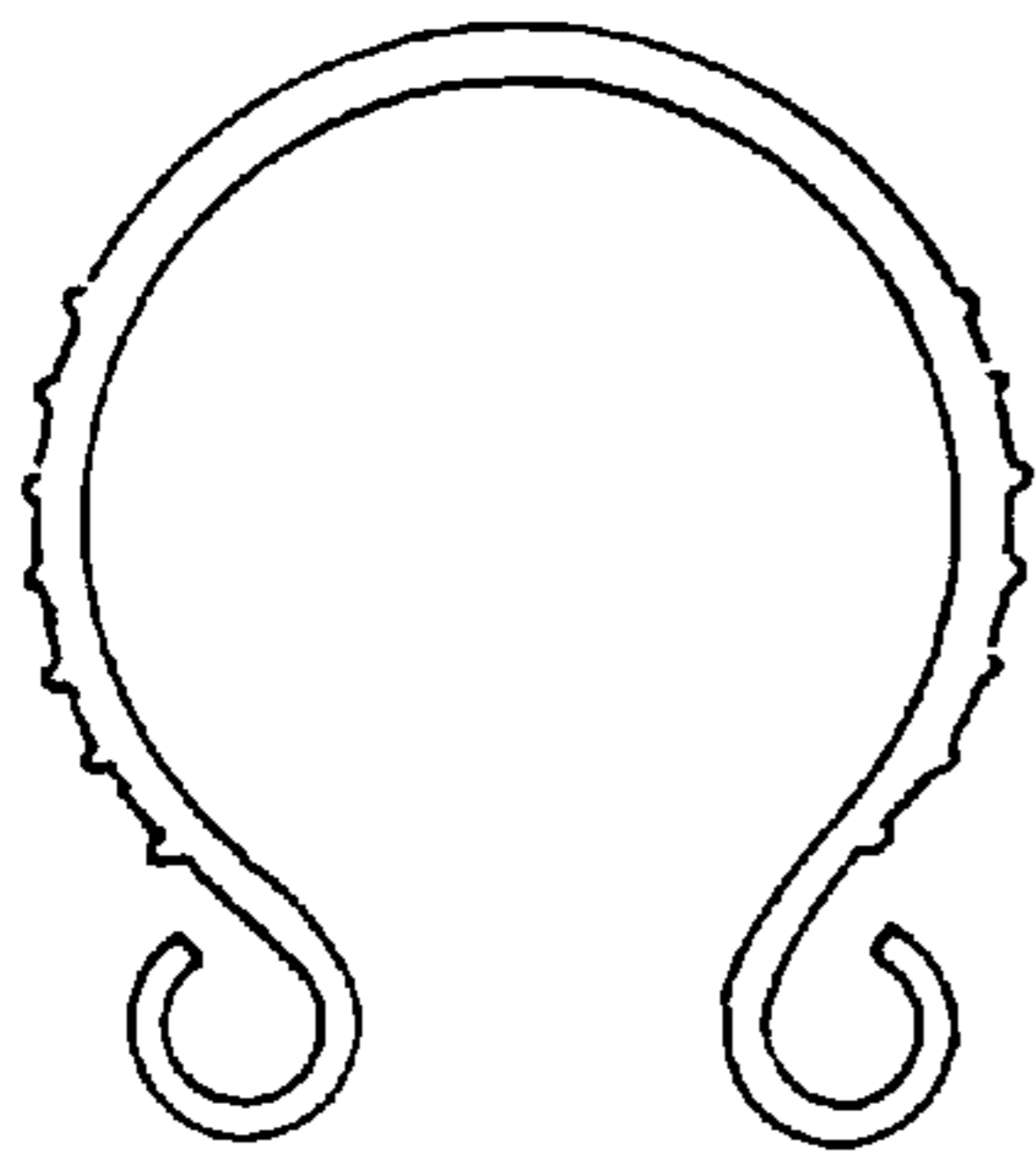


Fig. 13

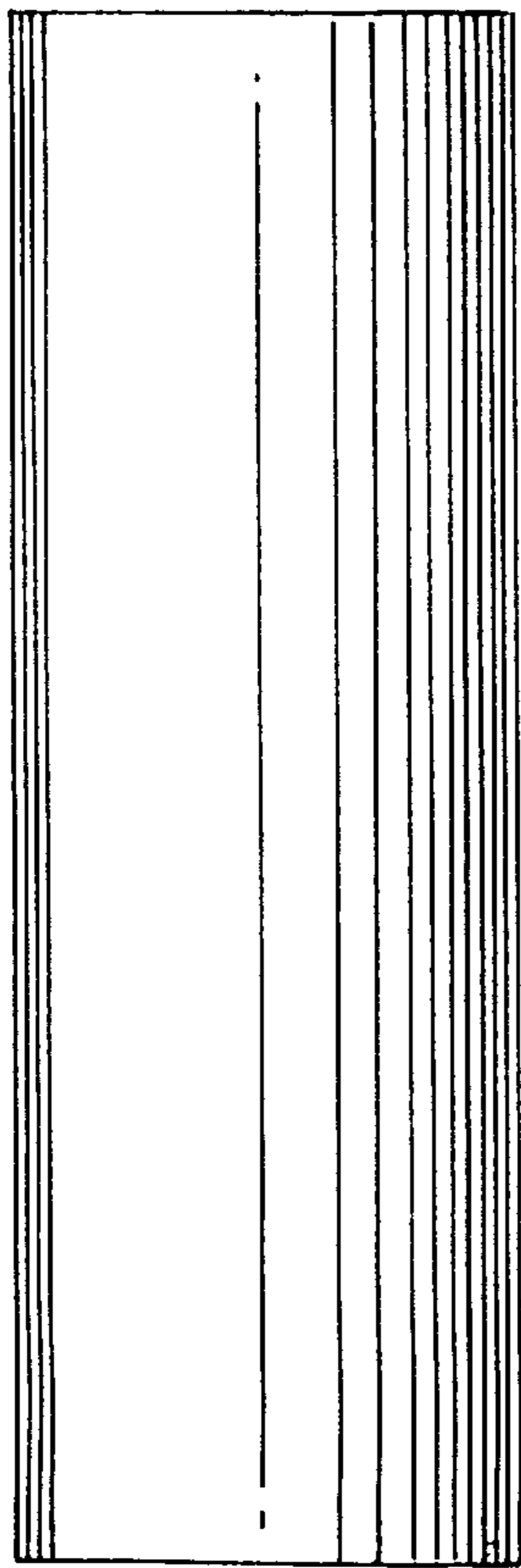


Fig. 14

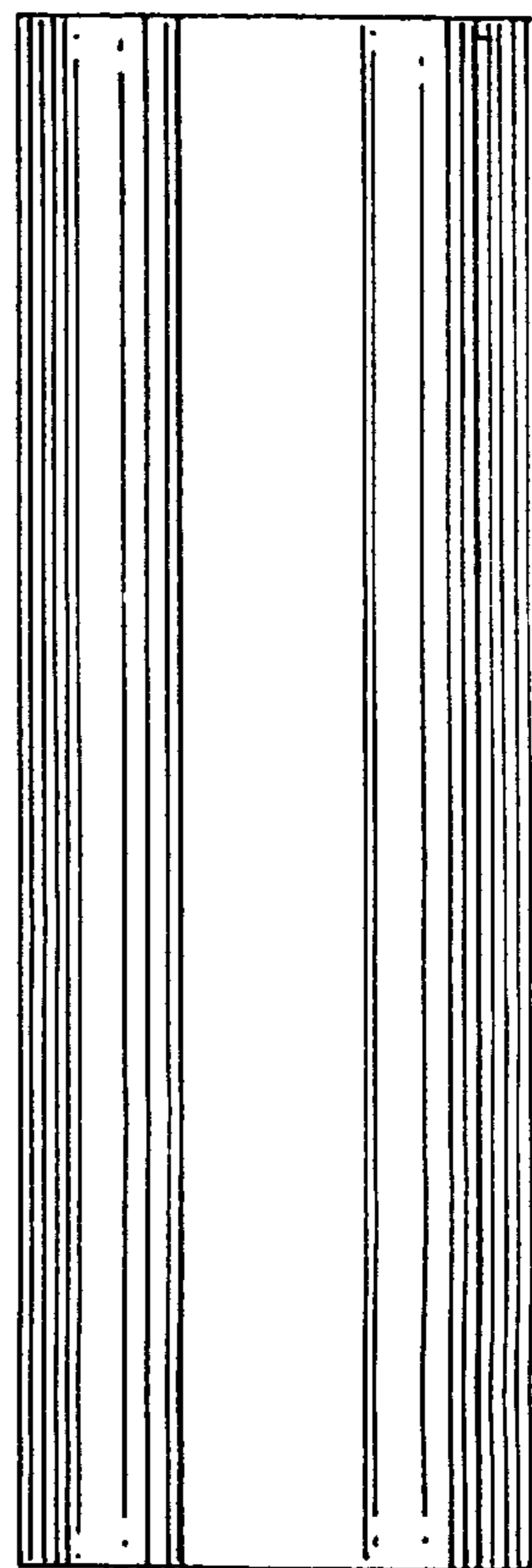


Fig. 15