



US00D426575S

# United States Patent [19]

Harris et al.

[11] Patent Number: Des. 426,575

[45] Date of Patent: \*\* Jun. 13, 2000

[54] FILE BIN

[75] Inventors: **David C. Harris**, Baraboo; **Patrick J. Foley**, Stoughton, both of Wis.; **Charles E. Bain**, West Dundee, Ill.

[73] Assignee: **Berol Corporation**, Madison, Wis.

[\*\*] Term: **14 Years**

[21] Appl. No.: **29/096,010**

[22] Filed: **Nov. 3, 1998**

[51] LOC (7) Cl. .... **19-02**

[52] U.S. Cl. .... **D19/75; D19/78; D19/90**

[58] Field of Search ..... D19/36, 65, 75, D19/76, 77, 78, 81-85, 86; D3/282; 211/10, 11, 13.1, 42, 69.1-69.9, 69, 50, 44, 45, 87.01, 88.01, 126.13; D6/553, 567

### [56] References Cited

#### U.S. PATENT DOCUMENTS

- D. 146,064 12/1946 Adams ..... D19/36
- D. 170,650 10/1953 McNine ..... D19/75 X

- D. 267,370 12/1982 Cline ..... D3/282
- D. 401,627 11/1998 Markelz et al. .... D19/78
- 3,986,649 10/1976 Heimstra ..... 211/42 X
- 4,160,570 7/1979 Bridges ..... 211/69 X
- 5,823,359 10/1998 Harris et al. .... 211/11

*Primary Examiner*—Martie K. Holtje  
*Attorney, Agent, or Firm*—Foley & Lardner

### [57] CLAIM

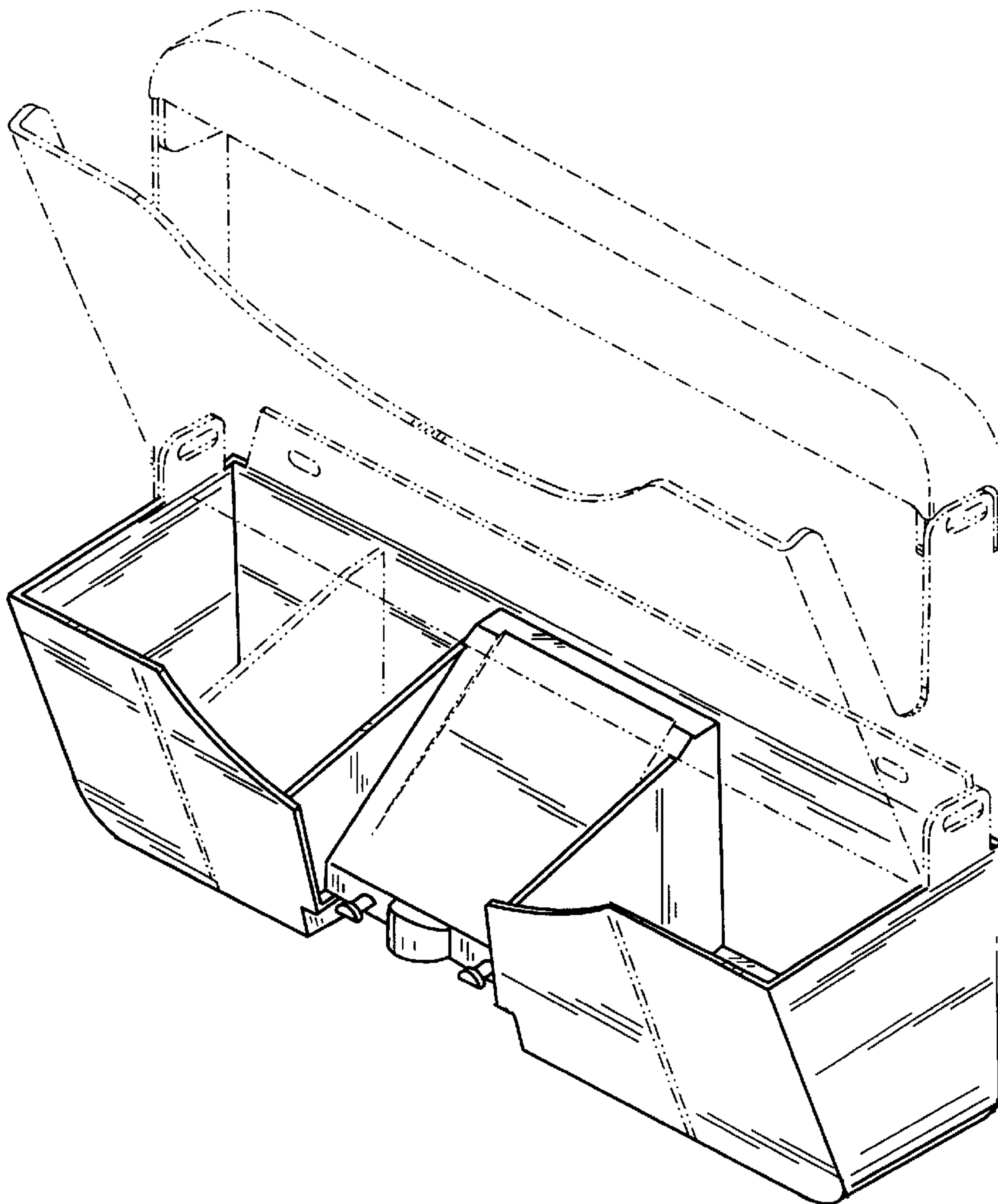
We claim the ornamental design for the file bin, as shown and described.

### DESCRIPTION

FIG. 1 is a perspective view of a file bin;  
 FIG. 2 is a front plan view of the file bin shown in FIG. 1;  
 FIG. 3 is a rear plan view of the file bin shown in FIG. 1;  
 FIG. 4 is a top view of the file bin shown in FIG. 1;  
 FIG. 5 is a bottom view of the file bin shown in FIG. 1; and,  
 FIG. 6 is a right view of the file bin shown in FIG. 1, the left view being the same as the right view of FIG. 6.

The structure depicted by means of broken lines in the drawings has been shown for illustrative purposes only and form no part of the claimed design.

**1 Claim, 3 Drawing Sheets**



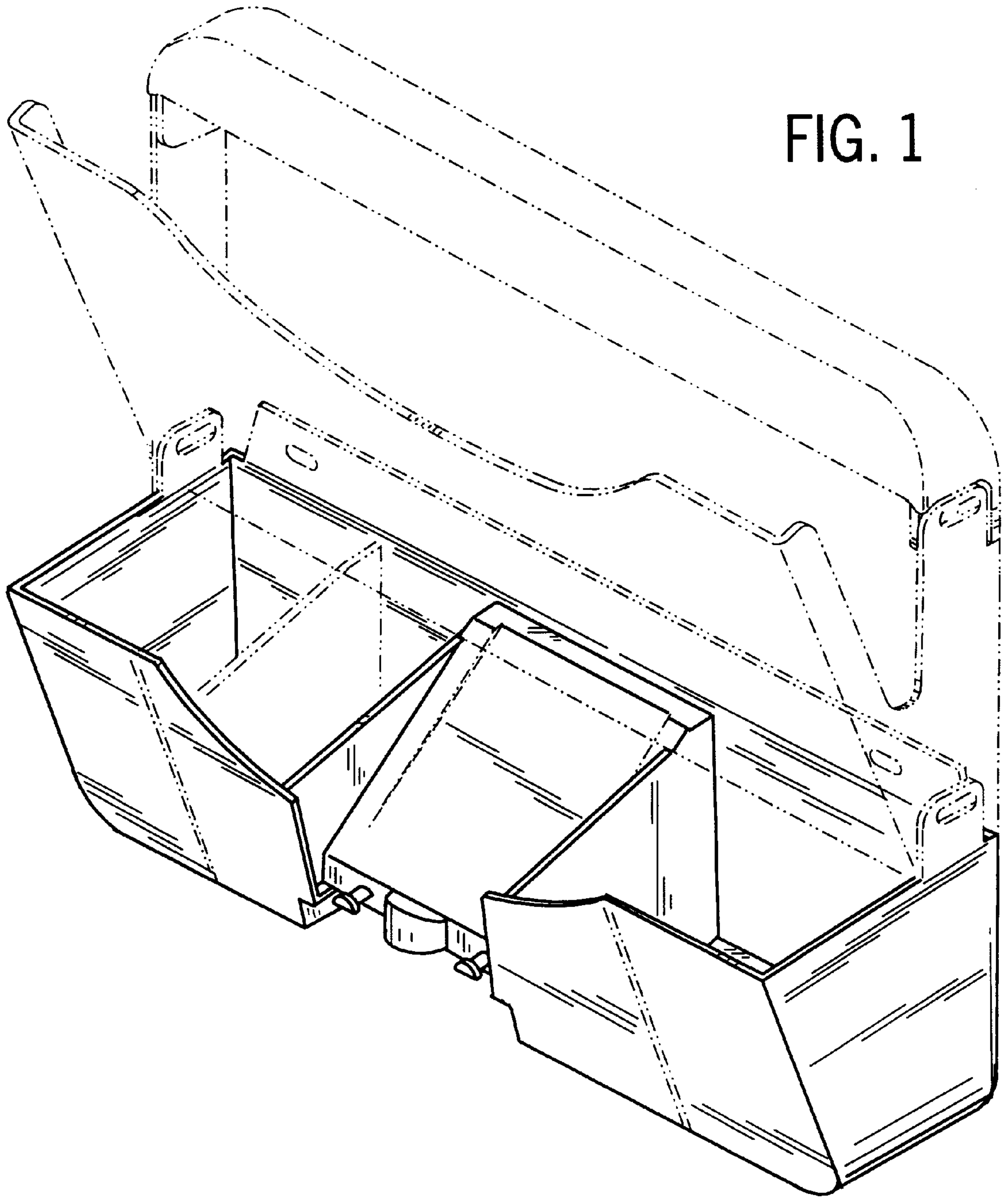


FIG. 1

FIG. 2

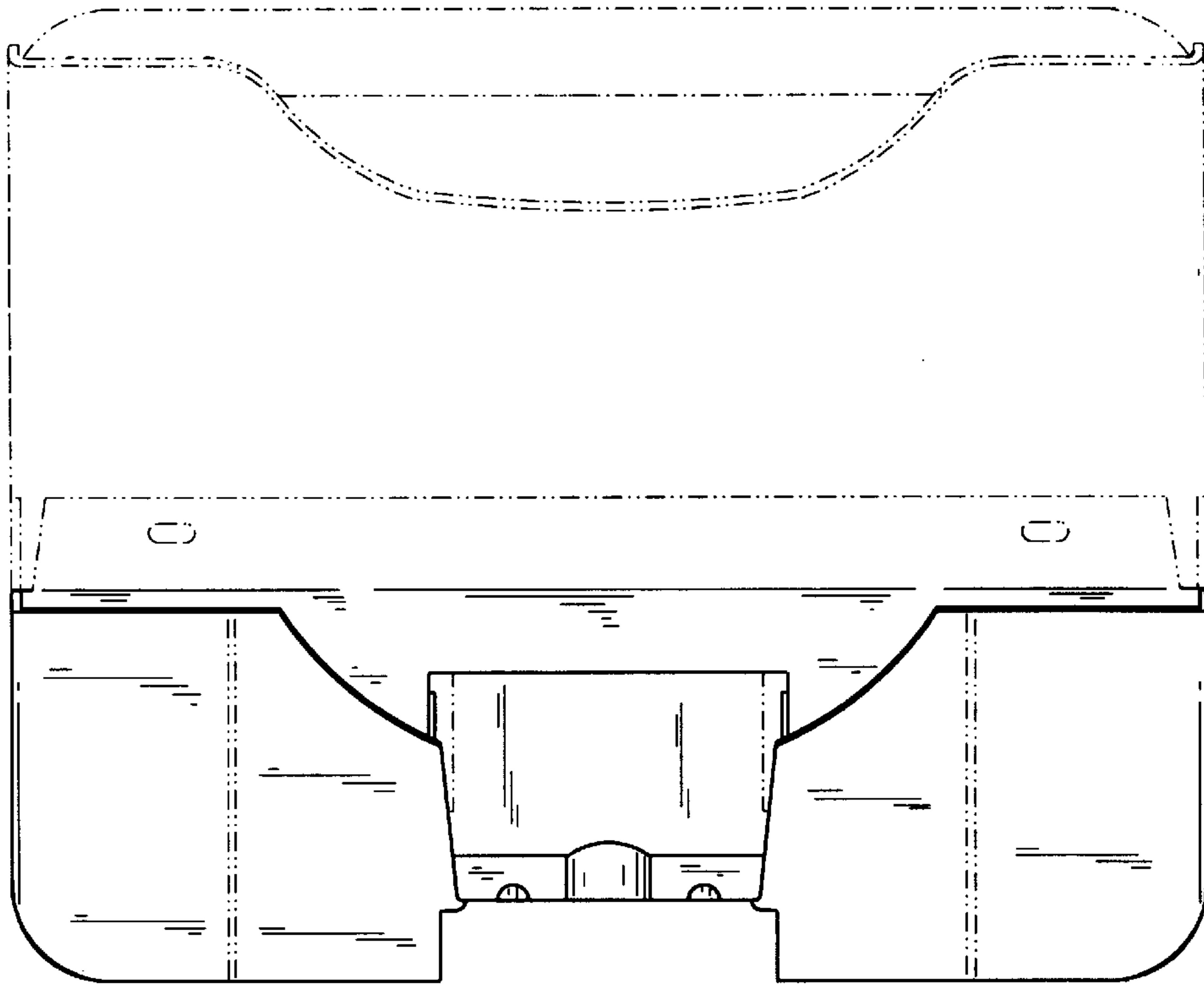


FIG. 3

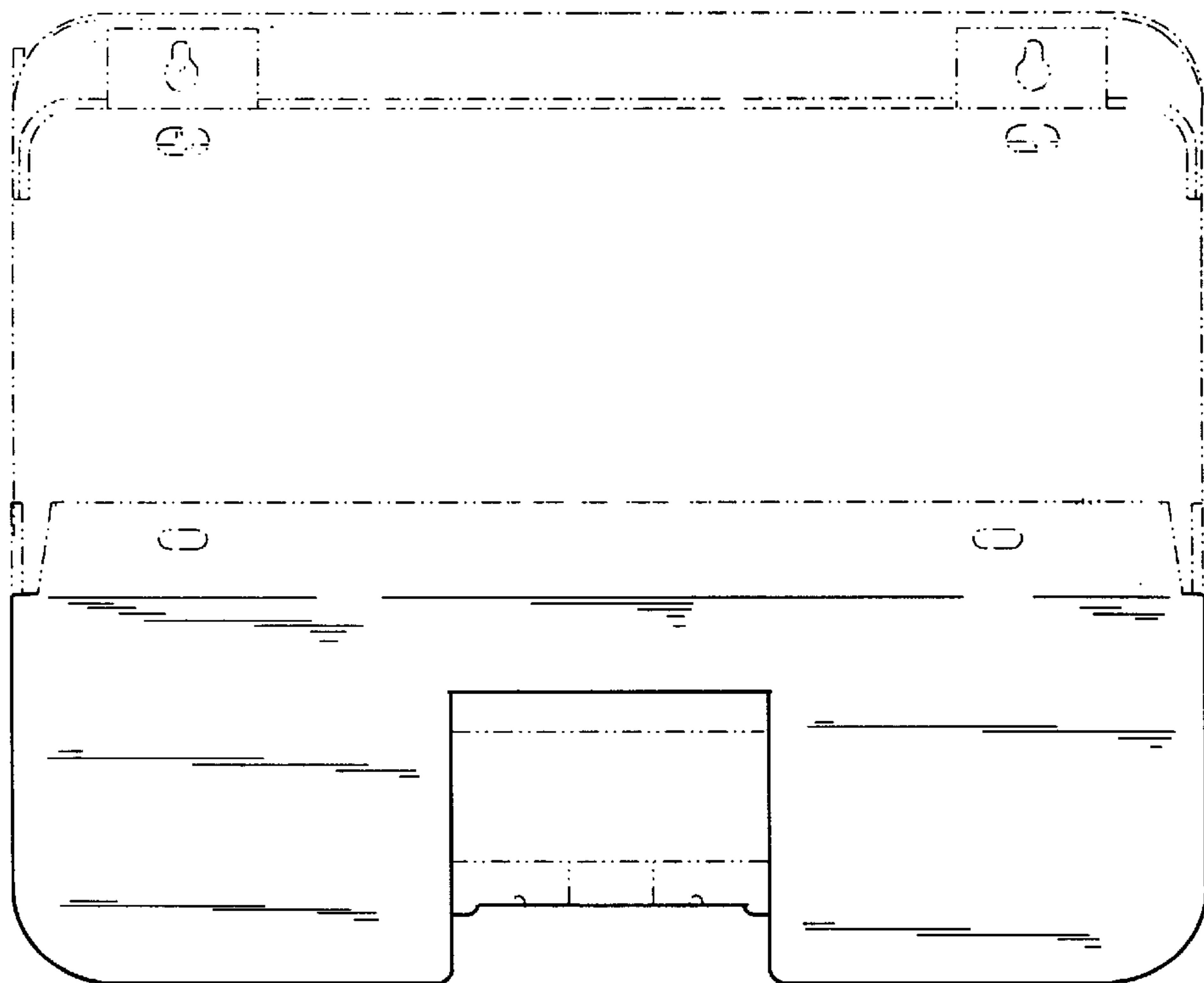


FIG. 4

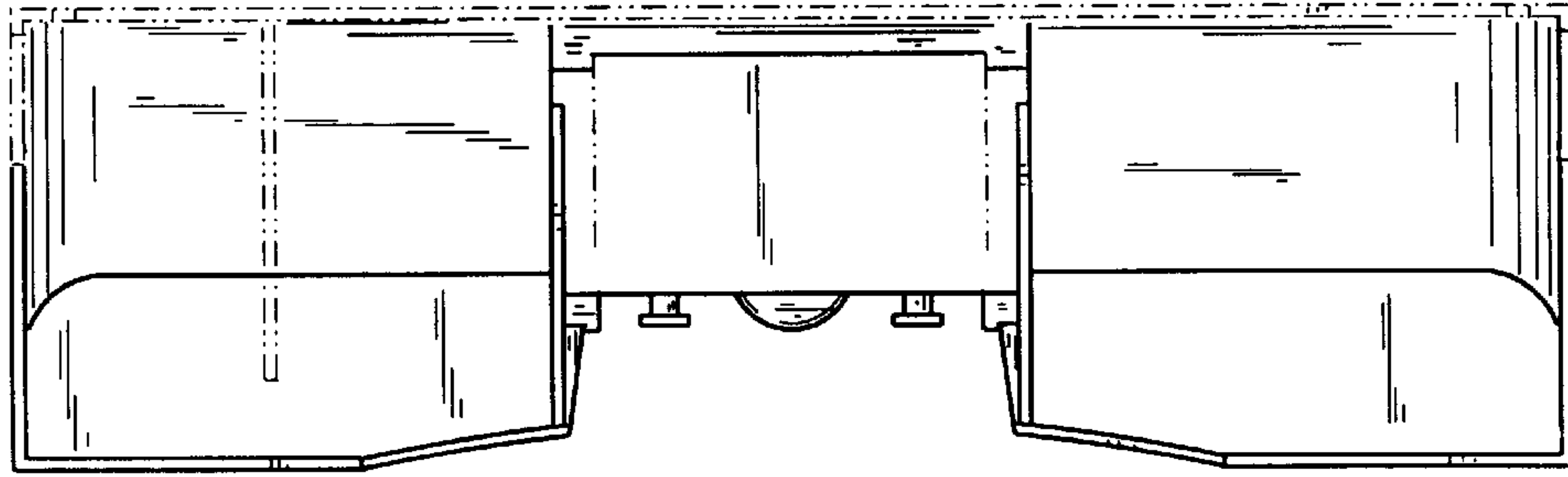


FIG. 5

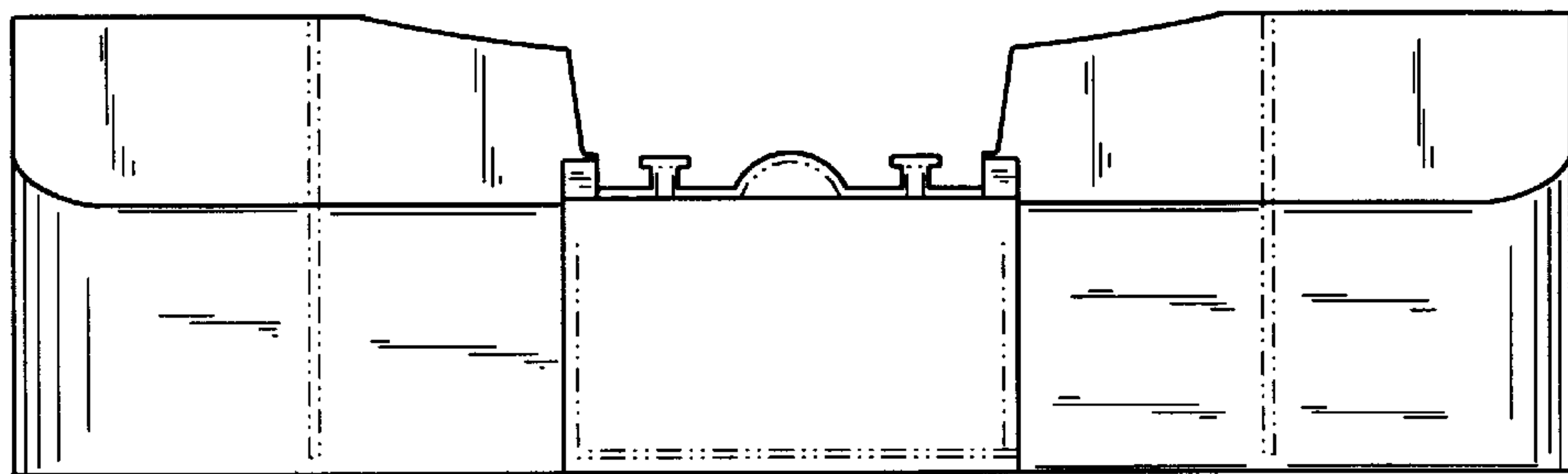


FIG. 6

