



US00D426571S

United States Patent [19]

[11] **Patent Number: Des. 426,571**

To

[45] **Date of Patent: ** Jun. 13, 2000**

[54] **RING BINDER**

[75] Inventor: **Chun Yuen To**, New Territories, The Hong Kong Special Administrative Region of the People's Republic of China

[73] Assignee: **World Wide Stationery Mfg., Co., Ltd.**, New Territories, The Hong Kong Special Administrative Region of the People's Republic of China

[**] Term: **14 Years**

[21] Appl. No.: **29/085,877**

[22] Filed: **Mar. 31, 1998**

[51] **LOC (7) Cl.** **19-02**

[52] **U.S. Cl.** **D19/27**

[58] **Field of Search** D19/26, 27, 32;
281/27.1, 27.2, 27.3, 45, 51; 402/26, 31,
41, 60, 70, 80 R, 75

[56] **References Cited**

U.S. PATENT DOCUMENTS

D. 382,593	8/1997	To	D19/32
D. 392,997	3/1998	Chan	D19/32
D. 405,113	2/1999	Ko	D19/32
D. 409,240	5/1999	Ko	D19/32
5,348,412	9/1994	Fuller	402/75

Primary Examiner—Nelson C. Holtje
Attorney, Agent, or Firm—Birch, Stewart, Kolasch & Birch, LLP

[57] **CLAIM**

The ornamental design for a ring binder, as shown and described.

DESCRIPTION

FIG. 1 is a perspective view of a first embodiment of the ring binder of the present invention;
 FIG. 2 is a top plan view thereof;
 FIG. 3 is a right side view thereof (the left side being identical);
 FIG. 4 is an end view thereof (the other end being identical);
 FIG. 5 is a perspective view of a second embodiment of the ring binder of the present invention;
 FIG. 6 is a top plan view thereof;
 FIG. 7 is a right side view thereof (the left side being identical);
 FIG. 8 is an end view thereof (the other end being identical);
 FIG. 9 is a perspective view of a third embodiment of the ring binder of the present invention;
 FIG. 10 is a top plan view thereof;
 FIG. 11 is a right side view thereof (the left side being identical); and,
 FIG. 12 is an end view thereof (the other end being identical).

1 Claim, 6 Drawing Sheets

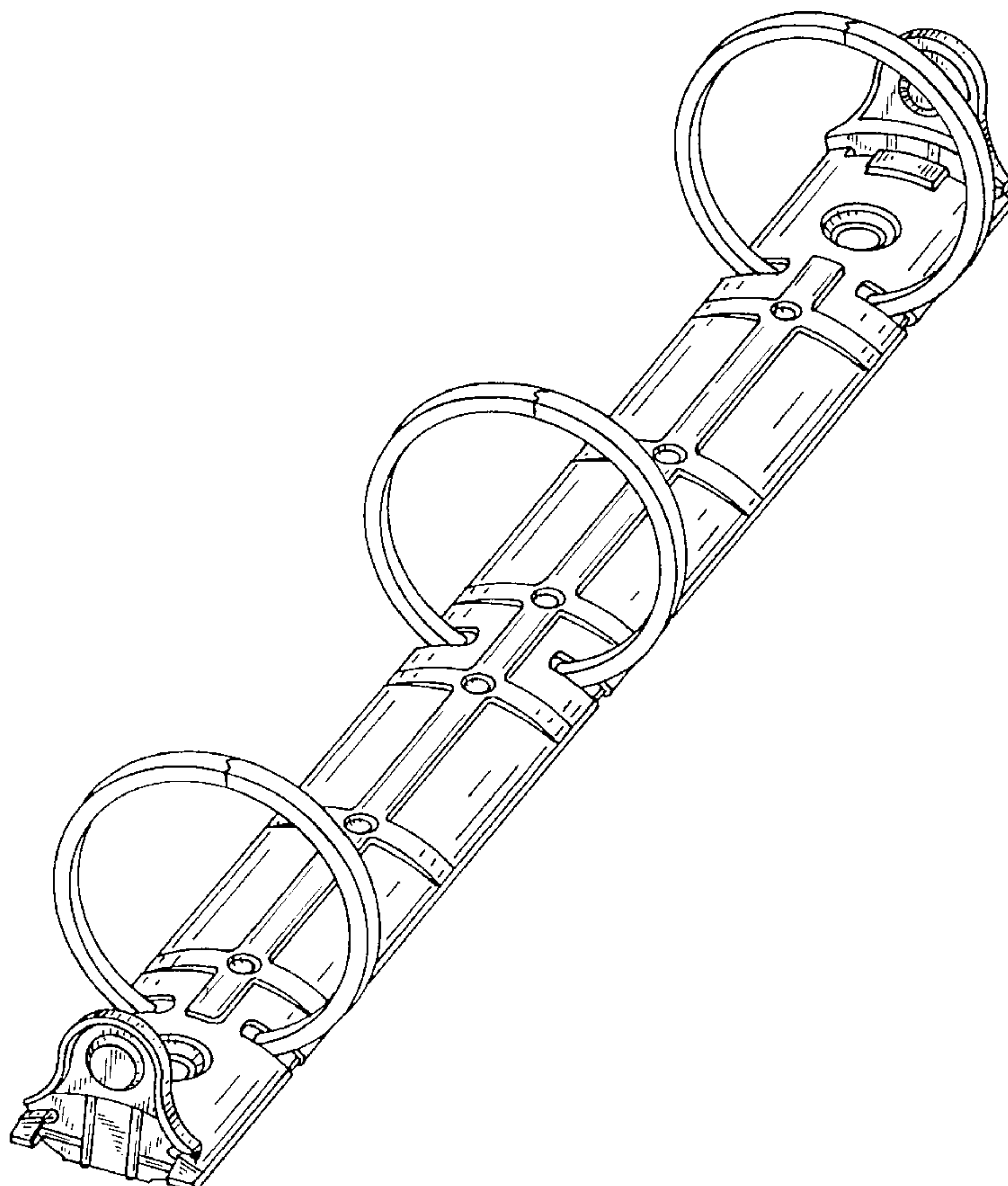


FIG. 1

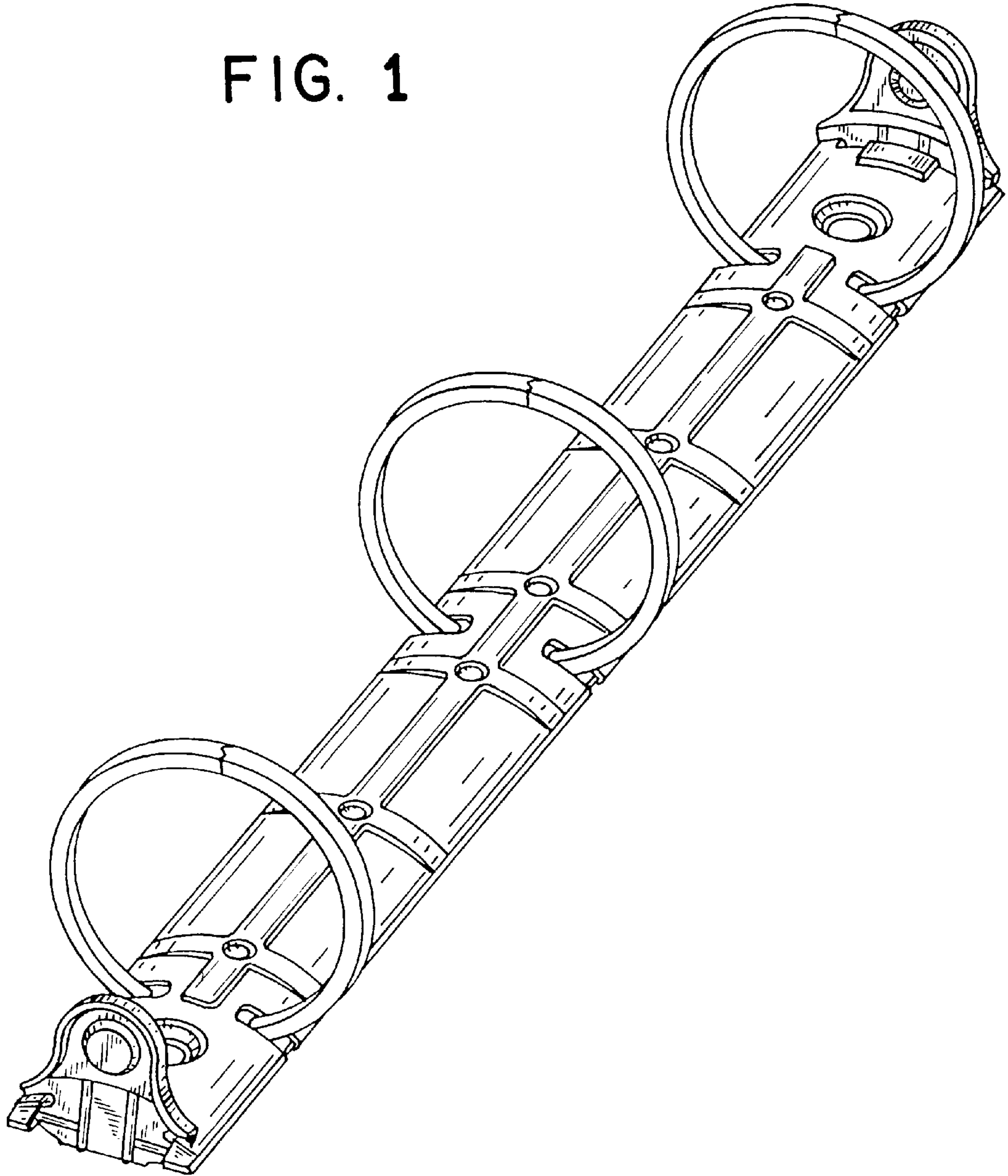


FIG. 2

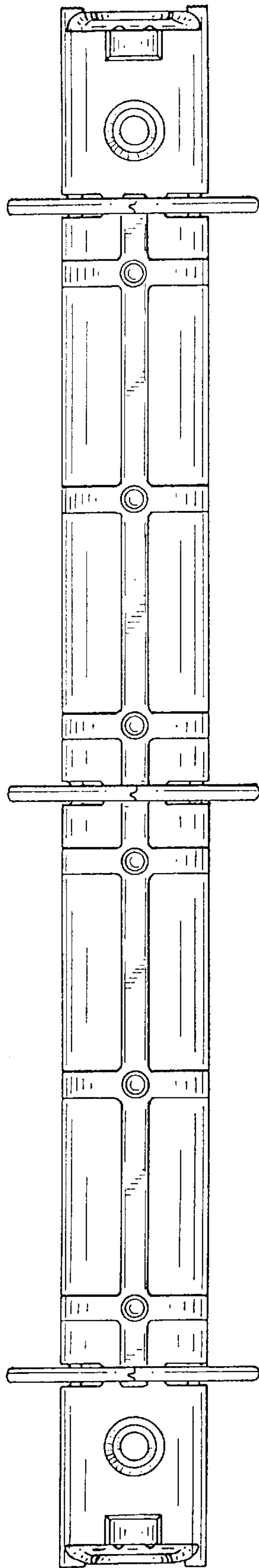


FIG. 3

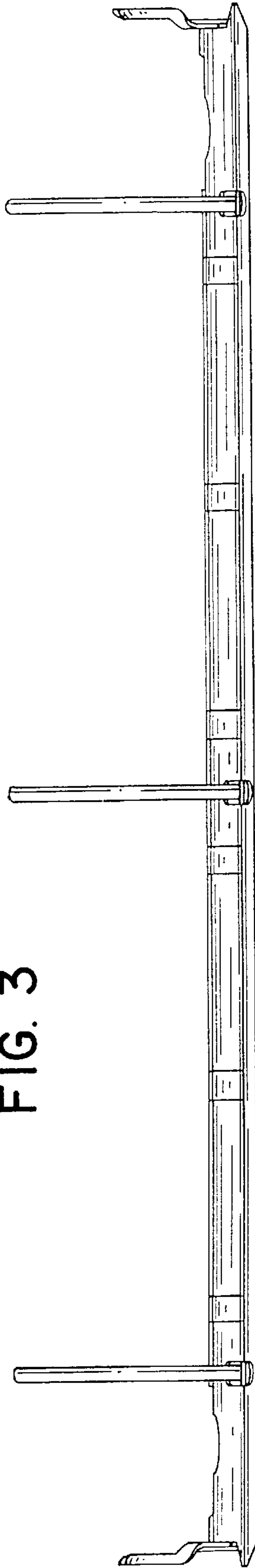


FIG. 4

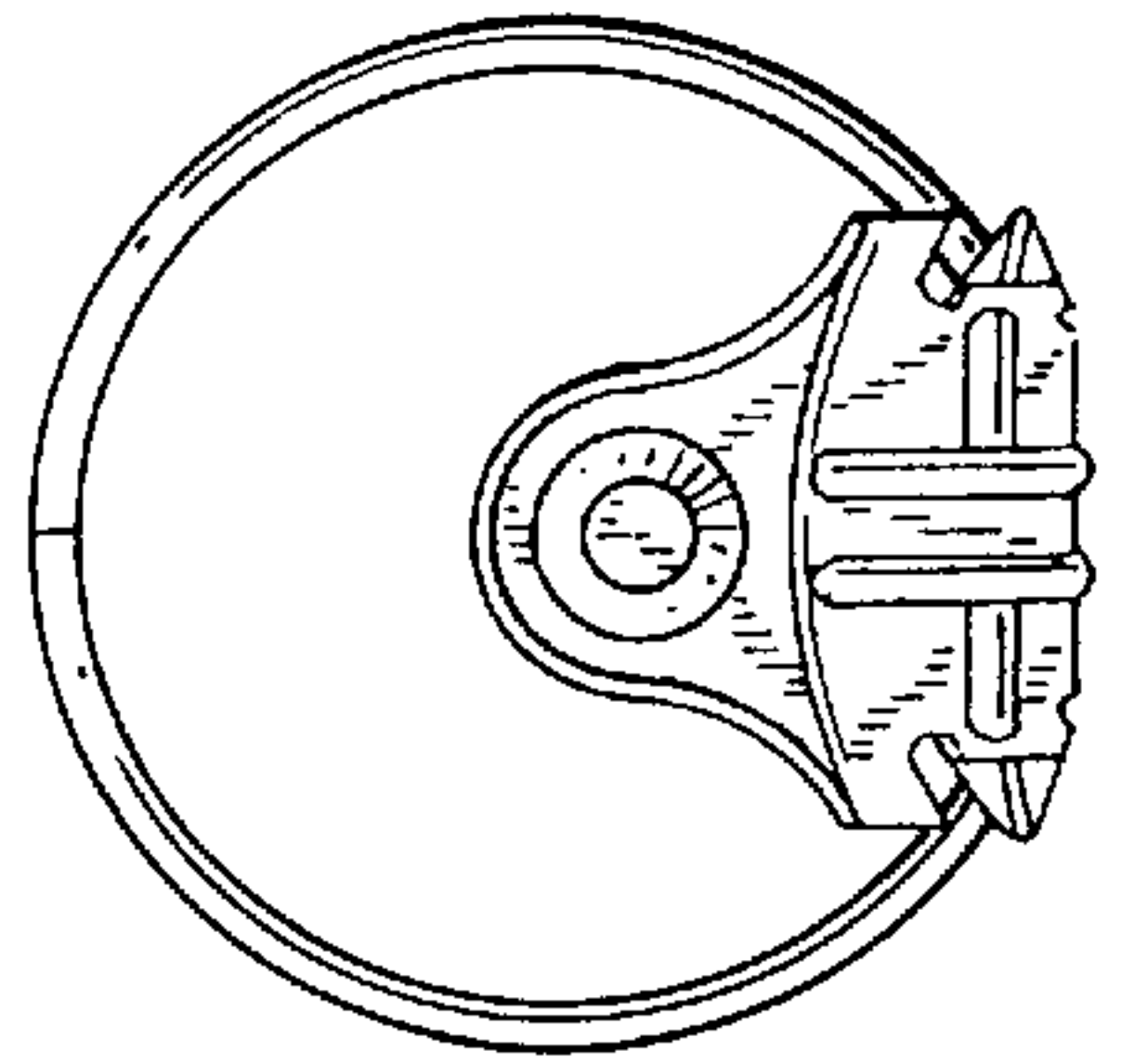


FIG. 5

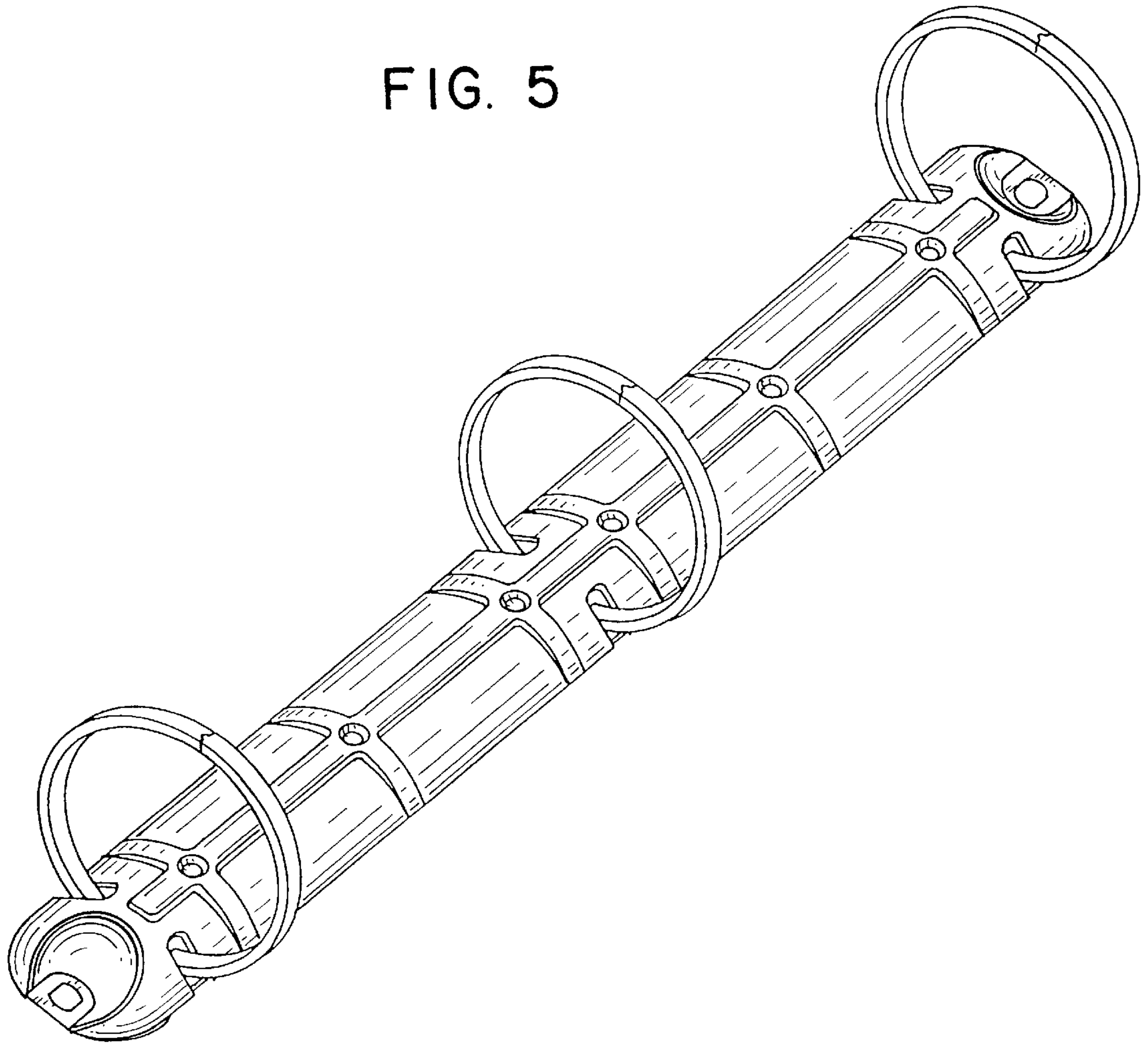


FIG. 6

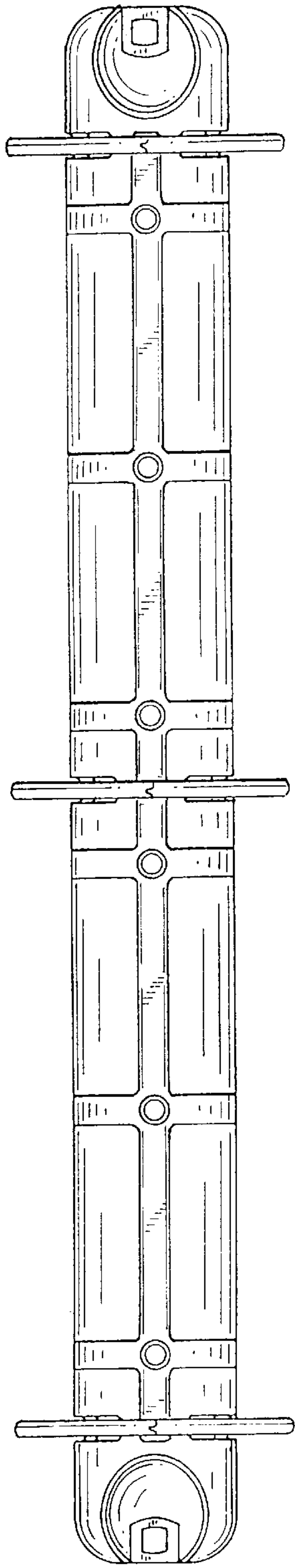


FIG. 7

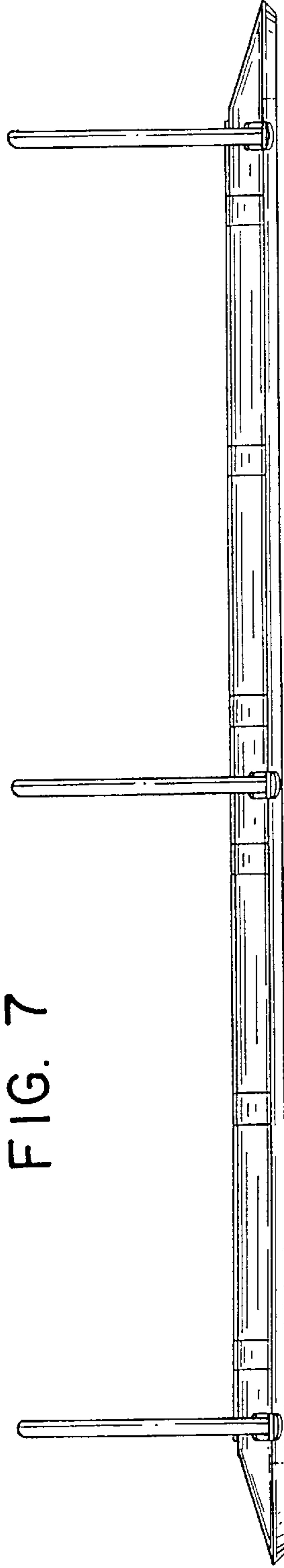


FIG. 8

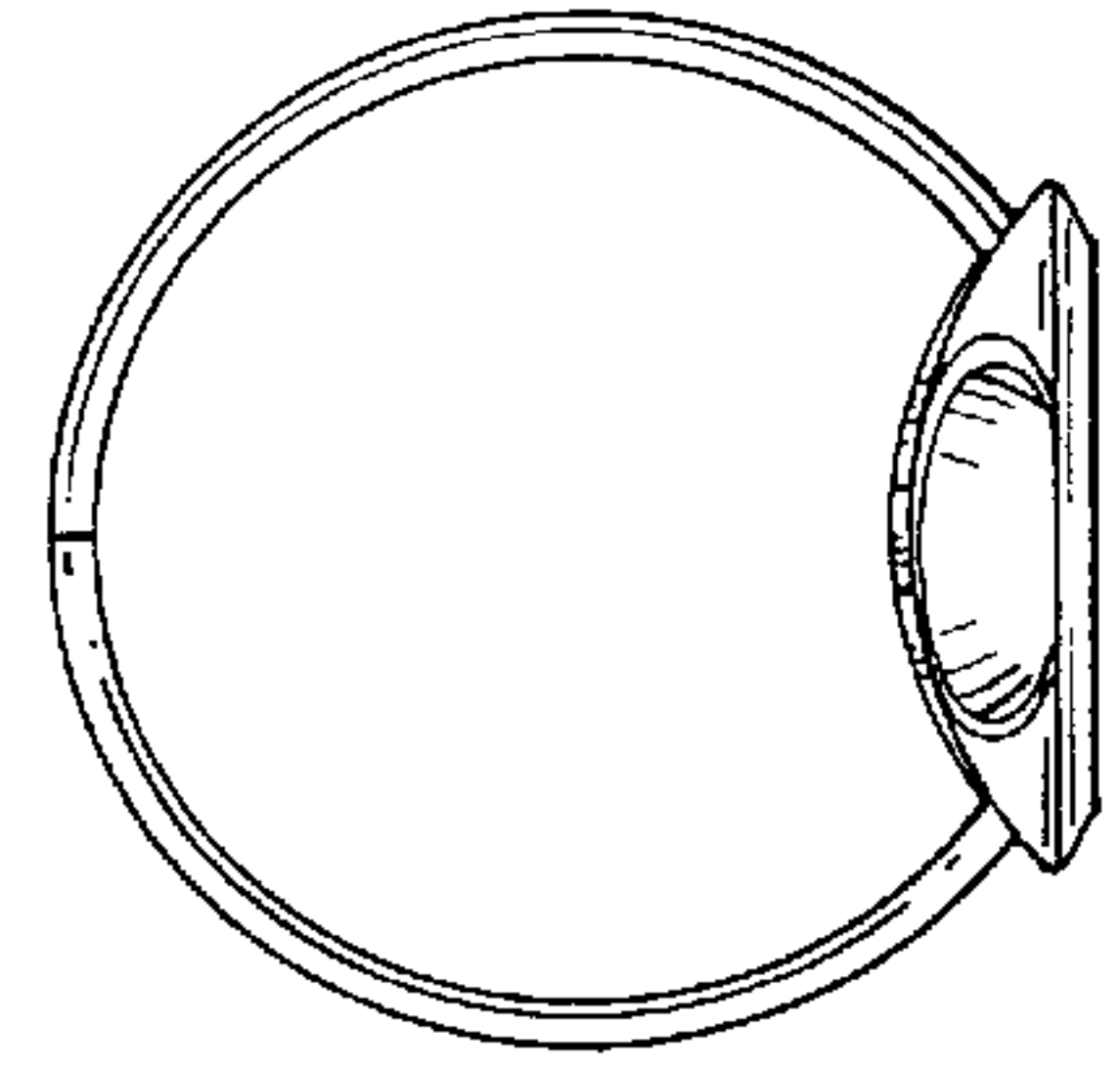


FIG. 9

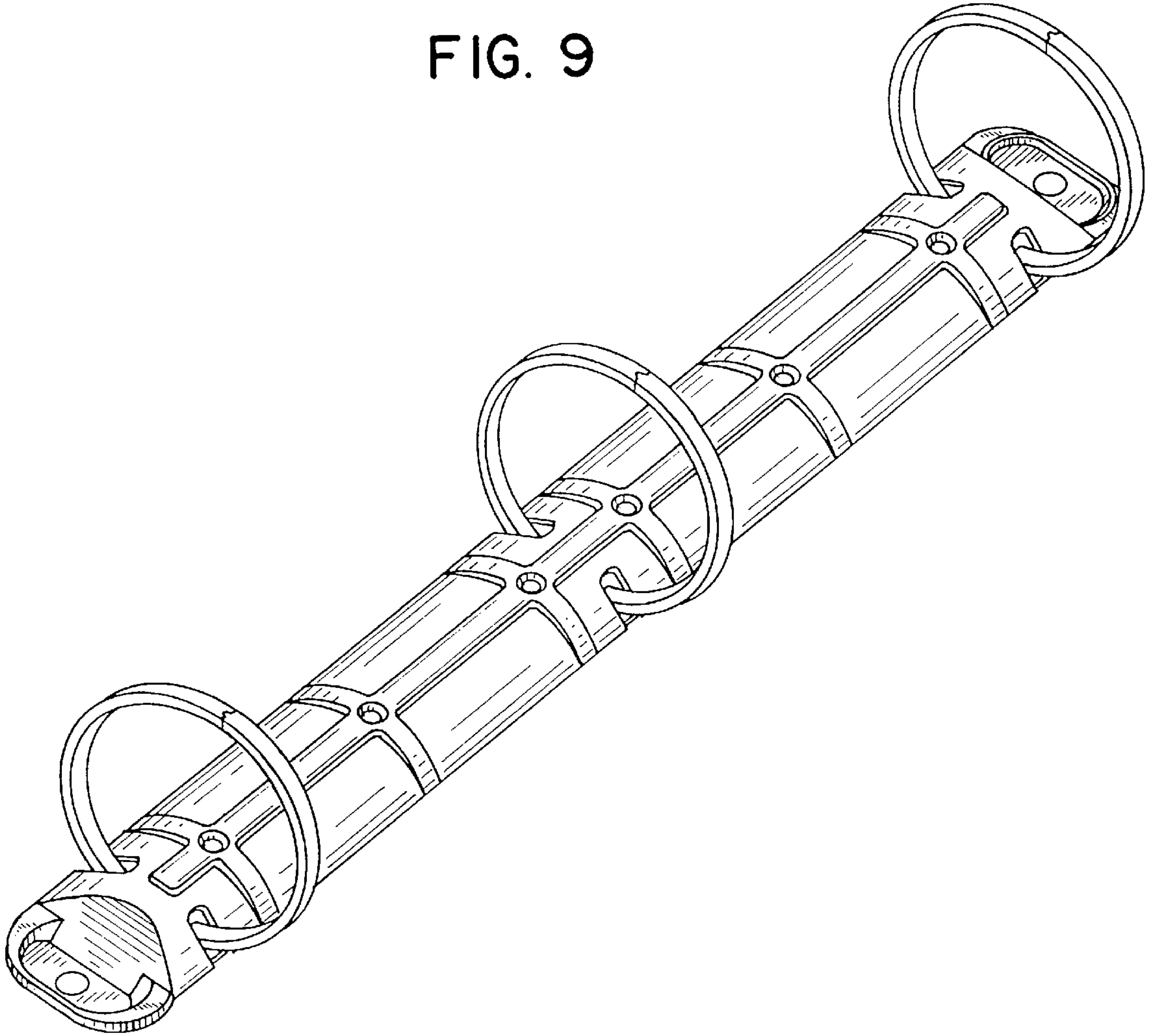


FIG. 10

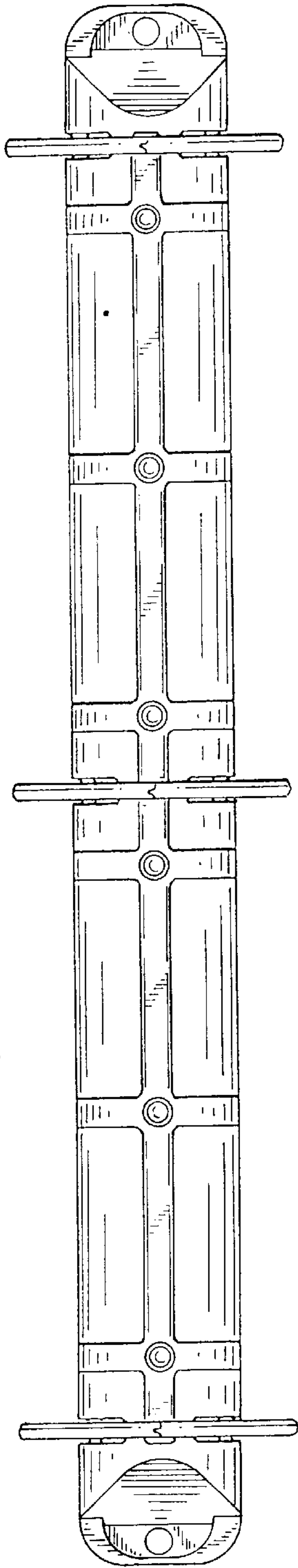


FIG. 11

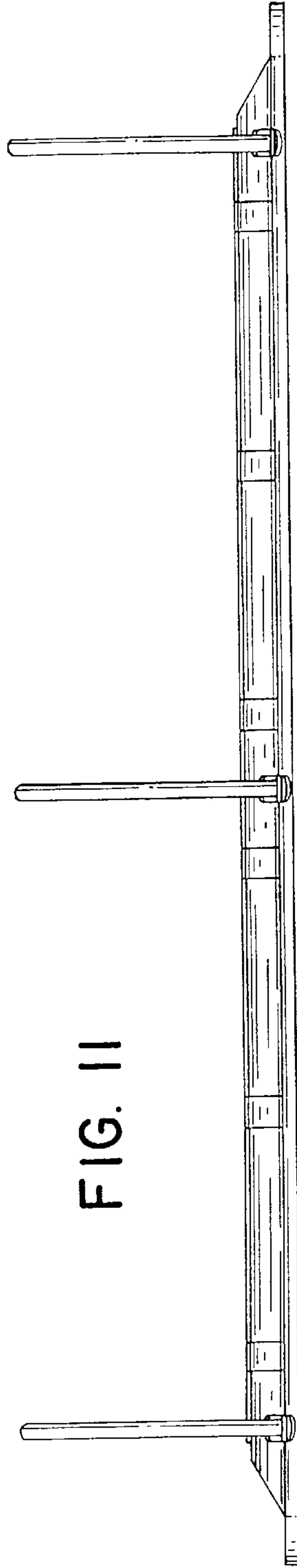


FIG. 12

