



US00D426564S

United States Patent [19] Rose

[11] **Patent Number: Des. 426,564**

[45] **Date of Patent: ** Jun. 13, 2000**

[54] **HOLOGRAM DISPLAY**

[75] Inventor: **James R. Rose**, Loudon, Tenn.

[73] Assignee: **Koala Technology, Inc.**, Loudon, Tenn.

[**] Term: **14 Years**

[21] Appl. No.: **29/106,872**

[22] Filed: **Jun. 24, 1999**

[51] **LOC (7) Cl.** **16-99**

[52] **U.S. Cl.** **D16/130**

[58] **Field of Search** D16/130; 359/1,
359/10; 362/296, 135; D14/100; D20/10;
40/513; D6/300, 308

[56] **References Cited**

U.S. PATENT DOCUMENTS

D. 227,970	7/1973	Davidoff	D6/300
D. 270,062	8/1983	Ackeret	D6/300
4,254,451	3/1981	Cochran, Jr.	.	
4,889,780	12/1989	Cosner	359/10
5,173,724	12/1992	Bonham et al.	359/1
5,546,198	8/1996	Van Der Giracht et al.	359/1

OTHER PUBLICATIONS

Drawings from pending patent application Ser. No. 09/006, 041; filed Jan. 12, 1998 of James R. Rose.

Drawings from pending patent application Ser. No. 09/152, 307; filed Sep. 14, 1998 of James R. Rose.

Drawings from pending patent application Ser. No. 29/105, 877, filed Jun, 7, 1999 of James R. Rose.

Primary Examiner—Paula A. Mortimer

[57] **CLAIM**

The ornamental design for a hologram display, as shown and described.

DESCRIPTION

FIG. 1 is a front elevational view of a hologram display embodying my design;

FIG. 2 is a top plan view of FIG. 1;

FIG. 3 is a bottom plan view of FIG. 1;

FIG. 4 is a right side elevational view of FIG. 1;

FIG. 5 is a rear elevational view of FIG 1;

FIG. 6 is a front elevational view of a second embodiment of a hologram display embodying my design;

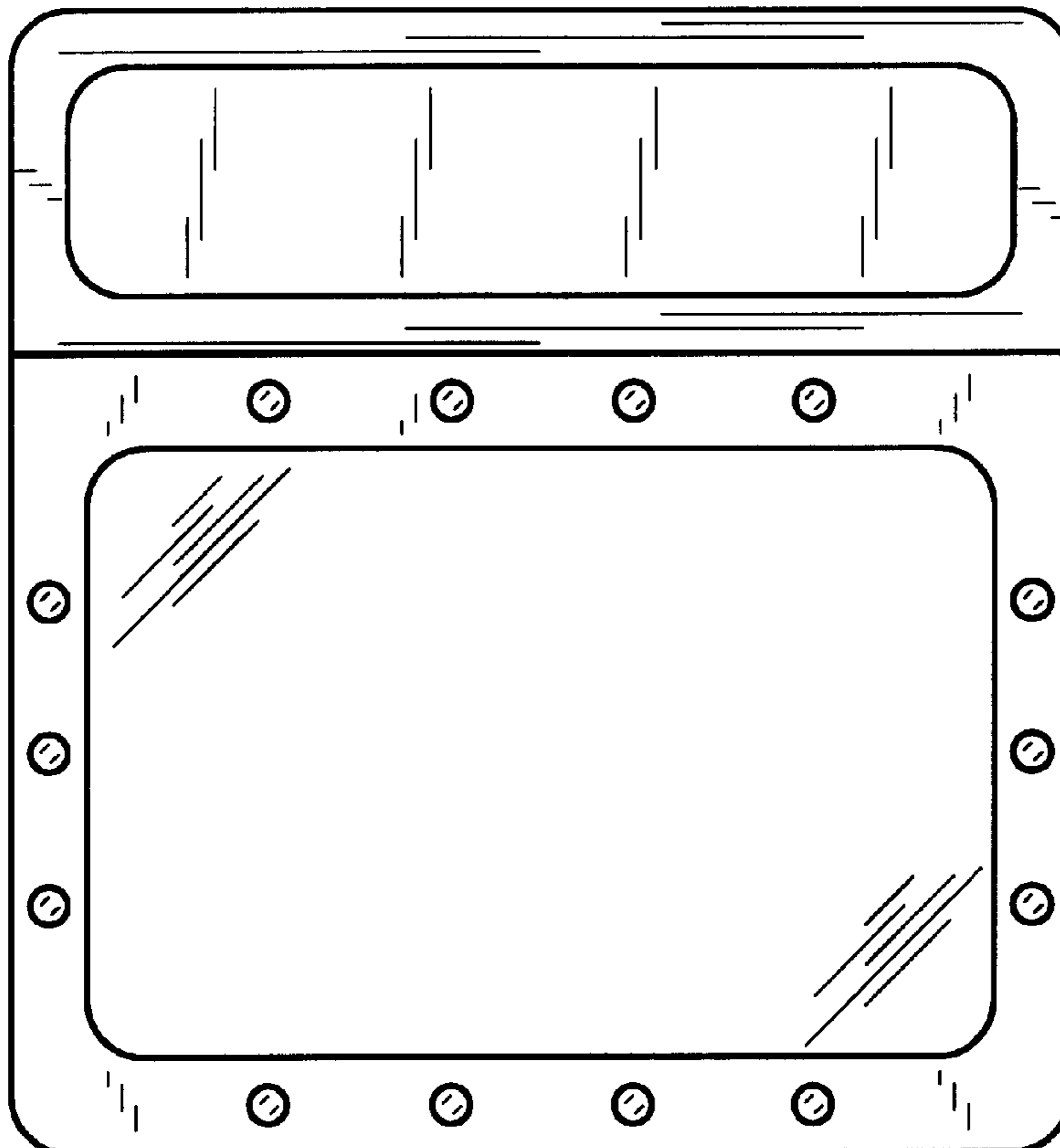
FIG. 7 is a top plan view of FIG. 6;

FIG. 8 is a bottom plan view of FIG 6;

FIG. 9 is a right side elevational view of FIG 6; and,

FIG. 10 is rear elevational view of FIG. 6.

1 Claim, 4 Drawing Sheets



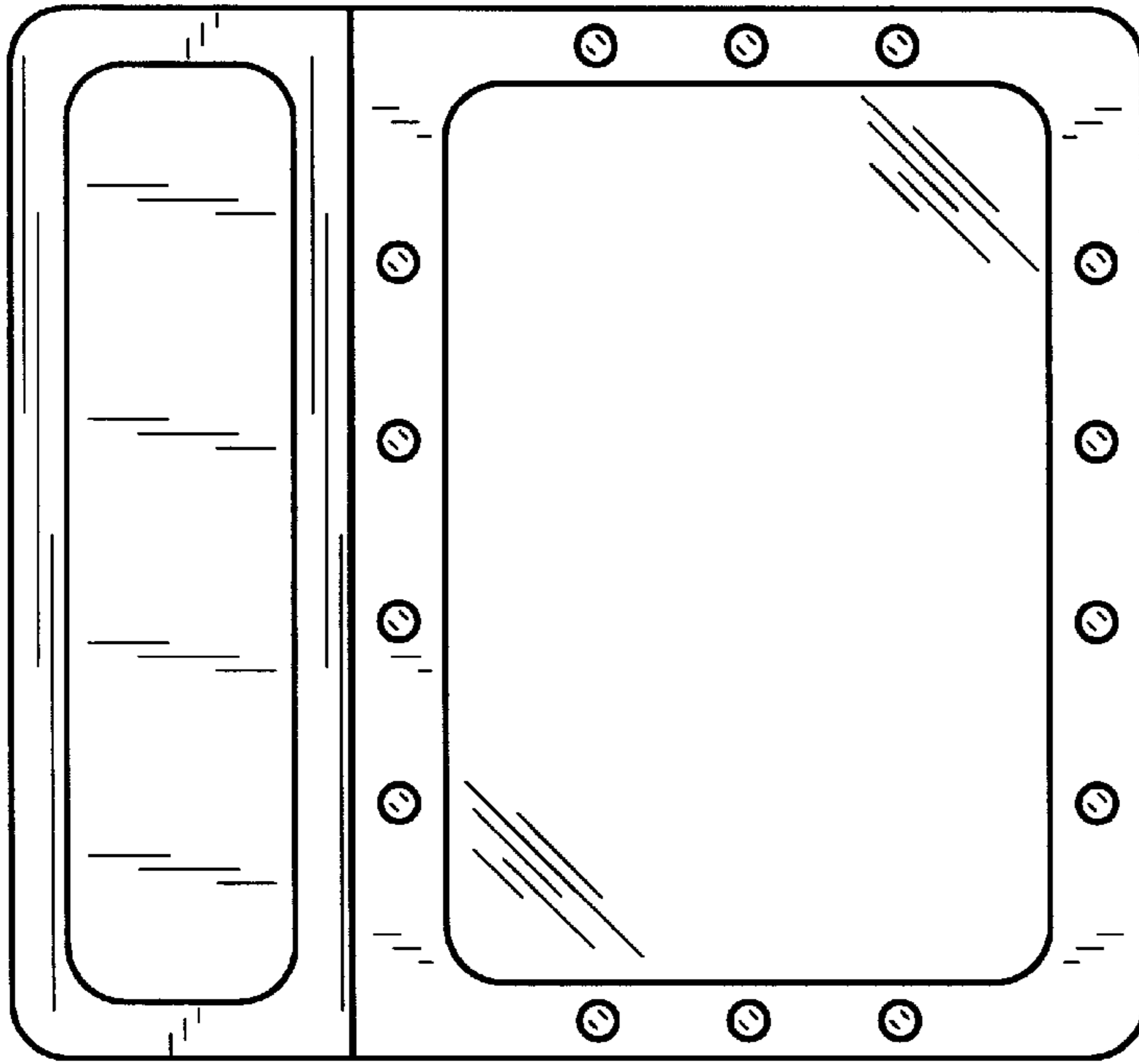


FIG. 1

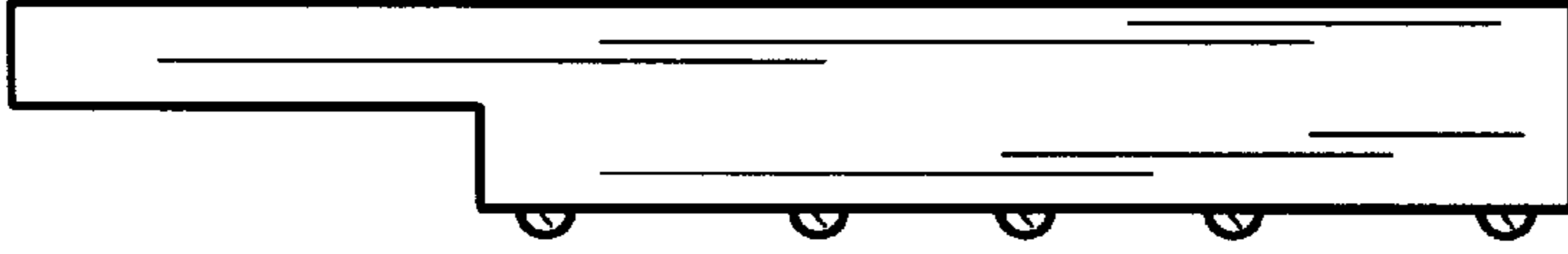


FIG. 4

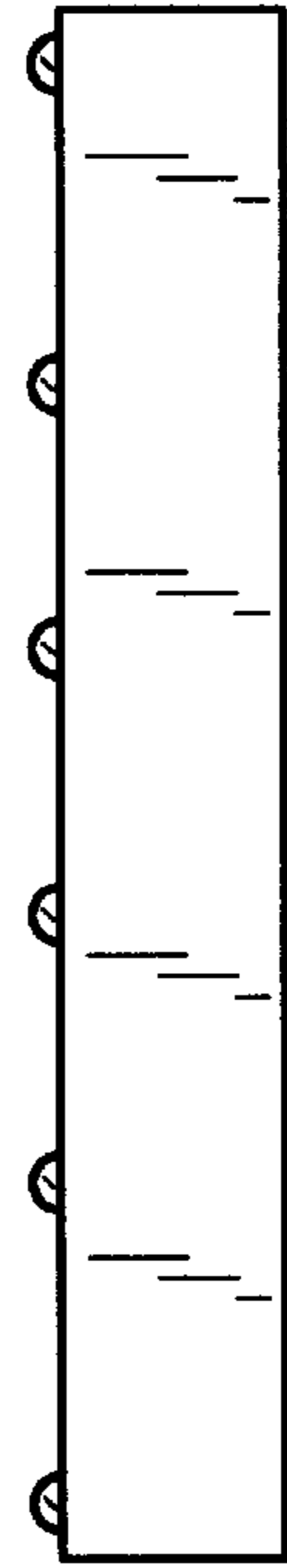


FIG. 3

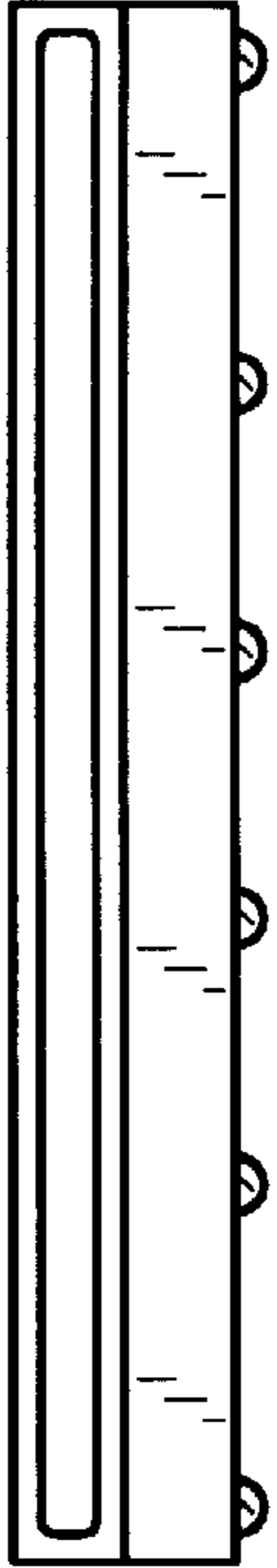


FIG. 2

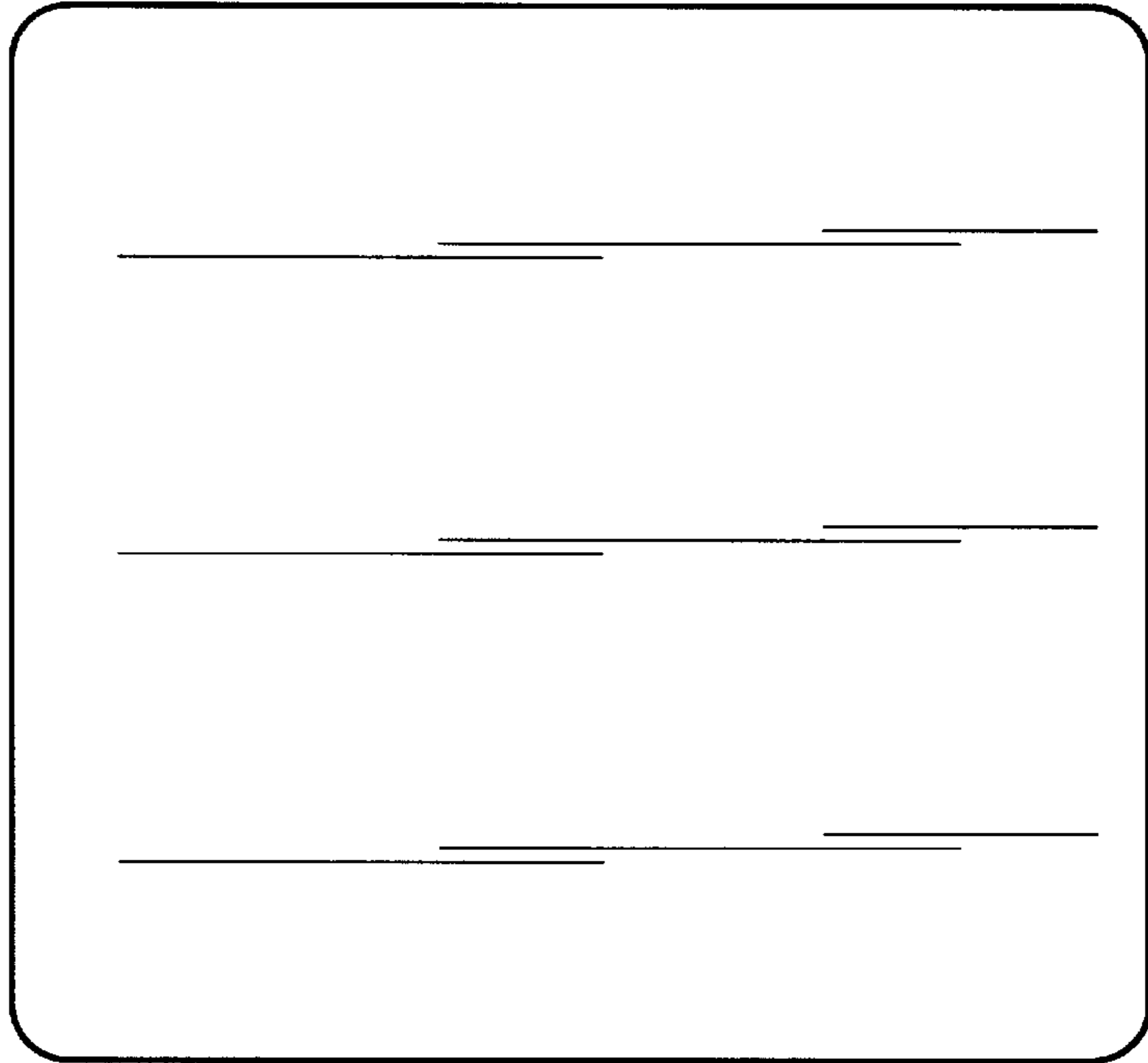


FIG. 5

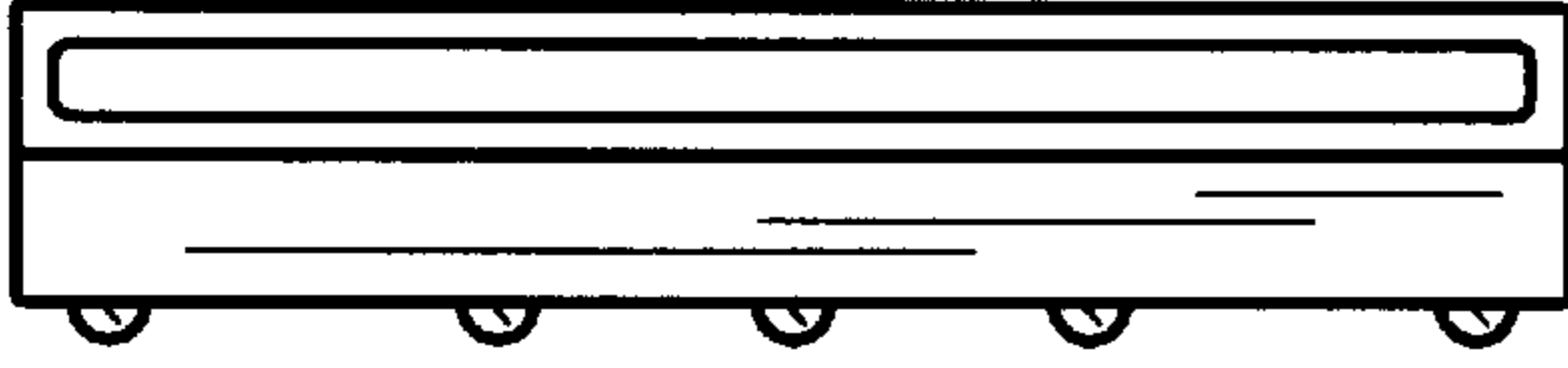


FIG. 8

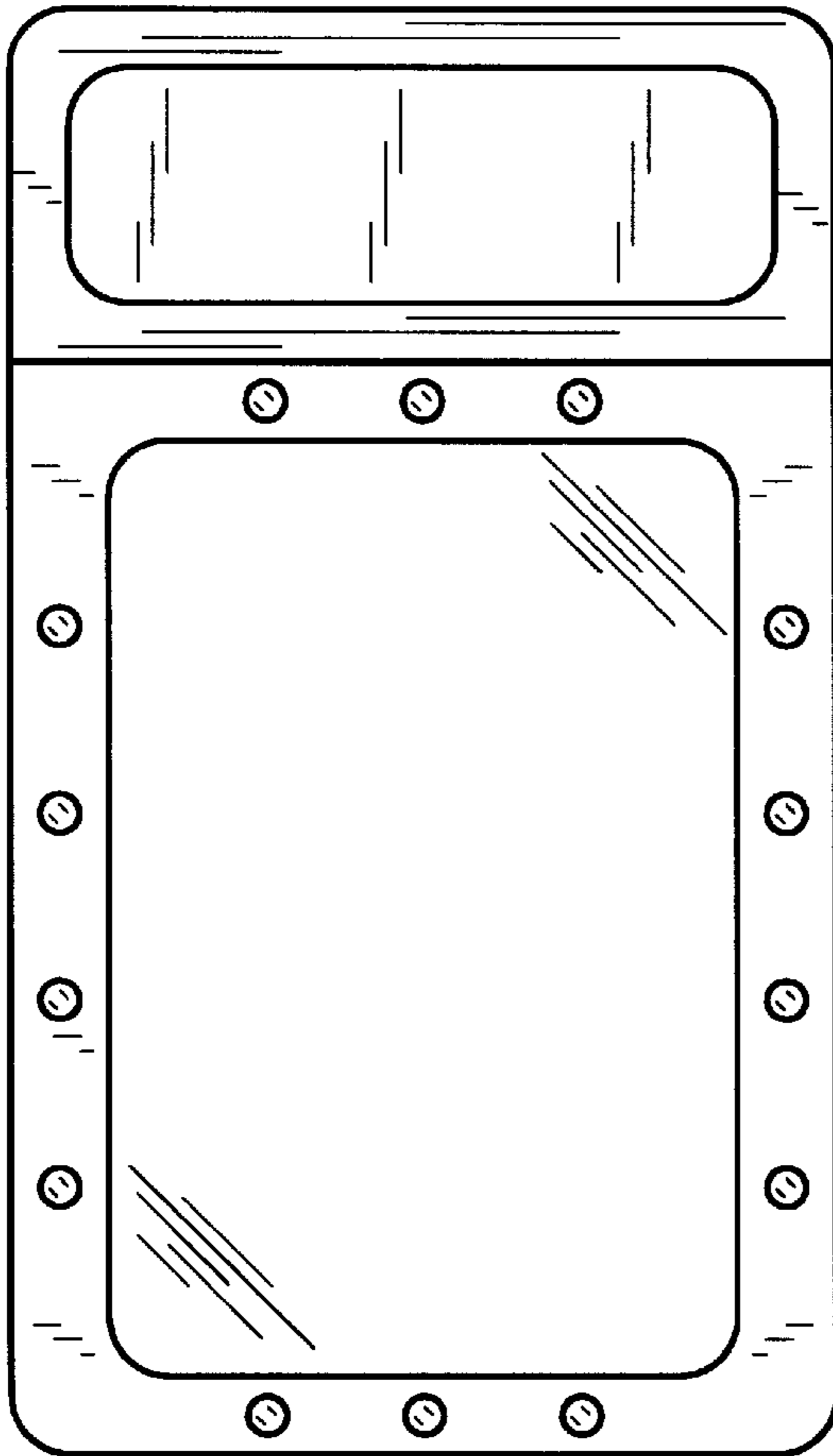


FIG. 6

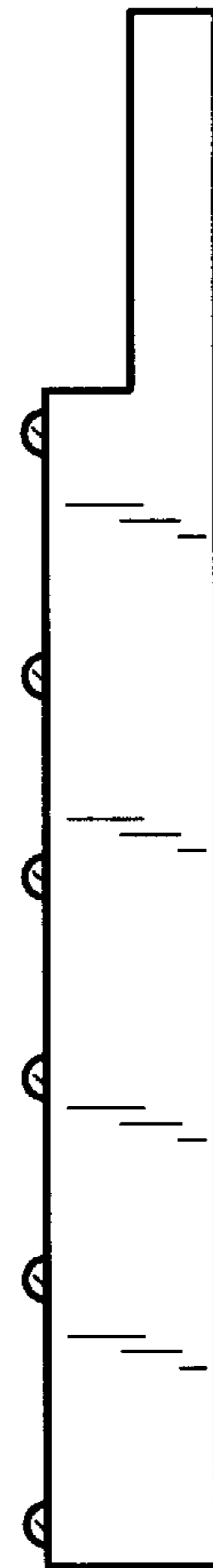


FIG. 7

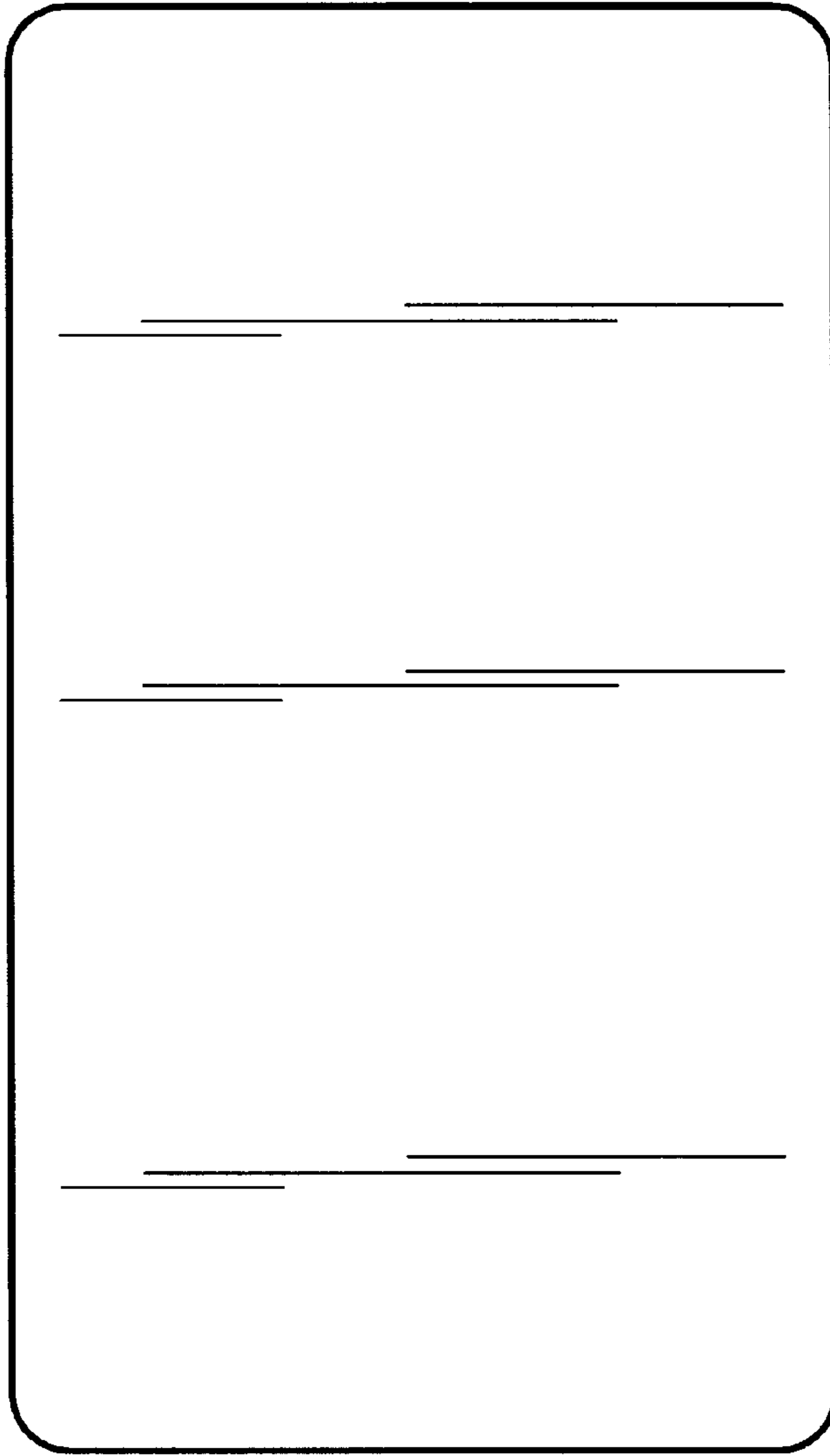


FIG. 9

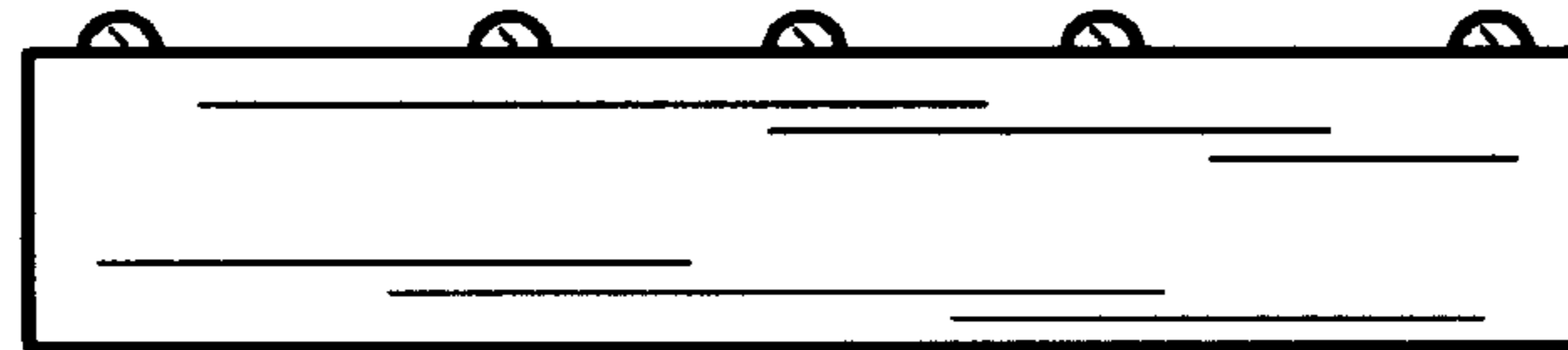


FIG. 10