



US00D426563S

United States Patent [19] Yang

[11] **Patent Number: Des. 426,563**

[45] **Date of Patent: ** Jun. 13, 2000**

[54] **AUTOMATIC CAPSULE ARRANGING MACHINE**

[76] Inventor: **Yi-Teh Yang**, 44, Lane 19, Chilung Rd., Ta-Li City, Taichung Hsien, Taiwan

[**] Term: **14 Years**

[21] Appl. No.: **29/096,578**

[22] Filed: **Nov. 16, 1998**

[51] **LOC (7) Cl.** **15-09**

[52] **U.S. Cl.** **D15/145; D10/97**

[58] **Field of Search** **D10/97; D15/145, D15/146; 414/403, 675; 453/33, 30, 58**

[56] **References Cited**

U.S. PATENT DOCUMENTS

D. 337,539 7/1993 Leamon D10/97
5,890,868 4/1999 Comardo 414/675 X

Primary Examiner—Antoine Duval Davis
Attorney, Agent, or Firm—Bacon & Thomas, PLLC

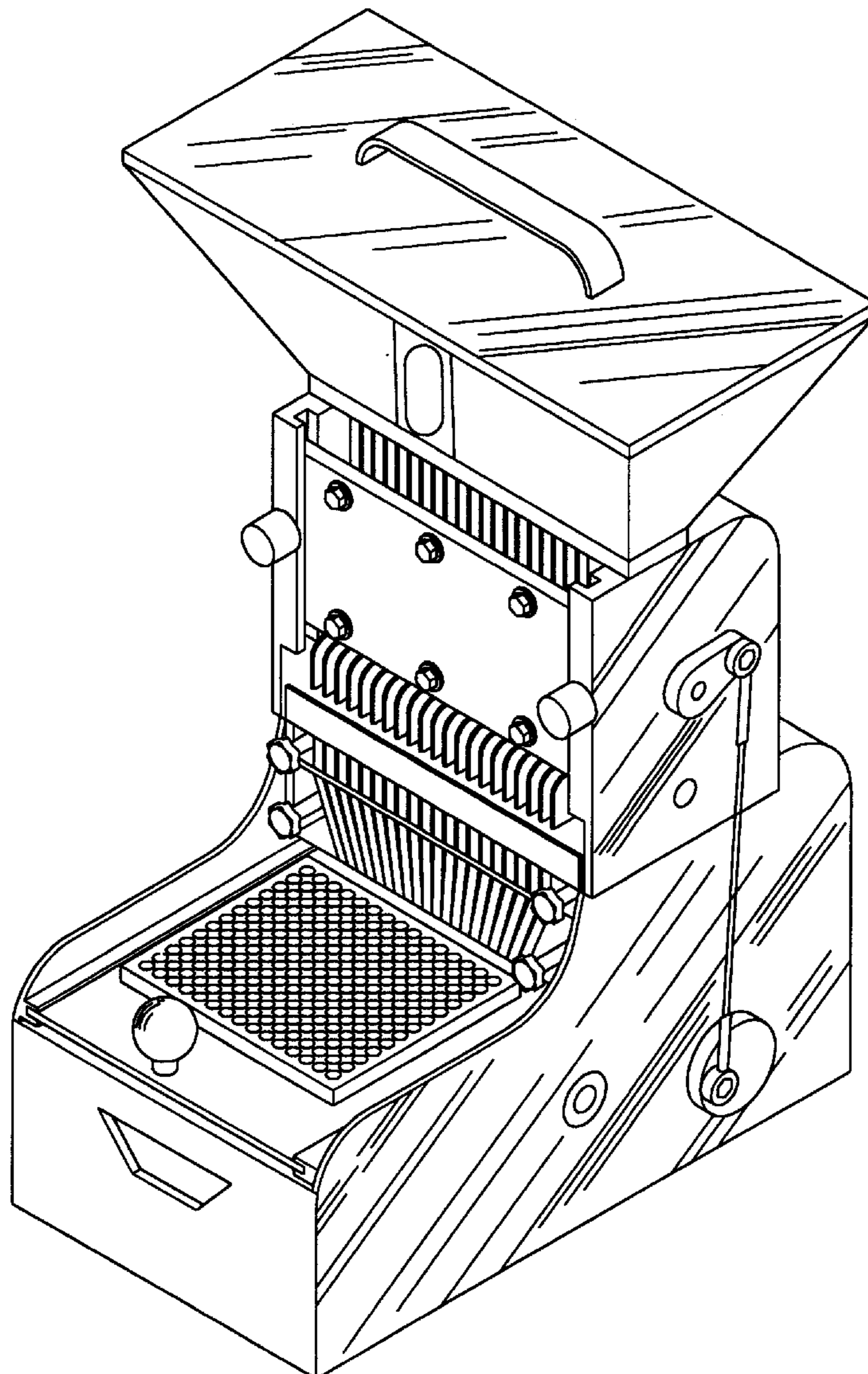
[57] **CLAIM**

The ornamental design for an automatic capsule arranging machine, as shown and described.

DESCRIPTION

FIG. 1 is a perspective view of my new design; FIG. 2 is a reduced left elevational view of my new design; FIG. 3 is a reduced right elevational view of my new design; FIG. 4 is a reduced front elevational view of my new design; FIG. 5 is a reduced rear elevational view of my new design; FIG. 6 is a reduced top elevational view of my new design; FIG. 7 is a reduced bottom plan view of my new design; and, FIG. 8 is a perspective view showing capsule arranging. The broken line showing of capsules are for illustrative purposes only and forms no part of the claimed design.

1 Claim, 8 Drawing Sheets



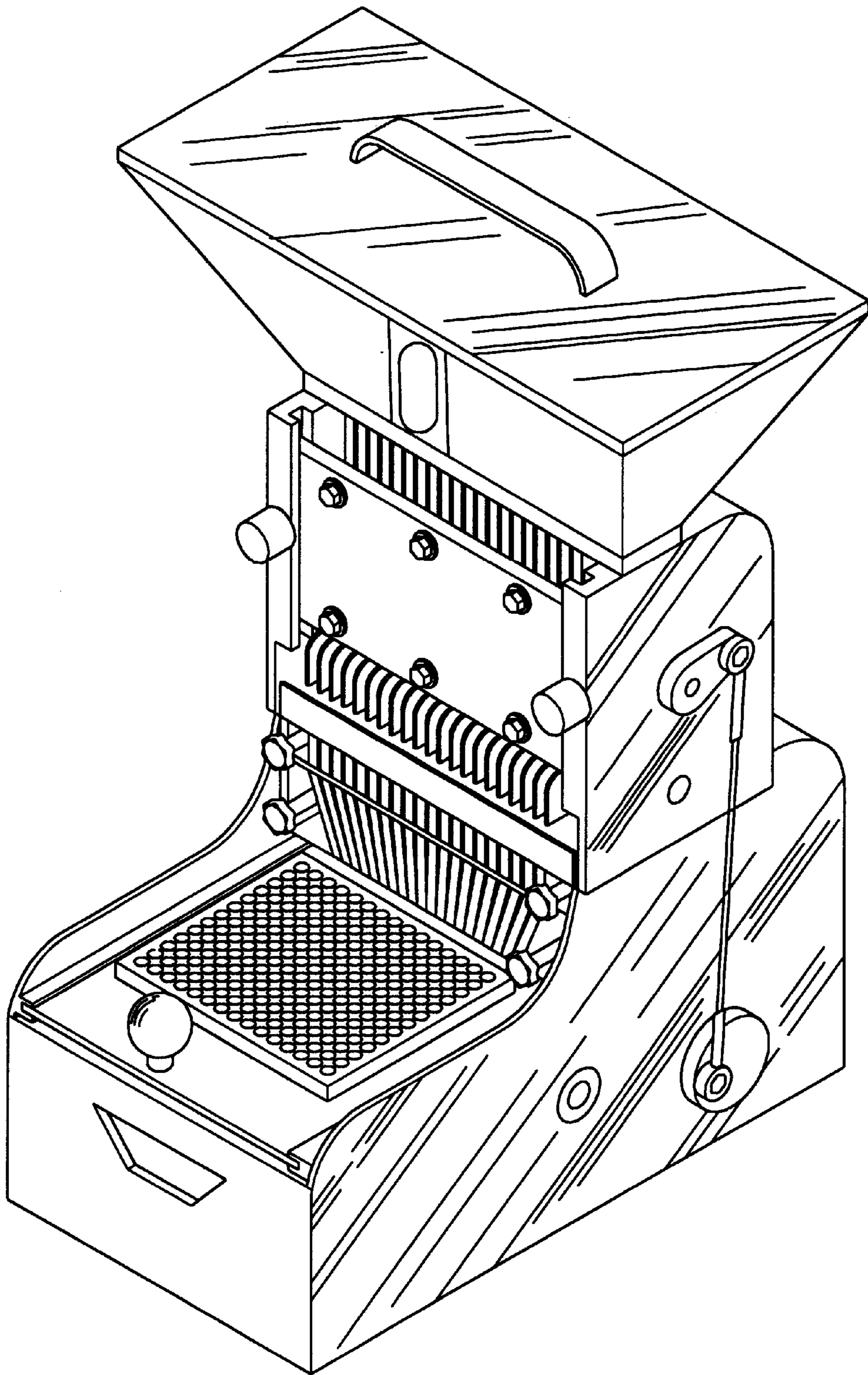


FIG 1

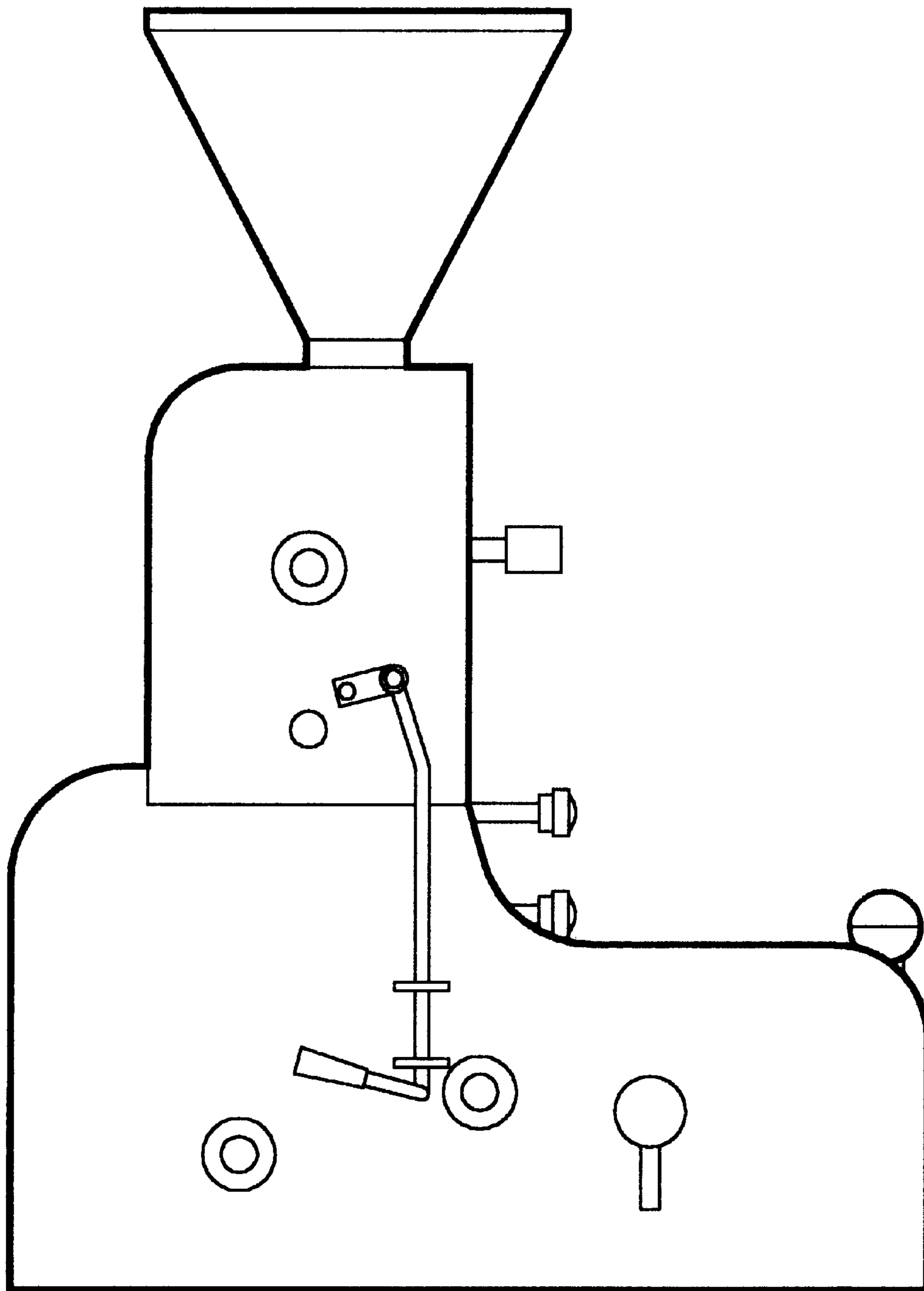


FIG 2

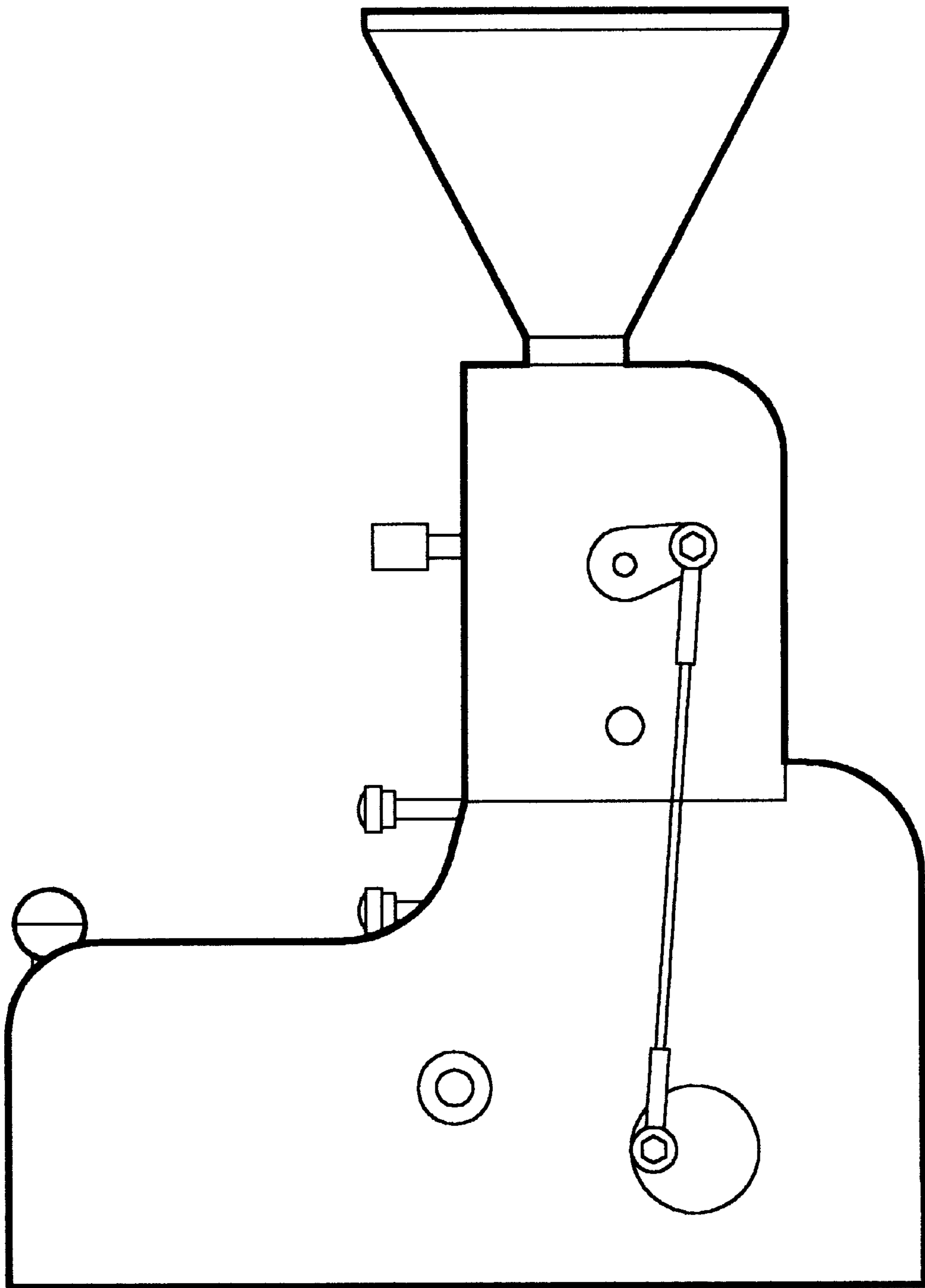


FIG 3

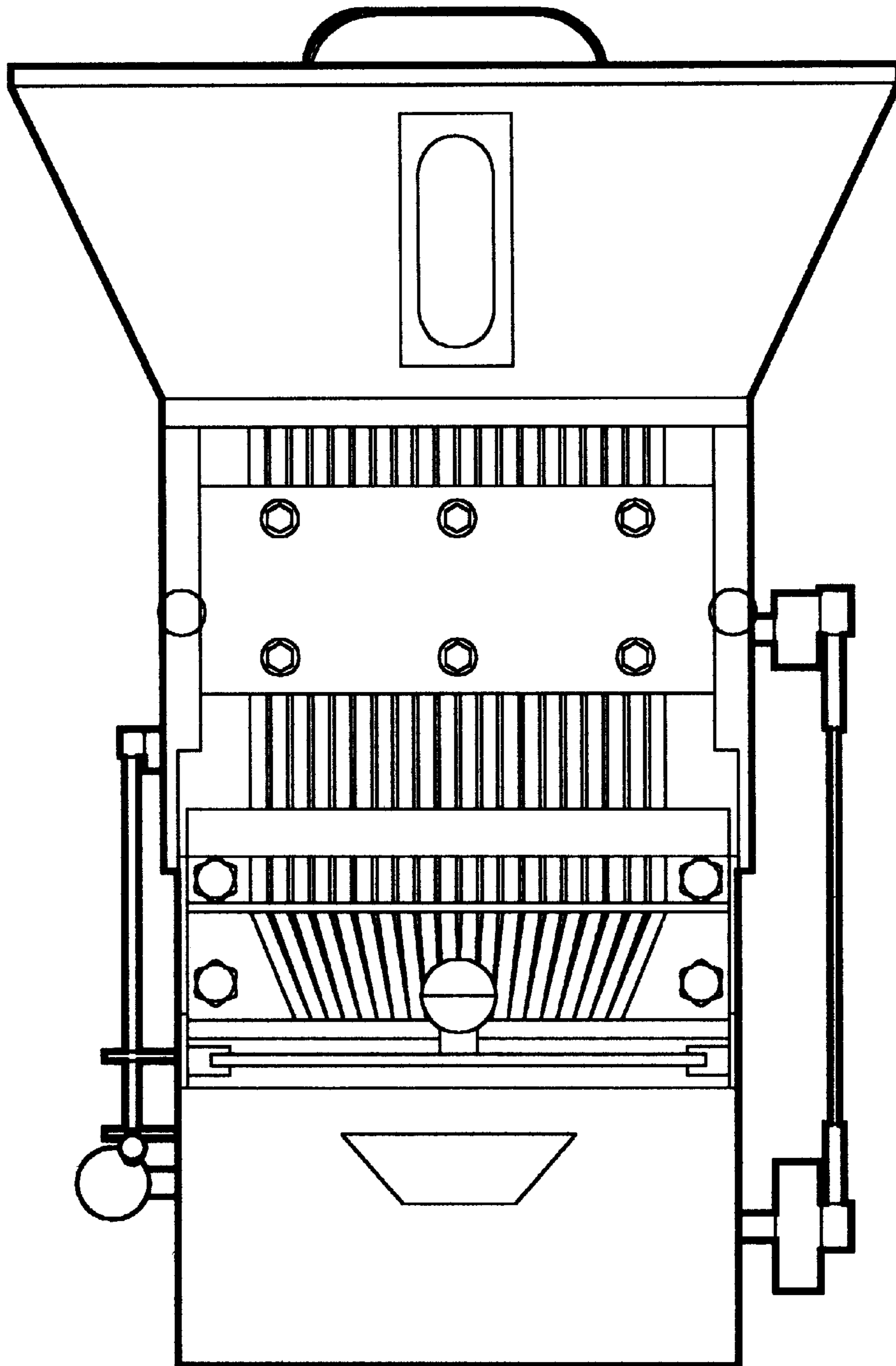


FIG 4

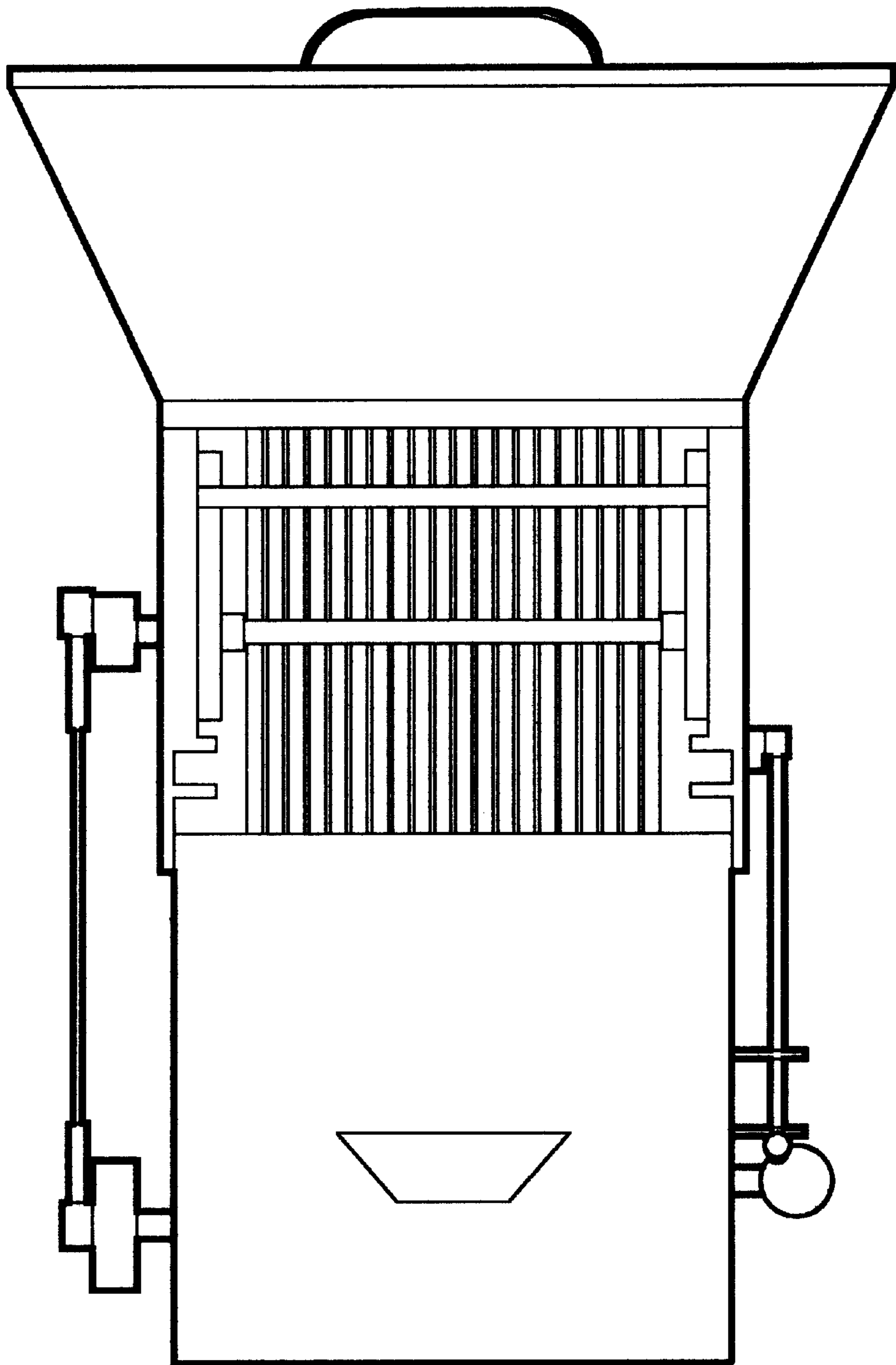


FIG 5

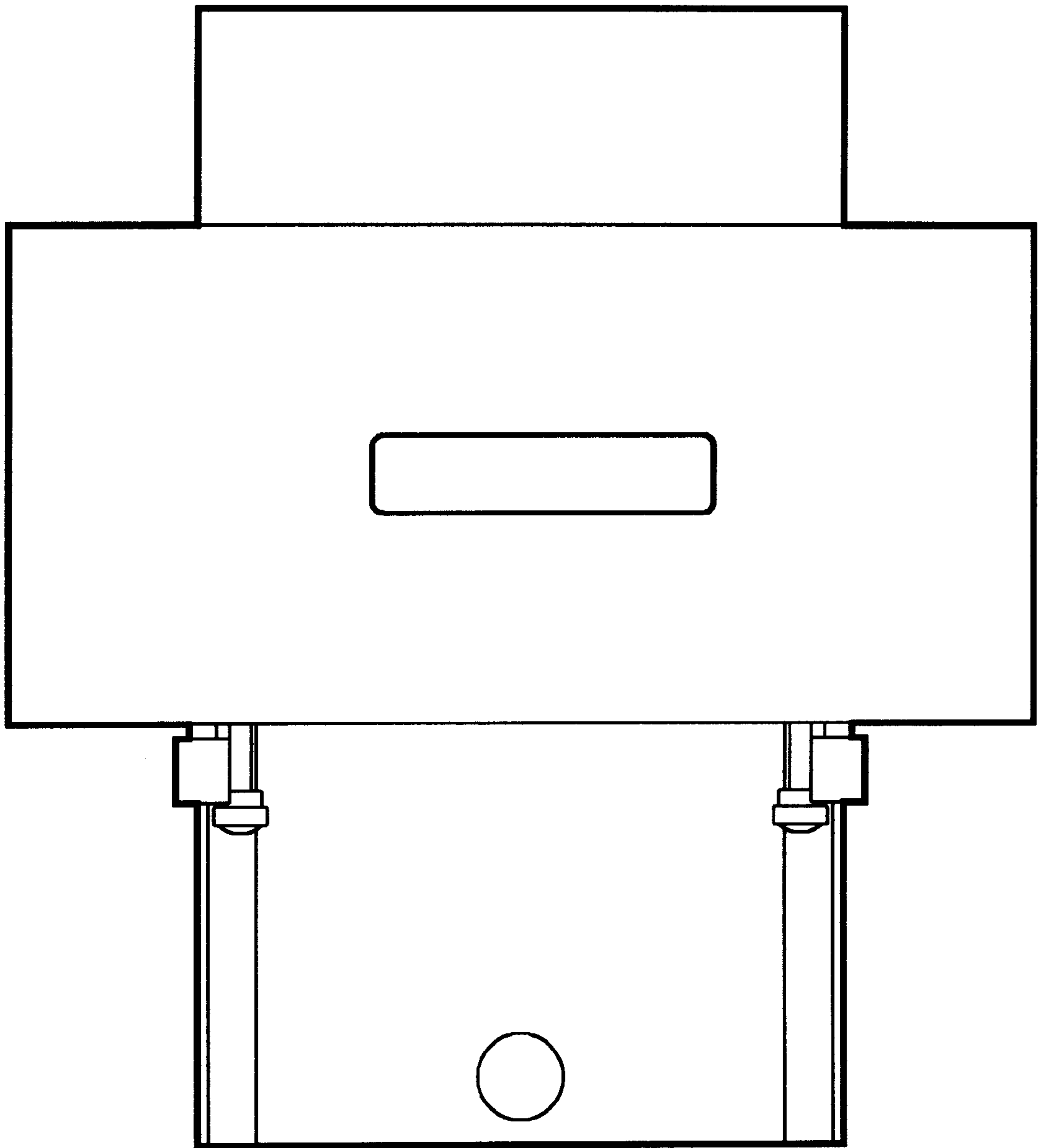


FIG 6

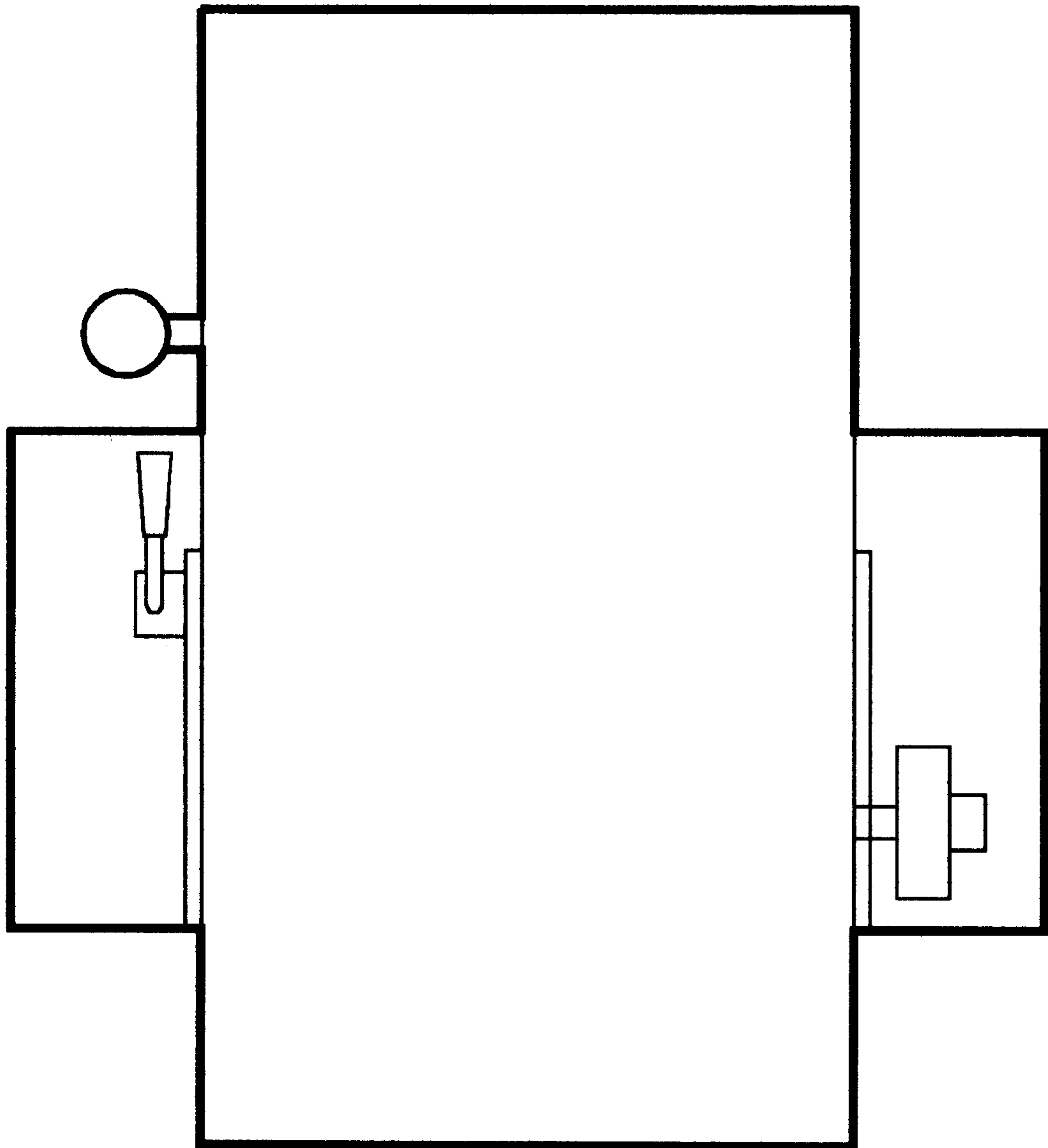


FIG 7

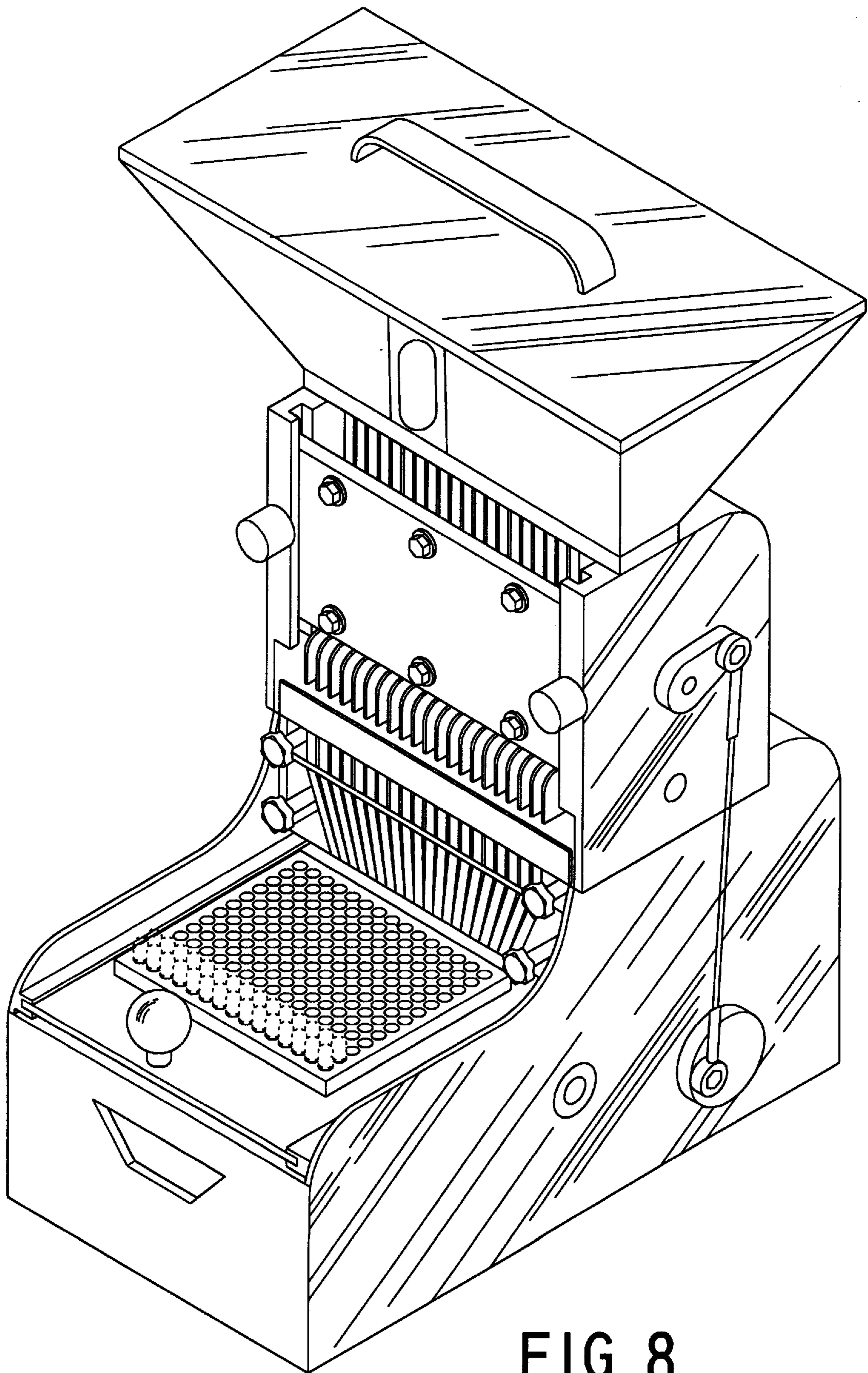


FIG 8