



US00D426559S

# United States Patent [19]

Christensen et al.

[11] **Patent Number: Des. 426,559**

[45] **Date of Patent: \*\* Jun. 13, 2000**

[54] **CARTON BOTTOM SEALING PLATEN**

[75] Inventors: **Charles Christensen**, Centuria, Wis.;  
**Mats Johansson**, Veberod, Sweden

[73] Assignee: **Tetra Laval Holdings & Finance, SA**,  
Pully, Switzerland

[\*\*] Term: **14 Years**

[21] Appl. No.: **29/110,074**

[22] Filed: **Aug. 30, 1999**

[51] **LOC (7) Cl.** ..... **15-09**

[52] **U.S. Cl.** ..... **D15/135**

[58] **Field of Search** ..... D9/432; 53/458,  
53/242, 243, 436, 471, 491, 489, 485; 229/104,  
5.5, 37 R, 43; D15/135-137; 426/392, 397,  
106

[56] **References Cited**

**U.S. PATENT DOCUMENTS**

4,495,209 1/1985 Whiteside ..... 53/458

*Primary Examiner*—Antoine Duval Davis  
*Attorney, Agent, or Firm*—Welsh & Katz, Ltd.

[57] **CLAIM**

The ornamental design for a carton bottom sealing platen, as shown.

**DESCRIPTION**

FIG. 1 is a top view of a carton bottom sealing platen in accordance with the principles of the present invention;

FIG. 2 is a front view of the carton bottom sealing platen of FIG. 1;

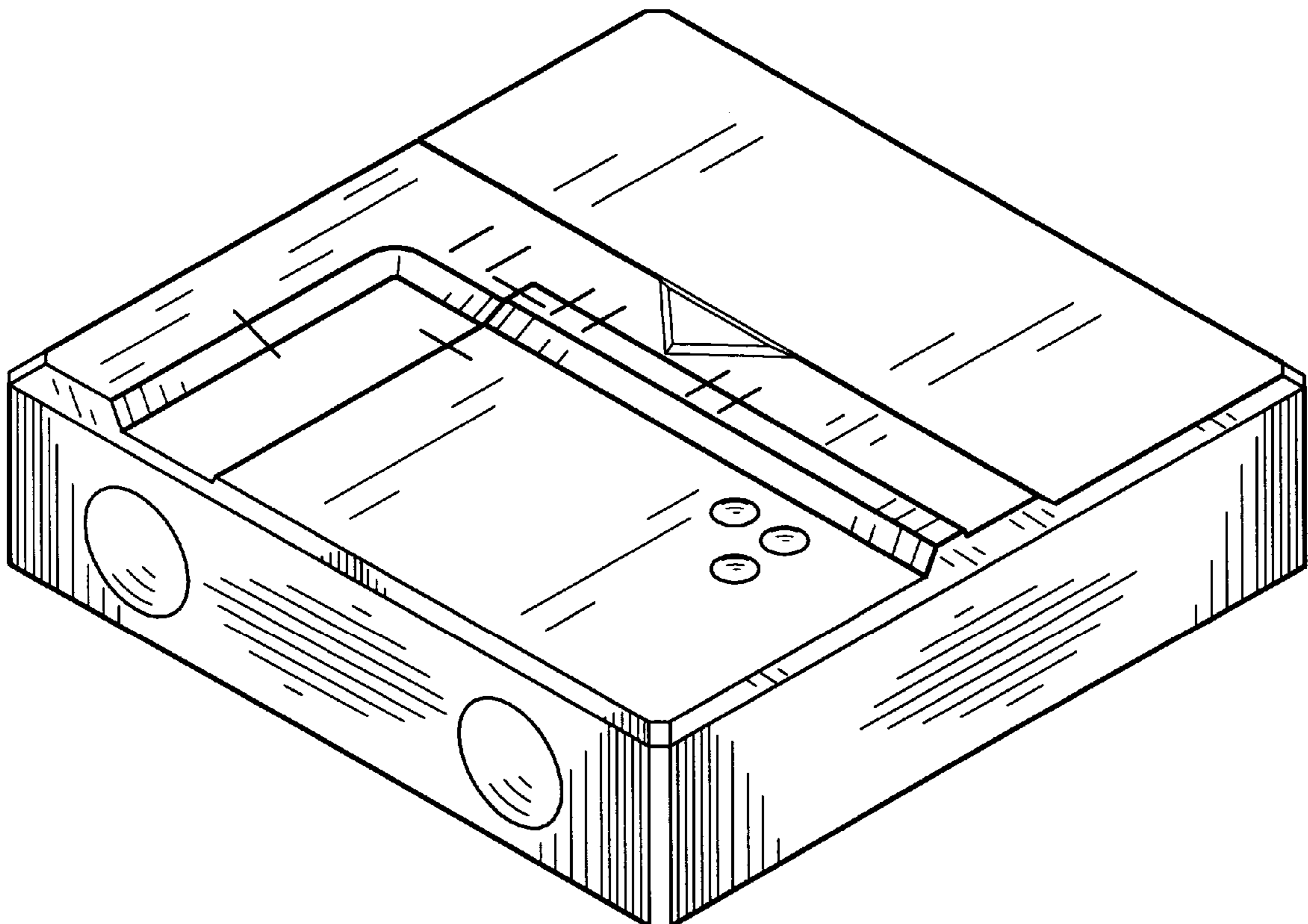
FIG. 3 is a rear view of the carton bottom sealing platen of FIG. 1;

FIG. 4 is a side view of the carton bottom sealing platen of FIG. 1, as viewed from the right-hand side thereof;

FIG. 5 is a side view of the carton bottom sealing platen, as viewed from the left-hand side of FIG. 1; and,

FIG. 6 is a top perspective view of the carton bottom sealing platen of FIG. 1.

**1 Claim, 4 Drawing Sheets**



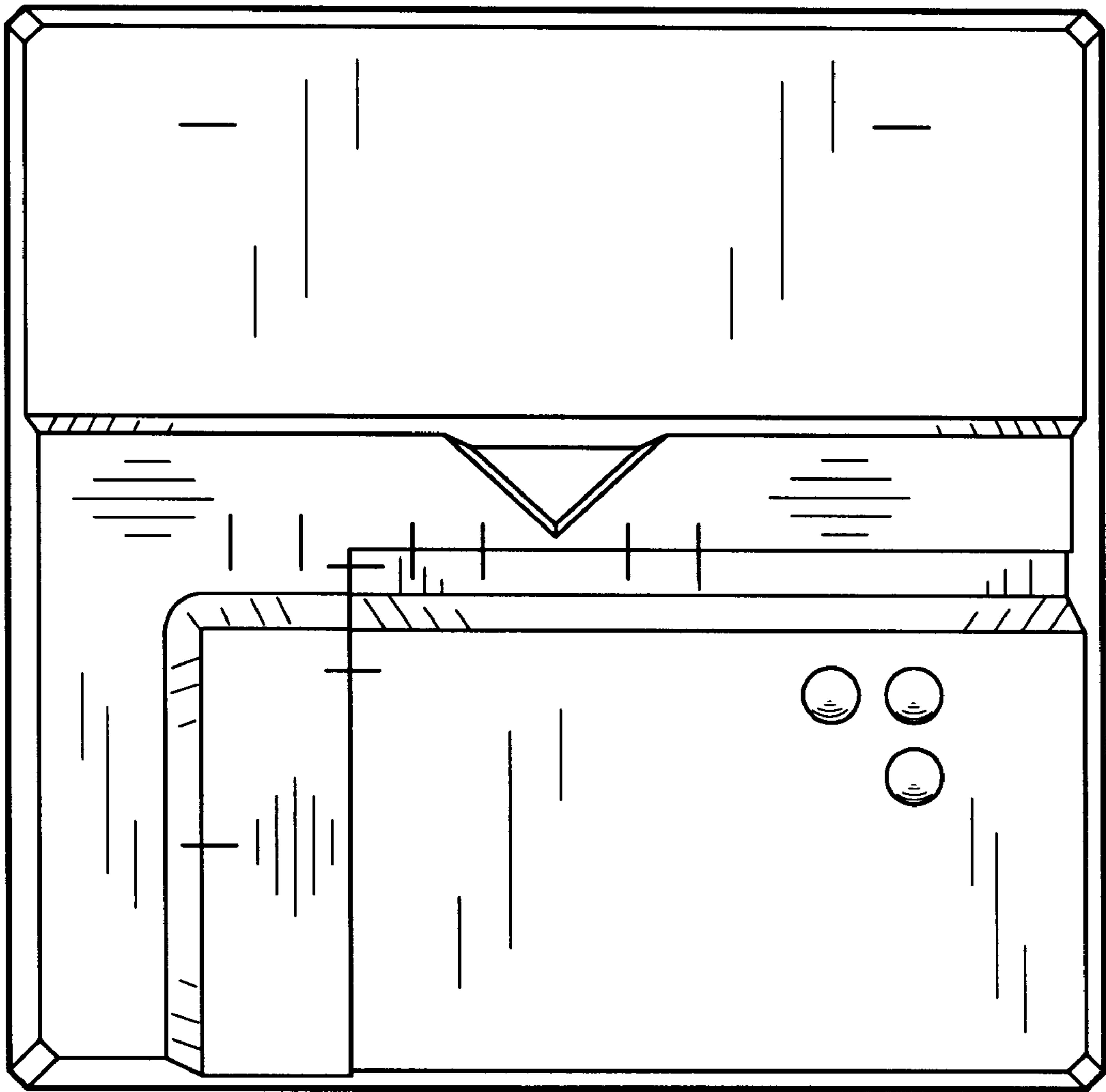


FIG. 1

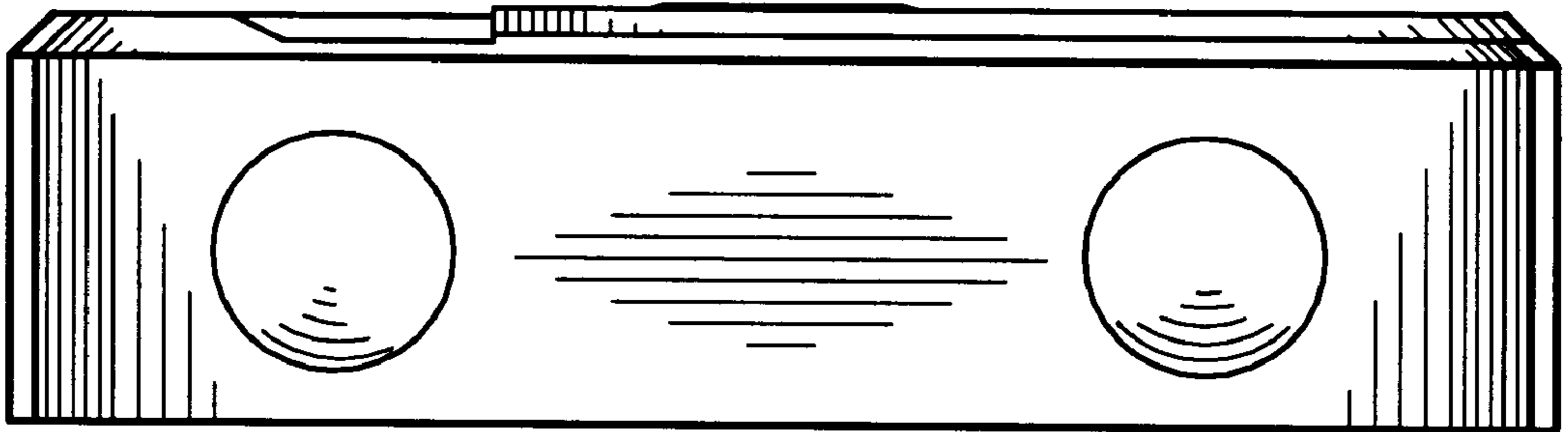


FIG. 2

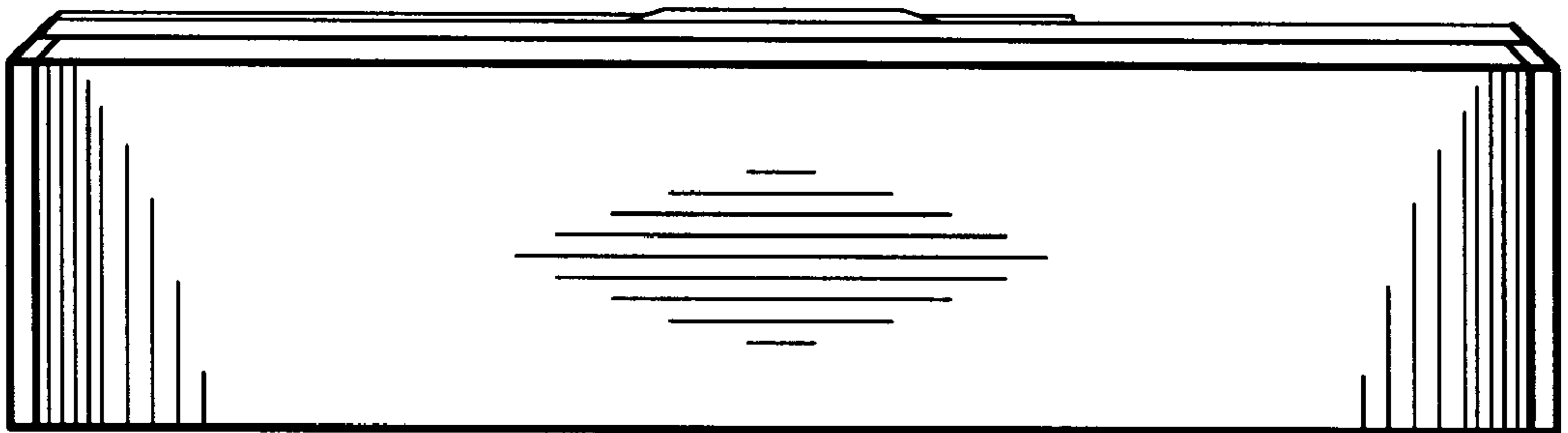


FIG. 3

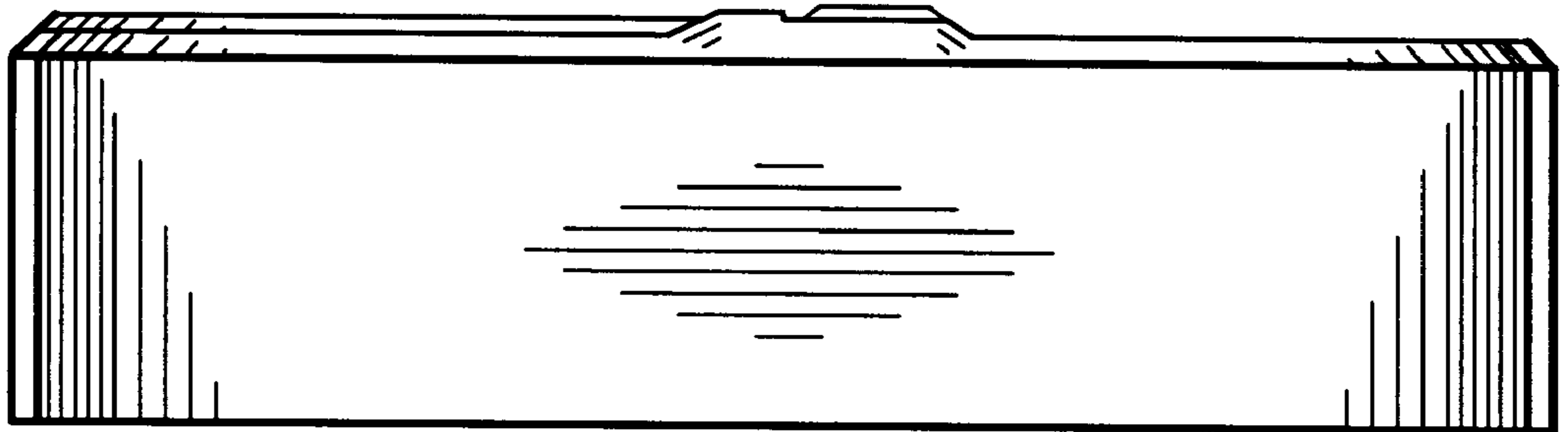


FIG. 4

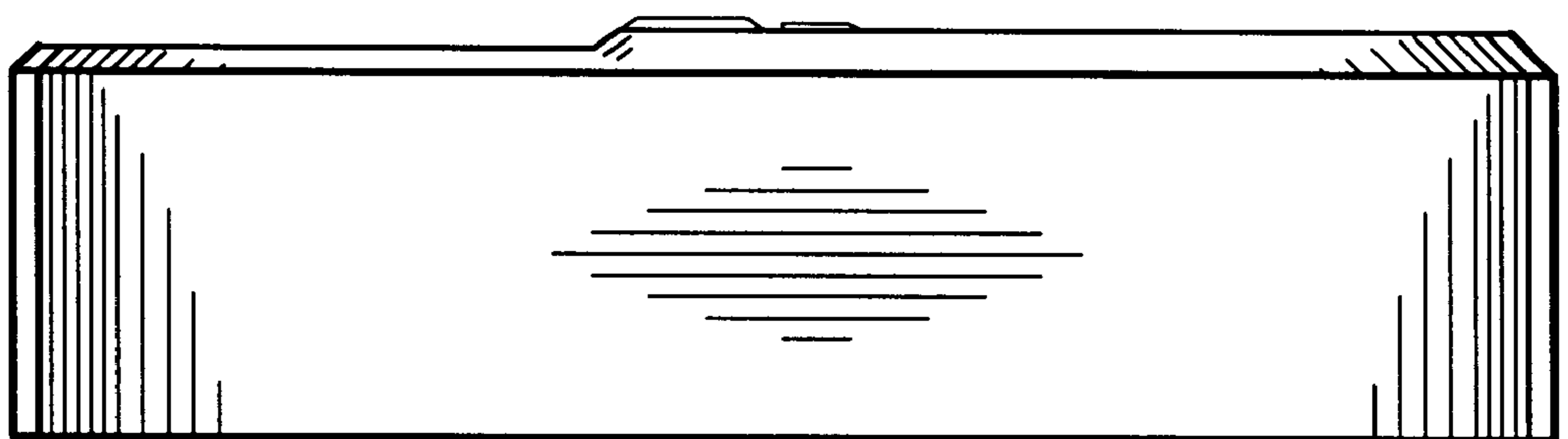


FIG. 5

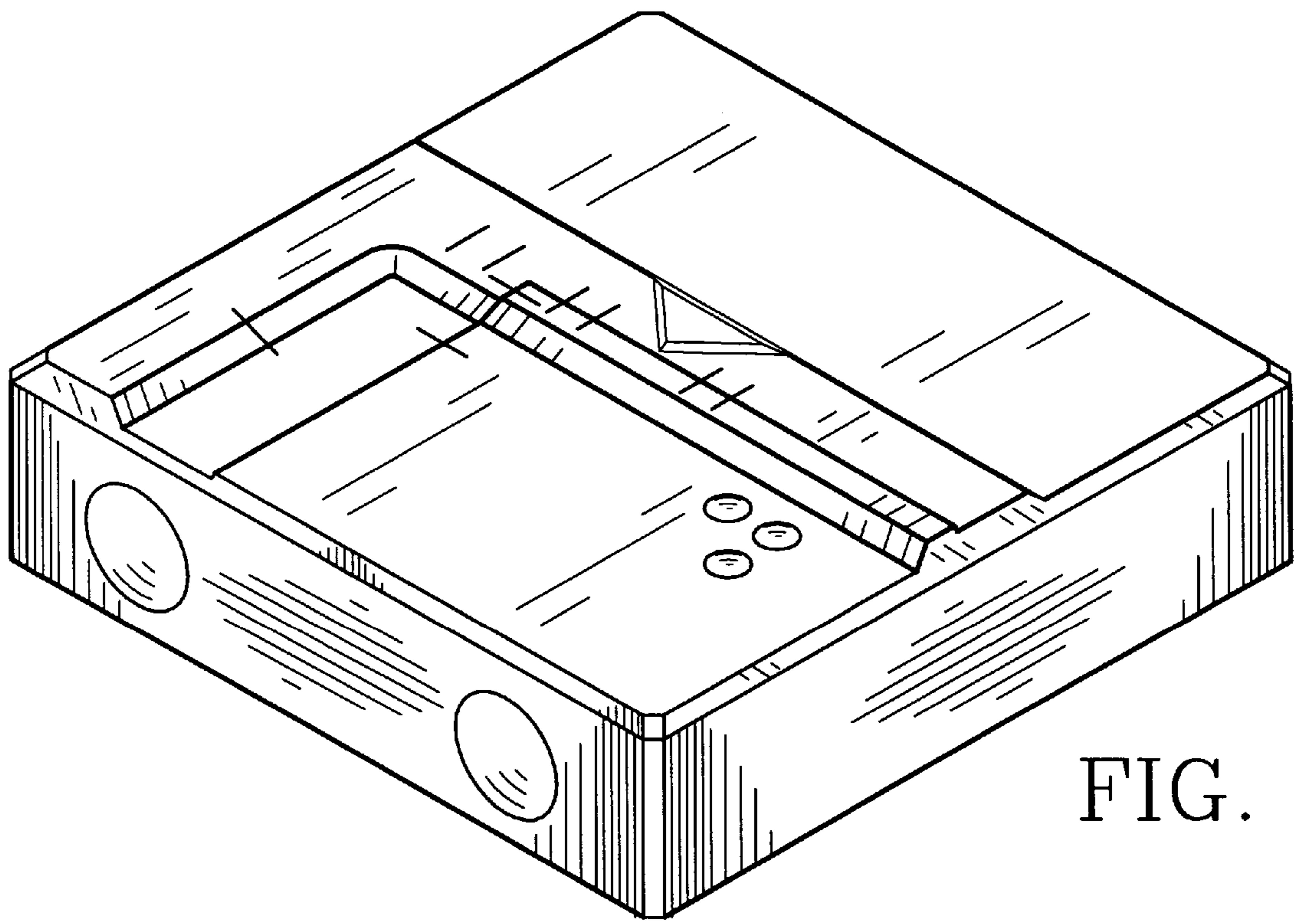


FIG. 6