



US00D426558S

United States Patent [19]
Welsh

[11] **Patent Number: Des. 426,558**

[45] **Date of Patent: ** Jun. 13, 2000**

[54] **BASE FOR A SCROLL SAW**

D. 397,343 8/1998 Chen D15/133

[75] Inventor: **Robert P. Welsh**, Hunt Valley, Md.

Primary Examiner—Antoine Duval Davis
Attorney, Agent, or Firm—Adan Ayala

[73] Assignee: **Black & Decker Inc.**, Newark, Del.

[**] Term: **14 Years**

[57] **CLAIM**

[21] Appl. No.: **29/099,118**

The ornamental design for a base for a scroll saw, as shown and described.

[22] Filed: **Jan. 13, 1999**

DESCRIPTION

Related U.S. Application Data

[63] Continuation of application No. 29/090,660, Jul. 14, 1998, Pat. No. Des. 407,422, which is a continuation of application No. 29/082,394, Jan. 21, 1998, Pat. No. Des. 402,673, which is a continuation of application No. 29/073,714, Jul. 16, 1997, Pat. No. Des. 397,124, which is a continuation of application No. 29/062,012, Nov. 5, 1996, Pat. No. Des. 402,671, which is a continuation of application No. 29/051,852, Mar. 1, 1996, abandoned.

FIG. 1 is a left side perspective view from the front of my new design of a base for a scroll saw;

FIG. 2 is a left side elevational view of my design;

FIG. 3 is a right side elevational view of my design;

FIG. 4 is a front elevational view of my design;

FIG. 5 is a rear elevational view of my design;

FIG. 6 is a top plan view of my design; and,

FIG. 7 is a right side perspective view from the rear of my new design.

[51] **LOC (7) Cl.** **15-09**

[52] **U.S. Cl.** **D15/133**

[58] **Field of Search** D15/133; 83/782-786, 83/600

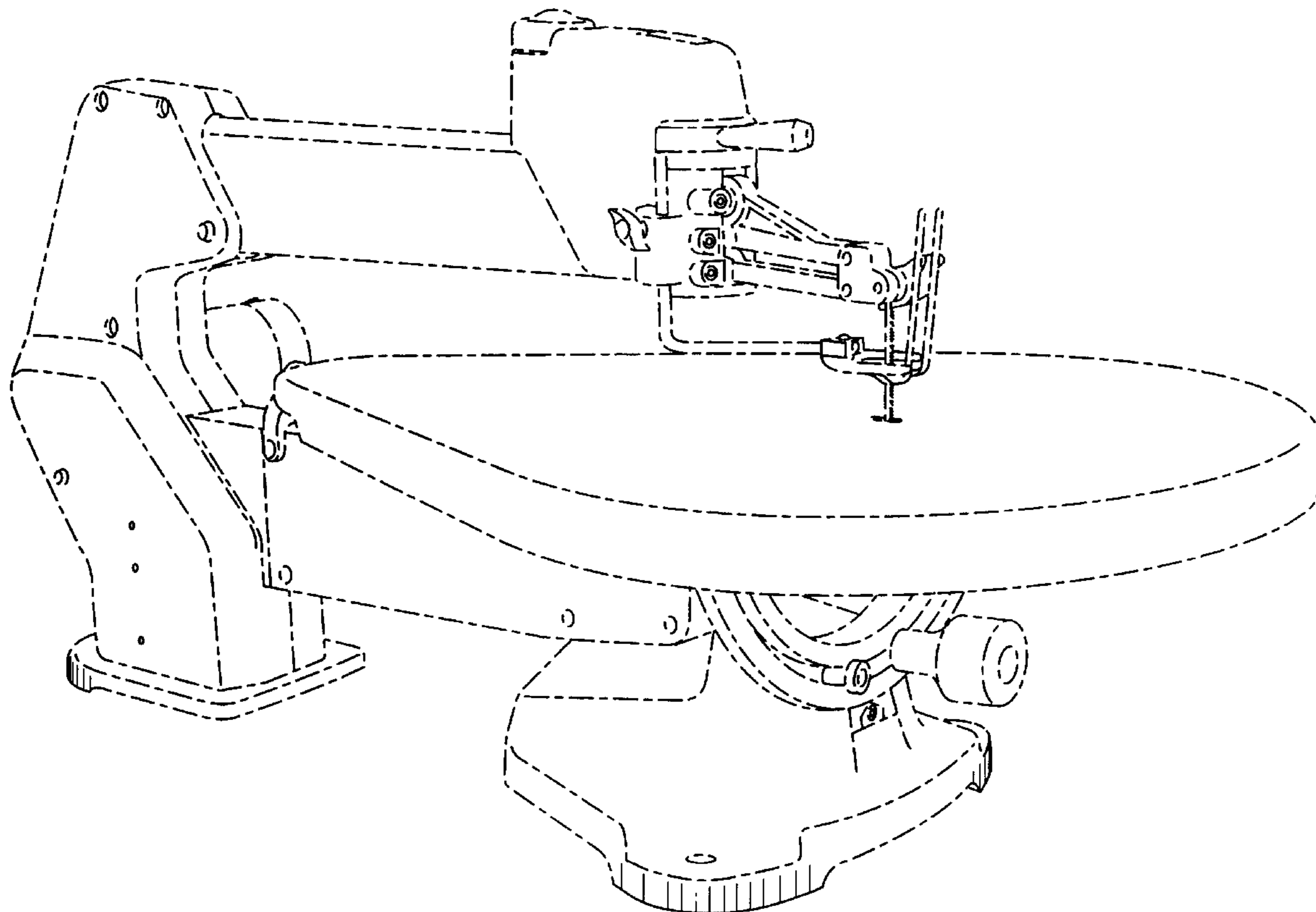
In the attached drawings, any broken line illustration is not part of the design sought to be patented.

[56] **References Cited**

U.S. PATENT DOCUMENTS

D. 388,441 12/1997 Chung D15/133

1 Claim, 6 Drawing Sheets



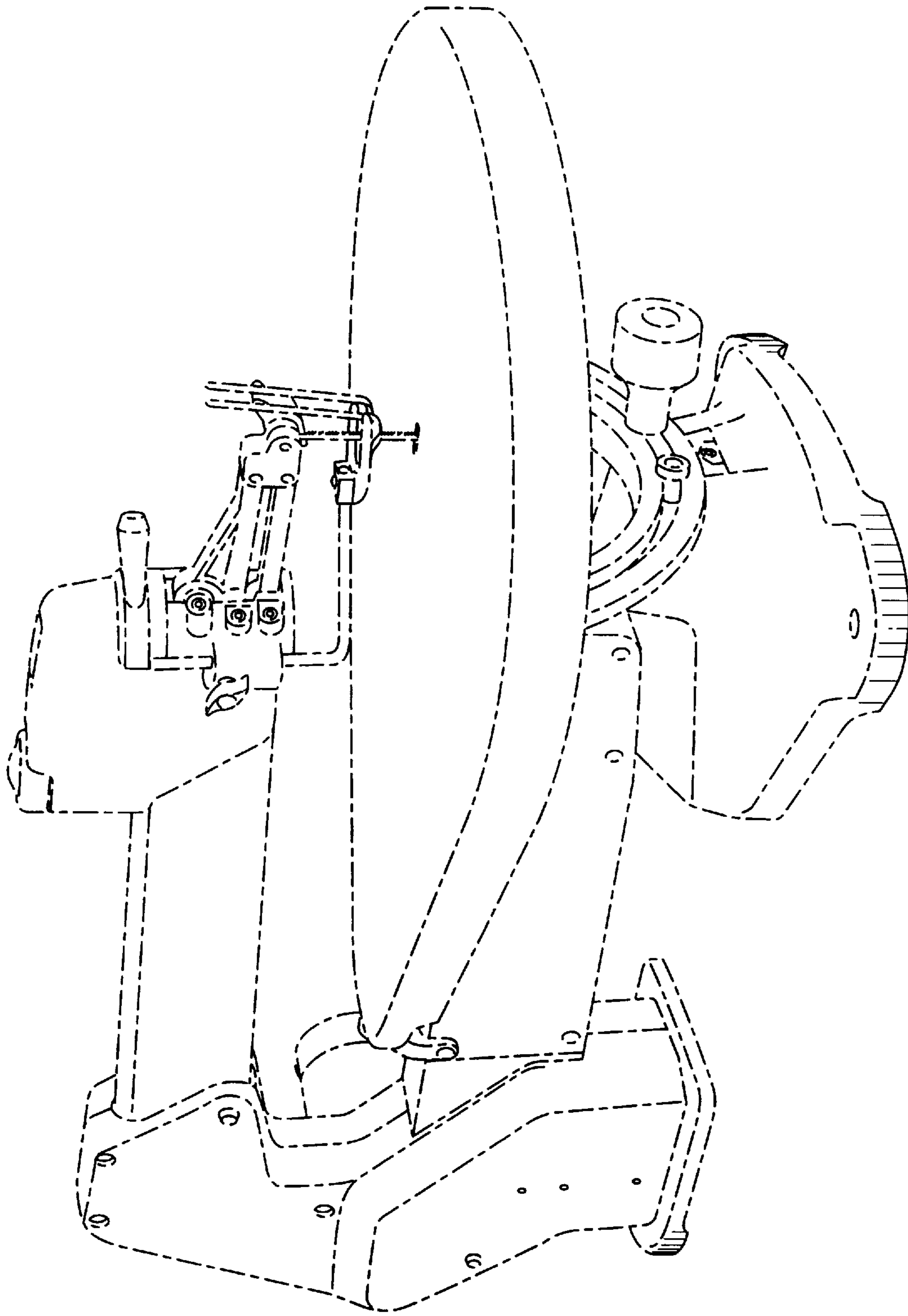


FIG. 1

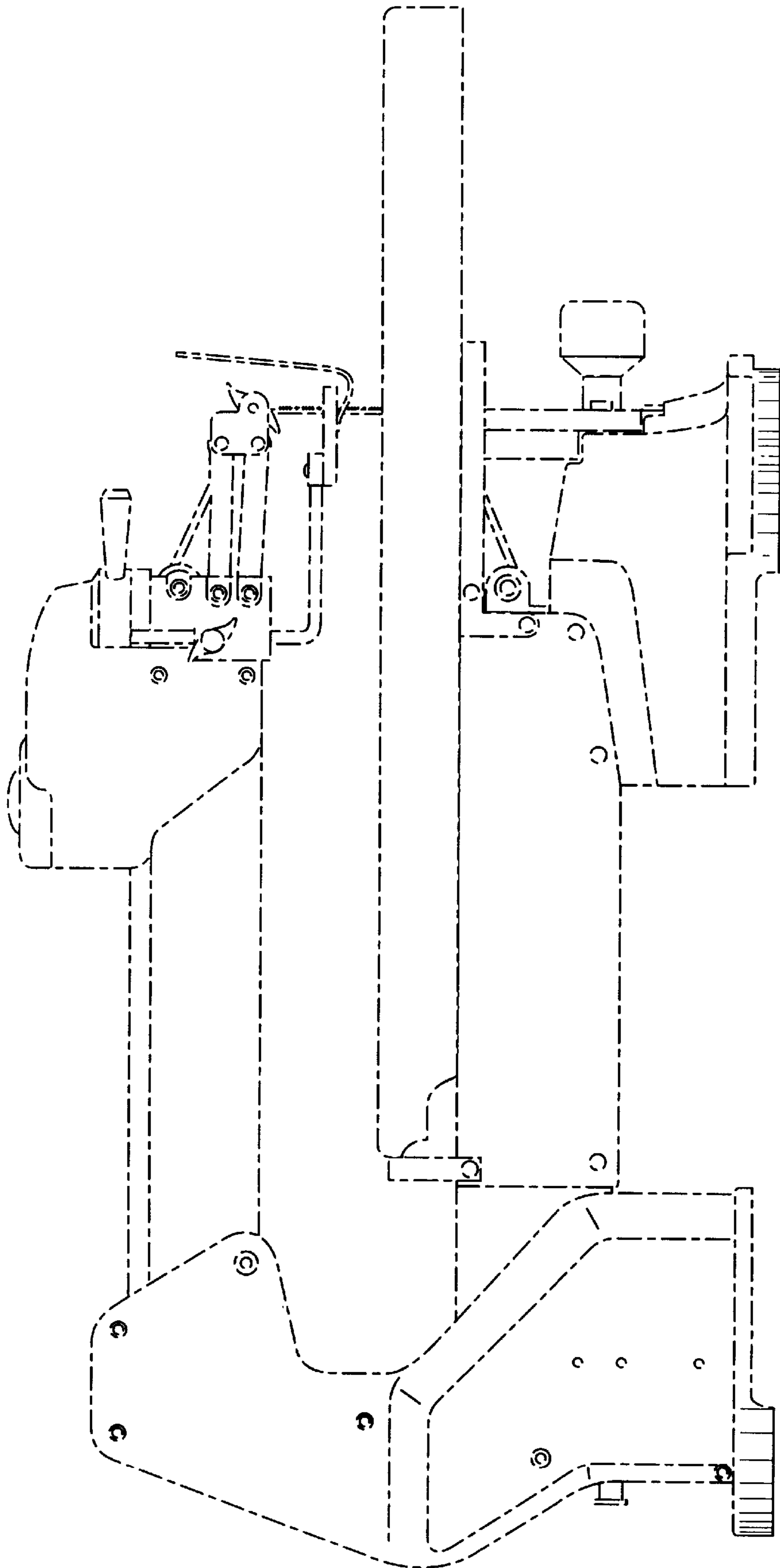


FIG. 2

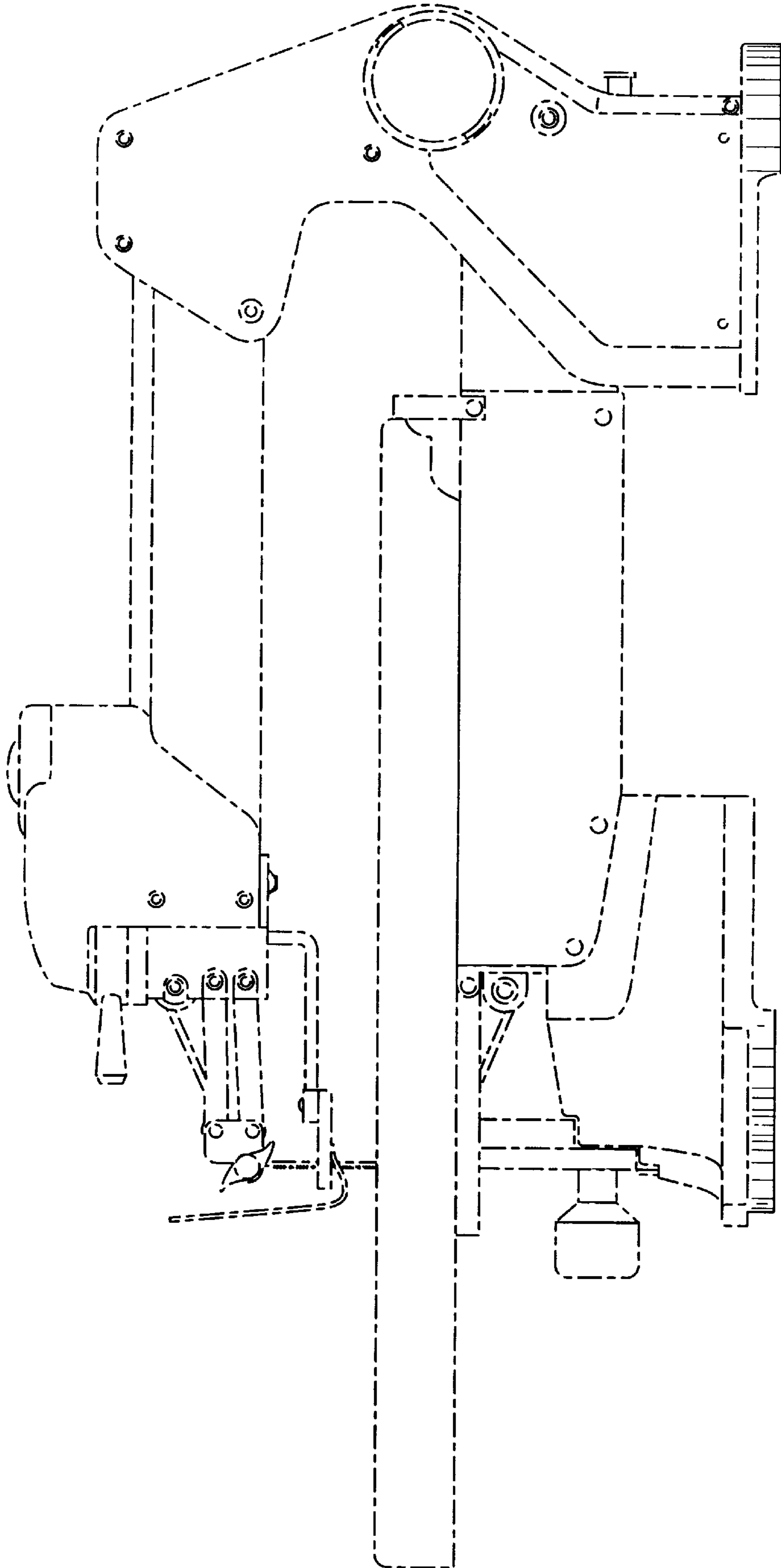


FIG. 3

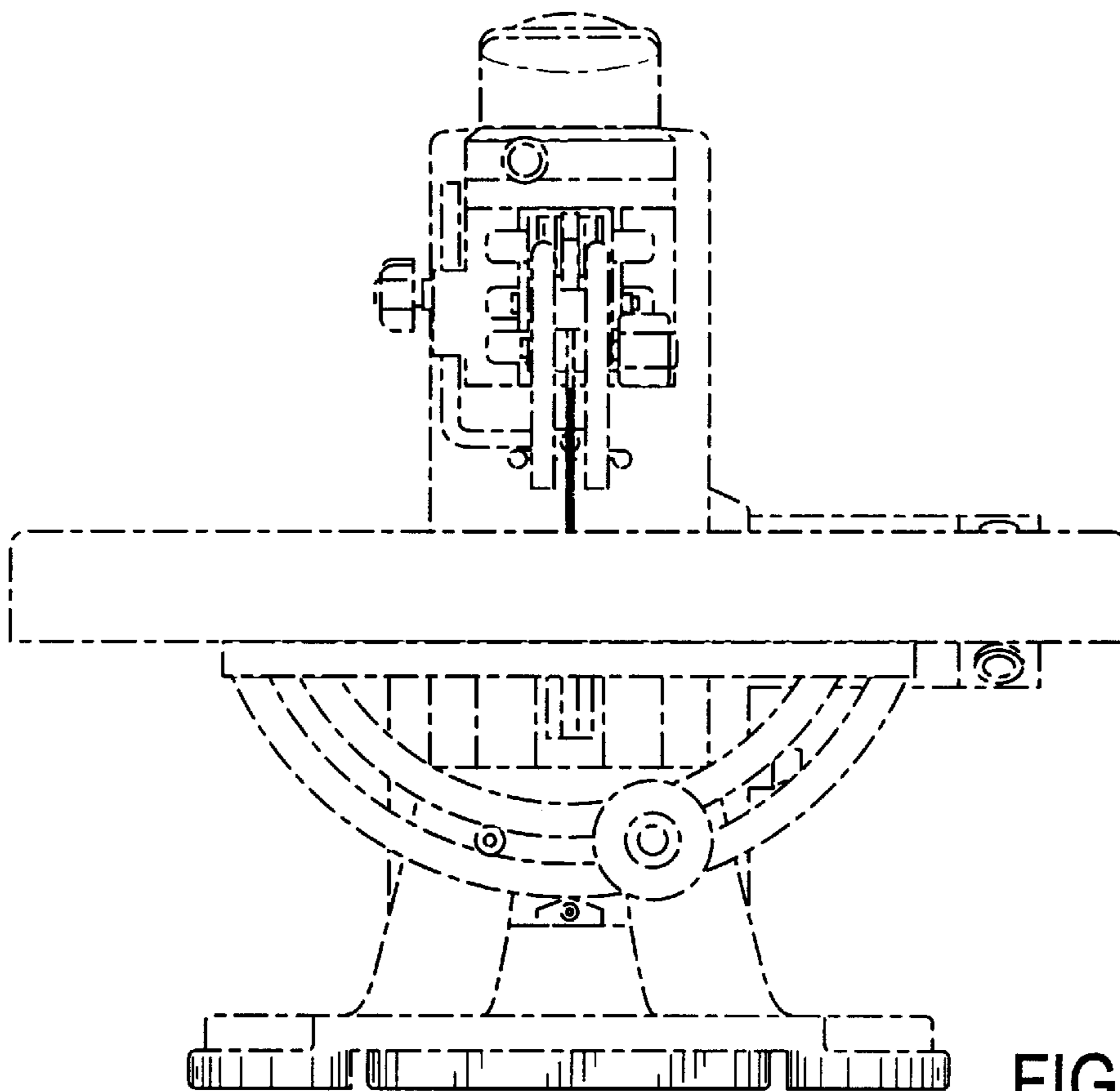


FIG. 4

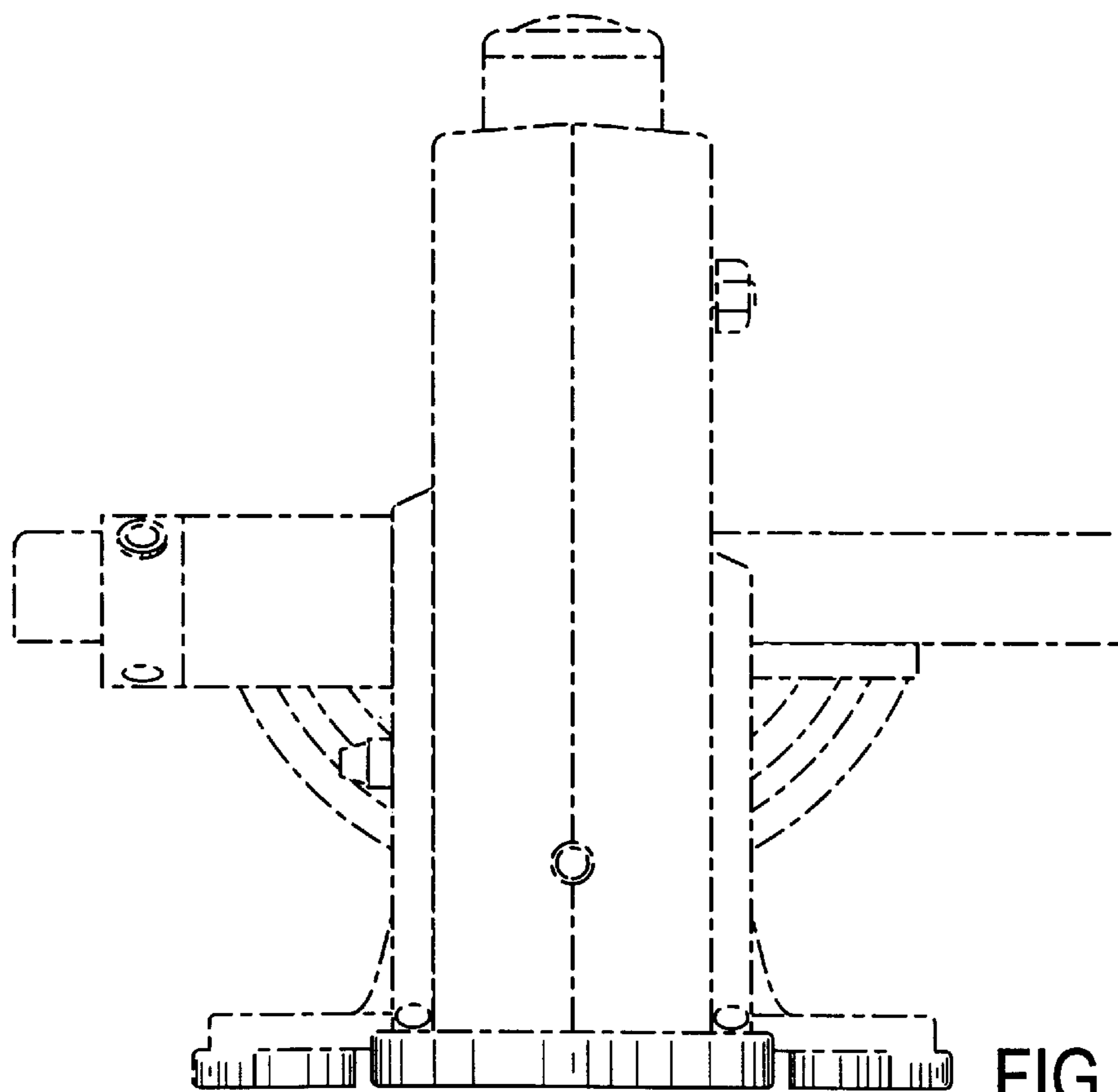


FIG. 5

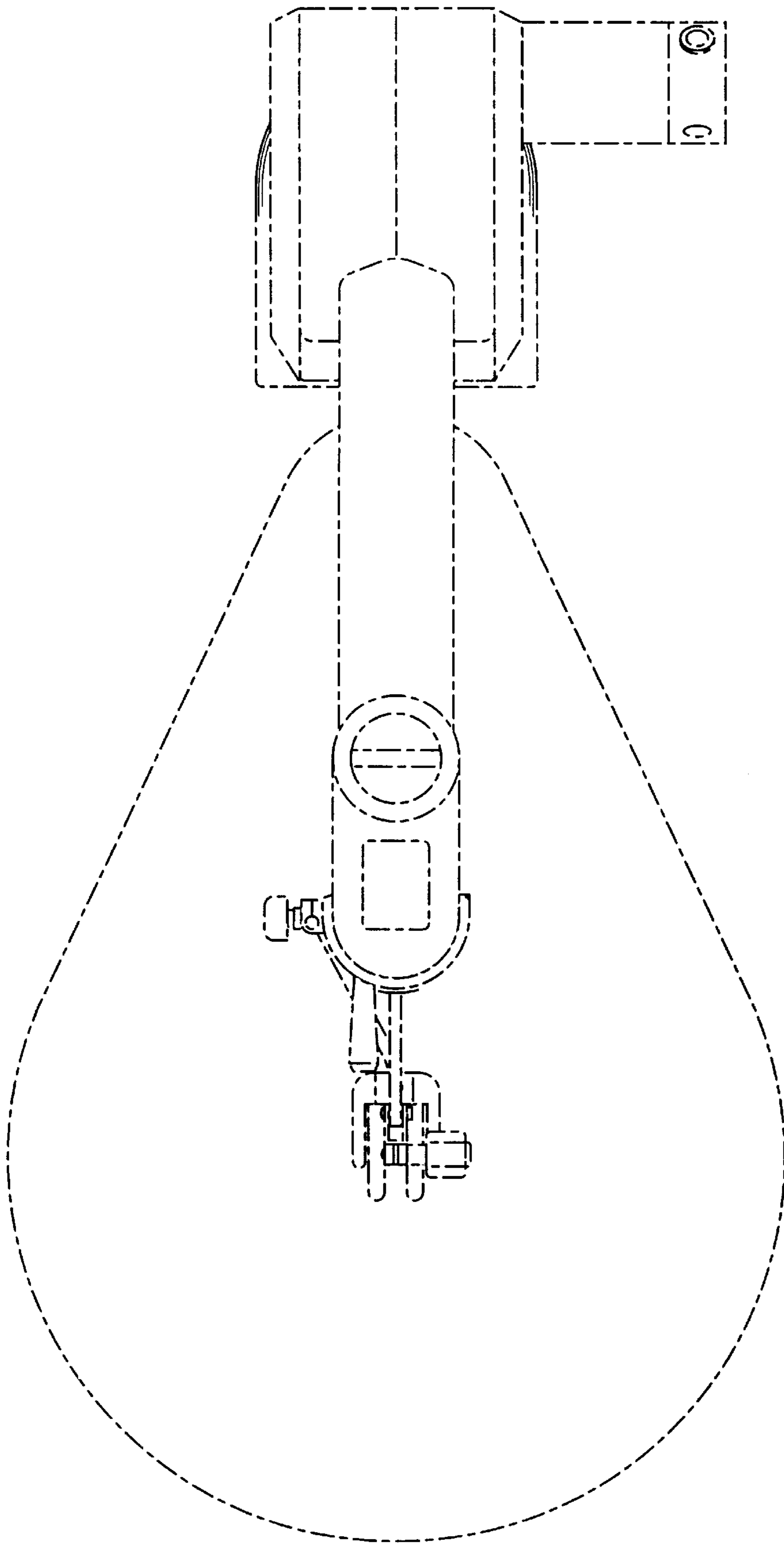


FIG. 6

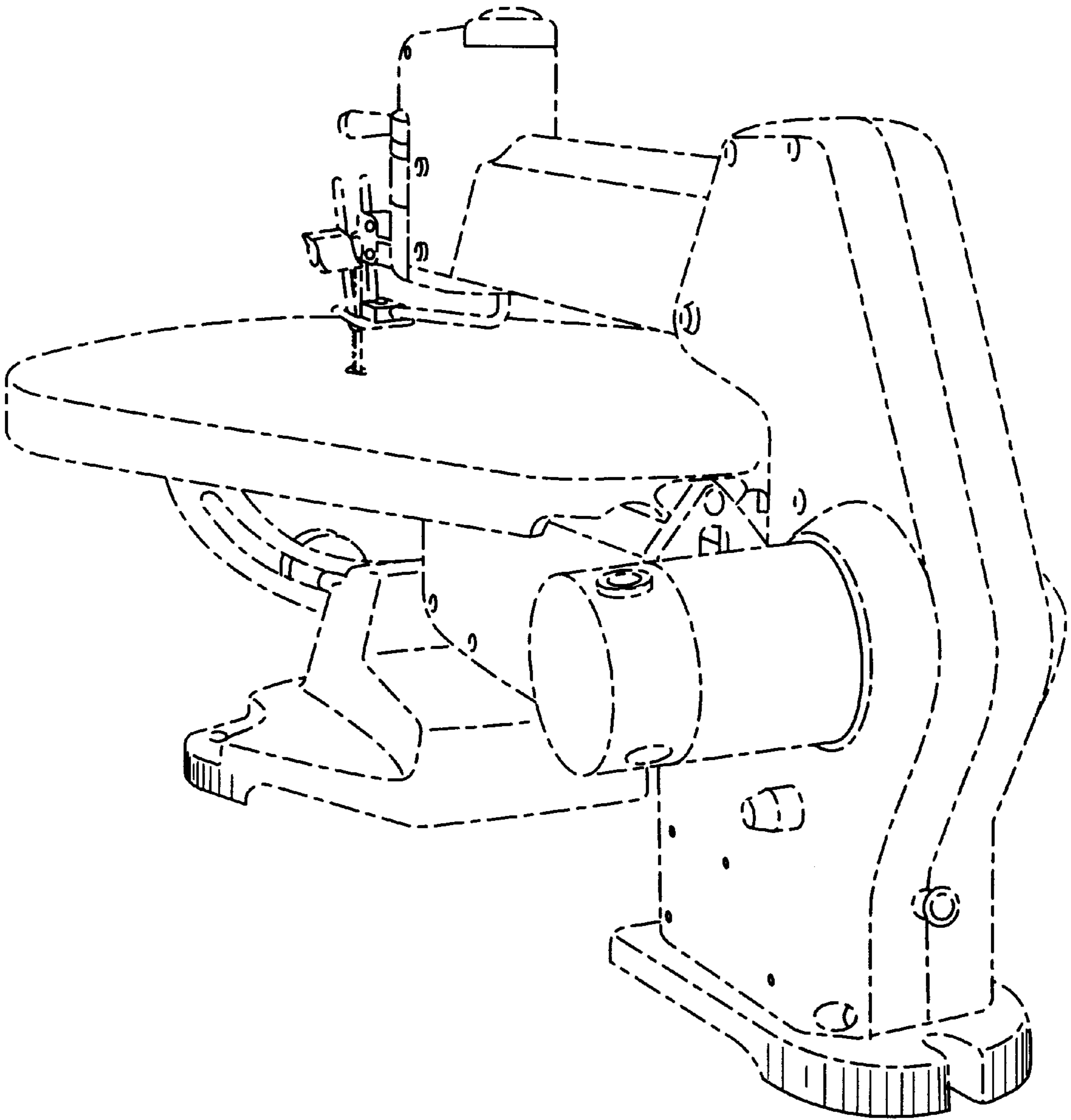


FIG. 7