



US00D426557S

# United States Patent [19]

Jones

[11] Patent Number: **Des. 426,557**

[45] Date of Patent: **\*\* Jun. 13, 2000**

[54] **PIN ROUTER ARM**

[75] Inventor: **Steven K. Jones**, Nepean, Canada

[73] Assignee: **Lee Valley Tools Ltd.**, Ottawa, Canada

[\*\*] Term: **14 Years**

[21] Appl. No.: **29/110,037**

[22] Filed: **Aug. 27, 1999**

[51] **LOC (7) Cl.** ..... **15-09**

[52] **U.S. Cl.** ..... **D15/127**

[58] **Field of Search** ..... D15/127, 133;  
144/48.6, 251.2, 134 B, 145 A, 252.1; 29/560

[56] **References Cited**

**U.S. PATENT DOCUMENTS**

1,440,184	12/1922	Stenger	.....	144/40.6
4,484,608	11/1984	Ferdinand et al.	.	
4,605,049	8/1986	Giordanengo et al.	.....	D15/127 X
4,756,072	7/1988	Falzoni	.....	144/346
4,779,327	10/1988	Vander Maas	.	
5,345,984	9/1994	Ardesson	.	

**OTHER PUBLICATIONS**

Pages (3) printed from C.R. Onsrud's Website (<http://www.cronsrud.com/page5.html>) related to the 2003 C.R. Onsrud Inverted Router, Jun. 29, 1999.

Pages (3) printed from C.R. Onsrud's Website (<http://www.cronsrud.com/page4.html>) related to the 3025 C.R. Onsrud Inverted Router, Jun. 29, 1999.

Pages (4) printed from C.R. Onsrud's Website (<http://www.cronsrud.com/page3.html>) related to the 36210 C.R. Onsrud Inverted Router, Jun. 29, 1999.

Pages (3) printed from C.R. Onsrud's Website (<http://www.cronsrud.com/page2.html>) for general information regarding the C.R. Onsrud Inverted Router, Jun. 29, 1999.

*Primary Examiner*—Antoine Duval Davis  
*Attorney, Agent, or Firm*—John S. Pratt; Kilpatrick Stockton LLP

[57] **CLAIM**

The ornamental design for a pin router arm, as shown and described.

**DESCRIPTION**

FIG. 1 is a perspective view showing the right side and the top of the pin router arm design of this invention.

FIG. 2 is a right side elevation view of the pin router arm shown in FIG. 1.

FIG. 3 is a rear elevation view of the pin router arm shown in FIG. 1.

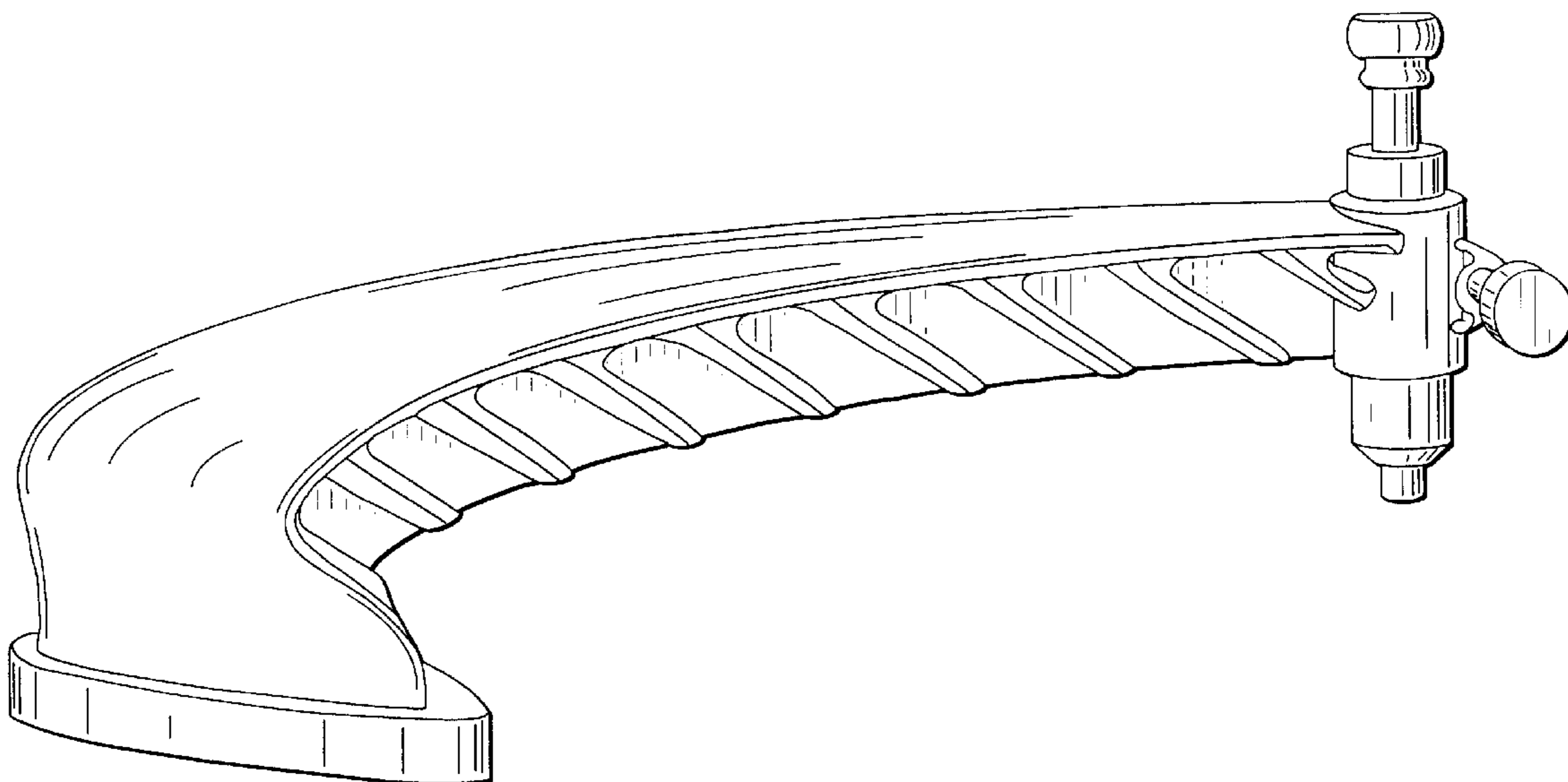
FIG. 4 is a front elevation view of the pin router arm shown in FIG. 1.

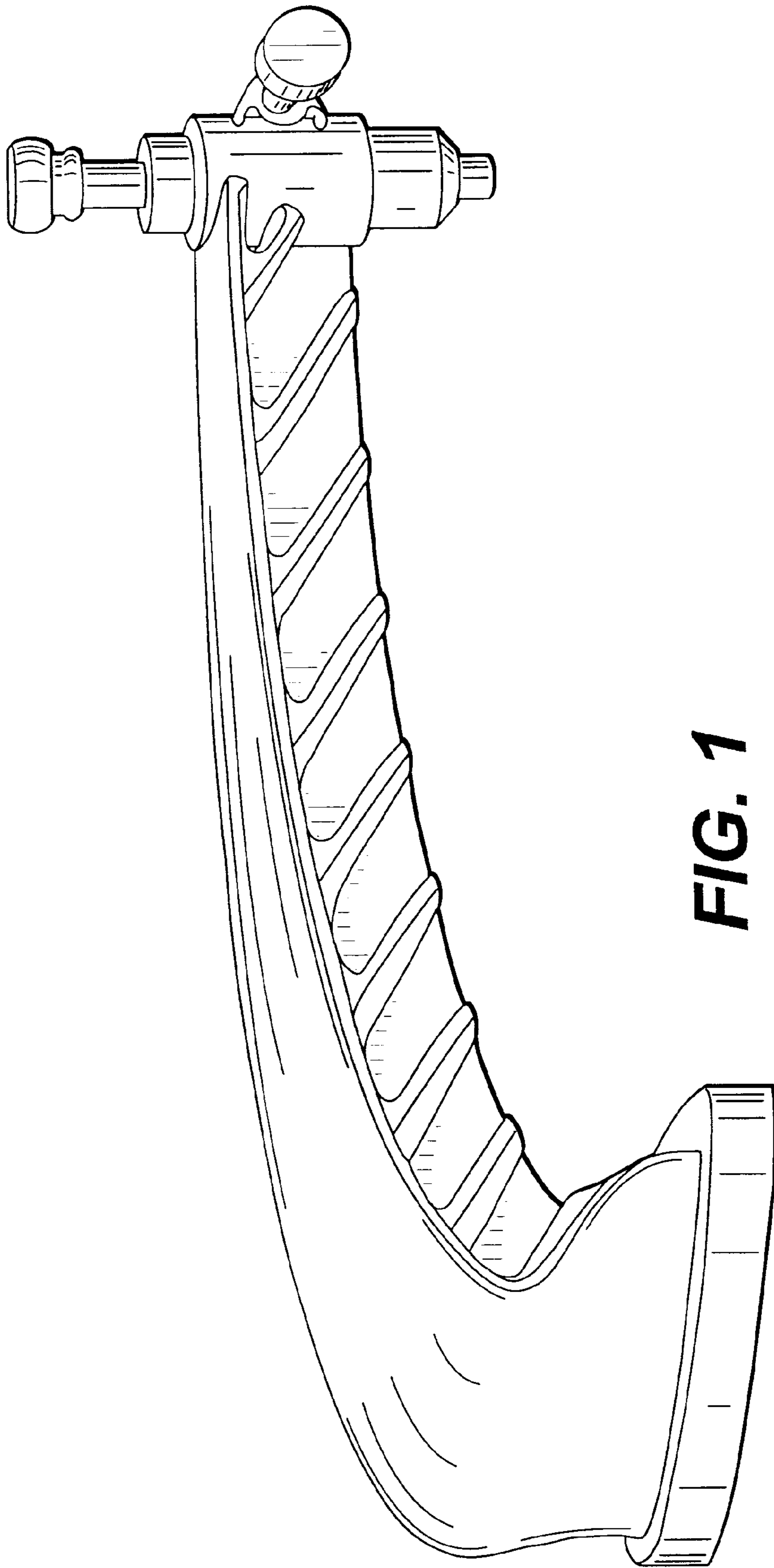
FIG. 5 is a left side elevation view of the pin router arm shown in FIG. 1.

FIG. 6 is a top plan view of the pin router arm shown in FIG. 1; and,

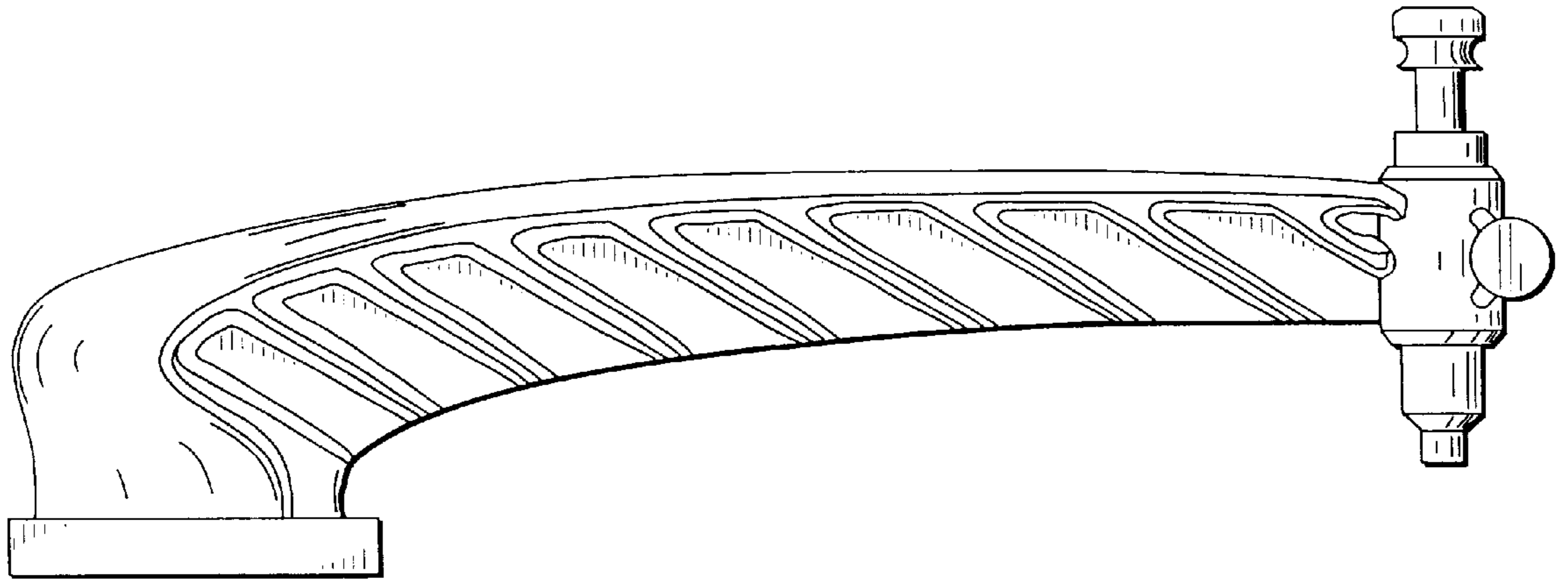
FIG. 7 is a bottom plan view of the pin router arm shown in FIG. 1.

**1 Claim, 4 Drawing Sheets**

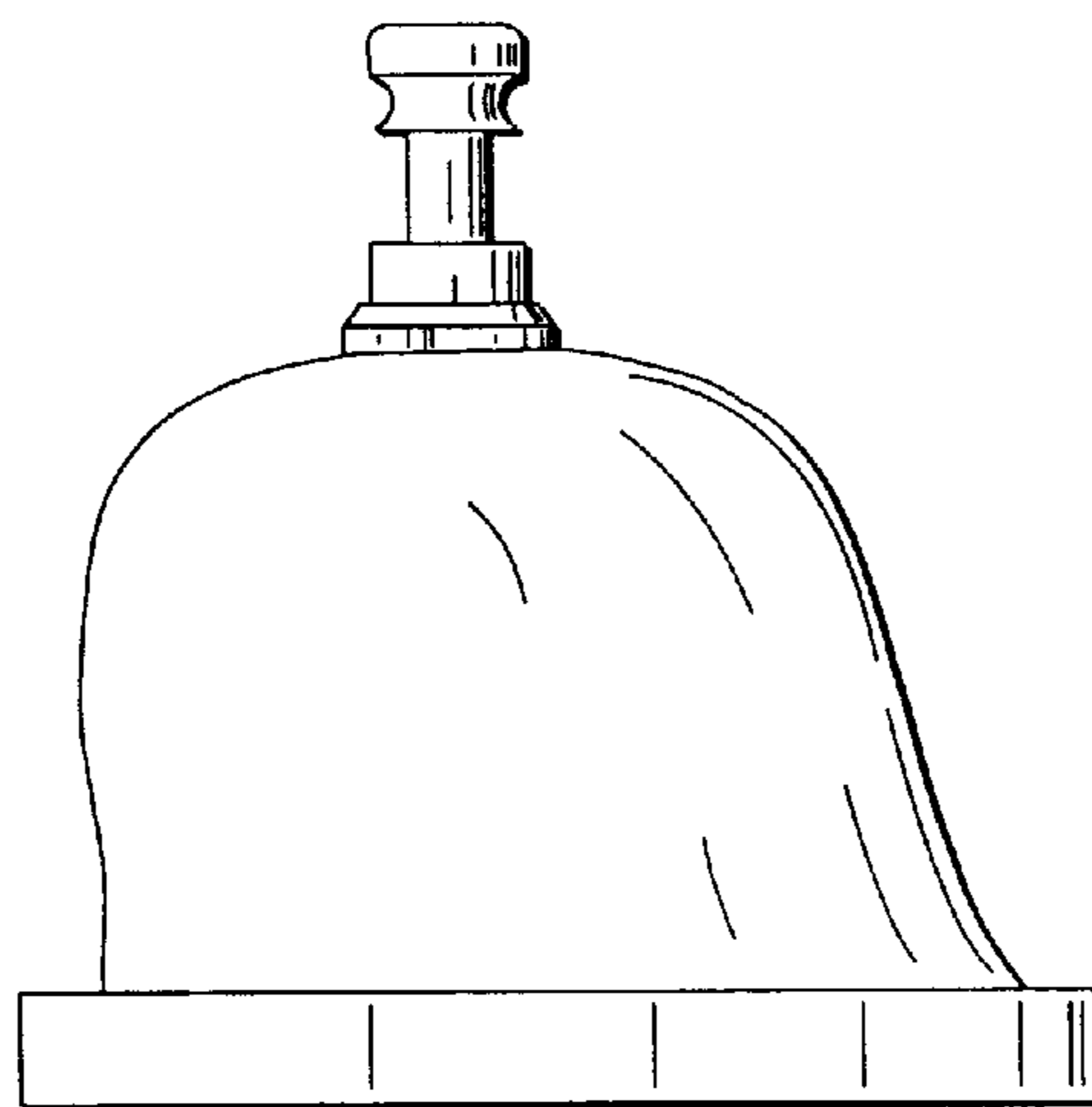




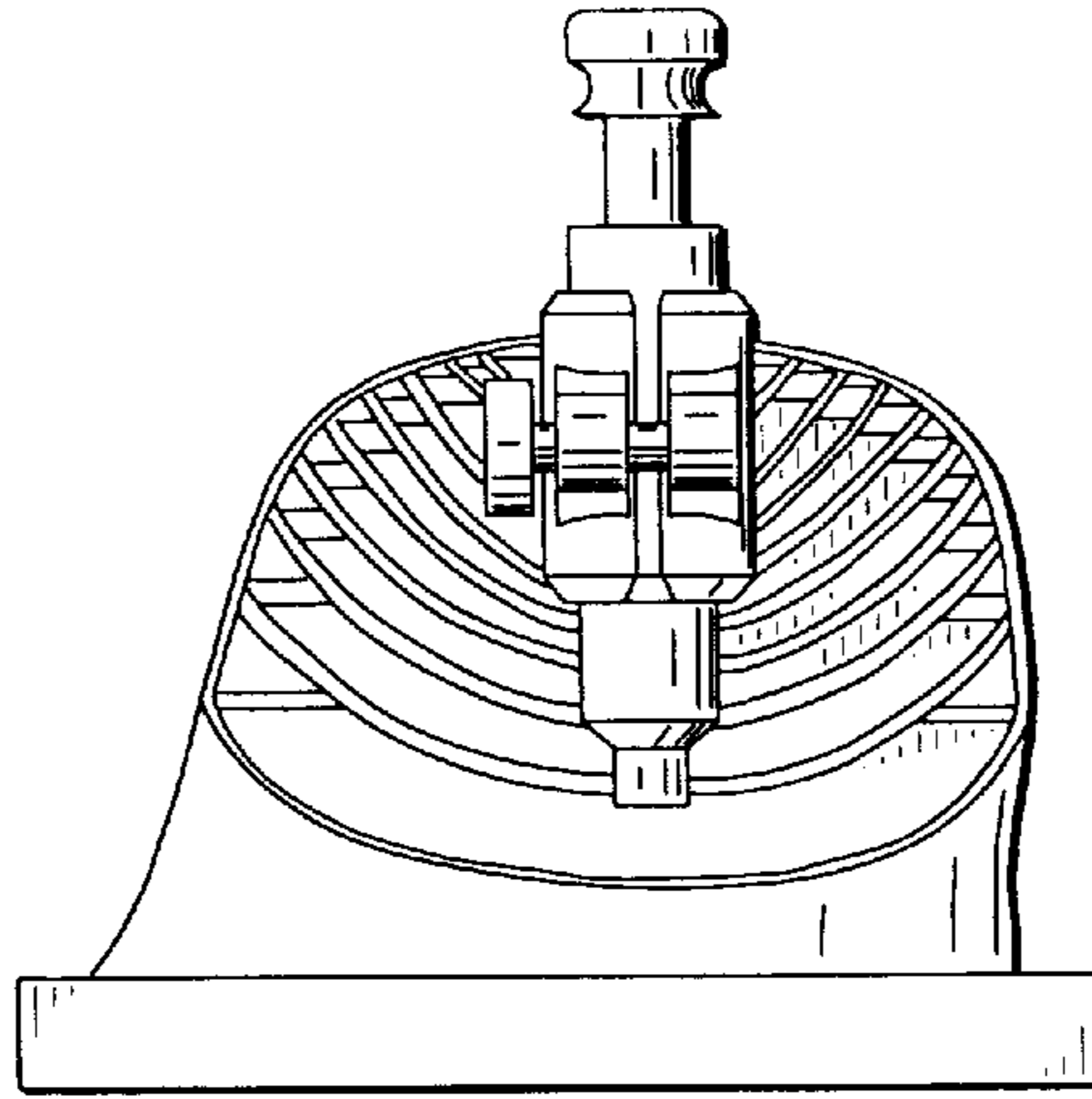
**FIG. 1**



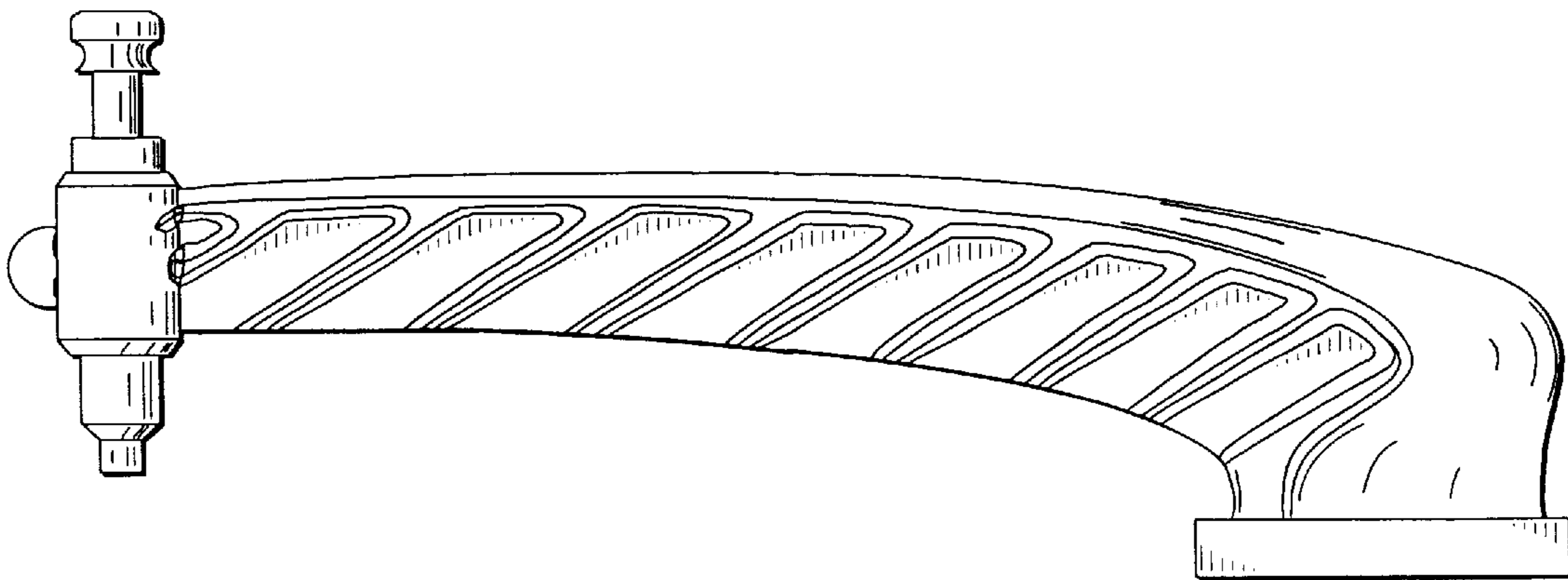
**FIG. 2**



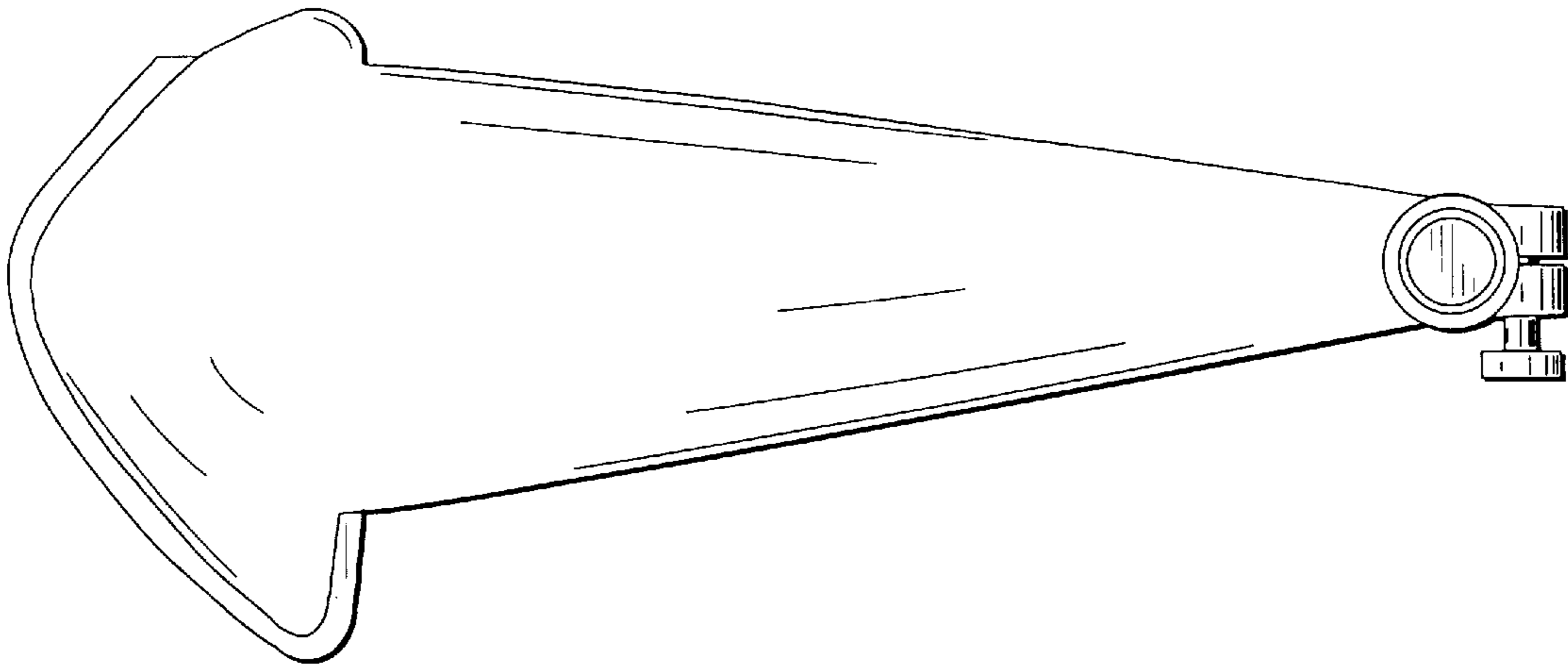
**FIG. 3**



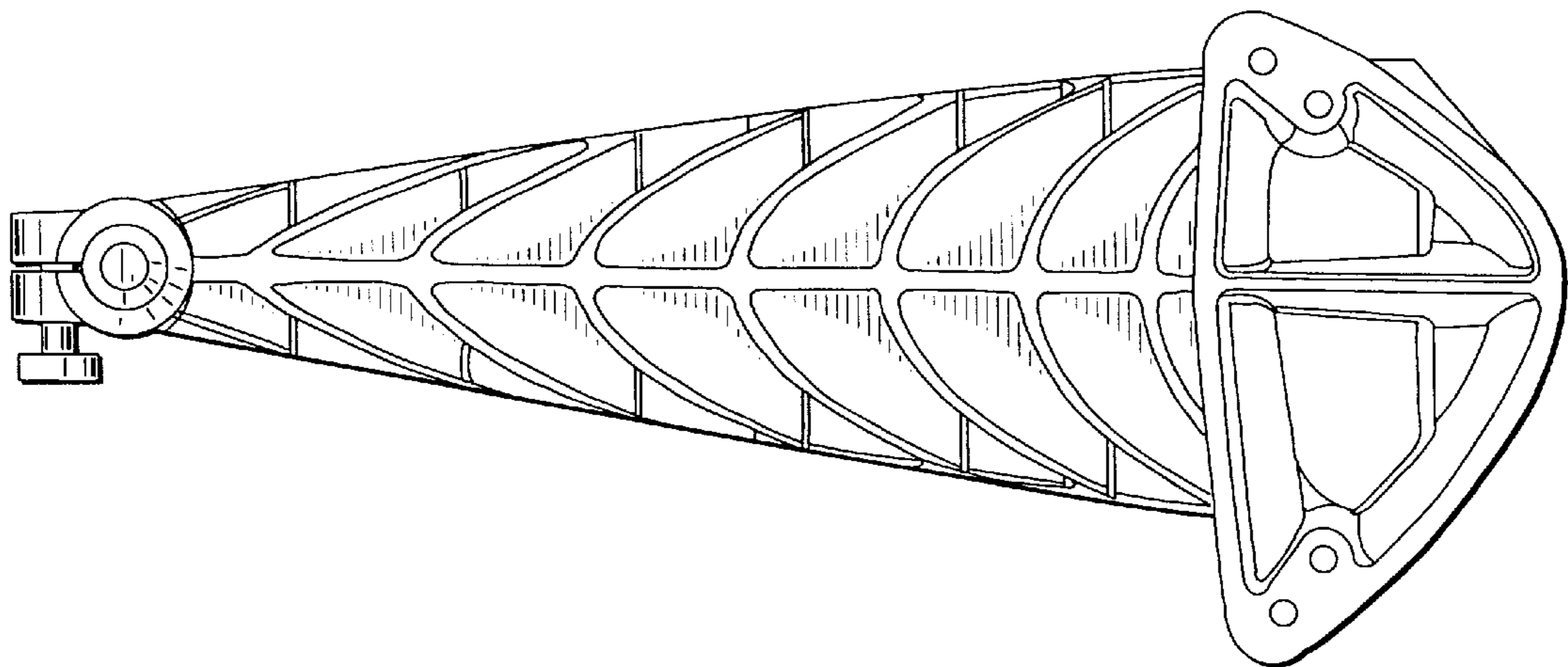
**FIG. 4**



**FIG. 5**



**FIG. 6**



**FIG. 7**