



US00D426554S

United States Patent [19] Wang

[11] **Patent Number: Des. 426,554**

[45] **Date of Patent: ** Jun. 13, 2000**

[54] **AIR PUMP (4)**

D. 294,359 2/1988 Tsai D15/8
D. 306,449 3/1990 Shannon D15/8

[75] Inventor: **Chiao-Ming Wang**, Taichung Hsien, Taiwan

Primary Examiner—Ralf Seifert
Attorney, Agent, or Firm—Rosenberg, Klein & Lee

[73] Assignee: **Meiko Pet Corporation**, Taichung Hsien, Taiwan

[57] CLAIM

[**] Term: **14 Years**

The ornamental design for an air pump (4), as shown and described.

[21] Appl. No.: **29/112,027**

DESCRIPTION

[22] Filed: **Oct. 12, 1999**

FIG. 1 is a perspective view of air pump (4) showing my new design;

[51] **LOC (7) Cl.** **15-02**

FIG. 2 is a front elevation view thereof;

[52] **U.S. Cl.** **D15/8**

FIG. 3 is a rear elevation view thereof;

[58] **Field of Search** D15/7-9; 815/8;
210/169, 416.2; D30/106; 417/234, 413 R,
410 R, 411, 424.1, 424.2

FIG. 4 is a left side elevation view thereof;

FIG. 5 is a right side elevation view thereof;

FIG. 6 is a top plan view thereof; and,

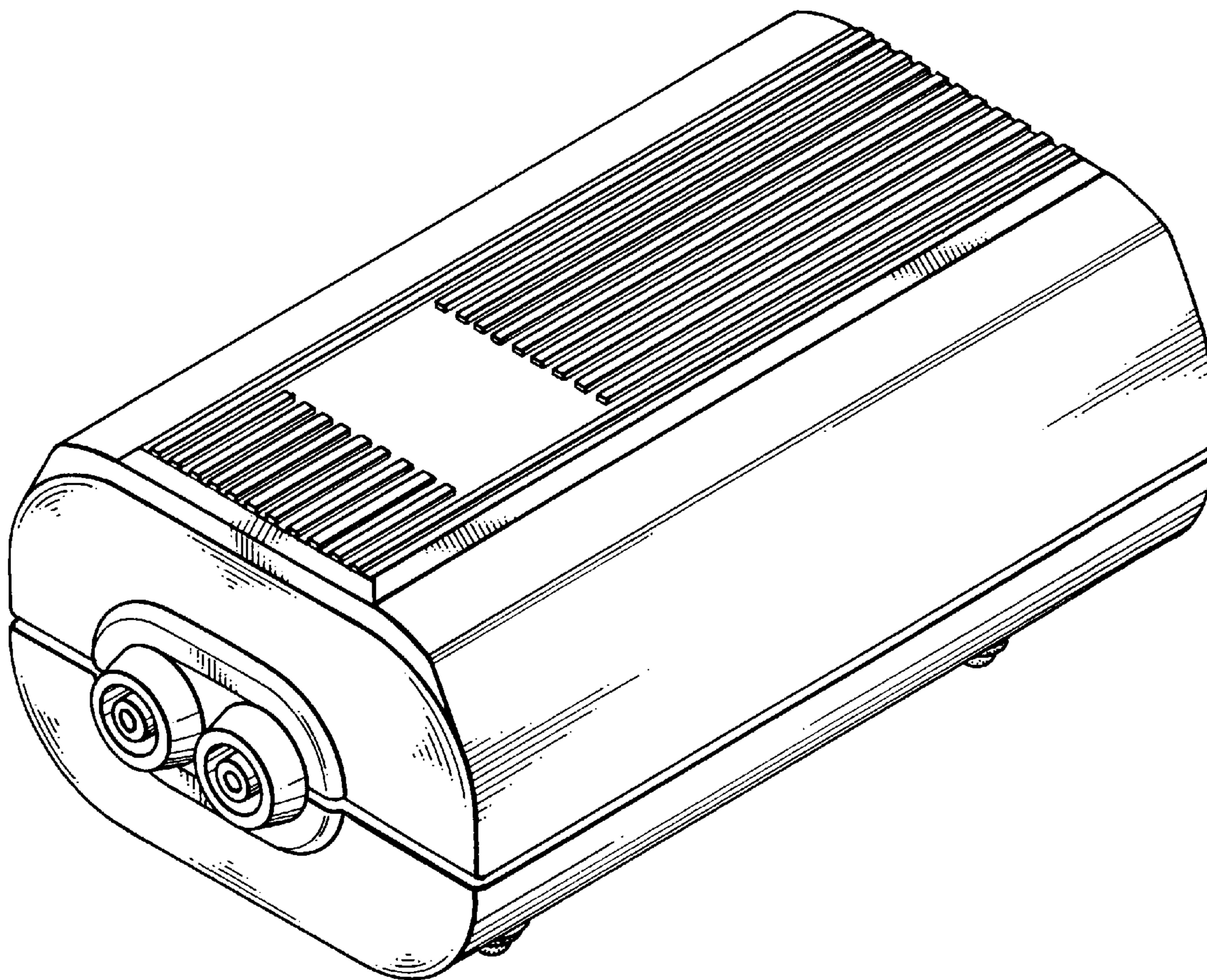
FIG. 7 is a bottom plan view thereof.

[56] References Cited

U.S. PATENT DOCUMENTS

D. 263,593 3/1982 Goldman et al. D15/8

1 Claim, 4 Drawing Sheets



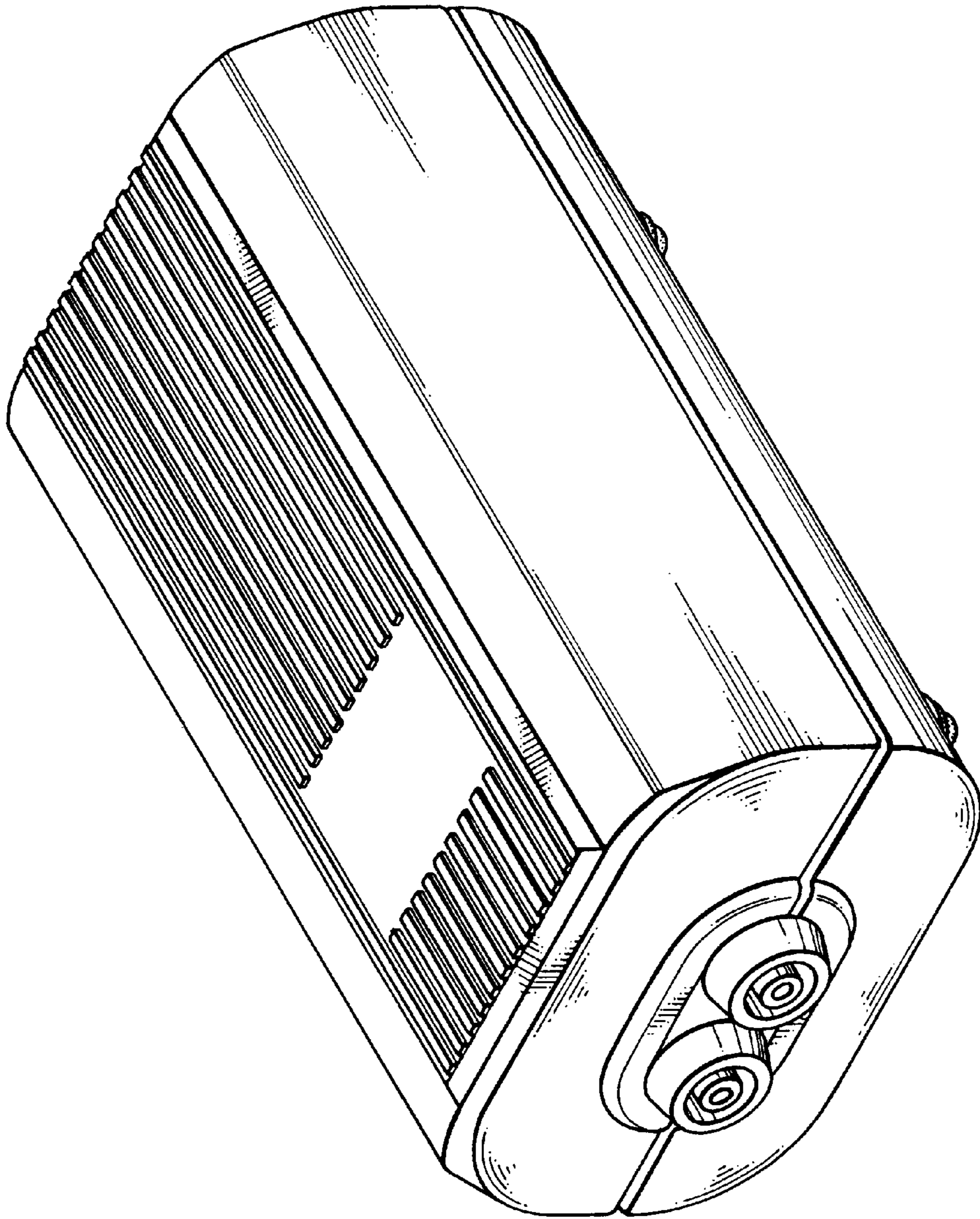


FIG. 1

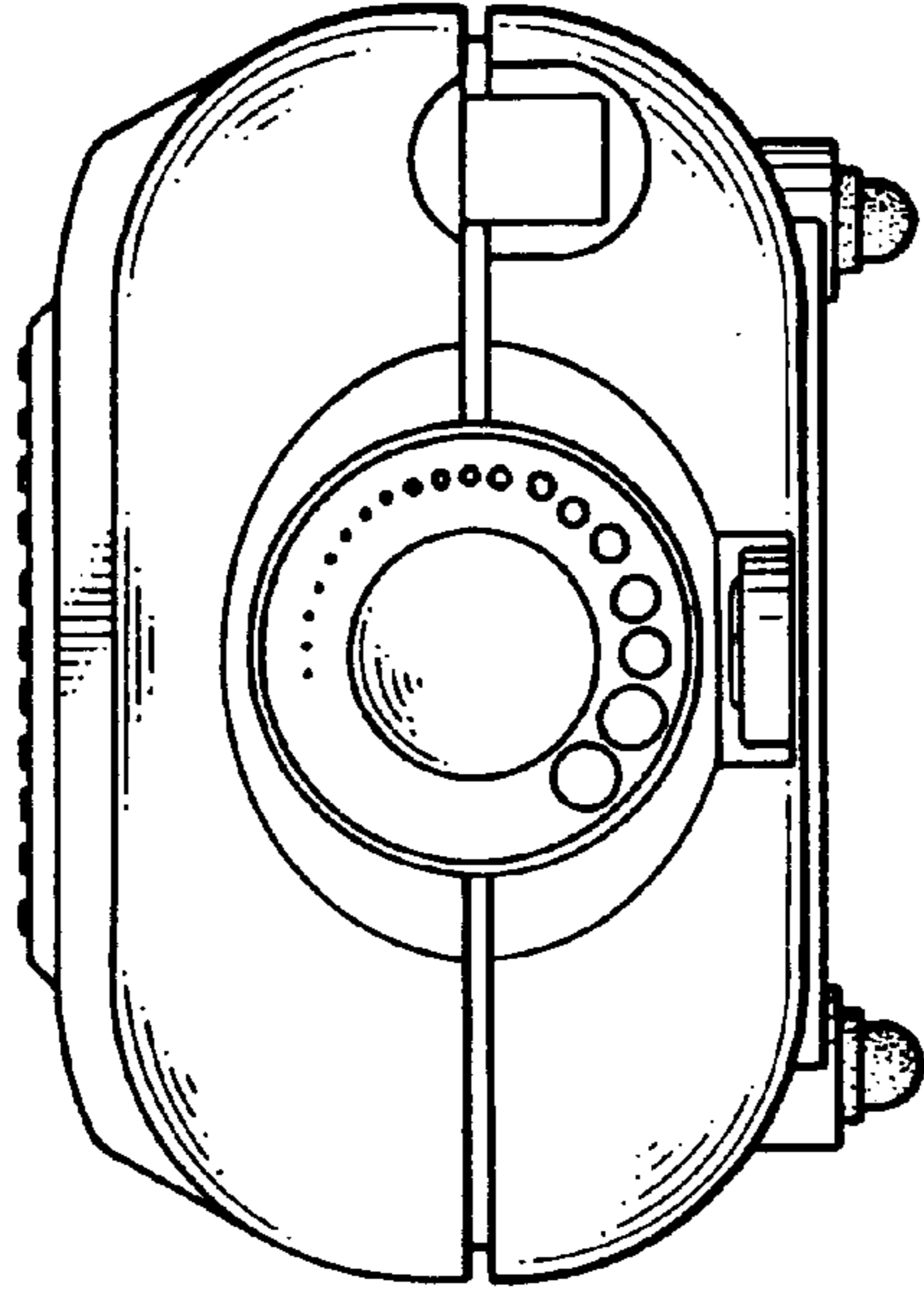


FIG. 3

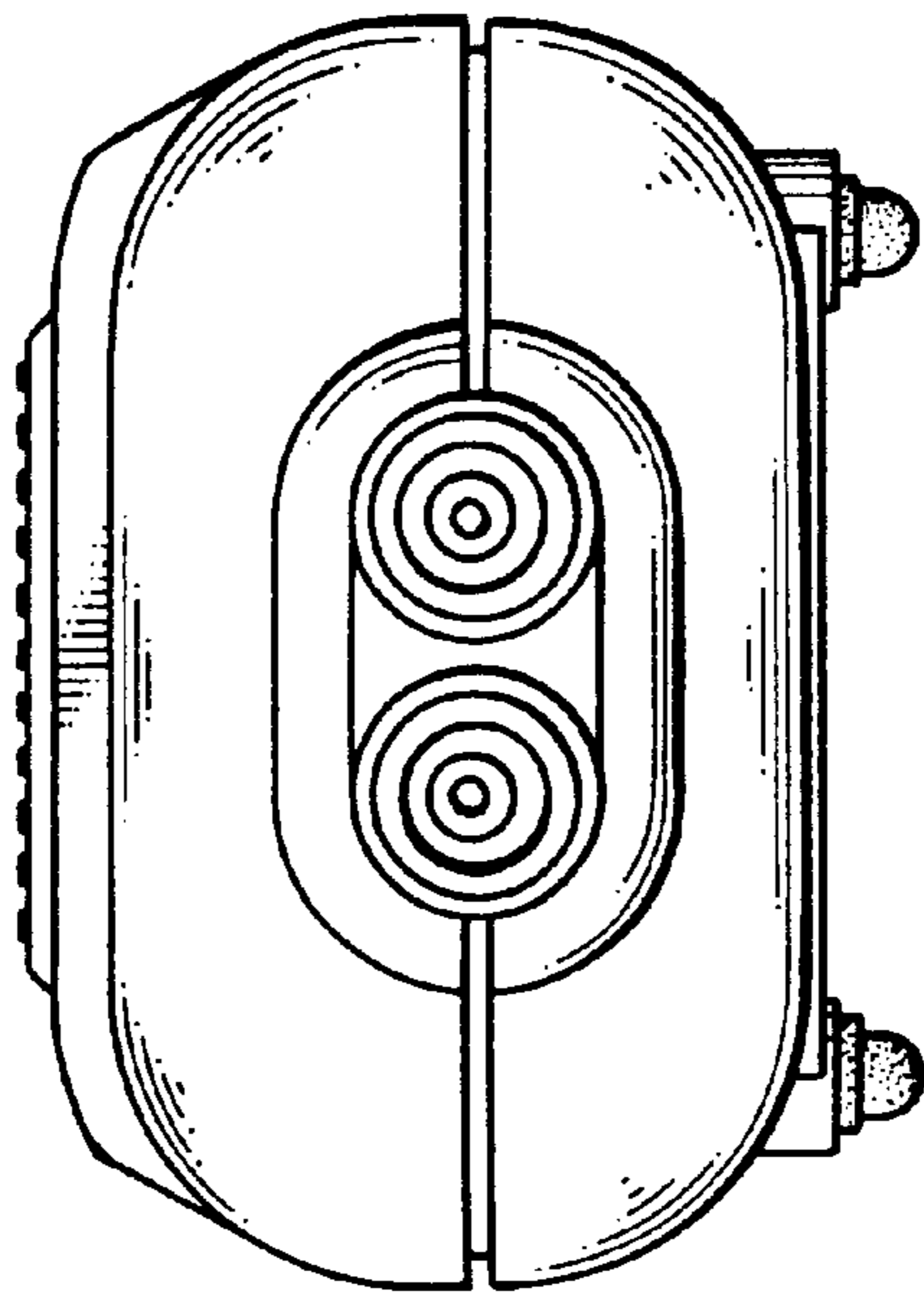


FIG. 2

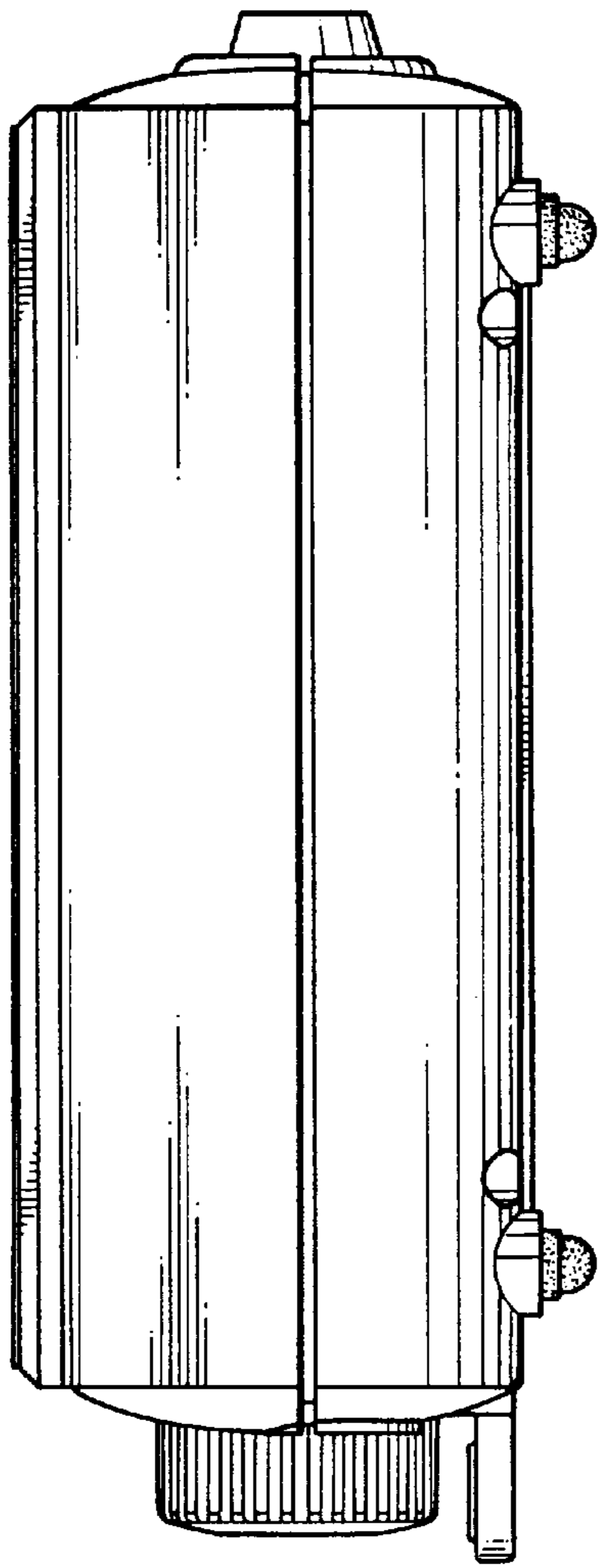


FIG. 4

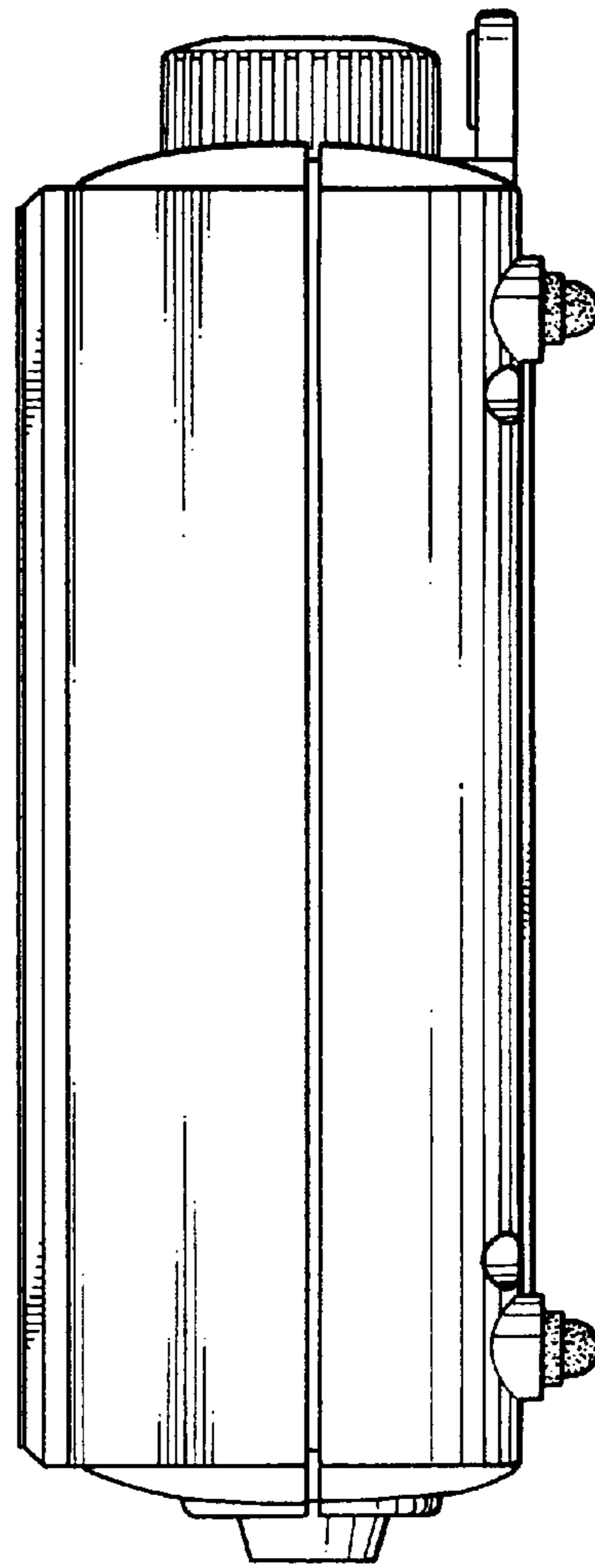


FIG. 5

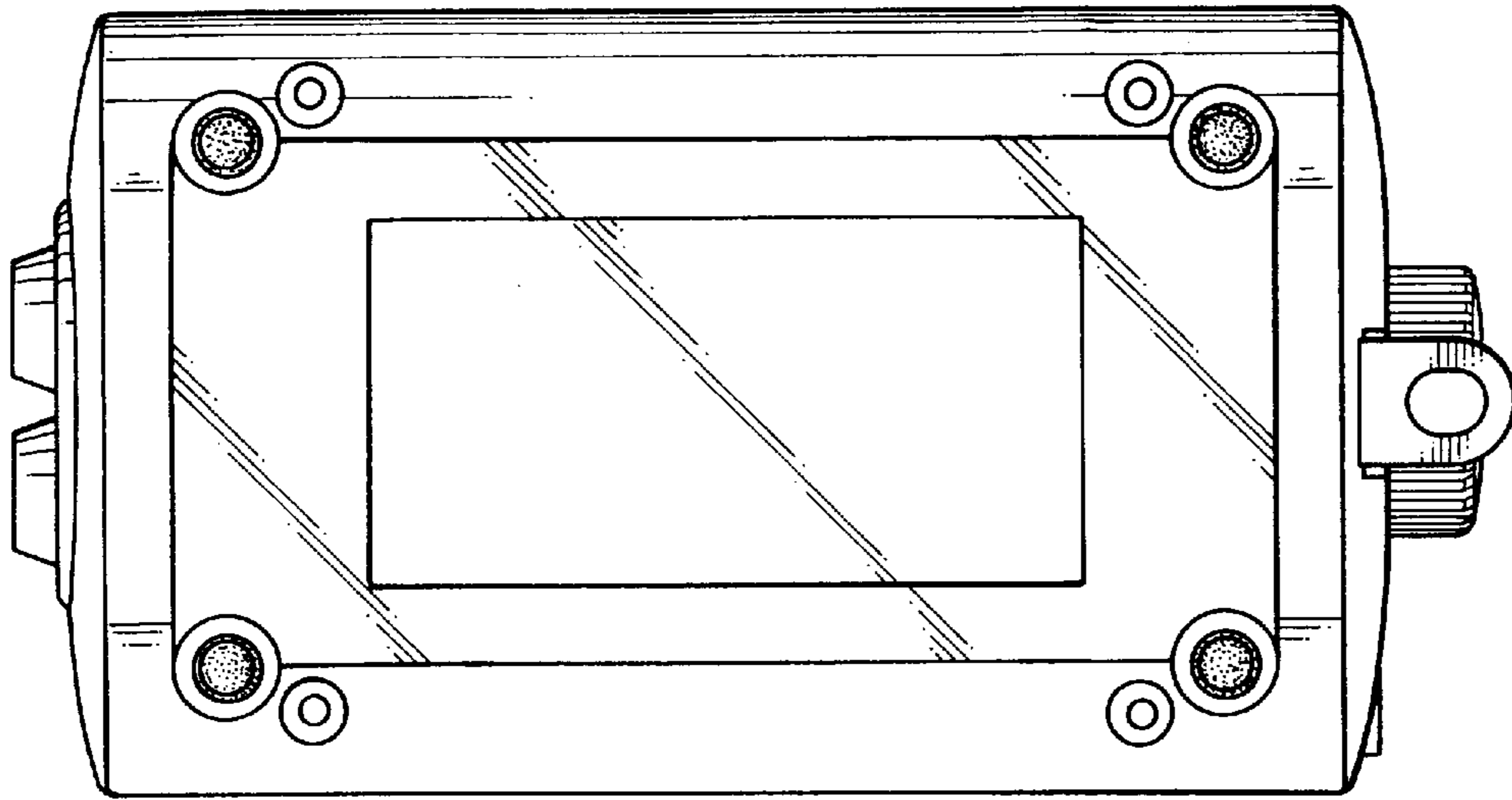


FIG. 7

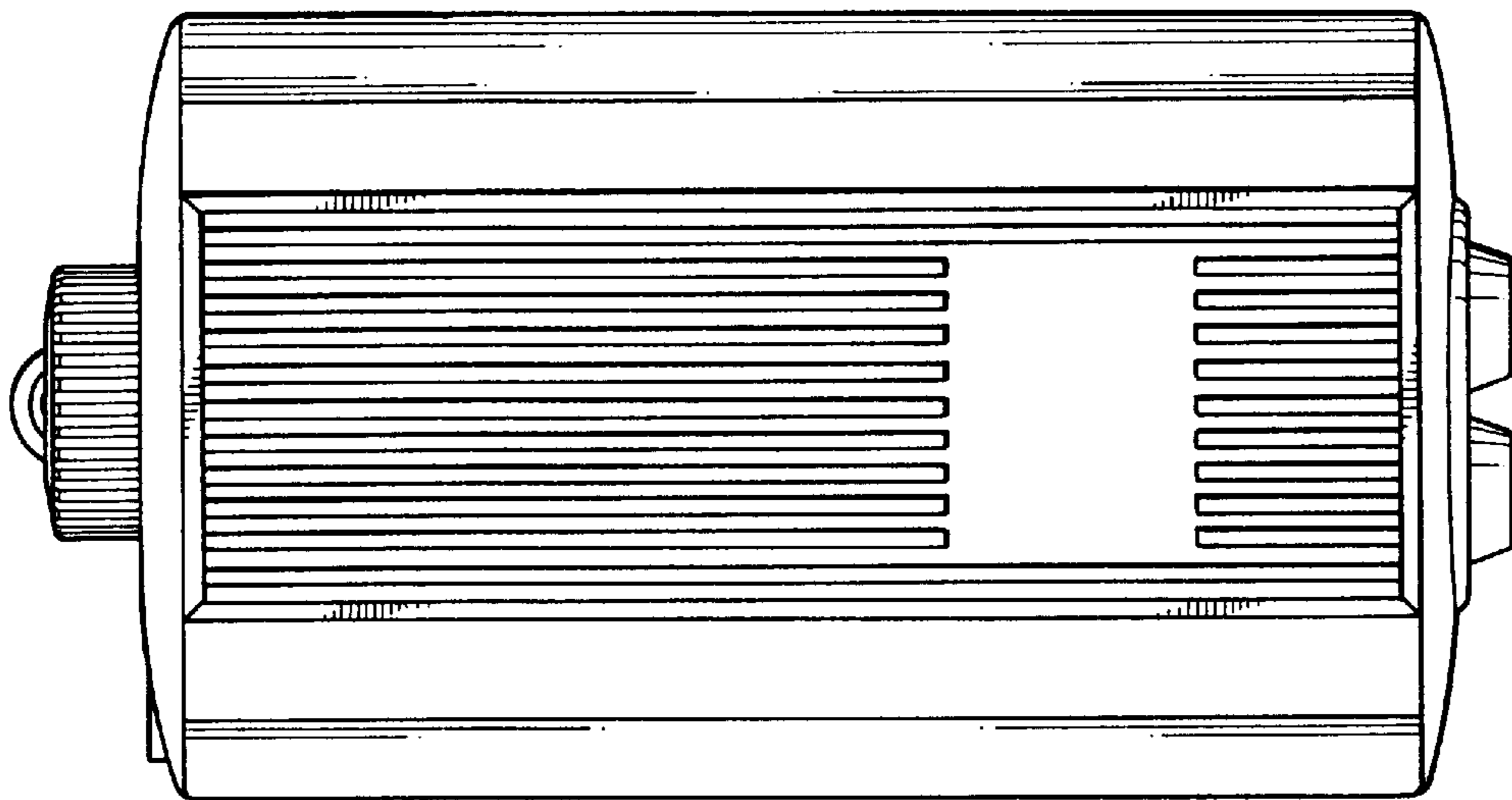


FIG. 6