



US00D426550S

United States Patent [19]

Khuu et al.

[11] **Patent Number: Des. 426,550**

[45] **Date of Patent: ** Jun. 13, 2000**

[54] **DISK CARTRIDGE**

[75] Inventors: **Hong Khuu**, Fremont; **Haldun Arin**, San Ramon, both of Calif.

[73] Assignee: **Iomega Corporation**, Roy, Utah

[**] Term: **14 Years**

[21] Appl. No.: **29/079,433**

[22] Filed: **Nov. 17, 1997**

[51] **LOC (7) Cl.** **14-02**

[52] **U.S. Cl.** **D14/435**

[58] **Field of Search** D14/100, 107, D14/114; D6/626-7; 360/60, 129, 132-3, 97.01-99.12; 206/312, 307, 308.1, 308.2, 472; 369/291, 273, 77.2

[56] **References Cited**

U.S. PATENT DOCUMENTS

- D. 311,391 10/1990 Ueshin et al. D14/114
- D. 378,518 3/1997 Sumner et al. D14/114
- D. 393,454 4/1998 Cruden et al. D14/114

- D. 405,438 2/1999 Nowell et al. D14/114
- D. 408,801 4/1999 Sumner et al. D14/114

Primary Examiner—M. H. Tung
Attorney, Agent, or Firm—Burns Doane Swecker & Mathis L.L.P.

[57] **CLAIM**

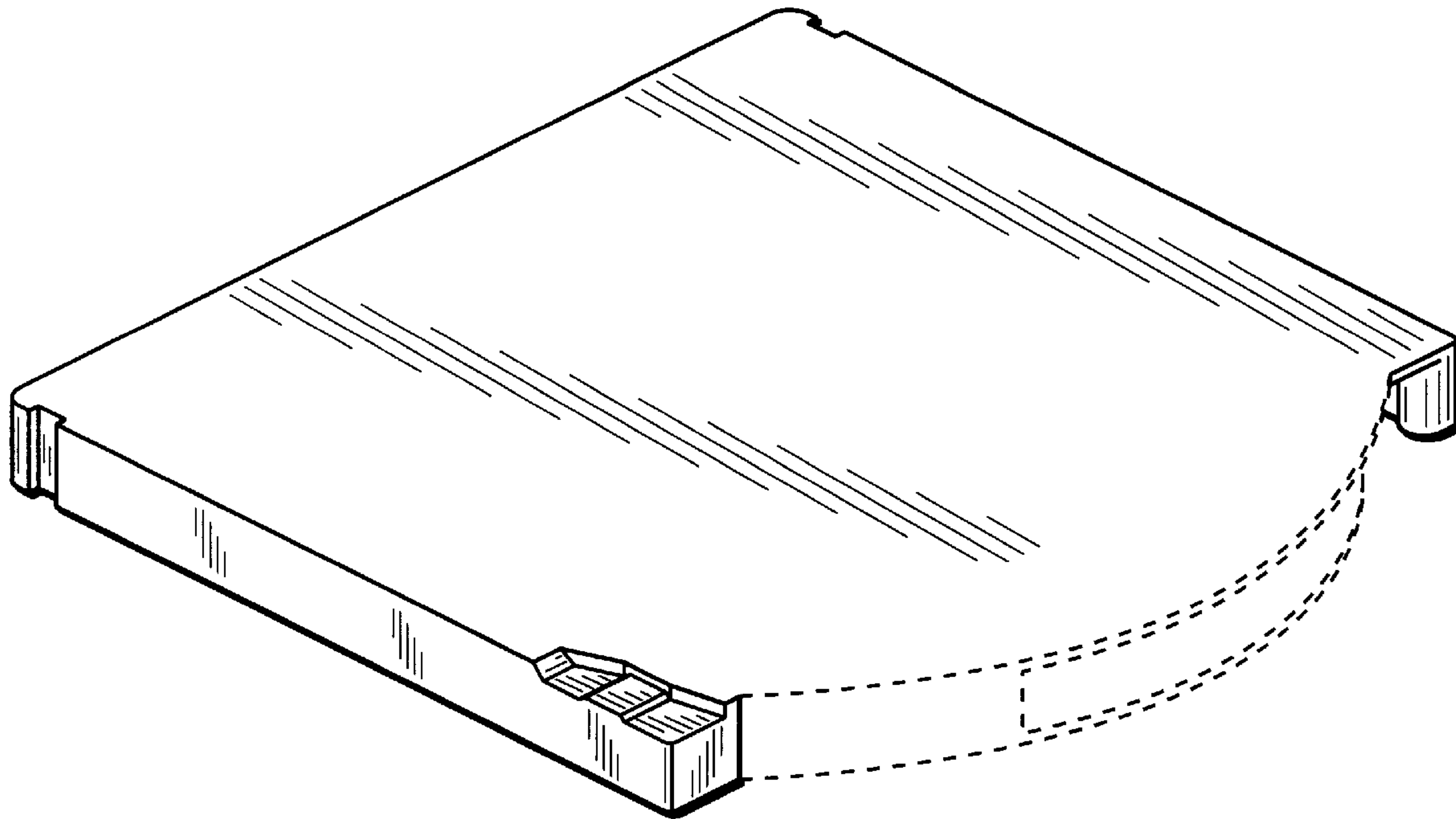
The ornamental design for a disk cartridge, as shown and described.

DESCRIPTION

FIG. 1 is a front perspective view of the disk cartridge on a reduced scale;
FIG. 2 is a top view thereof;
FIG. 3 is a back view thereof;
FIG. 4 is a bottom view thereof;
FIG. 5 is a front view thereof;
FIG. 6 is a right view thereof; and,
FIG. 7 is a left view thereof.

The broken line portions are for illustrative purposes only and form no part of the claimed design.

1 Claim, 3 Drawing Sheets



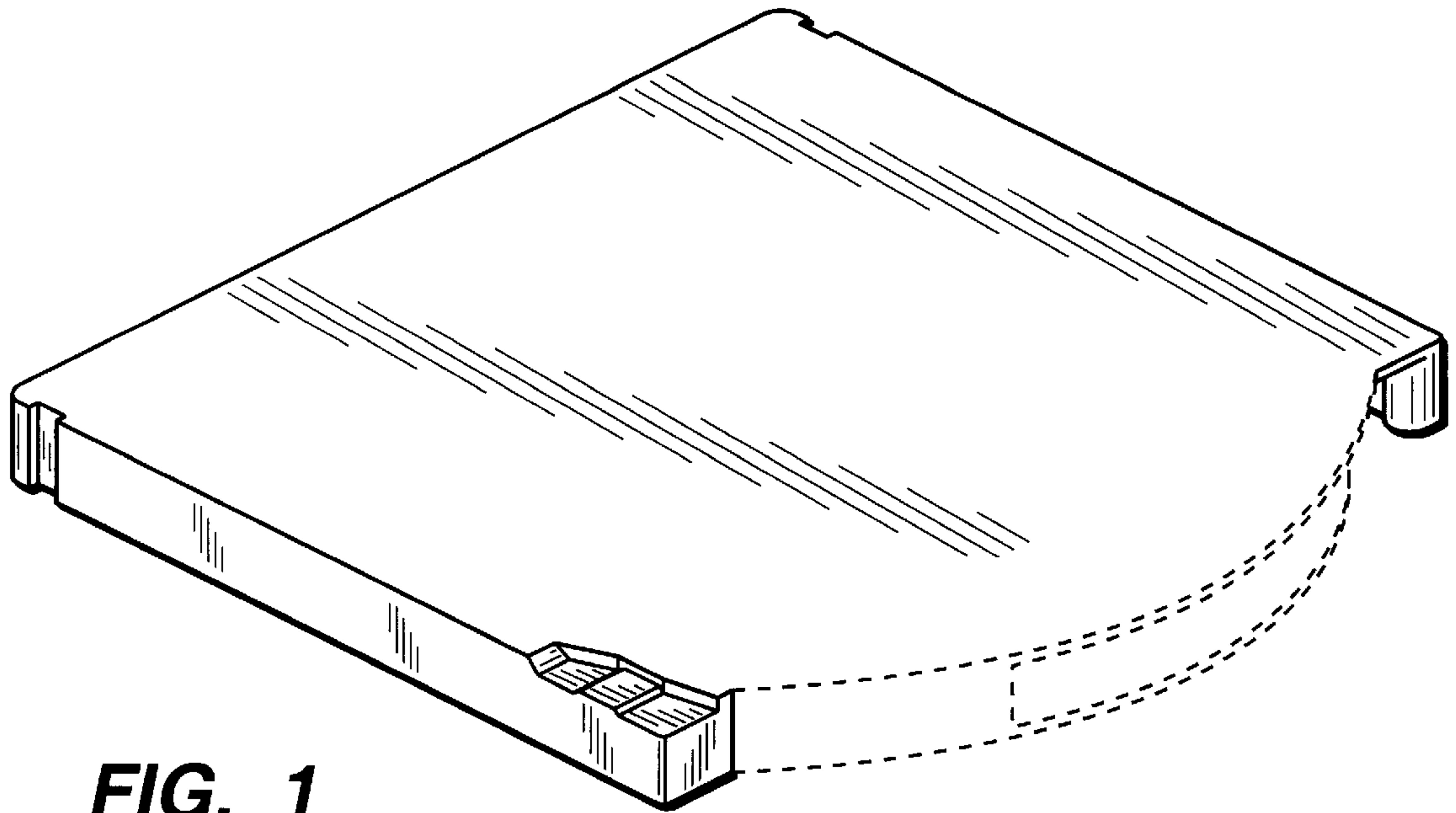


FIG._1

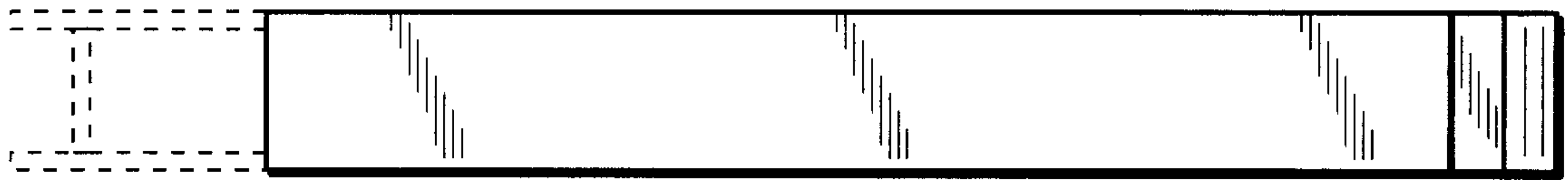


FIG._6

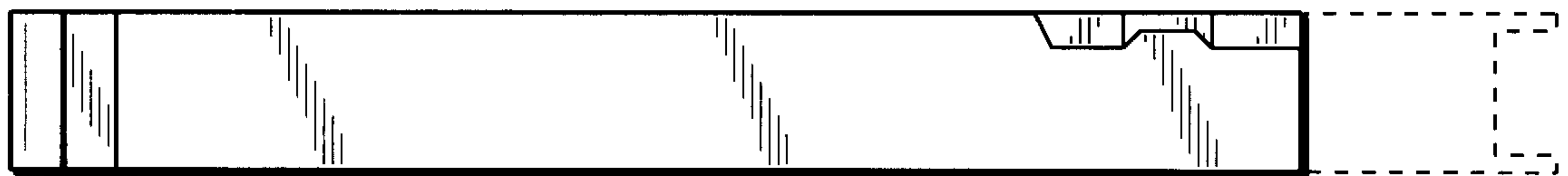


FIG._7

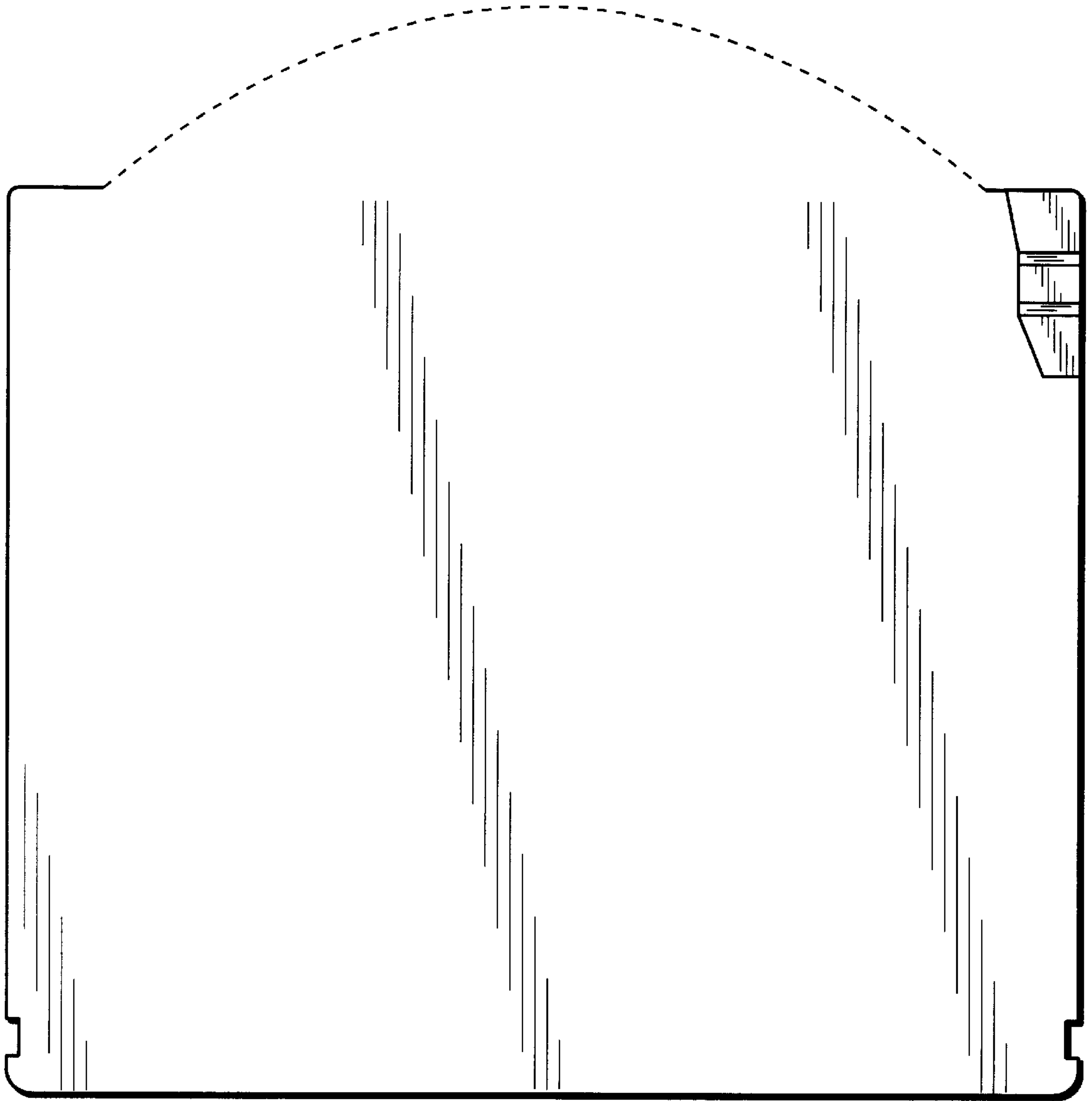


FIG._2

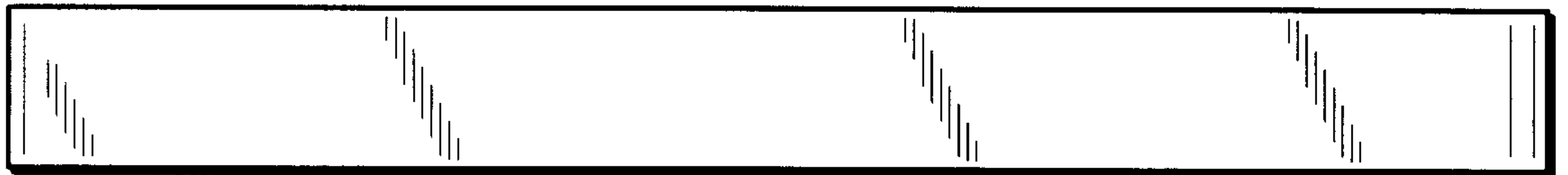


FIG._3

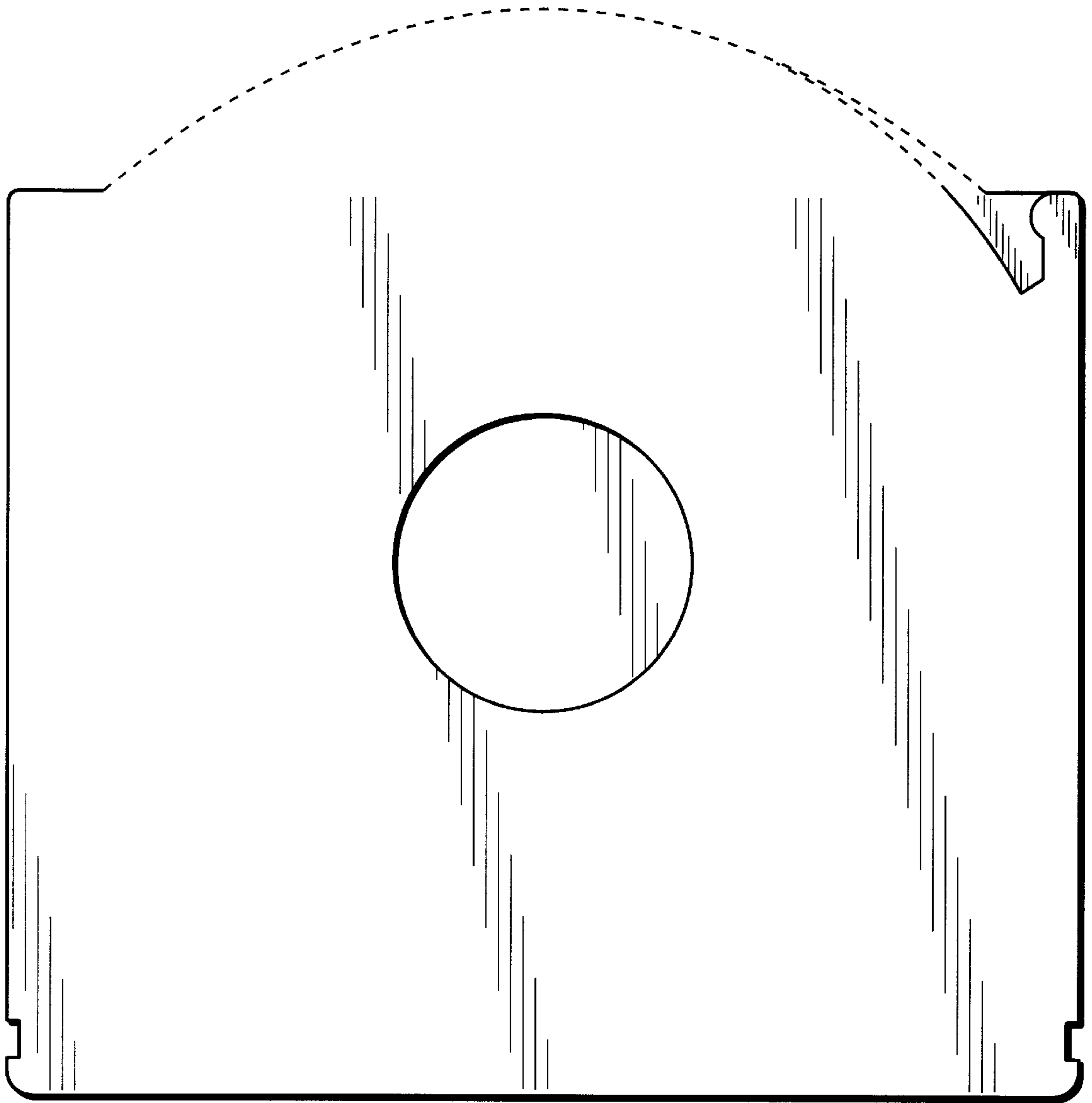


FIG._4



FIG._5