



US00D426548S

United States Patent [19]

[11] **Patent Number: Des. 426,548**

Oross et al.

[45] **Date of Patent: ** Jun. 13, 2000**

[54] **GRIP FOR A PORTABLE COMPUTING DEVICE**

D. 405,437 2/1999 Klinker D14/432
D. 415,476 10/1999 Nava et al. D14/315

[75] Inventors: **Glen A Oross**, Corvallis, Oreg.;
Jacques H Helot, San Mateo;
Masahiko Muranami, San Jose, both
of Calif.

Primary Examiner—Kay H. Chin

[73] Assignee: **Hewlett-Packard Company**, Palo Alto,
Calif.

[57] **CLAIM**

[**] Term: **14 Years**

The ornamental design for a grip for a portable computing device, as shown and described.

[21] Appl. No.: **29/111,033**

DESCRIPTION

[22] Filed: **Sep. 16, 1999**

FIG. 1 is a perspective view of a grip for a portable computing device showing our new design, where the top portion of the portable computing device is in a closed position;

[51] **LOC (7) Cl.** **14-02**

[52] **U.S. Cl.** **D14/432**

[58] **Field of Search** D14/300, 315,
D14/324, 328, 432, 440, 229; D8/303,
313

FIG. 2 is a top plan view thereof, where the top portion of the portable computing device is in an open position;

FIG. 3 is a top plan view thereof in the closed position;

FIG. 4 is a bottom plan view thereof;

FIG. 5 is a front elevational view thereof;

FIG. 6 is a back elevational view thereof;

FIG. 7 is a right side elevational view thereof; and,

FIG. 8 is a left side elevational view thereof.

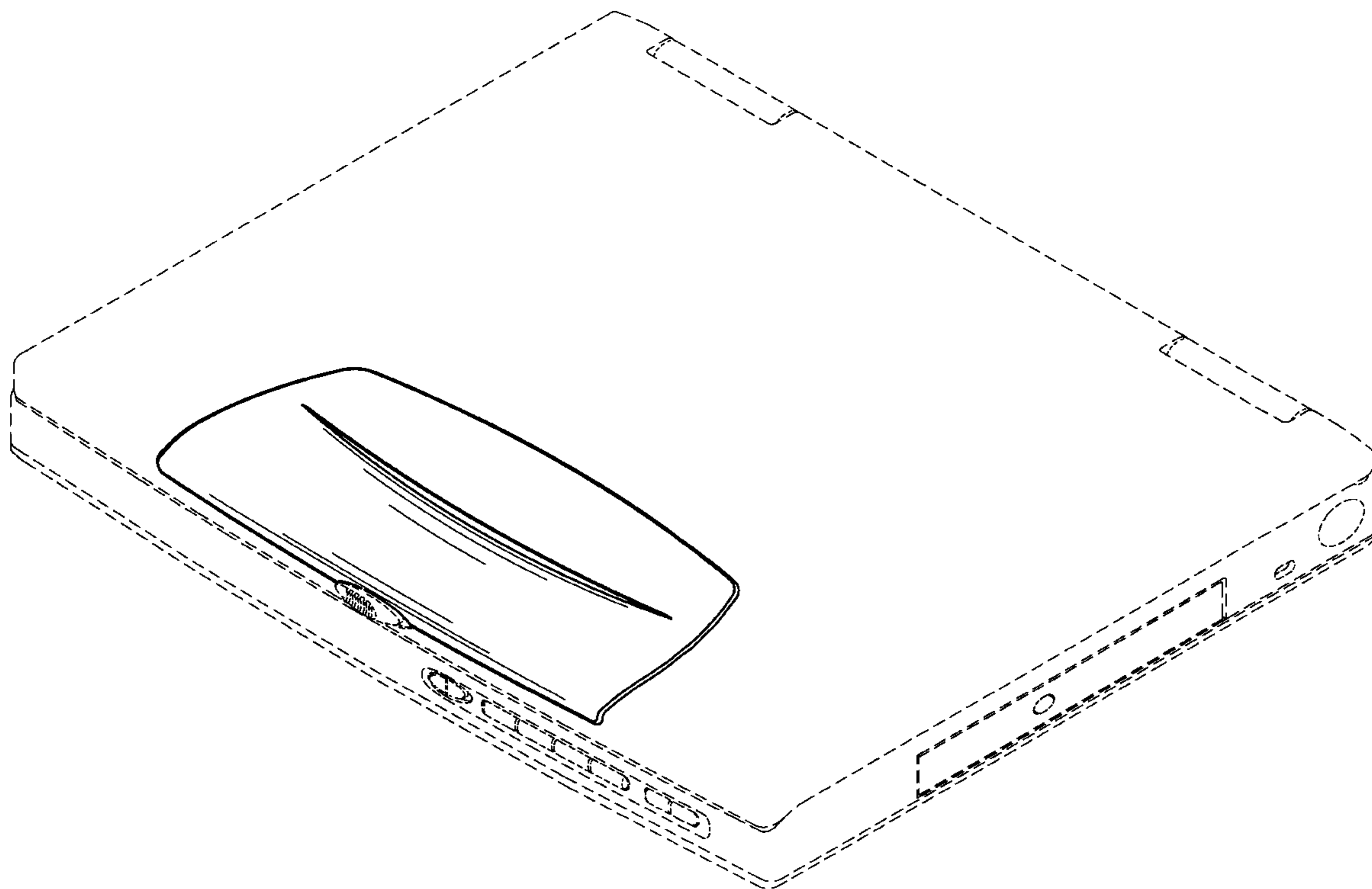
The broken line showing of a portable computing device in FIGS. 1–8 are environmental only and form no part of the claimed design.

[56] **References Cited**

U.S. PATENT DOCUMENTS

D. 328,455 8/1992 Izaki D14/315
D. 392,625 3/1998 Tang et al. D14/315

1 Claim, 6 Drawing Sheets



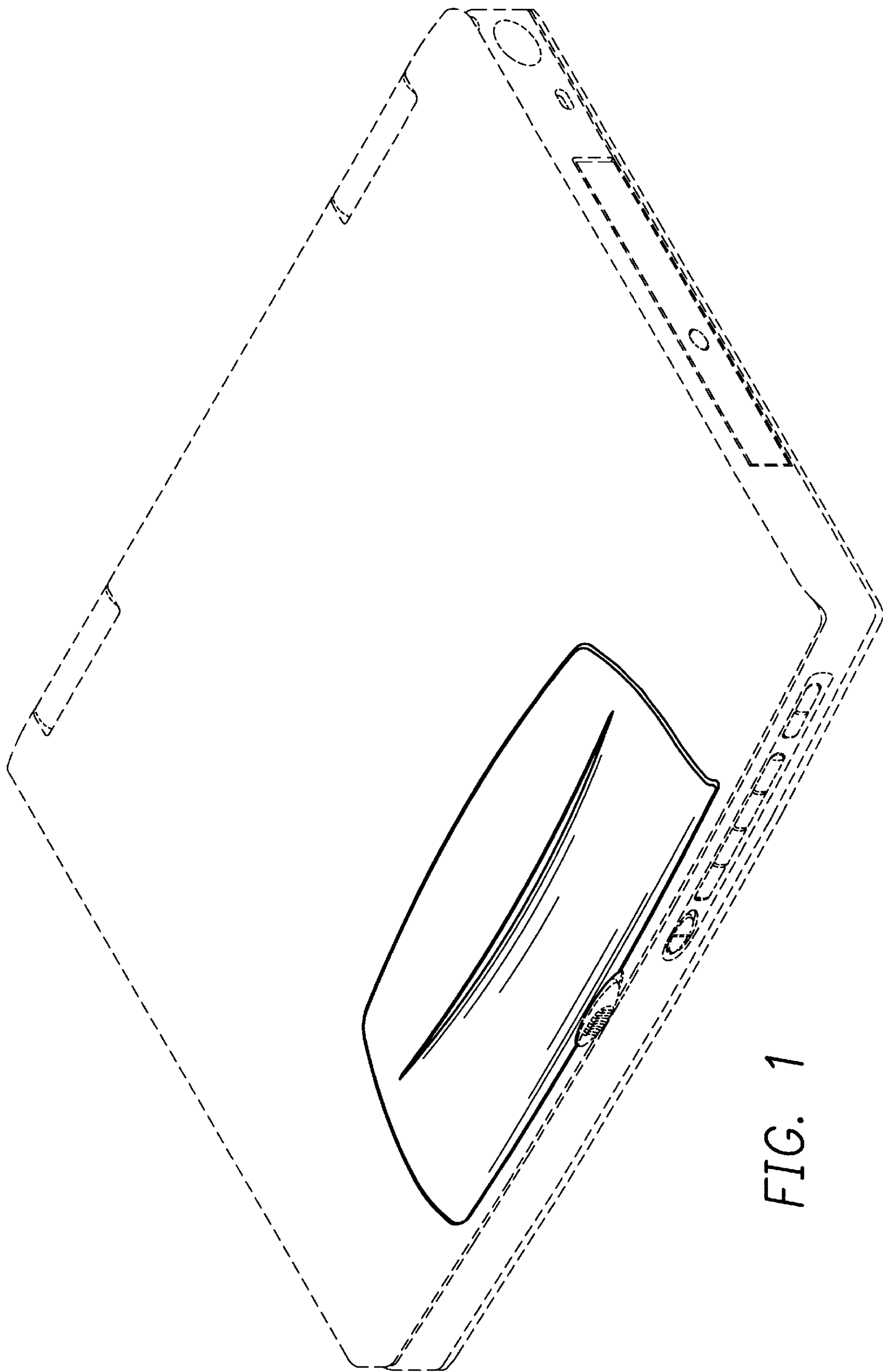


FIG. 1

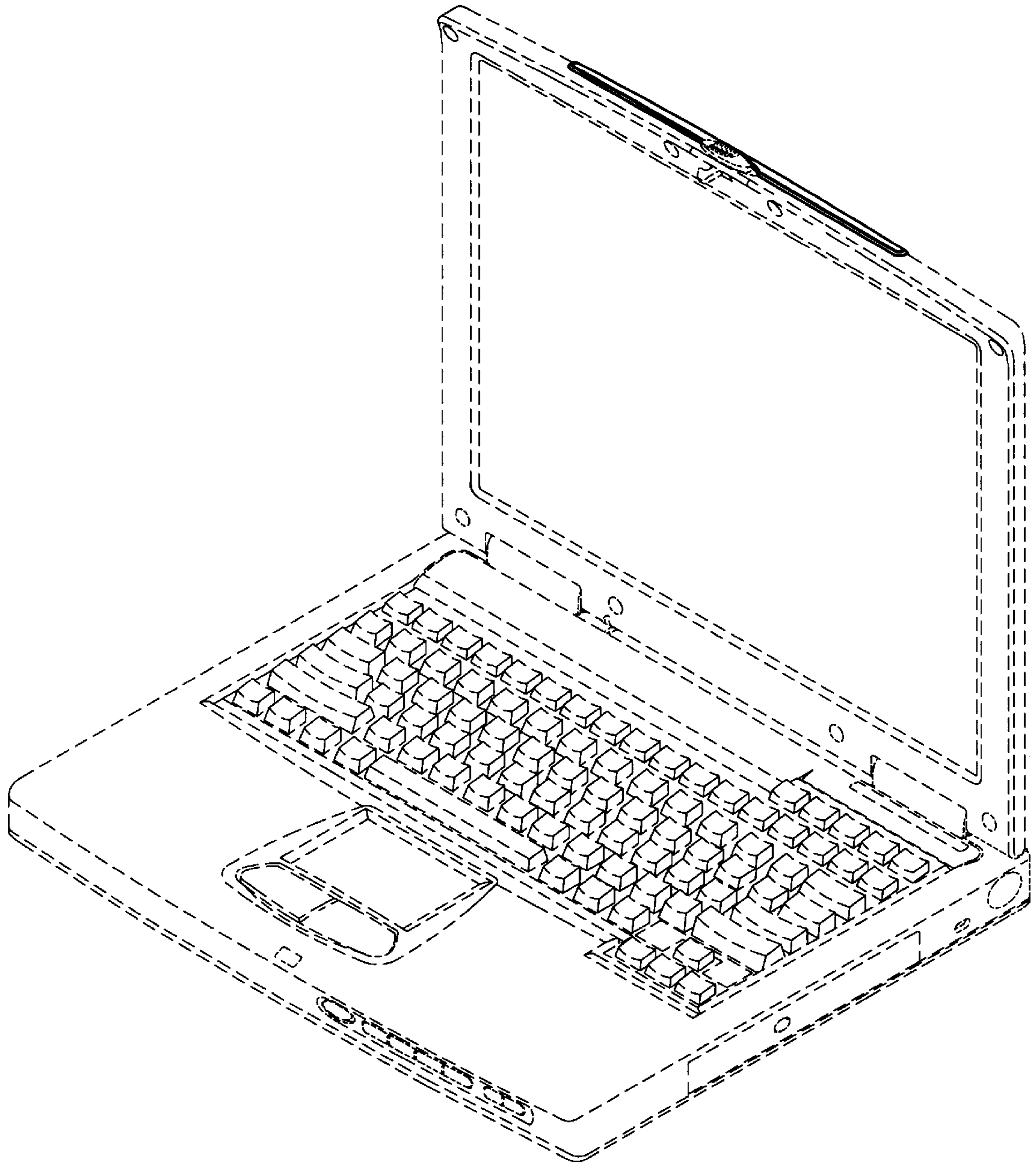


FIG. 2

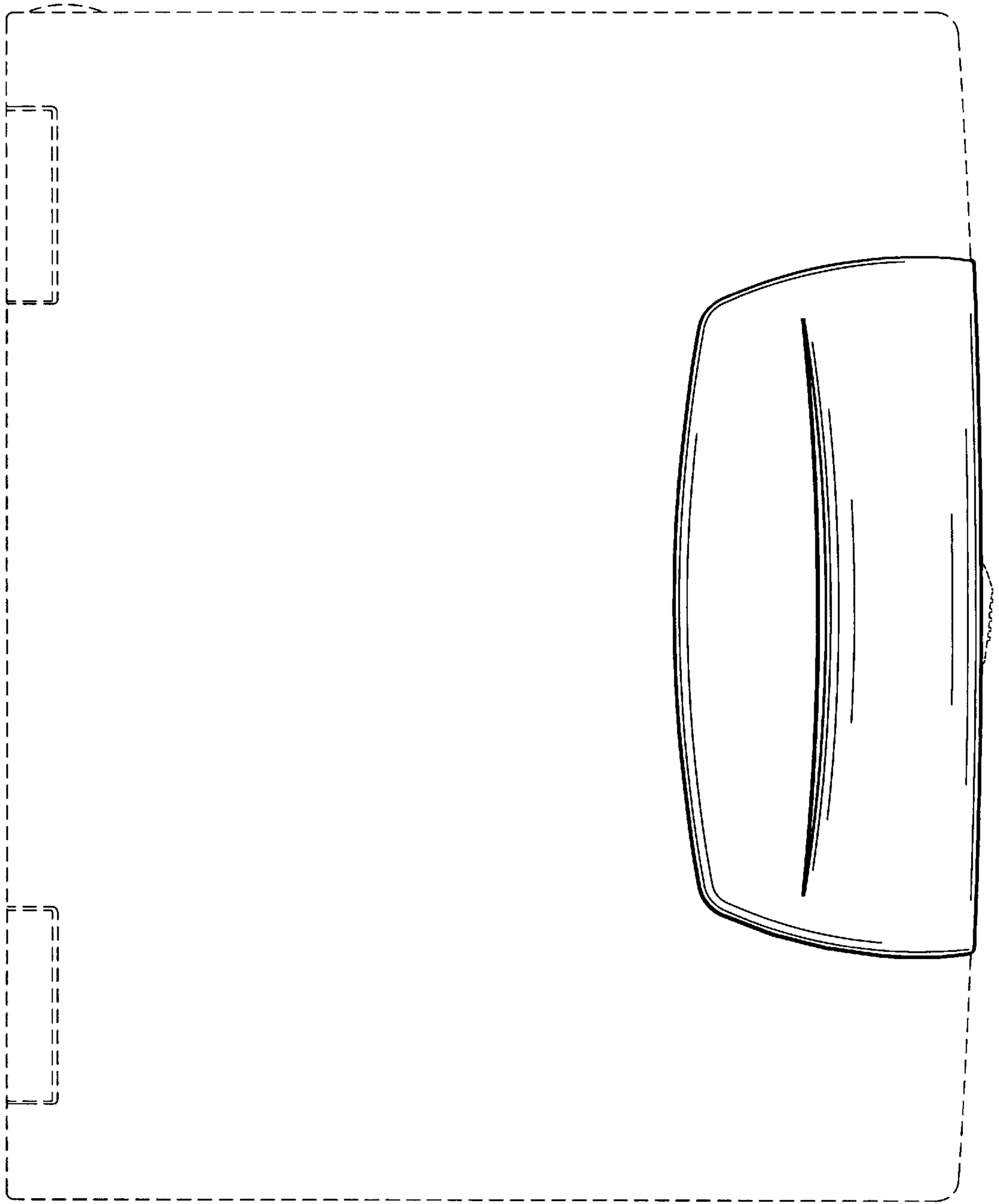


FIG. 3

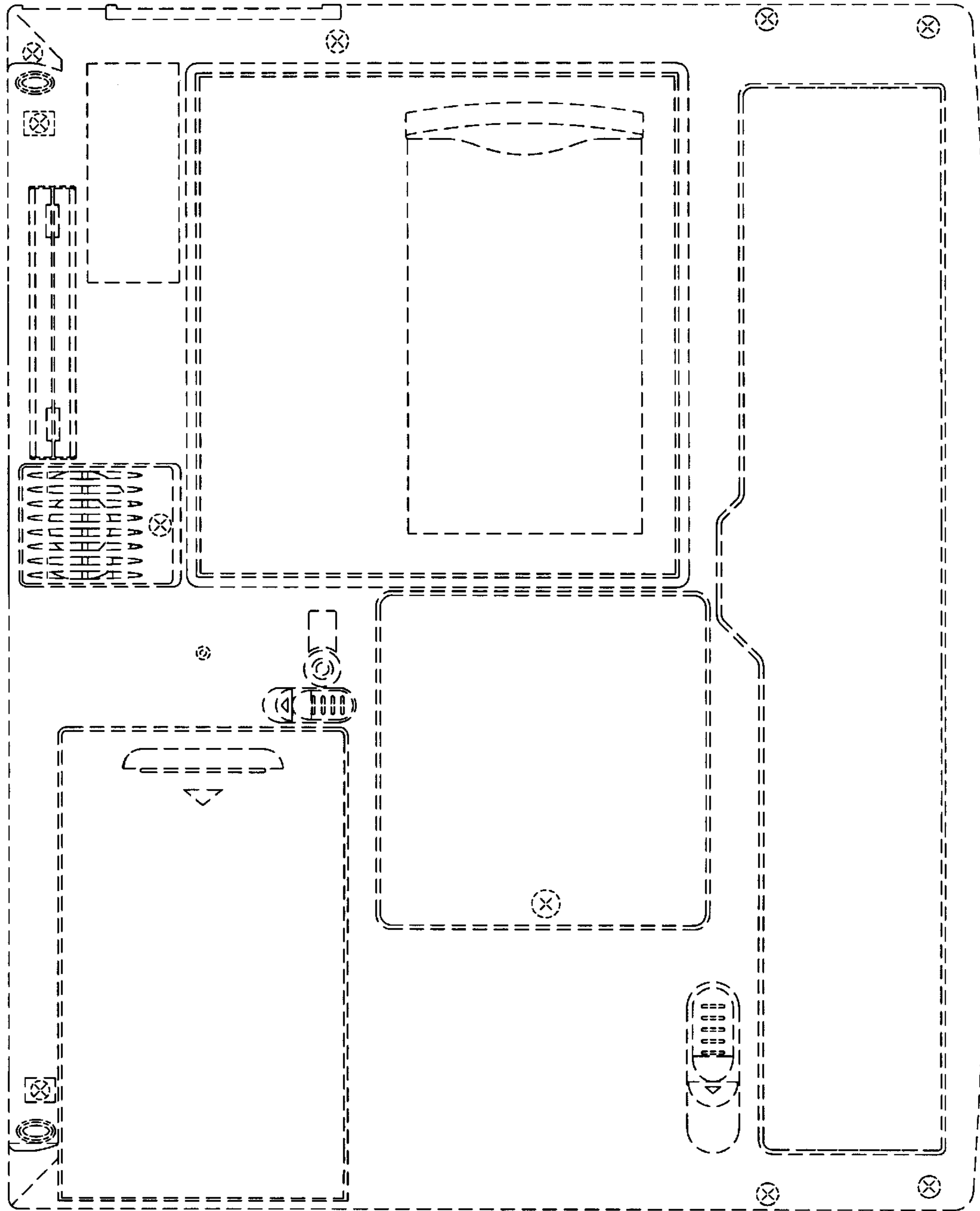


FIG. 4

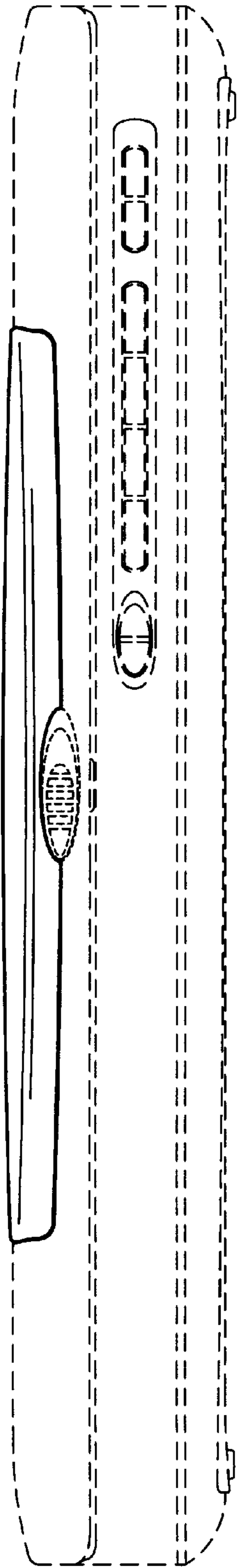


FIG. 5

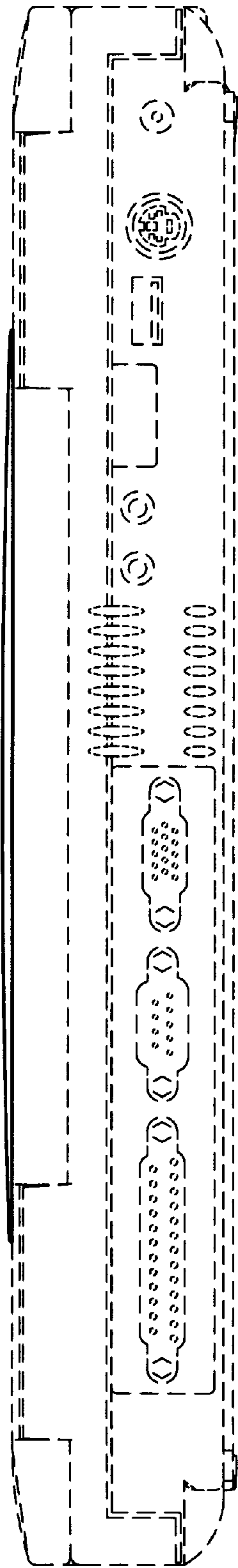


FIG. 6

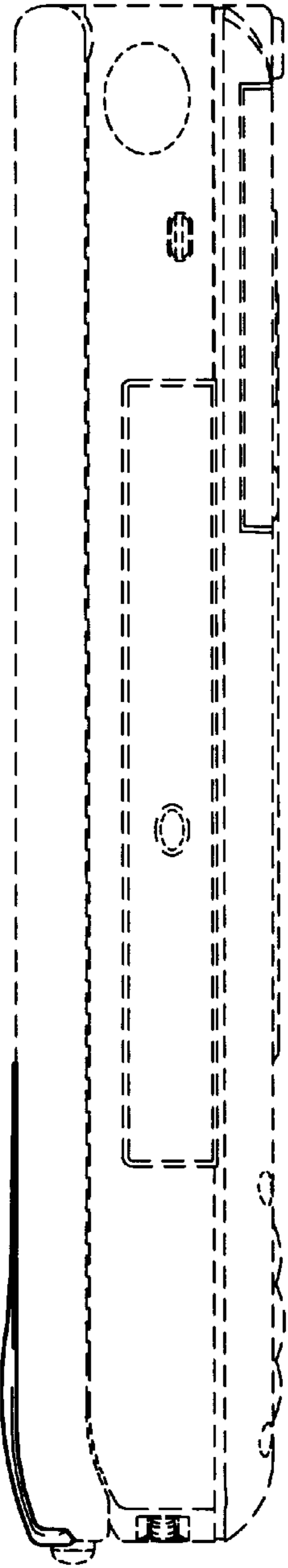


FIG. 7

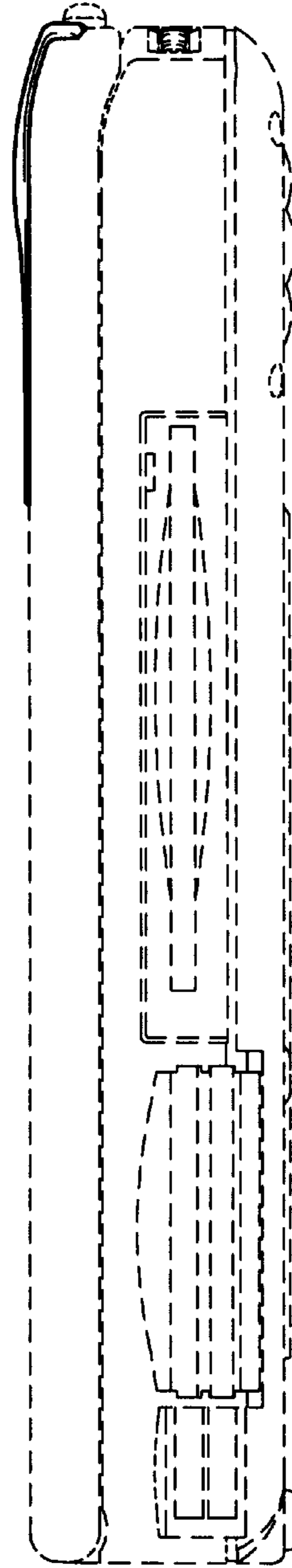


FIG. 8