



US00D426547S

# United States Patent [19]

Khovaylo et al.

[11] **Patent Number: Des. 426,547**

[45] **Date of Patent: \*\* Jun. 13, 2000**

[54] **SCANNER BODY FRONT END PORTION**

D. 318,654	7/1991	Huang	.....	D14/425
D. 340,233	10/1993	Takahashi	.....	D14/425
D. 350,733	9/1994	Masujima	.....	D14/425

[75] Inventors: **Modest Khovaylo; James C. Dow**,  
both of Fort Collins, Colo.

[73] Assignee: **Hewlett-Packard Company**, Palo Alto,  
Calif.

*Primary Examiner*—Freda Nunn

[\*\*] Term: **14 Years**

### [57] CLAIM

[21] Appl. No.: **29/114,531**

The ornamental design for a scanner body front end portion,  
as shown and described.

[22] Filed: **Nov. 23, 1999**

### DESCRIPTION

#### Related U.S. Application Data

[62] Division of application No. 29/107,788, Jul. 12, 1999, which  
is a division of application No. 29/100,743, Feb. 17, 1999,  
Pat. No. Des. 419,140, which is a division of application No.  
29/094,295, Sep. 29, 1998, Pat. No. Des. 410,444, which is  
a division of application No. 29/075,936, Aug. 28, 1997, Pat.  
No. Des. 416,874.

FIG. 1 is an isometric view of a scanner body front end  
portion;

[51] **LOC (7) Cl.** ..... **14-02**

[52] **U.S. Cl.** ..... **D14/425; D14/441**

FIG. 2 is a bottom plan view of a scanner body front end  
portion;

[58] **Field of Search** ..... D14/421, 425,  
D14/441; D16/208, 214, 223, 232, 202;  
250/556; 235/454, 476

FIG. 3 is a top plan view of a scanner body front end  
portion;  
FIG. 4 is a front elevational view of a scanner body front end  
portion;

#### [56] References Cited

FIG. 5 is a left side elevational view of a scanner body front  
end portion; and,

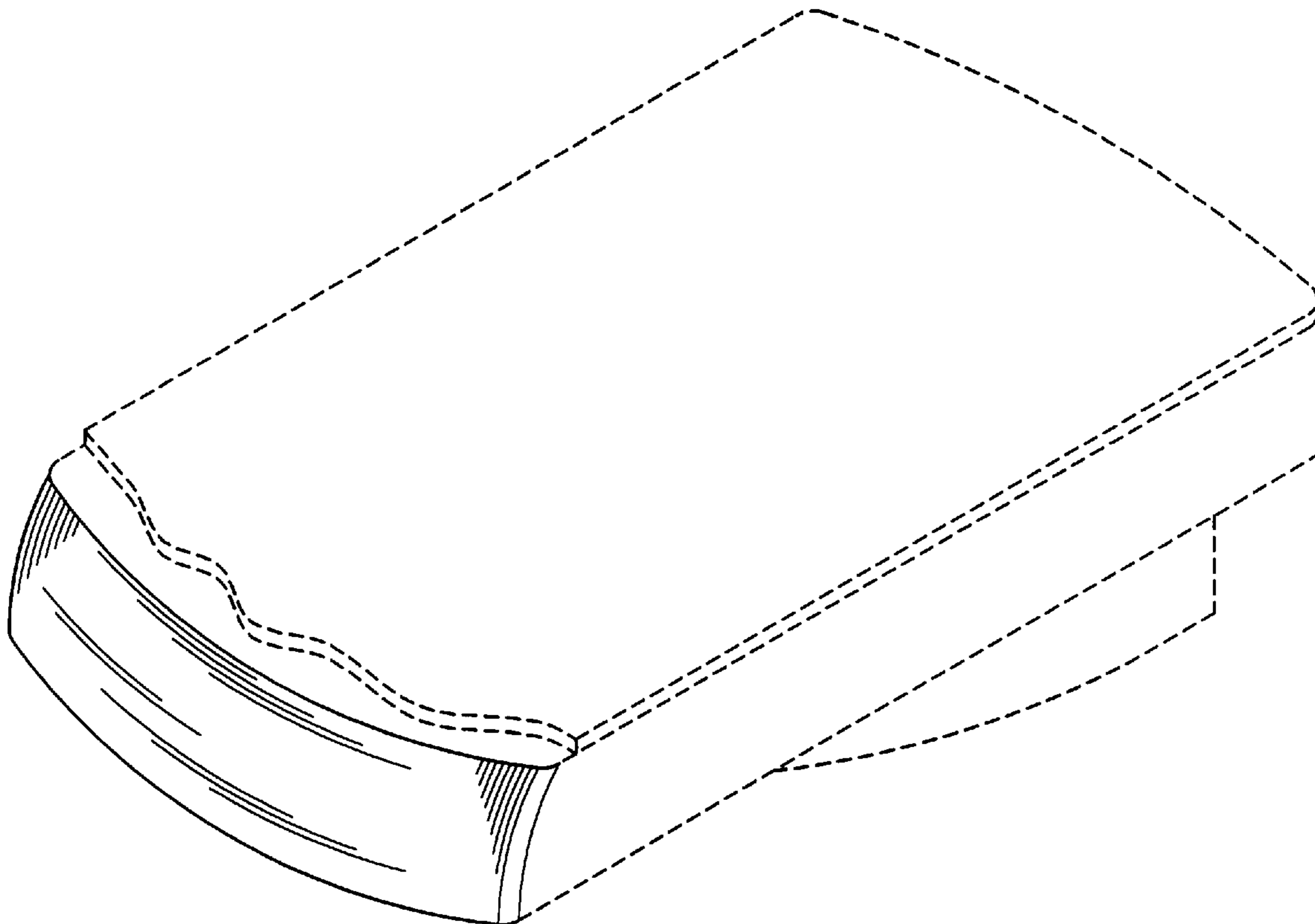
#### U.S. PATENT DOCUMENTS

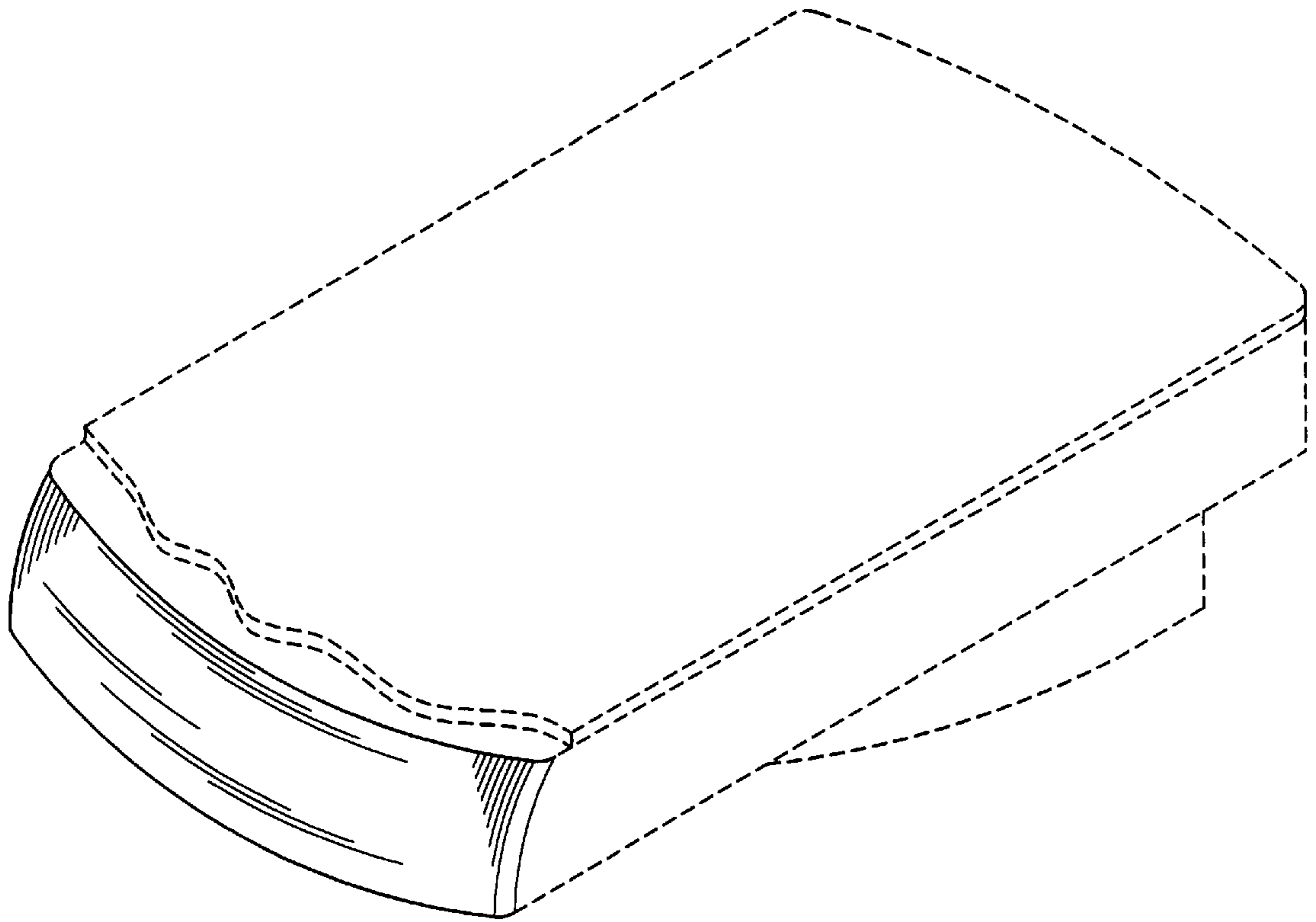
D. 303,660 9/1989 Yamagiwa et al. .... D14/425

FIG. 6 is a right side elevational view of a scanner body front  
end portion.

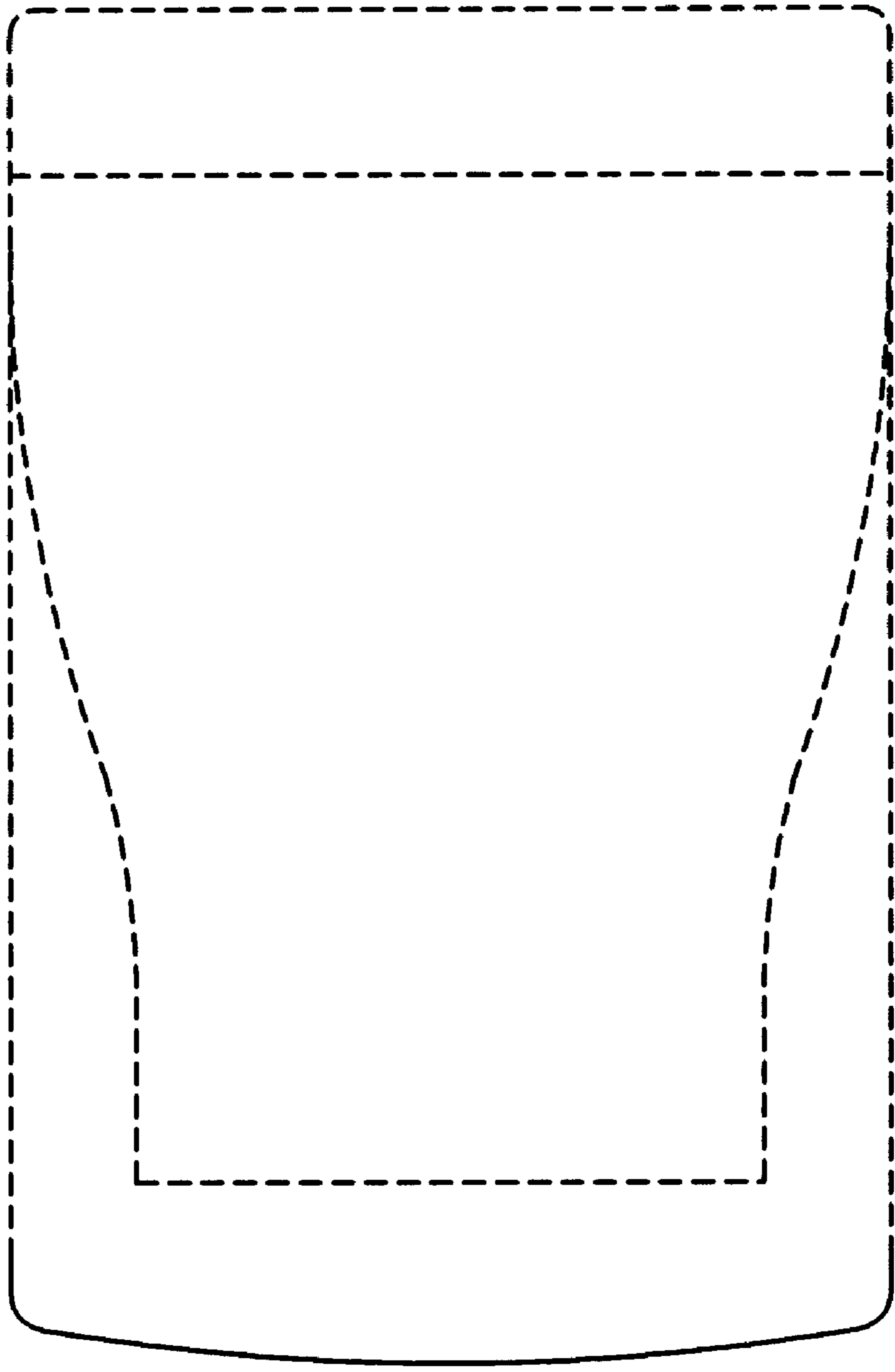
The broken lines are shown in the views for illustrative  
purposes only and form no part of the claimed design.

**1 Claim, 4 Drawing Sheets**

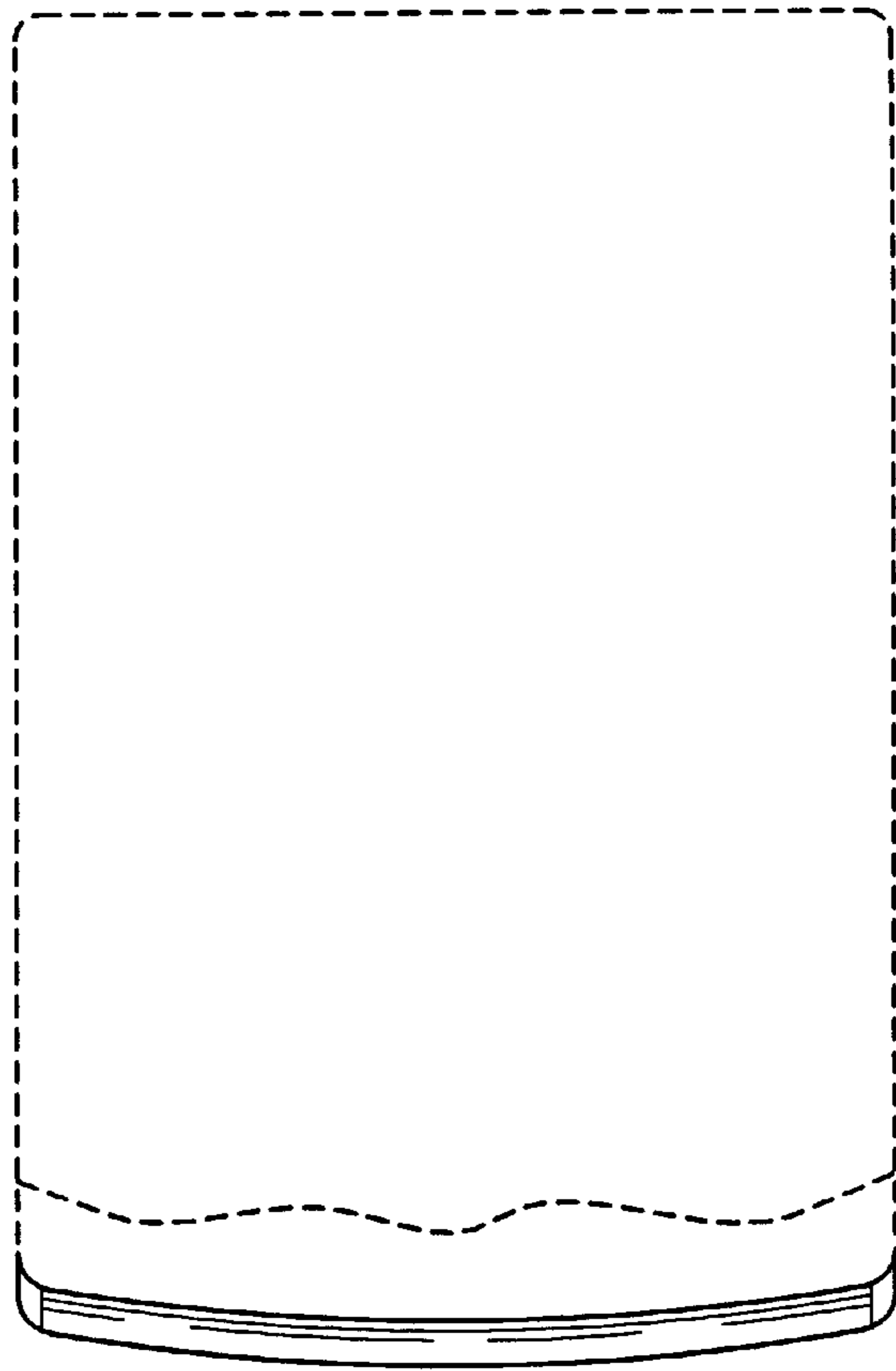




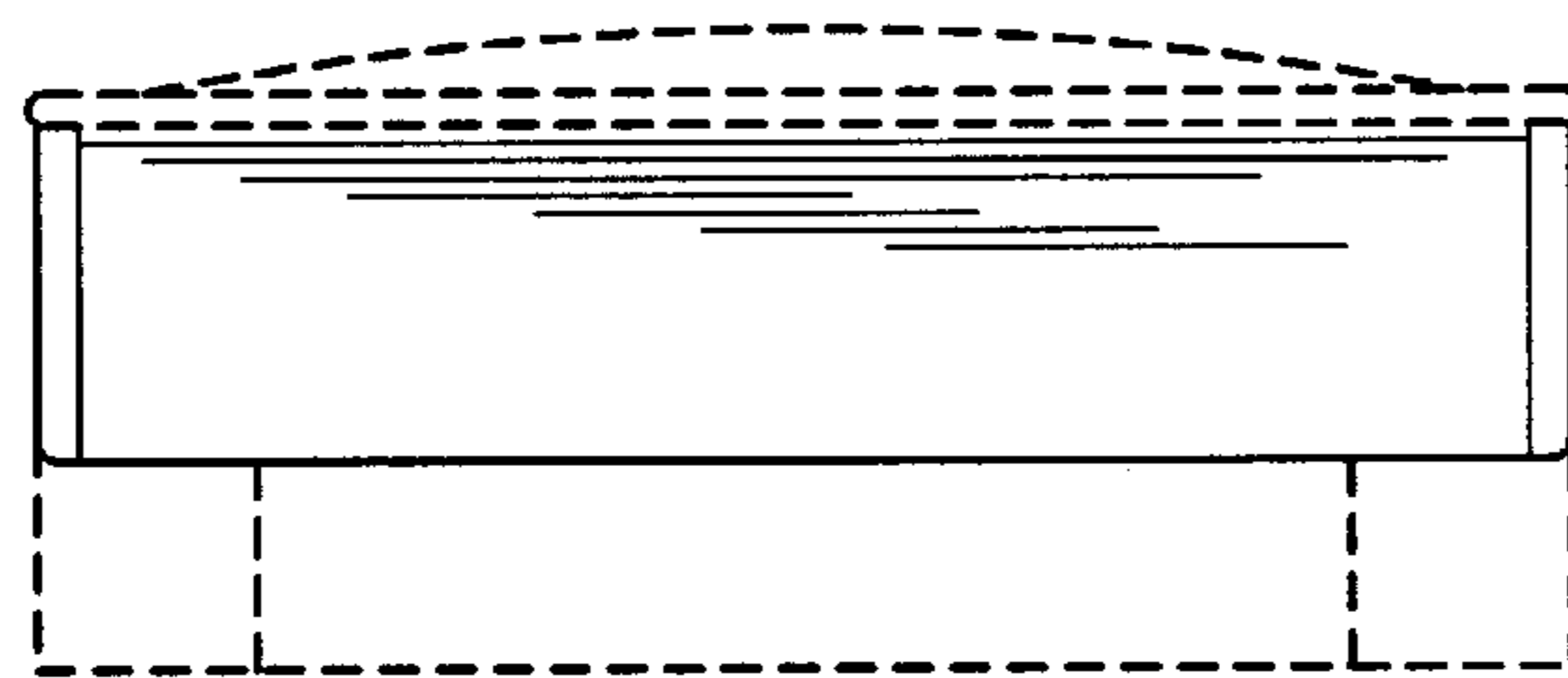
**FIG. 1**



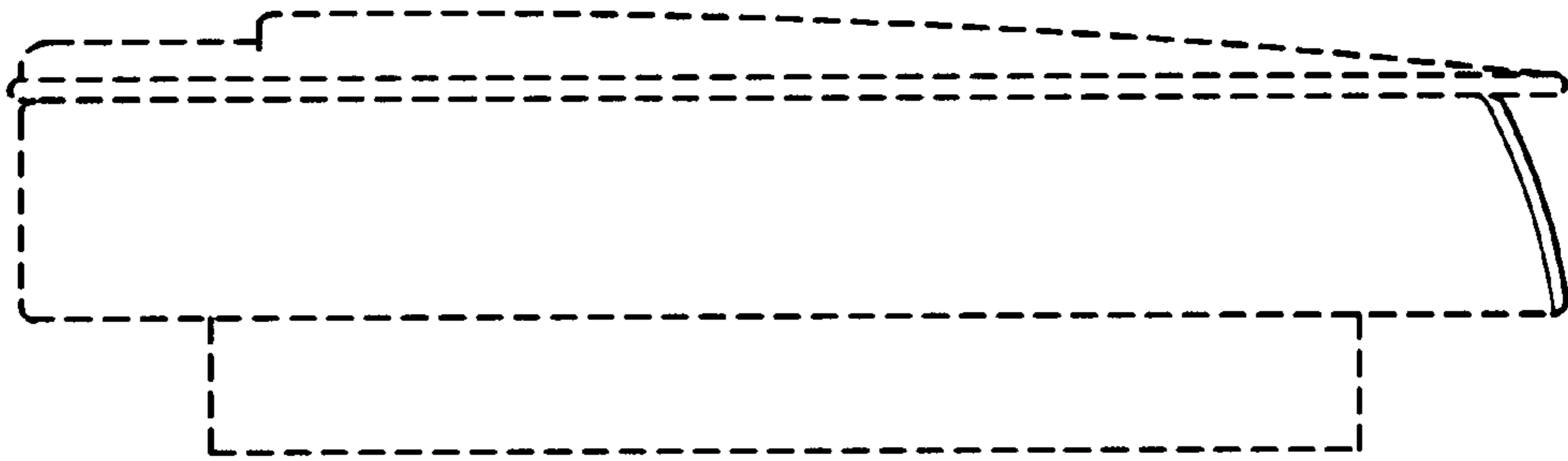
**FIG. 2**



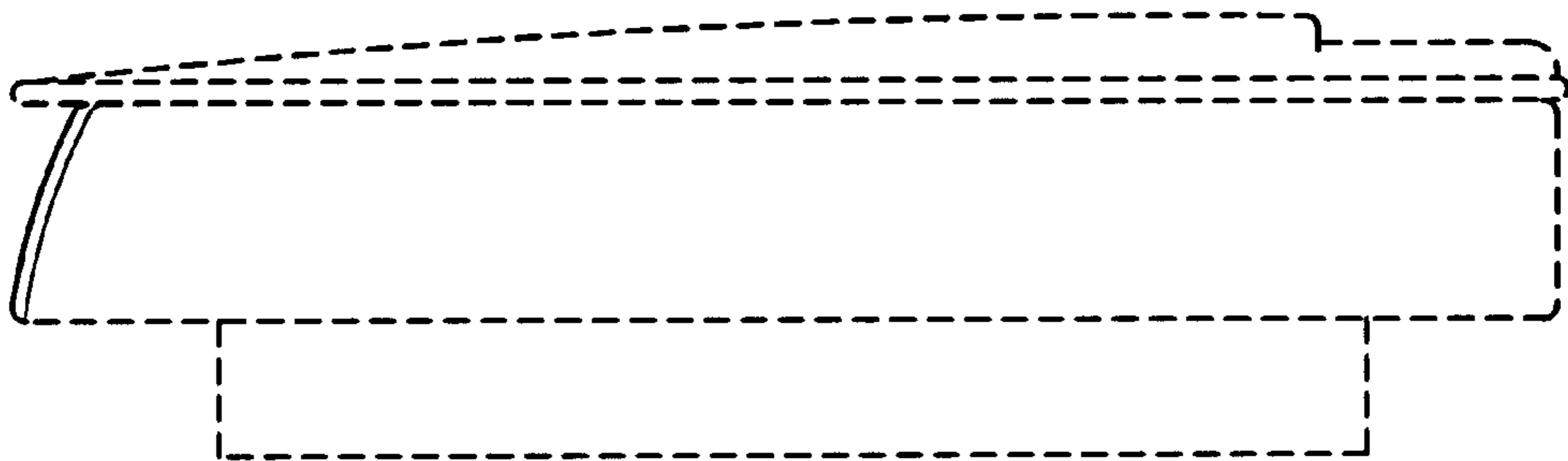
**FIG. 3**



**FIG. 4**



**FIG. 5**



**FIG. 6**