



US00D426540S

# United States Patent [19] Tejima

[11] **Patent Number: Des. 426,540**

[45] **Date of Patent: \*\* Jun. 13, 2000**

[54] **STAND**

[75] Inventor: **Keisuke Tejima**, Tokyo, Japan

[73] Assignee: **Sony Corporation**, Japan

[\*\*] Term: **14 Years**

[21] Appl. No.: **29/097,747**

[22] Filed: **Dec. 11, 1998**

[51] **LOC (7) Cl.** ..... **14-01**

[52] **U.S. Cl.** ..... **D14/224**

[58] **Field of Search** ..... D6/449, 466, 486;  
D8/373; D14/224, 227, 229; D20/16, 17,  
41; 248/121, 125.1, 125.7, 146, 176.1,  
188.1, 188.4

[56] **References Cited**

**U.S. PATENT DOCUMENTS**

D. 62,337	5/1923	Nutrizio	.....	D6/449
D. 140,291	2/1945	Nisenson	.....	D8/373
D. 205,115	6/1966	Choiniere	.....	D6/449
D. 318,672	7/1991	Derain	.....	D14/224
D. 360,779	8/1995	Allekotte et al.	.....	D6/449
D. 400,735	11/1998	House et al.	.....	D6/466

**OTHER PUBLICATIONS**

Accessory Catalog No. 63; Sony; Mar. 1998; pp. 349-351.

*Primary Examiner*—Nanda Bondade

*Attorney, Agent, or Firm*—Rader, Fishman & Grauer

[57] **CLAIM**

The ornamental design for a stand, as shown and described.

**DESCRIPTION**

FIG. 1 is a perspective view of a first embodiment of a stand showing my new design;

FIG. 2 is a top plan view thereof;

FIG. 3 is a left side elevational view thereof;

FIG. 4 is a front elevational view thereof;

FIG. 5 is a bottom plan view thereof;

FIG. 6 is a right side elevational view thereof; and

FIG. 7 is a rear elevational view thereof.

FIG. 8 is a perspective view of a second embodiment of a stand showing my new design;

FIG. 9 is a top plan view thereof;

FIG. 10 is a left side elevational view thereof;

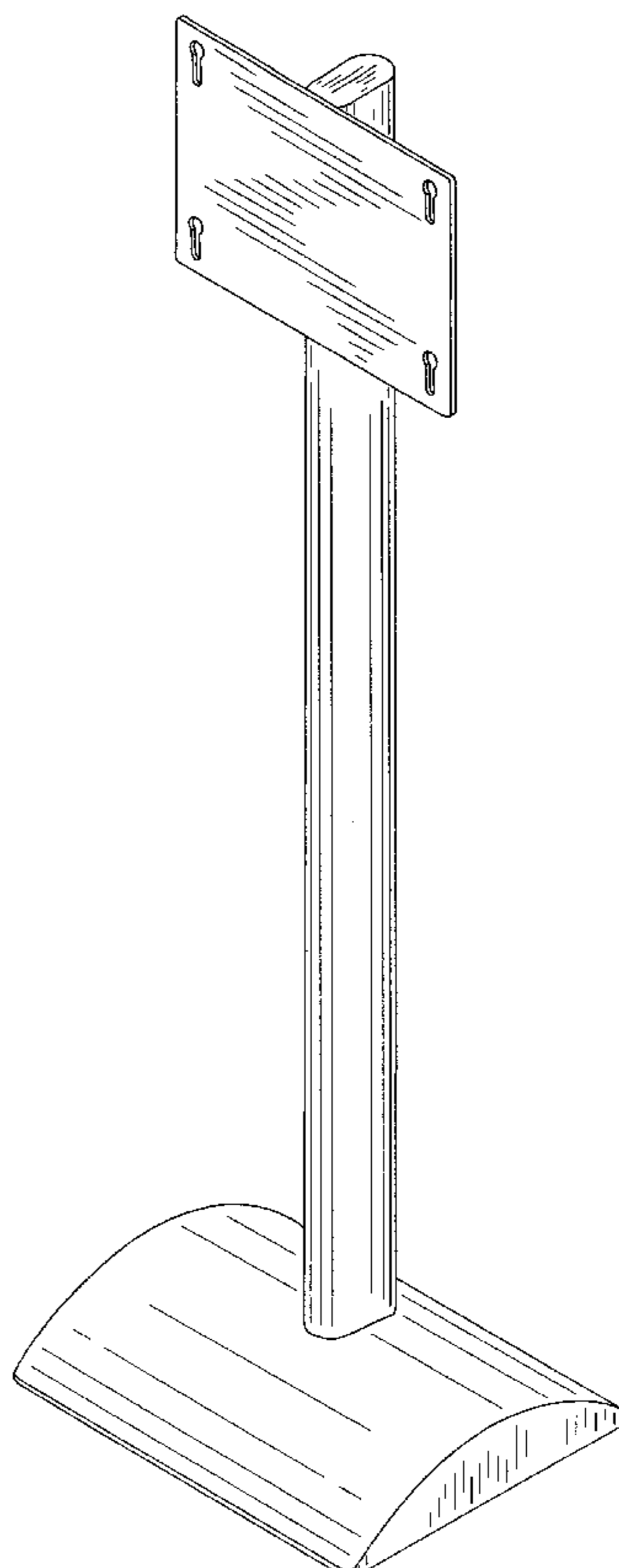
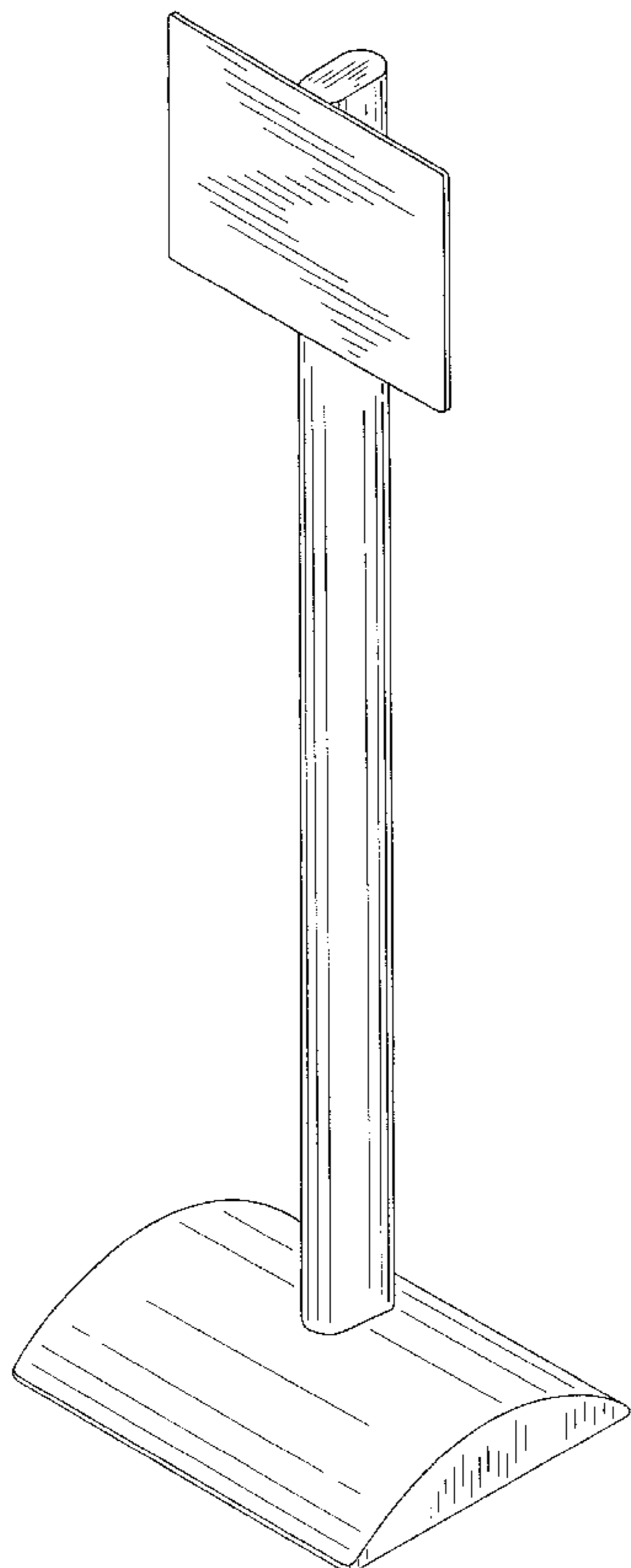
FIG. 11 is a front elevational view thereof;

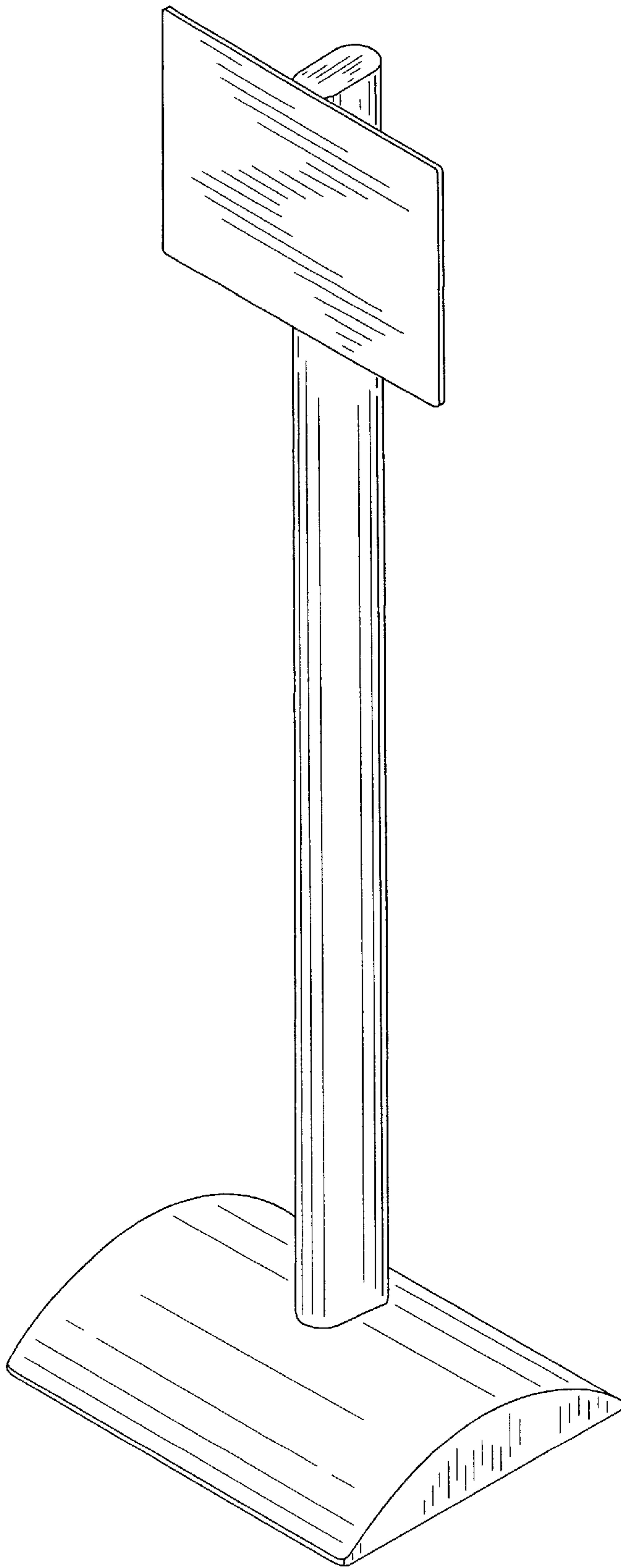
FIG. 12 is a bottom plan view thereof;

FIG. 13 is a right side elevational view thereof; and,

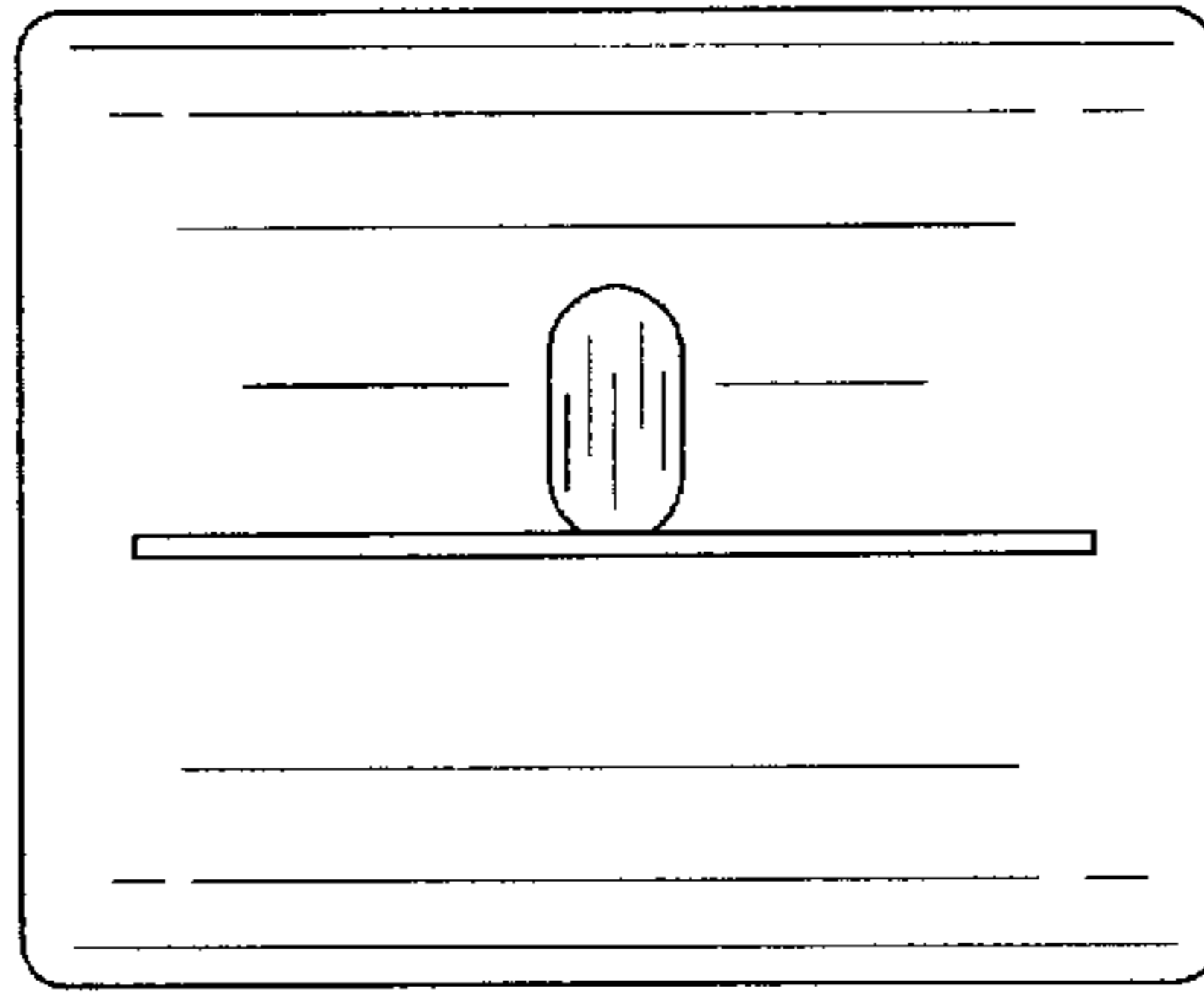
FIG. 14 is a rear elevational view thereof.

**1 Claim, 8 Drawing Sheets**

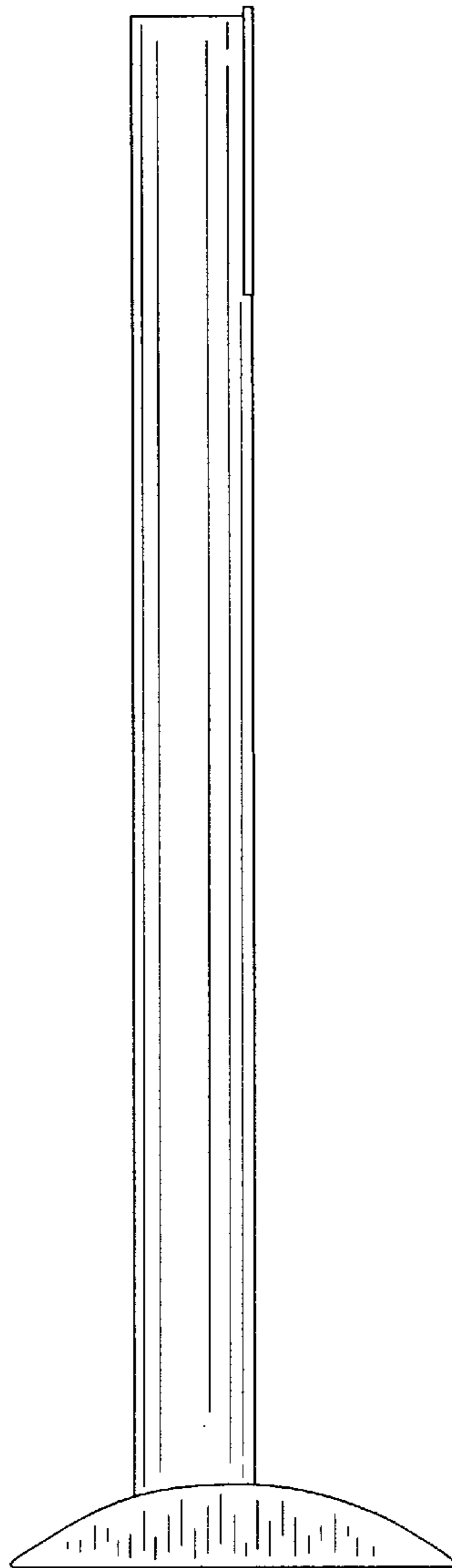




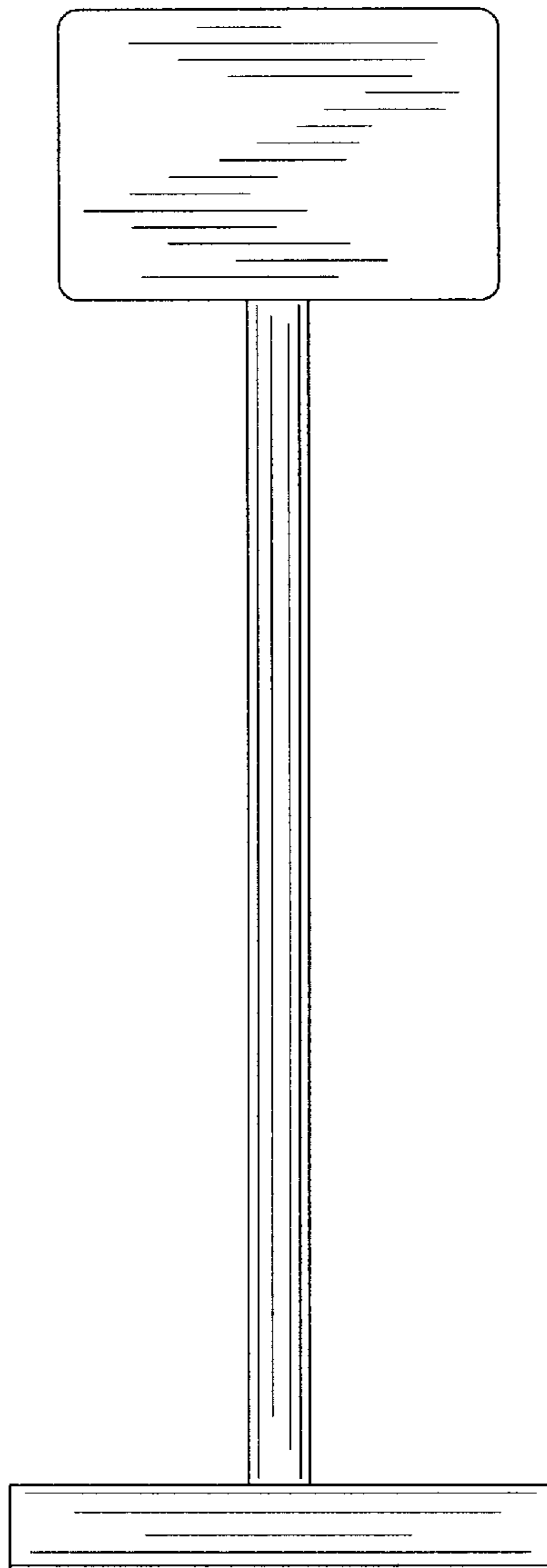
**FIG. 1**



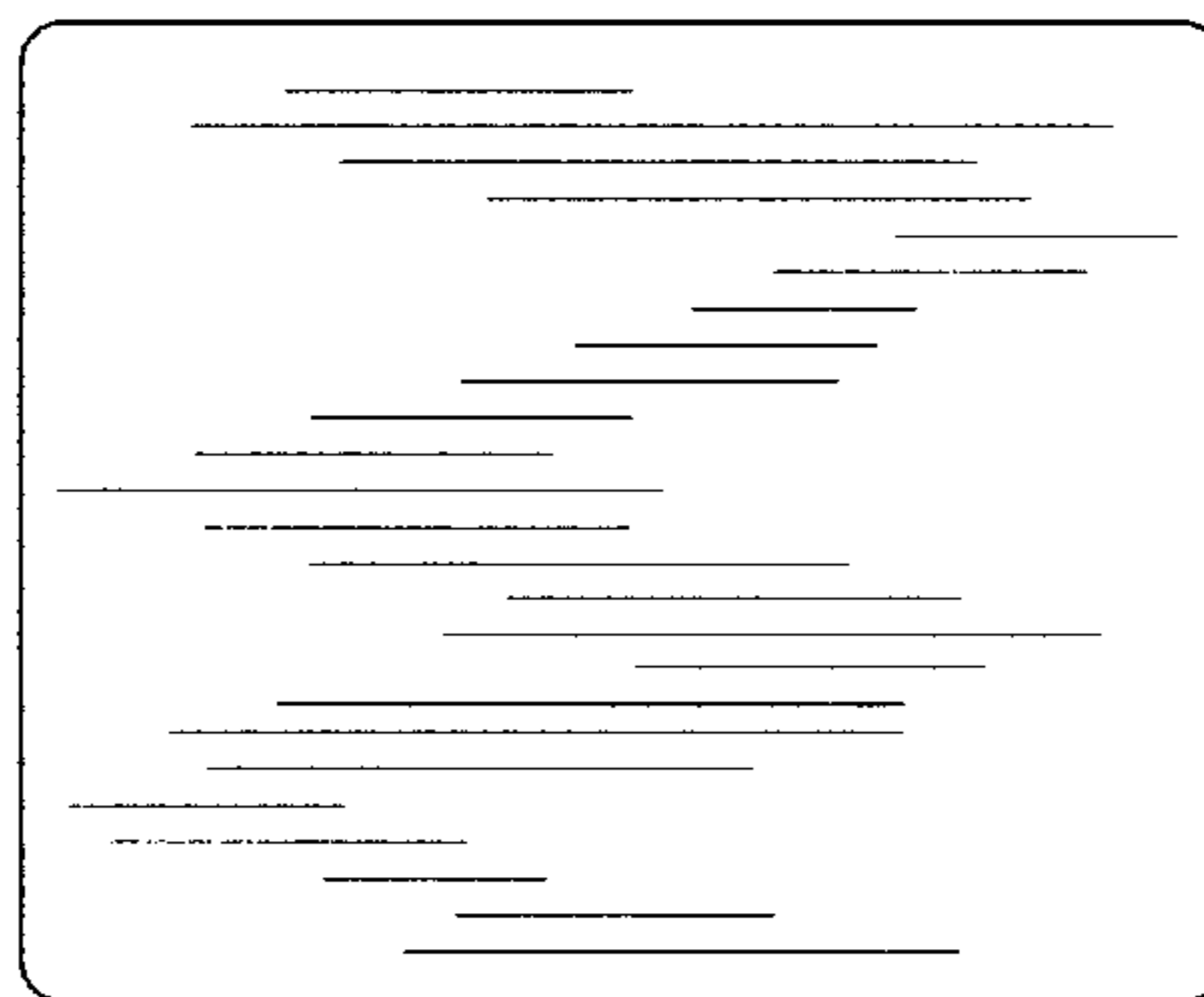
**FIG. 2**



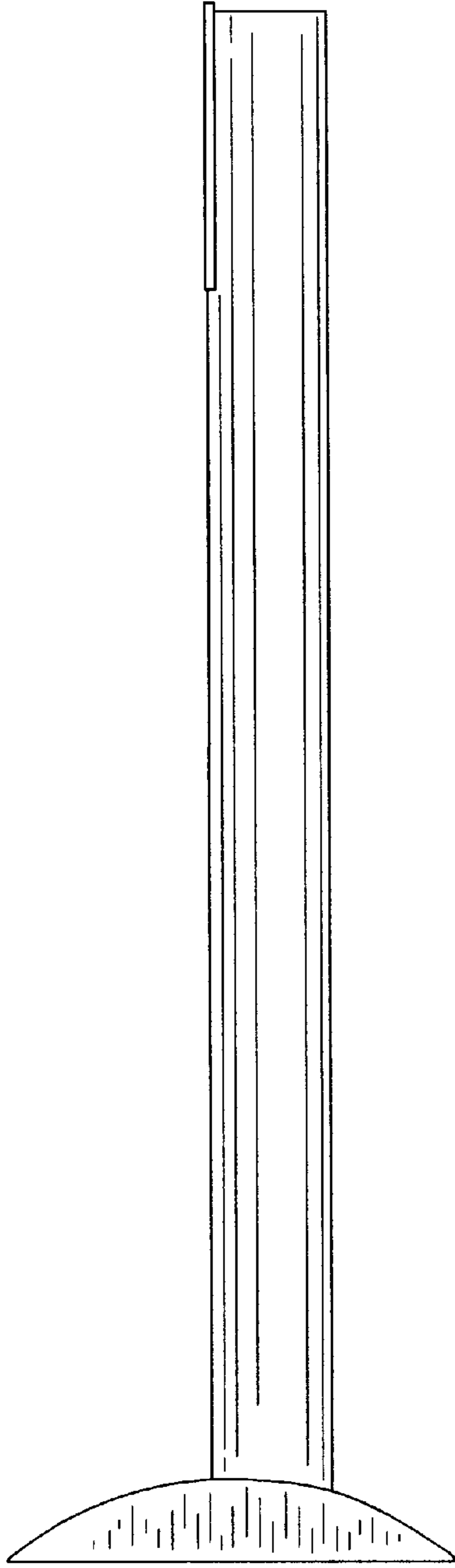
**FIG. 3**



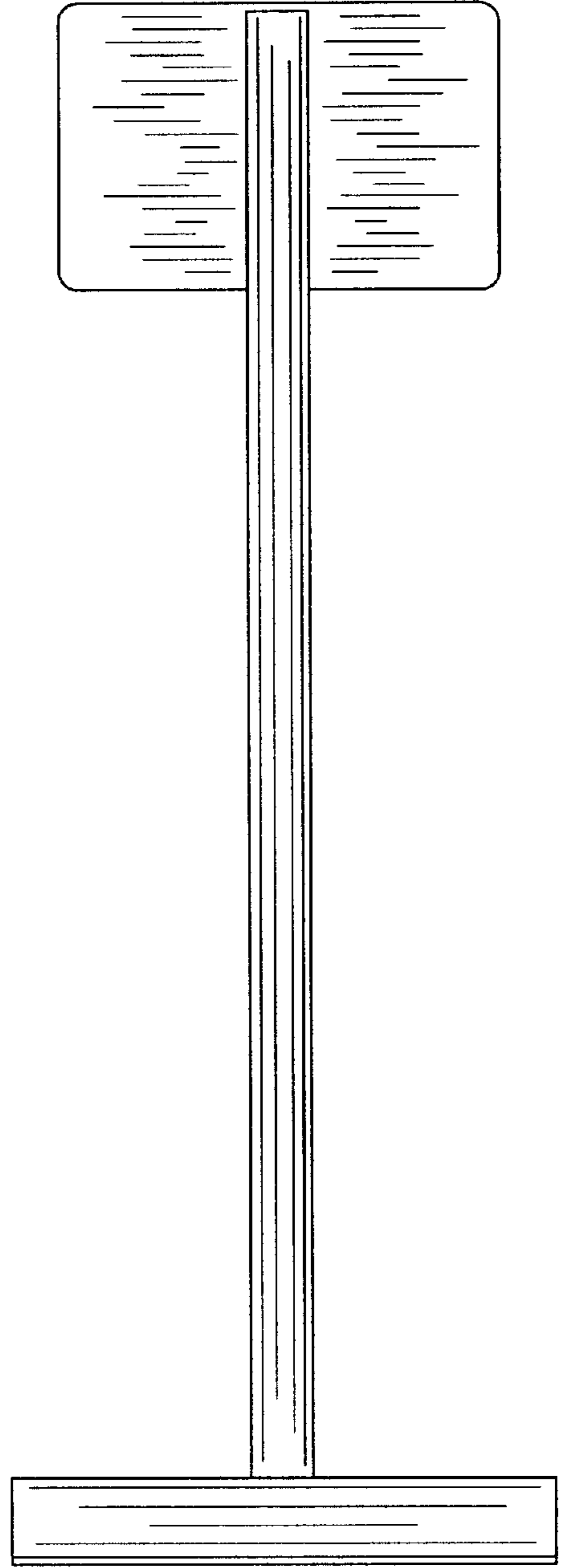
**FIG. 4**



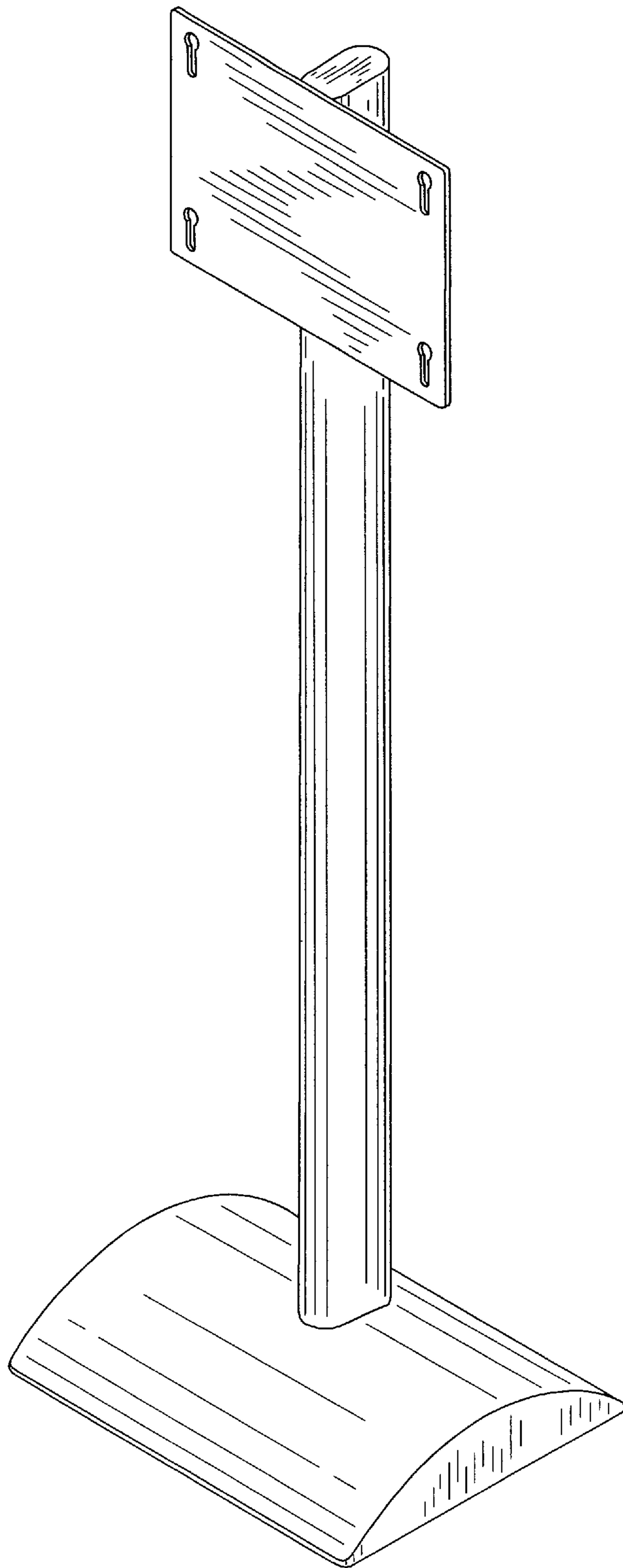
**FIG. 5**



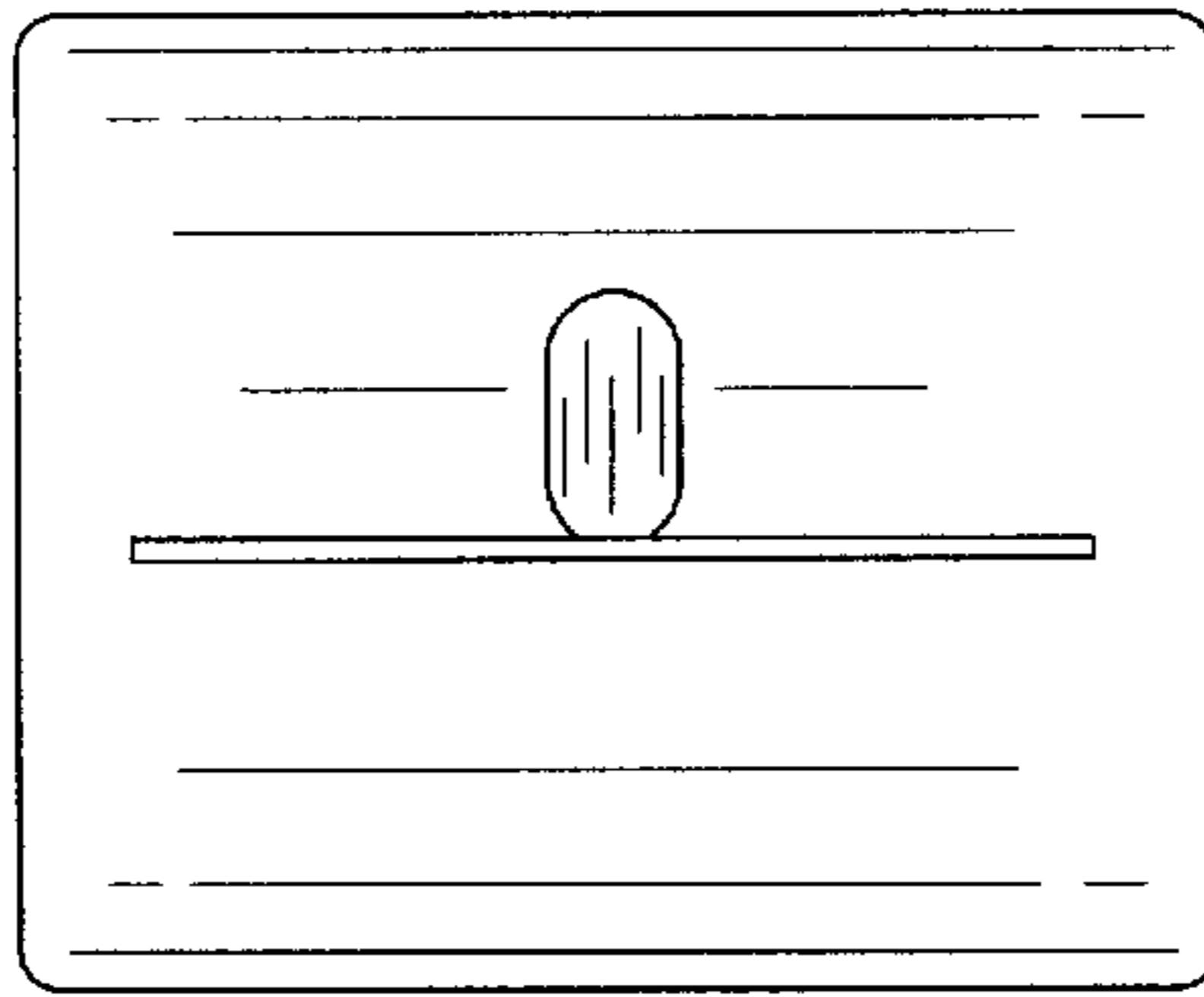
**FIG. 6**



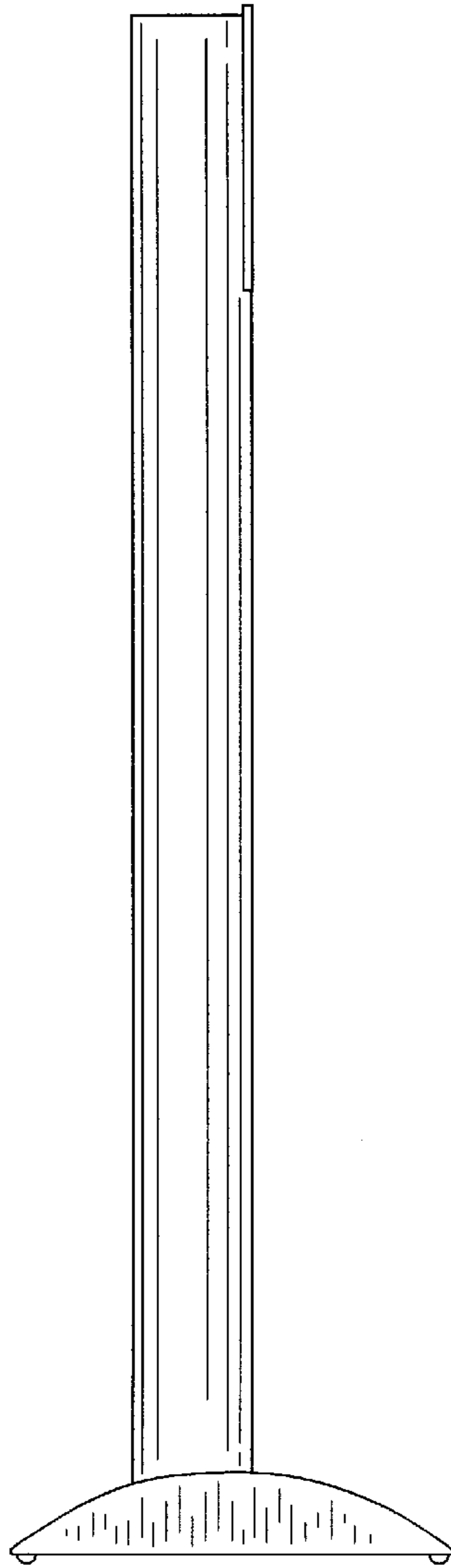
**FIG. 7**



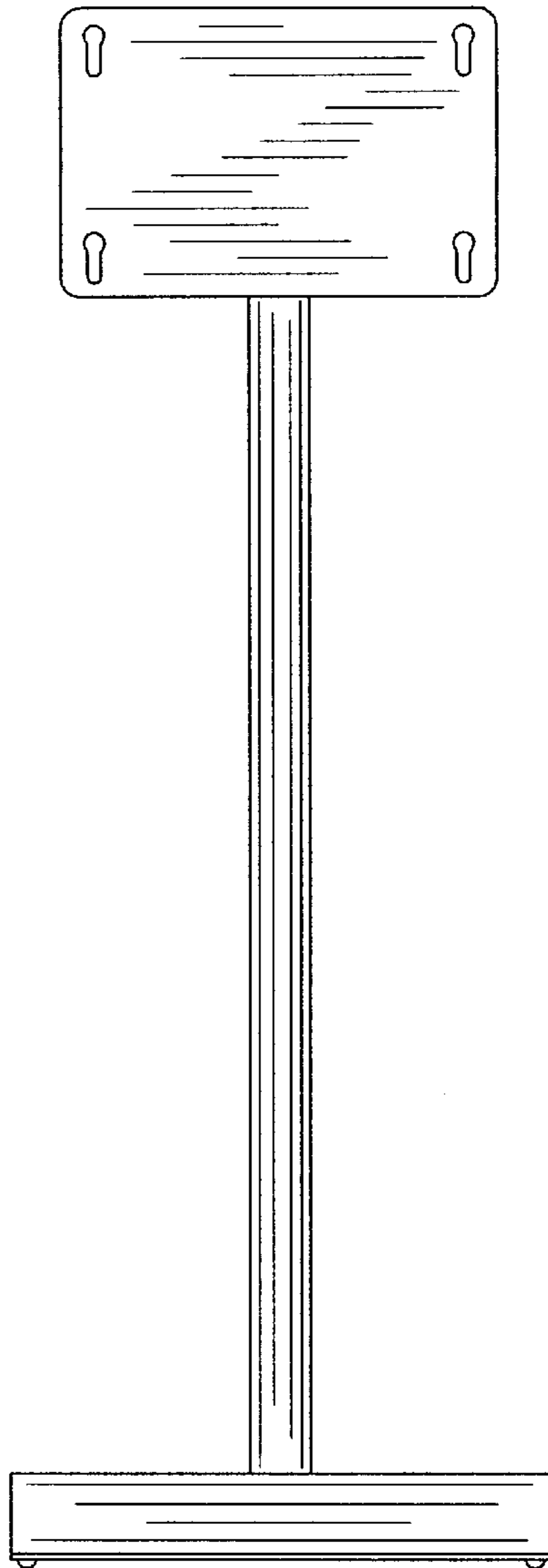
**FIG. 8**



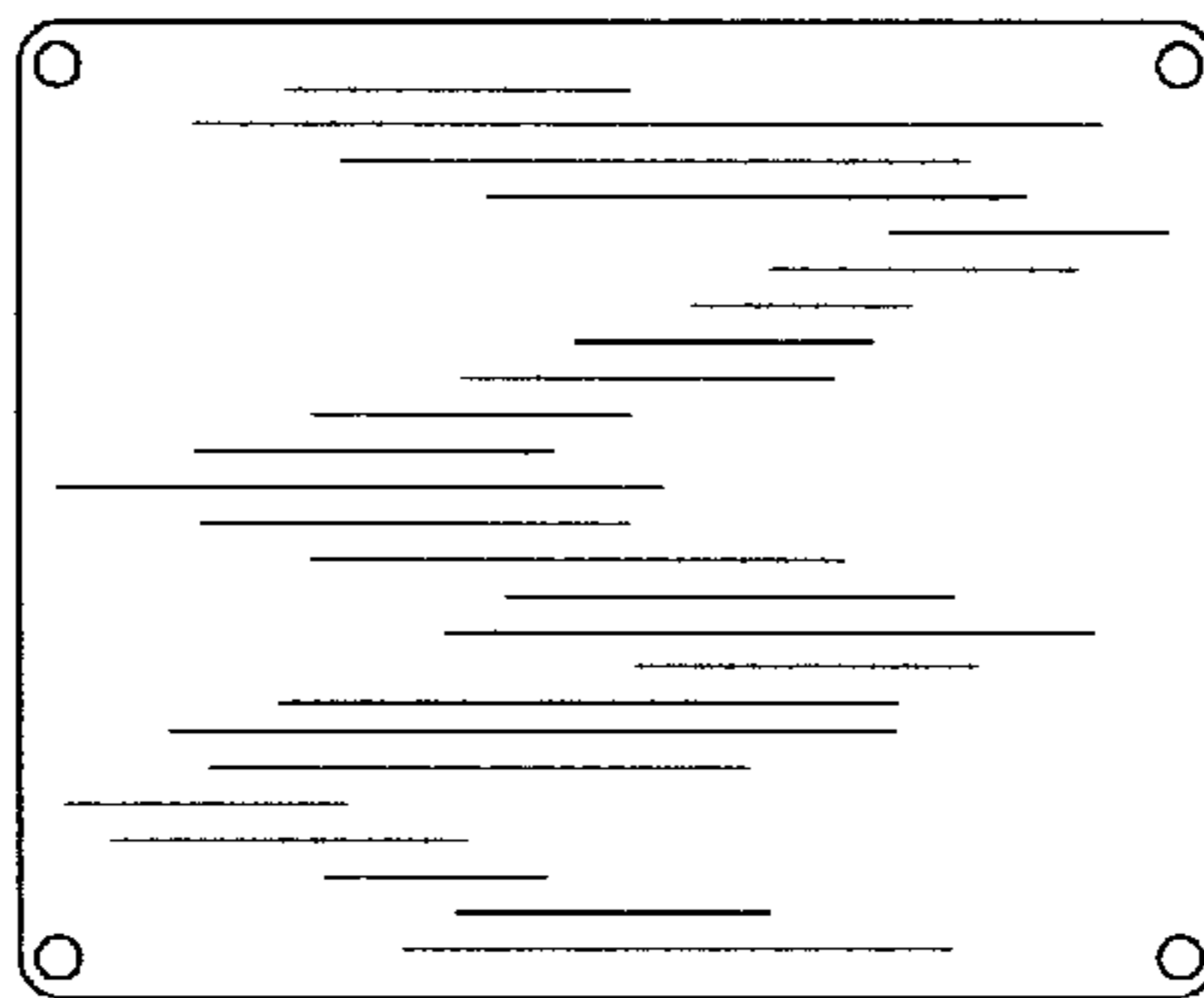
**FIG. 9**



**FIG. 10**

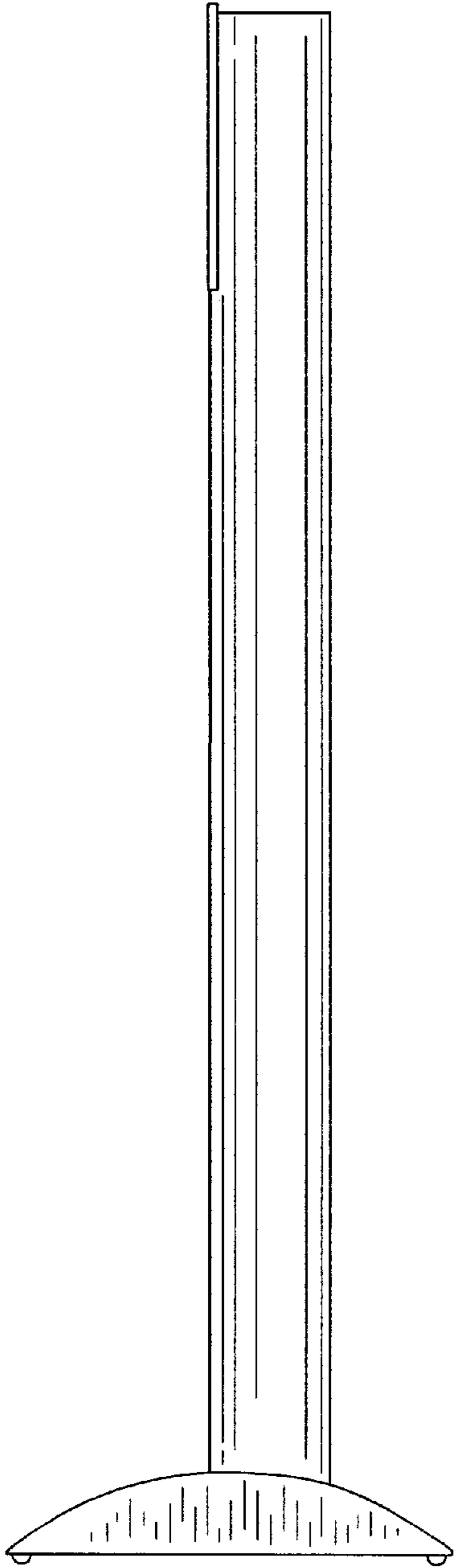


**FIG. 11**

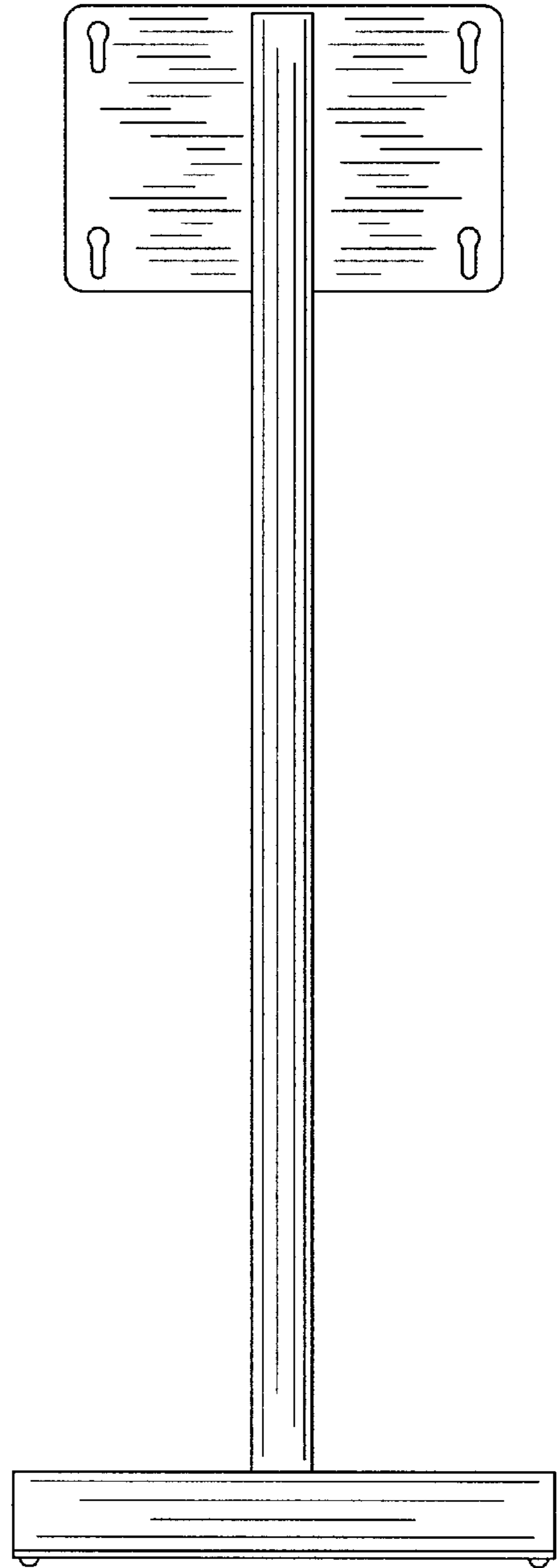


**FIG. 12**





**FIG. 13**



**FIG. 14**