



US00D426536S

United States Patent [19] Shindo

[11] **Patent Number: Des. 426,536**

[45] **Date of Patent: ** Jun. 13, 2000**

[54] **TELEPHONE**

[75] Inventor: **Koji Shindo**, Tokyo, Japan

[73] Assignee: **Sony Corporation**, Japan

[**] Term: **14 Years**

[21] Appl. No.: **29/111,434**

[22] Filed: **Sep. 28, 1999**

Related U.S. Application Data

[62] Division of application No. 29/090,084, Jun. 30, 1998.

[51] **LOC (7) Cl.** **14-03**

[52] **U.S. Cl.** **D14/151**

[58] **Field of Search** D14/137, 138,
D14/144, 240, 147-151, 243, 140-142,
251, 253; 379/419, 420, 428, 440, 433-436,
67.1, 70; D13/107, 108

[56] References Cited

U.S. PATENT DOCUMENTS

D. 309,303	7/1990	Appleby	D14/144
D. 335,669	5/1993	Yu	D14/144
D. 352,497	11/1994	Scianna, Sr. et al.	D13/108
D. 354,955	1/1995	Wicks	D14/141
D. 359,284	6/1995	Hung	D14/151
D. 369,600	5/1996	Zeitman	D14/144
D. 369,798	5/1996	Kong et al.	D14/149
D. 372,027	7/1996	Tomoike	D14/151
D. 395,304	6/1998	Mori et al.	D14/144
D. 401,235	11/1998	Fuke et al.	D14/149
D. 408,817	4/1999	Ishibashi	D14/149

D. 410,922 6/1999 Komiyama D14/149

OTHER PUBLICATIONS

“Sony Style” p. 269, SPP-A900, Apr. 1998.
Sony Catalog, Sony Digital Satellite Systems, Fall/Winter
1996, pp. 173-175.

Primary Examiner—Jeffrey Asch
Attorney, Agent, or Firm—Rader, Fishman & Grauer

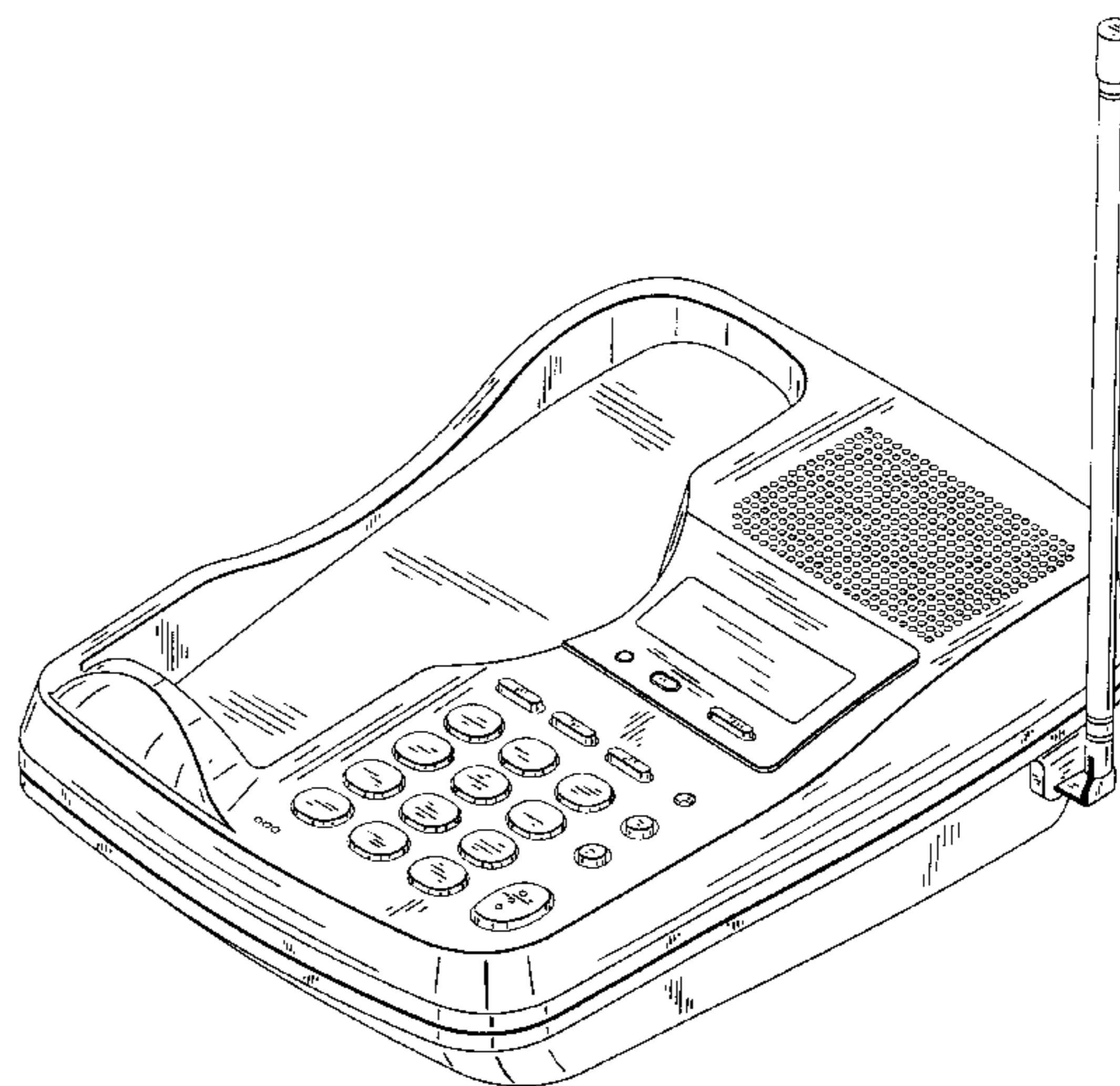
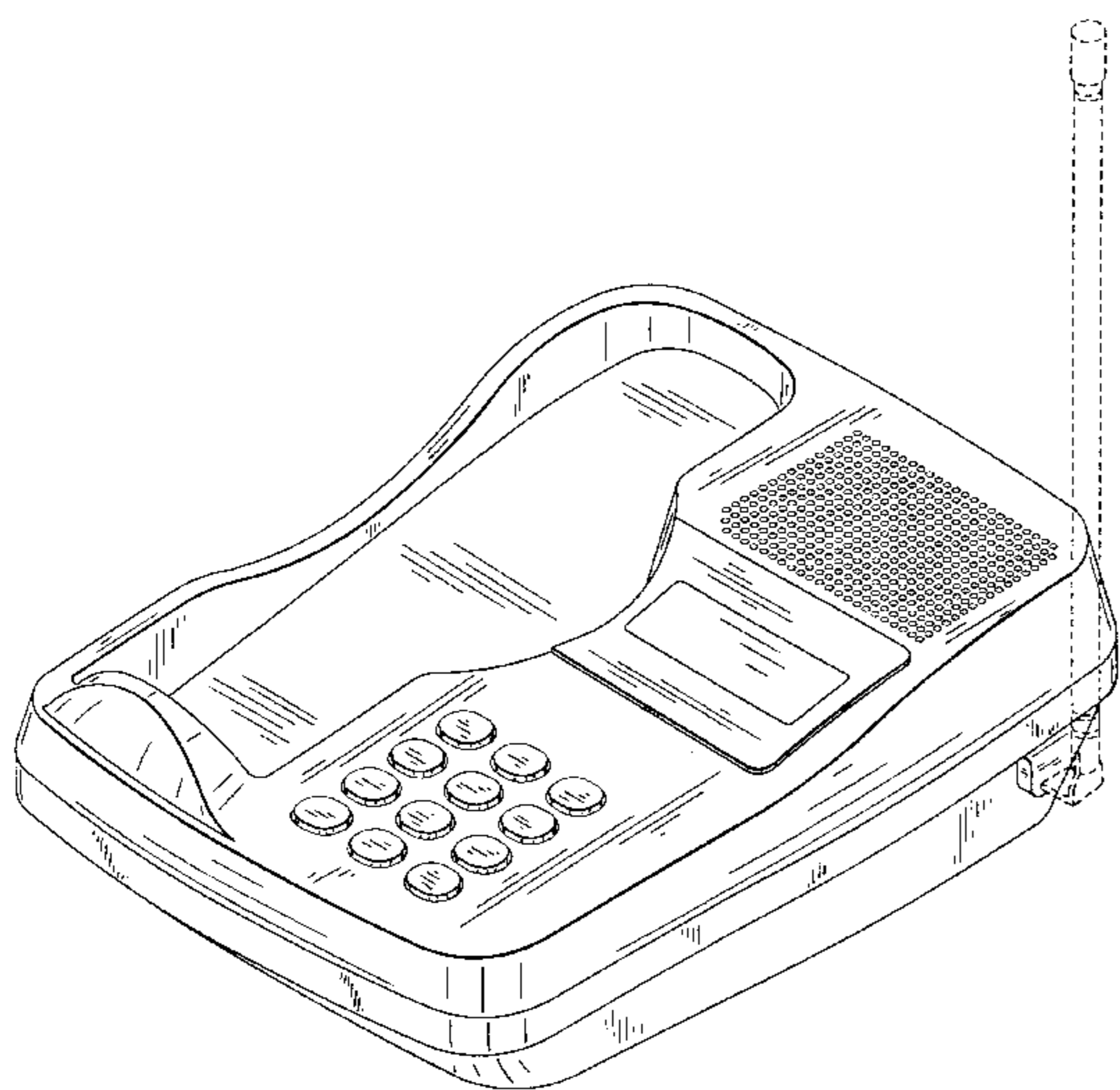
[57] CLAIM

The ornamental design for a telephone, as shown and described.

DESCRIPTION

FIG. 1 is a perspective view of a first embodiment of a telephone showing my new design;
FIG. 2 is a top plan view thereof;
FIG. 3 is a bottom plan view thereof;
FIG. 4 is a left side elevational view thereof;
FIG. 5 is a right side elevational view thereof;
FIG. 6 is a front elevational view thereof; and
FIG. 7 is a rear elevational view thereof.
FIG. 8 is a perspective view of a second embodiment of a telephone showing my new design;
FIG. 9 is a top plan view thereof;
FIG. 10 is a bottom plan view thereof;
FIG. 11 is a left side elevational view thereof;
FIG. 12 is a right side elevational view thereof;
FIG. 13 is a front elevational view thereof; and,
FIG. 14 is a rear elevational view thereof.
Antenna portions in broken lines are for illustrative purposes only and form no part of the claimed design.

1 Claim, 8 Drawing Sheets



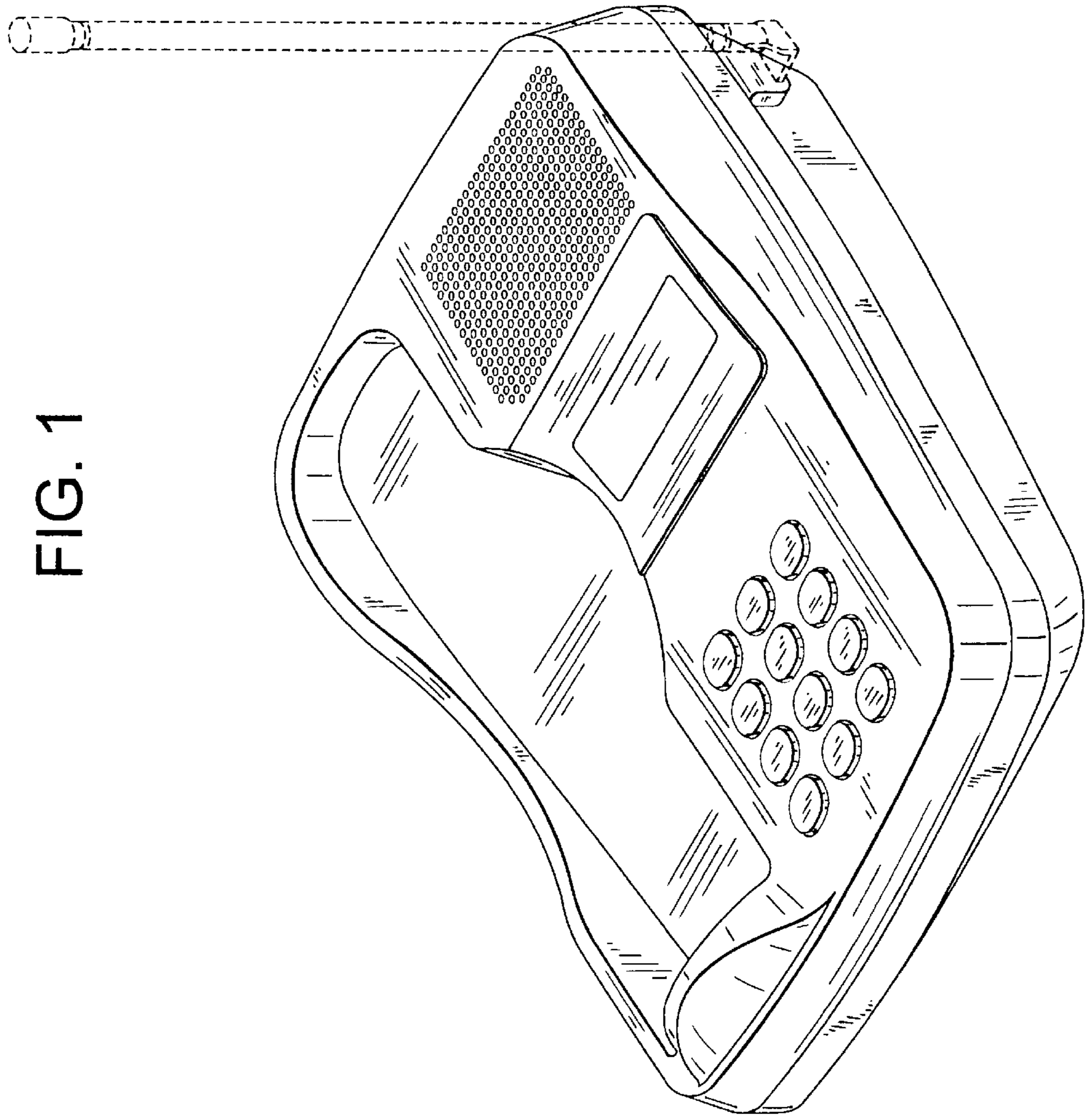


FIG. 1

FIG. 2

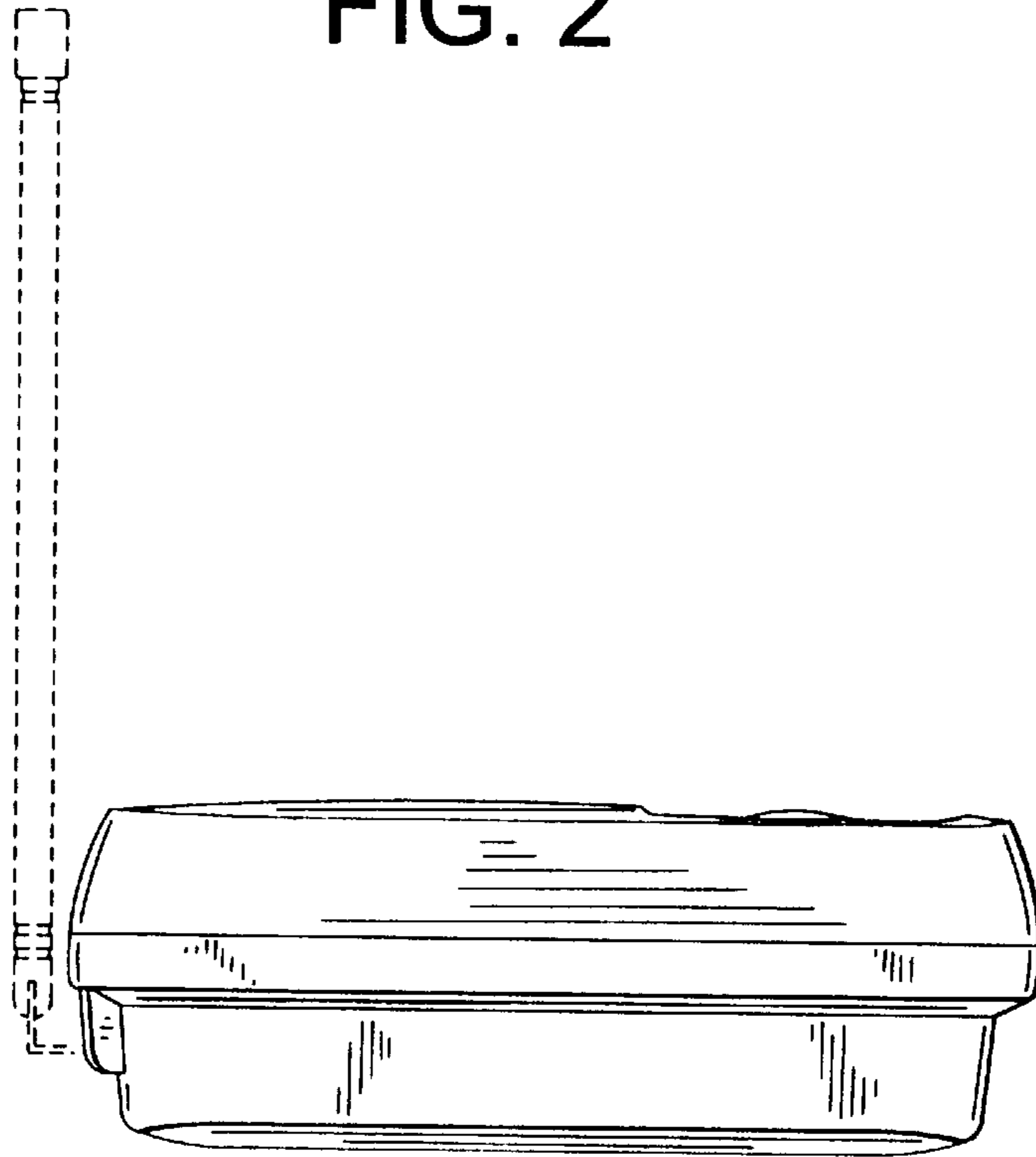


FIG. 3

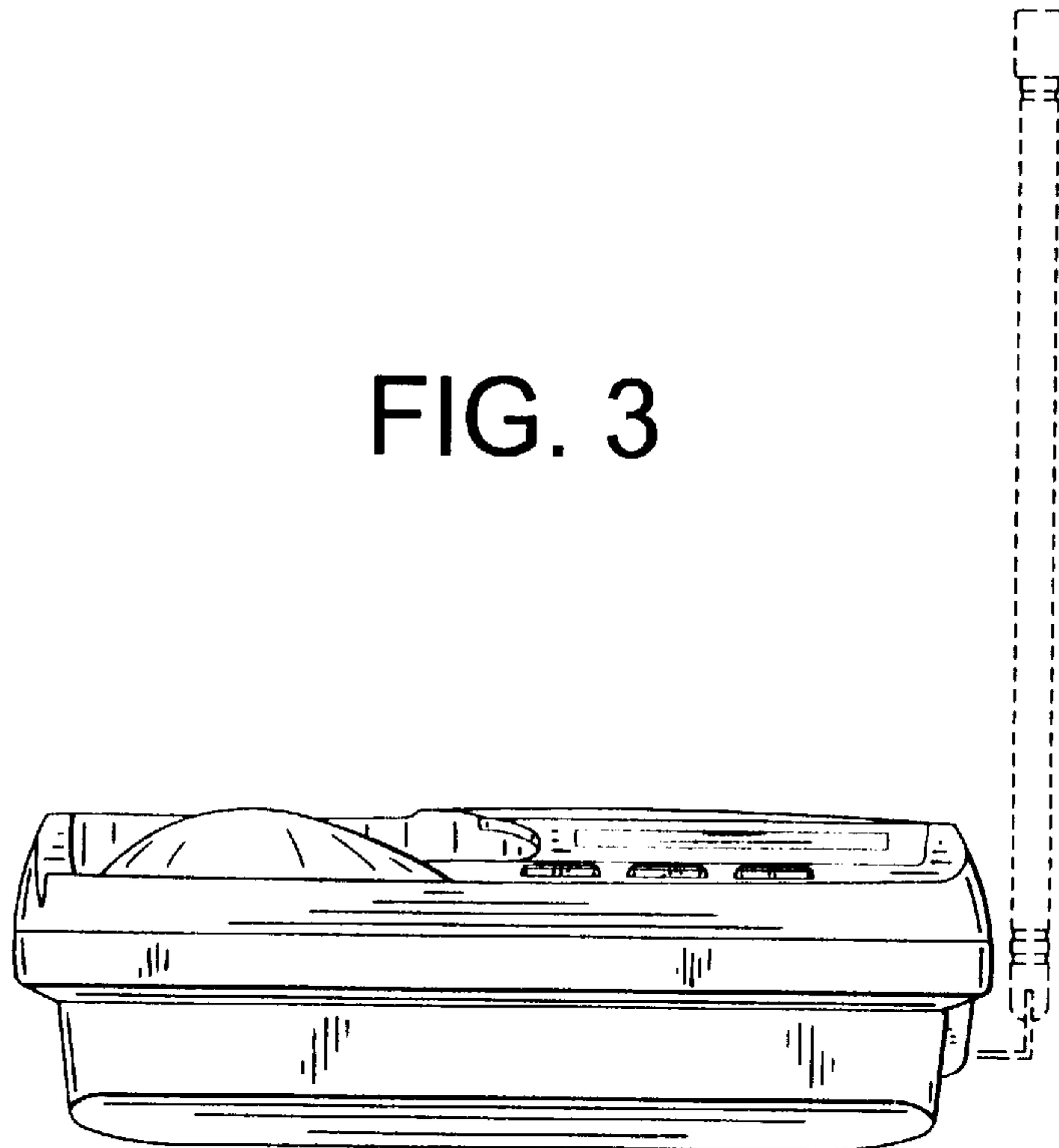


FIG. 5

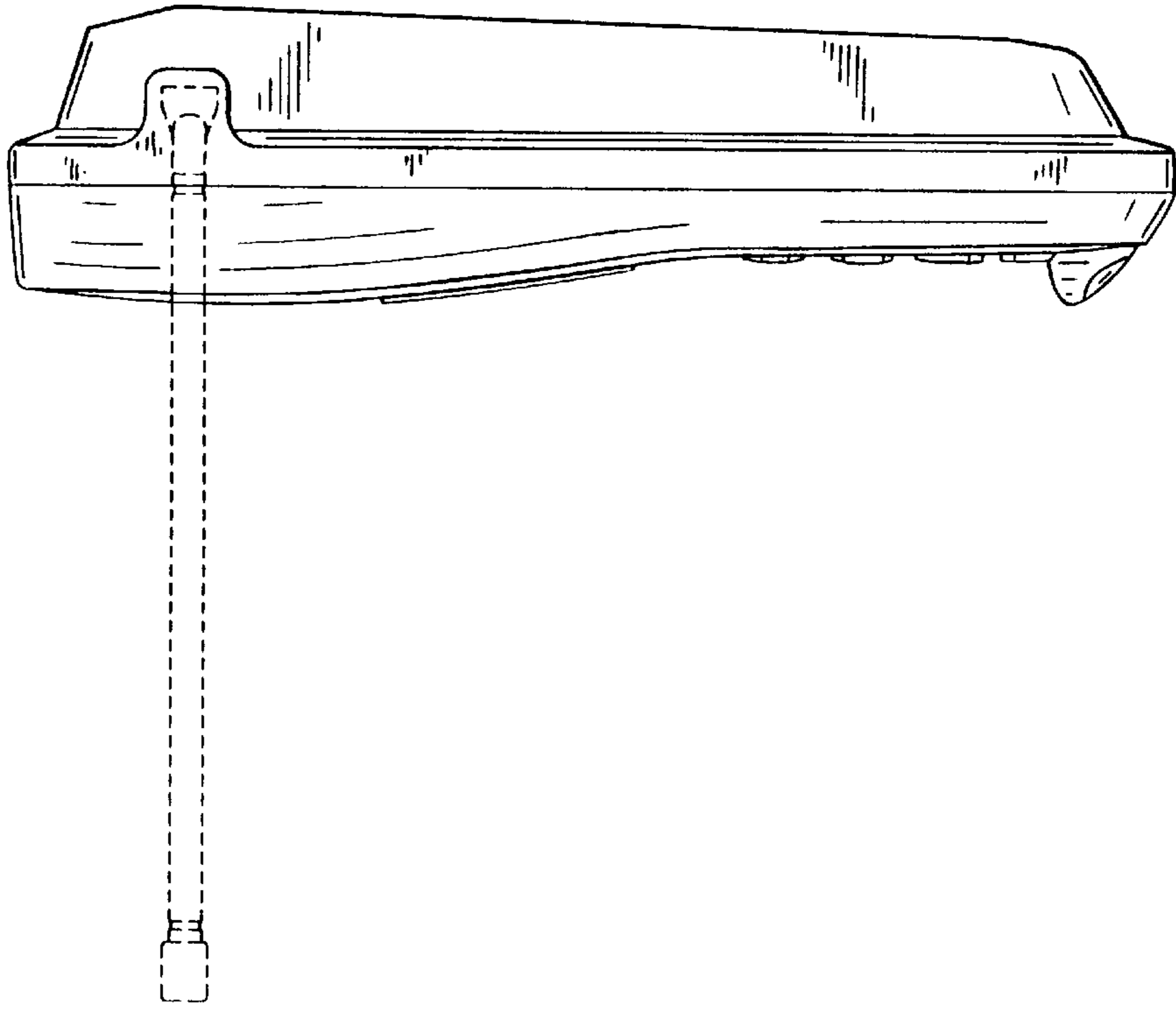


FIG. 4

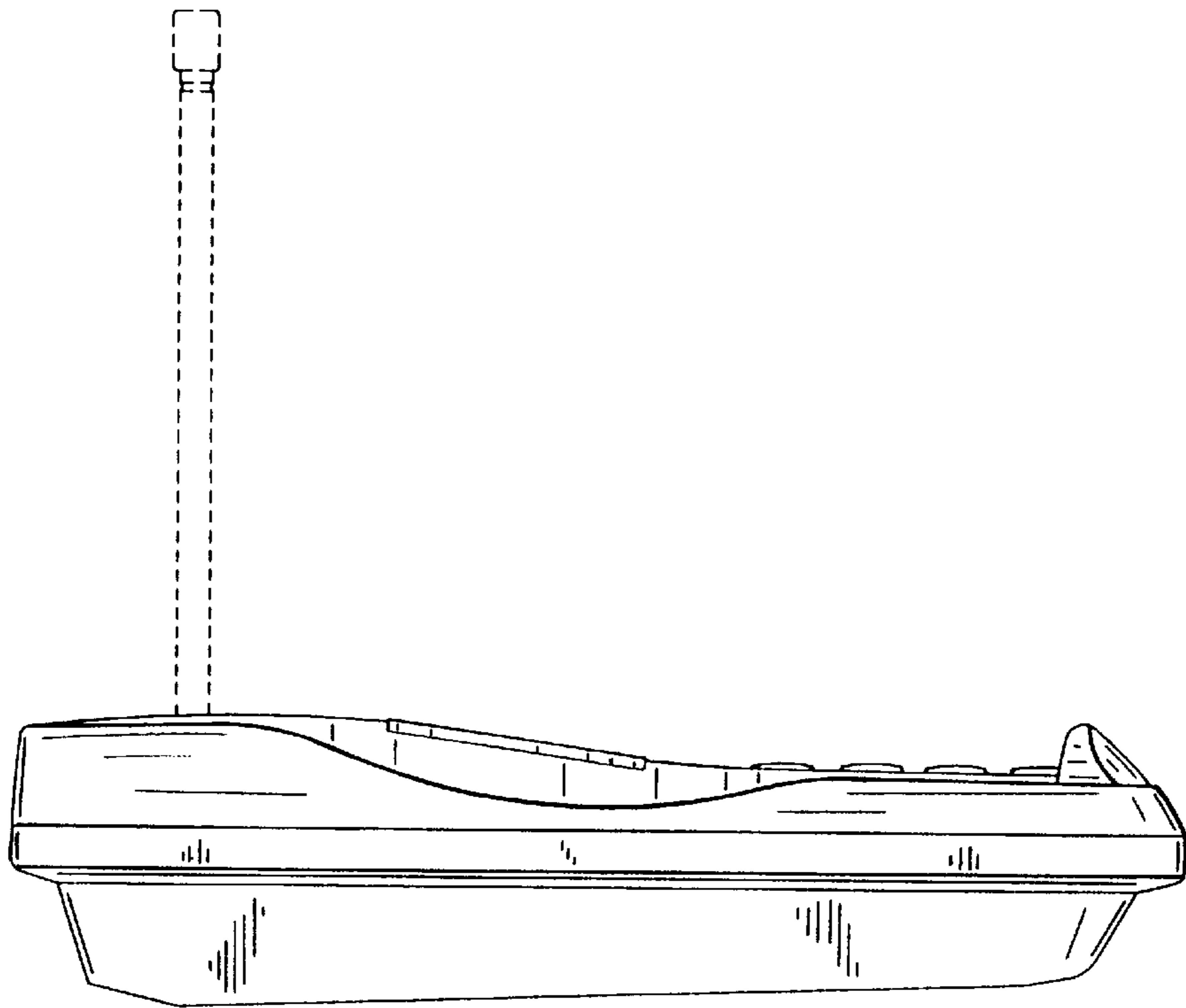


FIG. 7

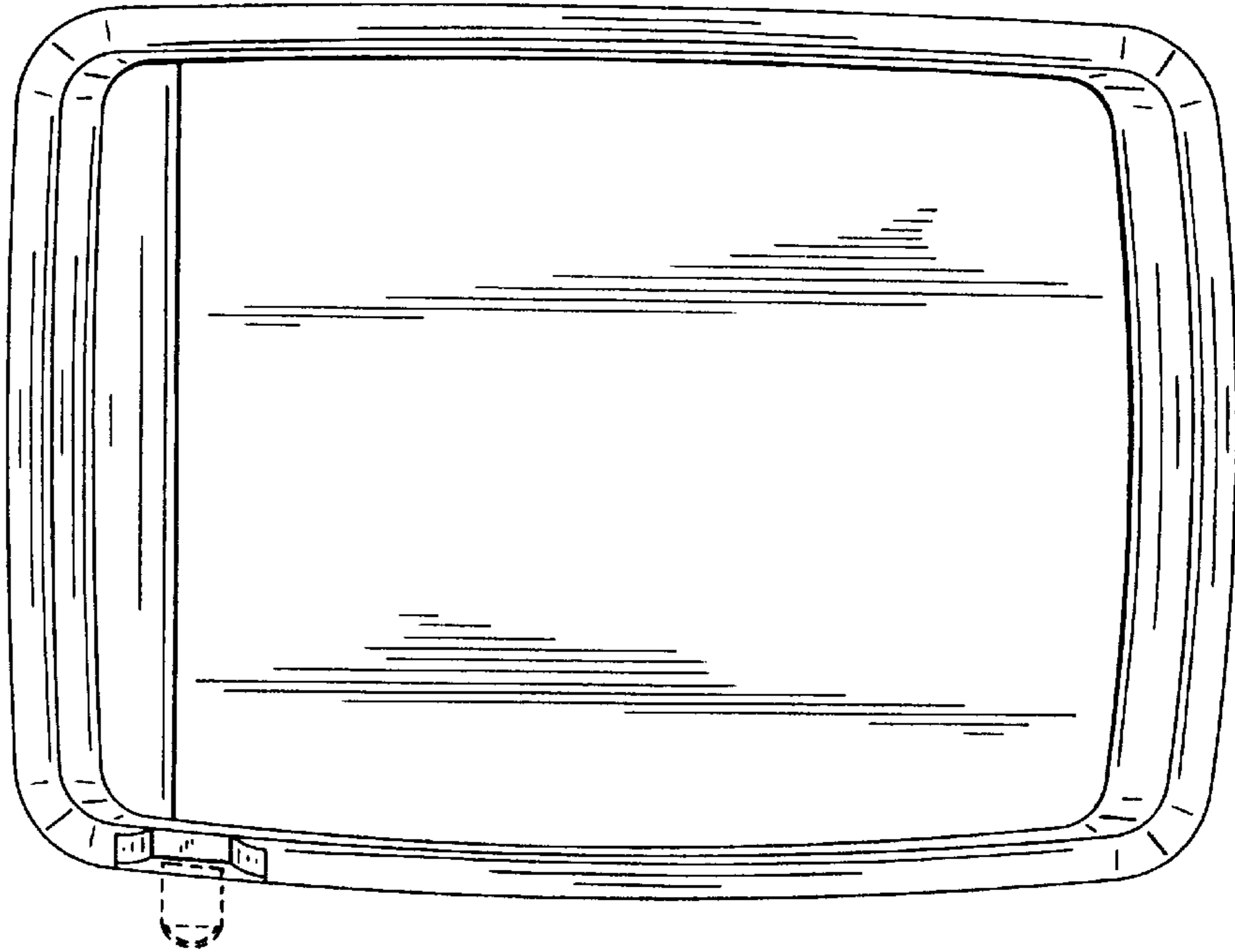
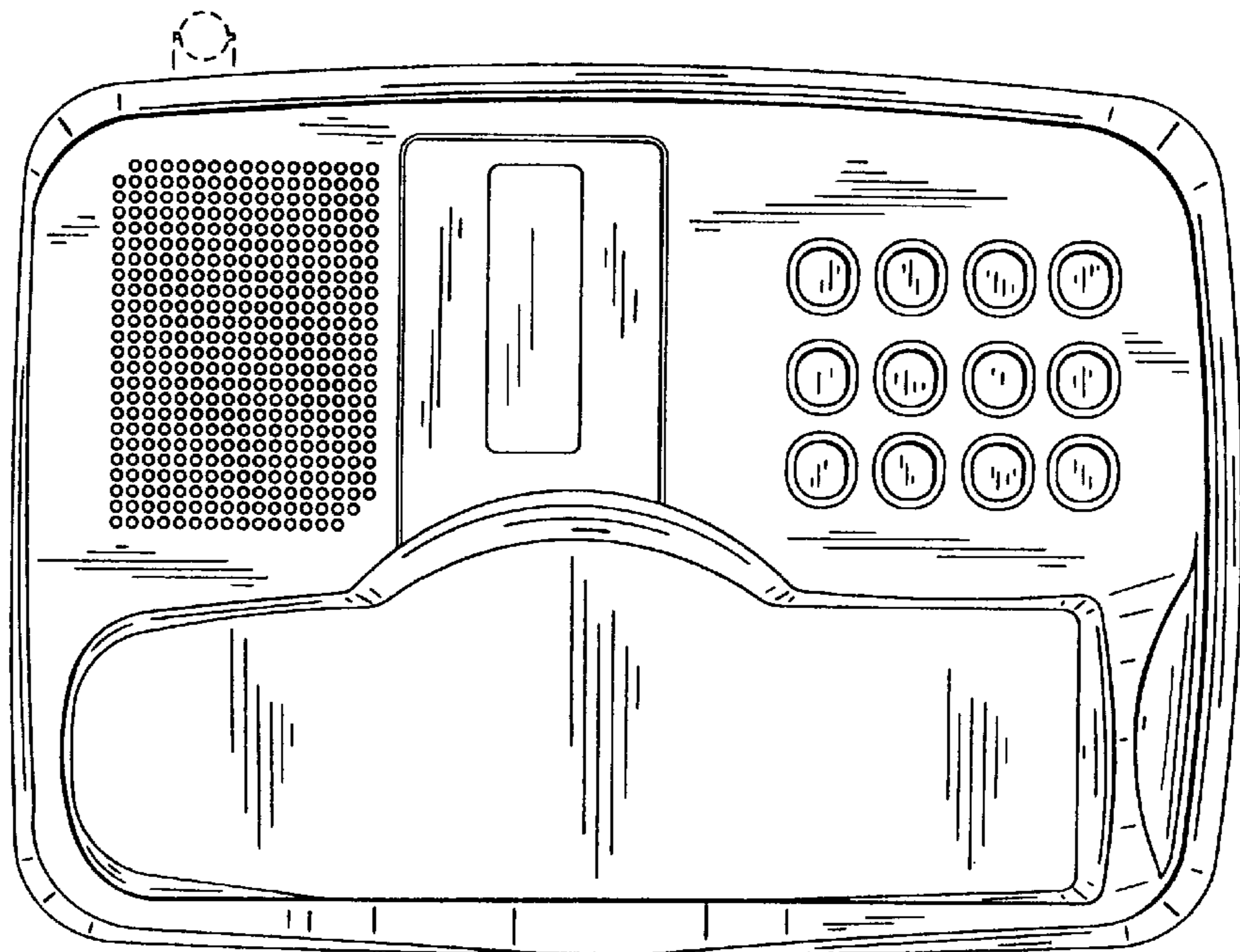


FIG. 6



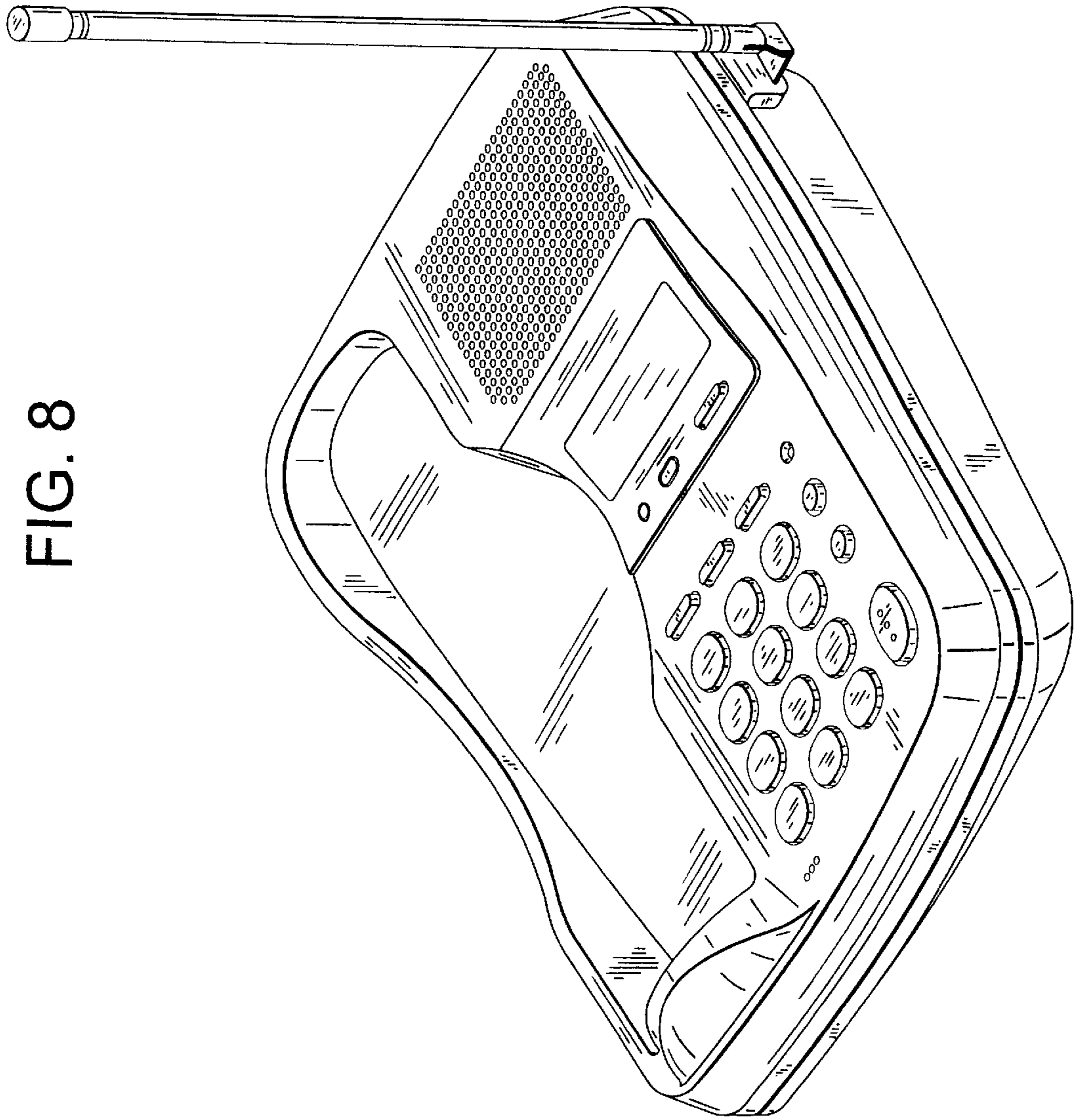


FIG. 8

FIG. 9

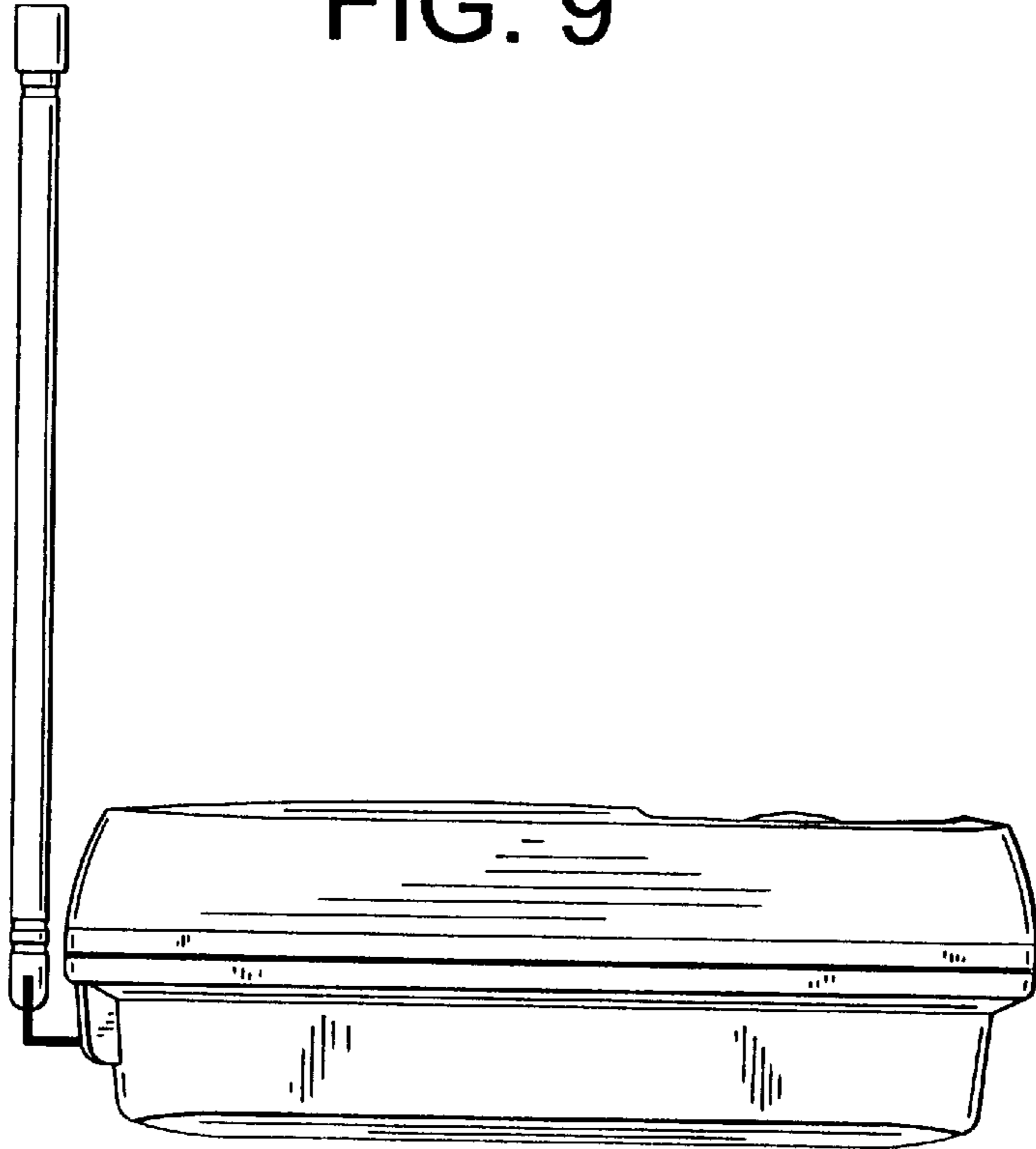


FIG. 10

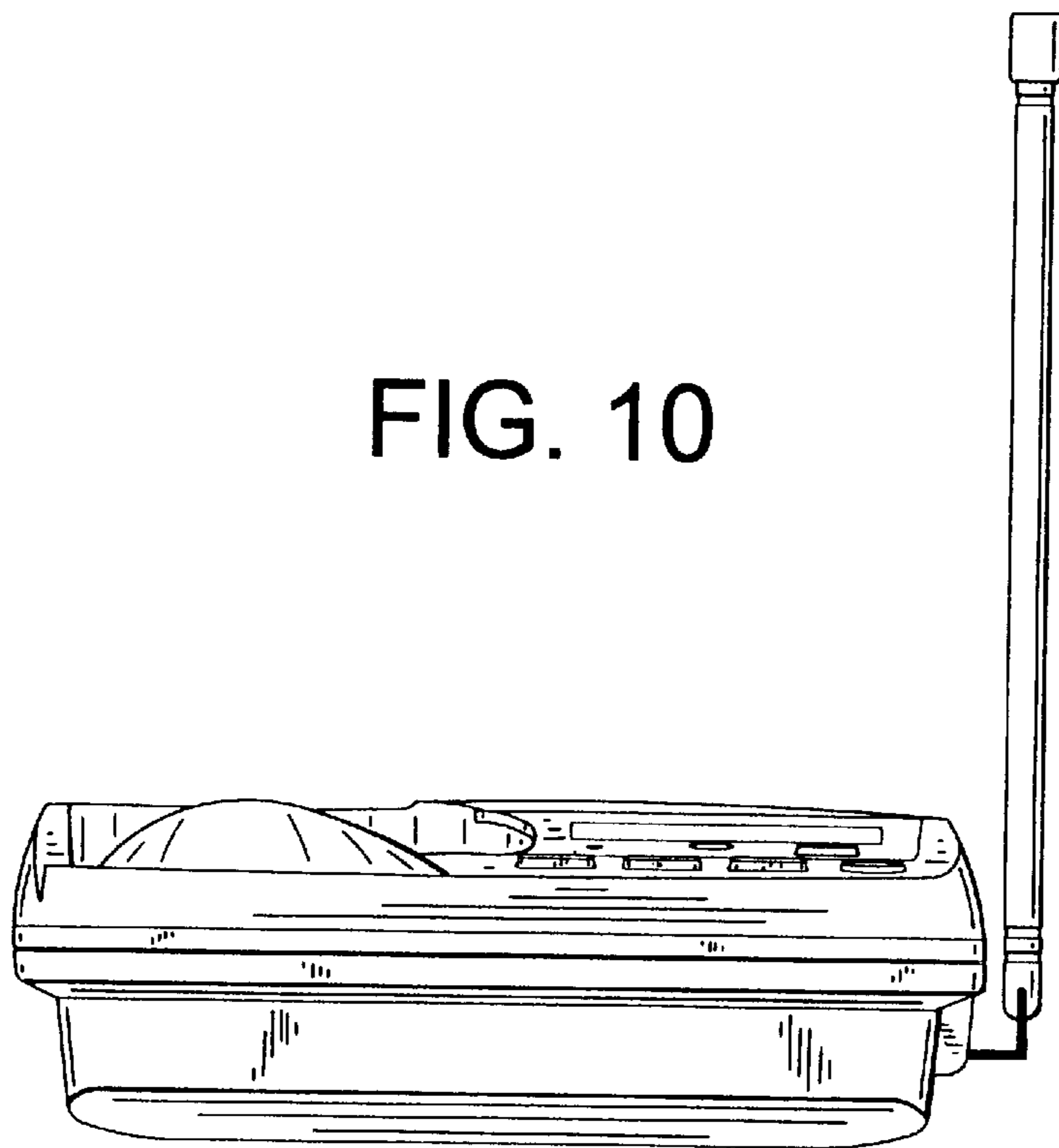


FIG. 12

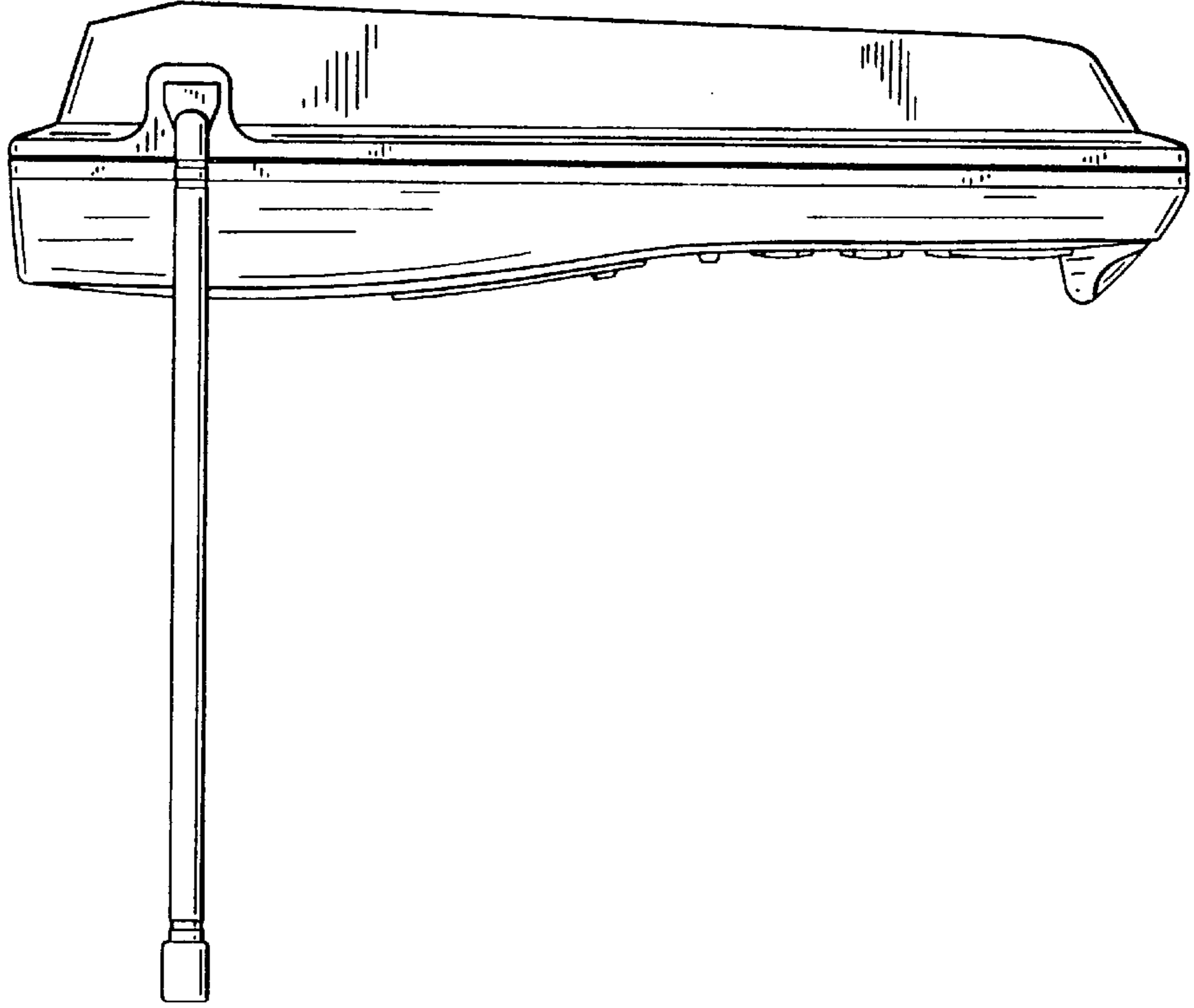


FIG. 11

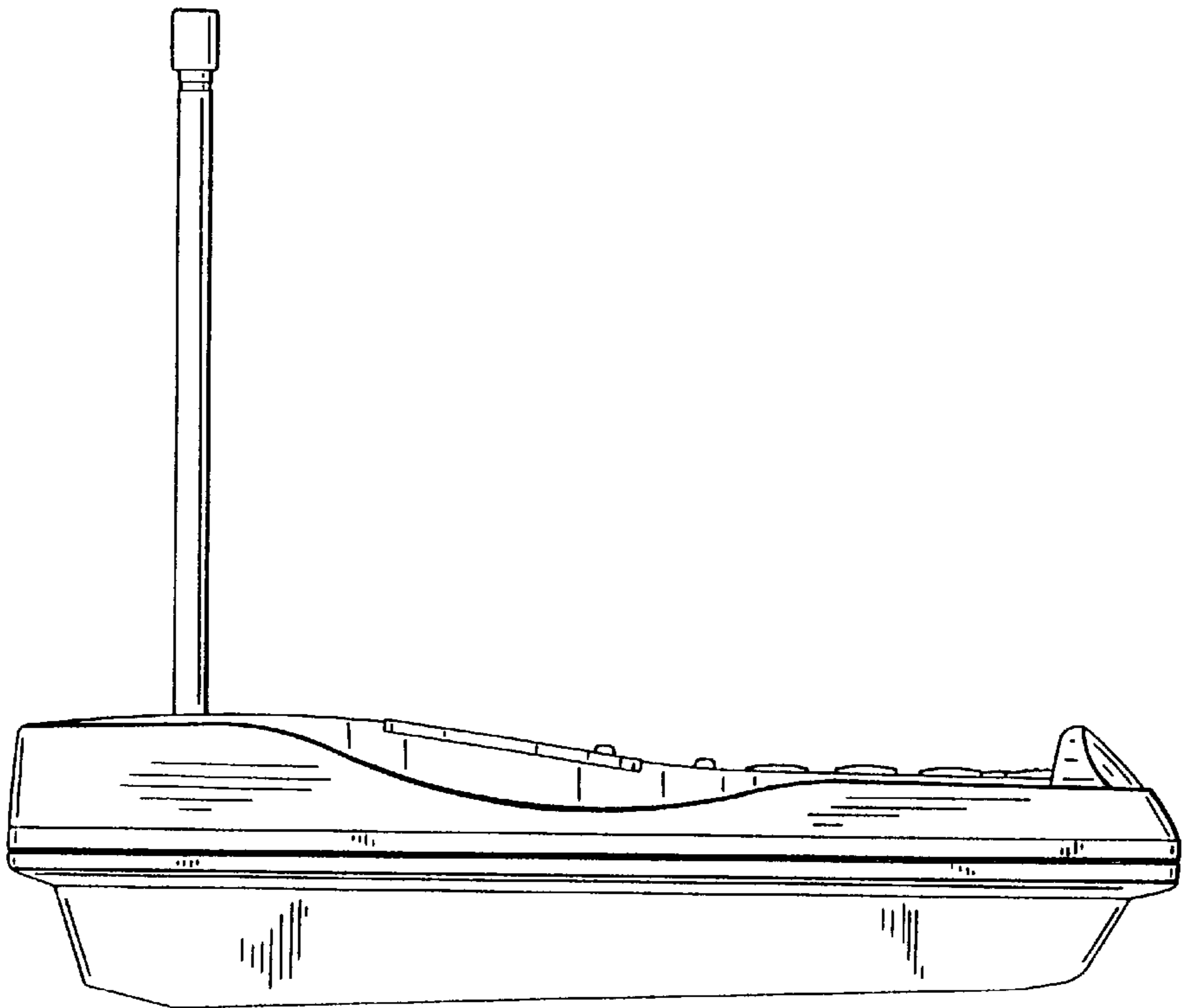


FIG. 14

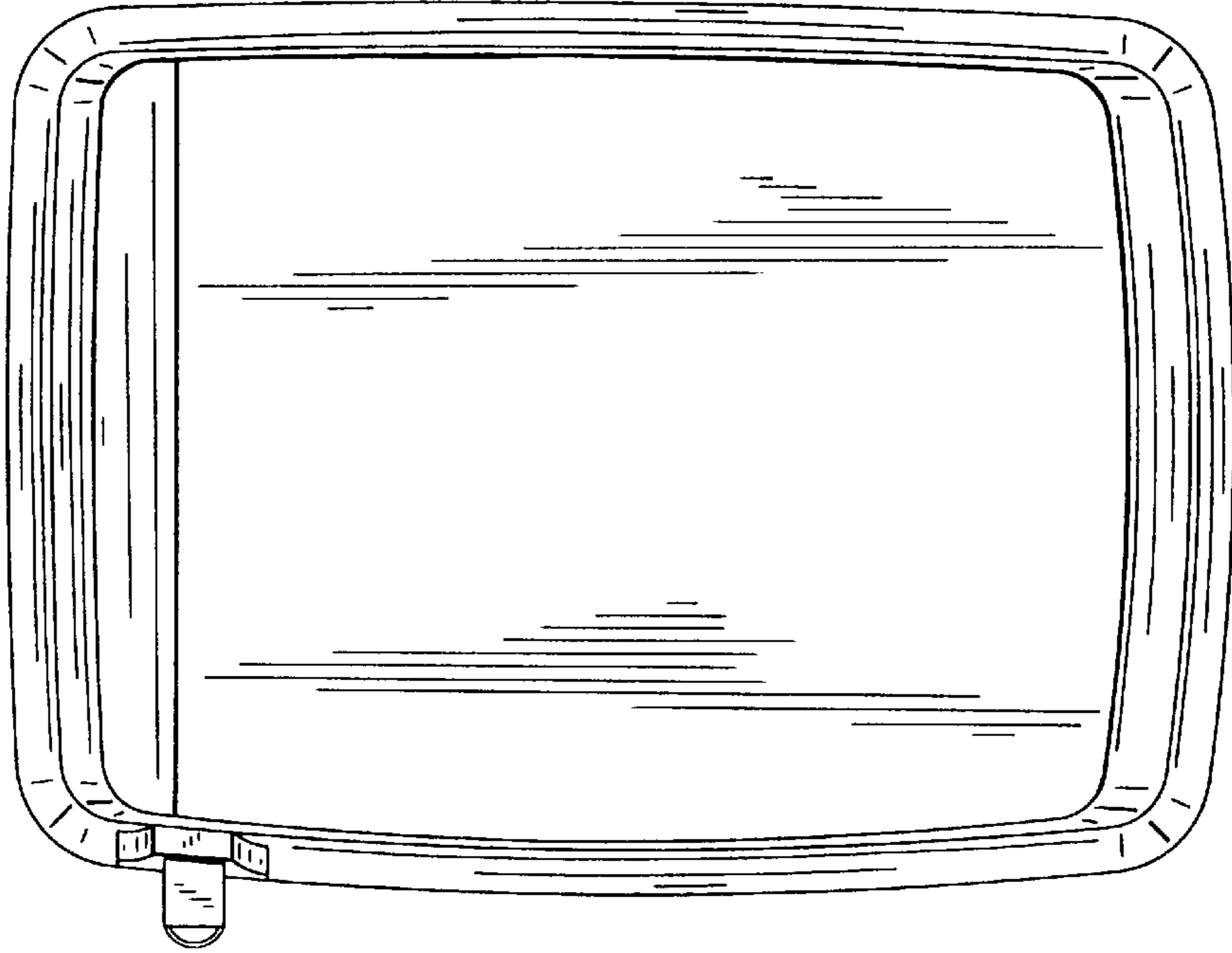


FIG. 13

