



US00D426535S

United States Patent [19] Zeitman

[11] Patent Number: Des. 426,535

[45] Date of Patent: ** Jun. 13, 2000

[54] TELEPHONE

[75] Inventor: Josh Zeitman, Brooklyn, N.Y.

[73] Assignee: Lenox Electronics Corp., Brooklyn, N.Y.

[**] Term: 14 Years

[21] Appl. No.: 29/106,408

[22] Filed: Jun. 15, 1999

[51] LOC (7) Cl. 14-03

[52] U.S. Cl. D14/151

[58] Field of Search D14/137, 138,
D14/148, 147, 149-151, 140-142, 240,
241; 379/433-436, 419, 420, 428, 440

[56] **References Cited**

U.S. PATENT DOCUMENTS

D. 299,228	1/1989	Kurosu et al.	D14/141
D. 299,717	2/1989	Fukutome	D14/141
D. 303,386	9/1989	Iino	D14/142
D. 306,730	3/1990	Sugano et al.	D14/151
D. 307,426	4/1990	Ohta et al.	D14/142
D. 307,430	4/1990	Desbarats	D14/151

D. 316,857	5/1991	Park	D14/138
D. 319,829	9/1991	Wu	D14/151
D. 322,786	12/1991	Wu	D14/151
D. 356,087	3/1995	Jarrett et al.	D14/151
D. 368,090	3/1996	Zeitman	D14/151
D. 389,144	1/1998	Hua	D14/151
D. 406,842	3/1999	Zeitman	D14/151
D. 412,330	7/1999	Shigenmura	D14/151
5,131,034	7/1992	Read	379/435

Primary Examiner—Jeffrey Asch

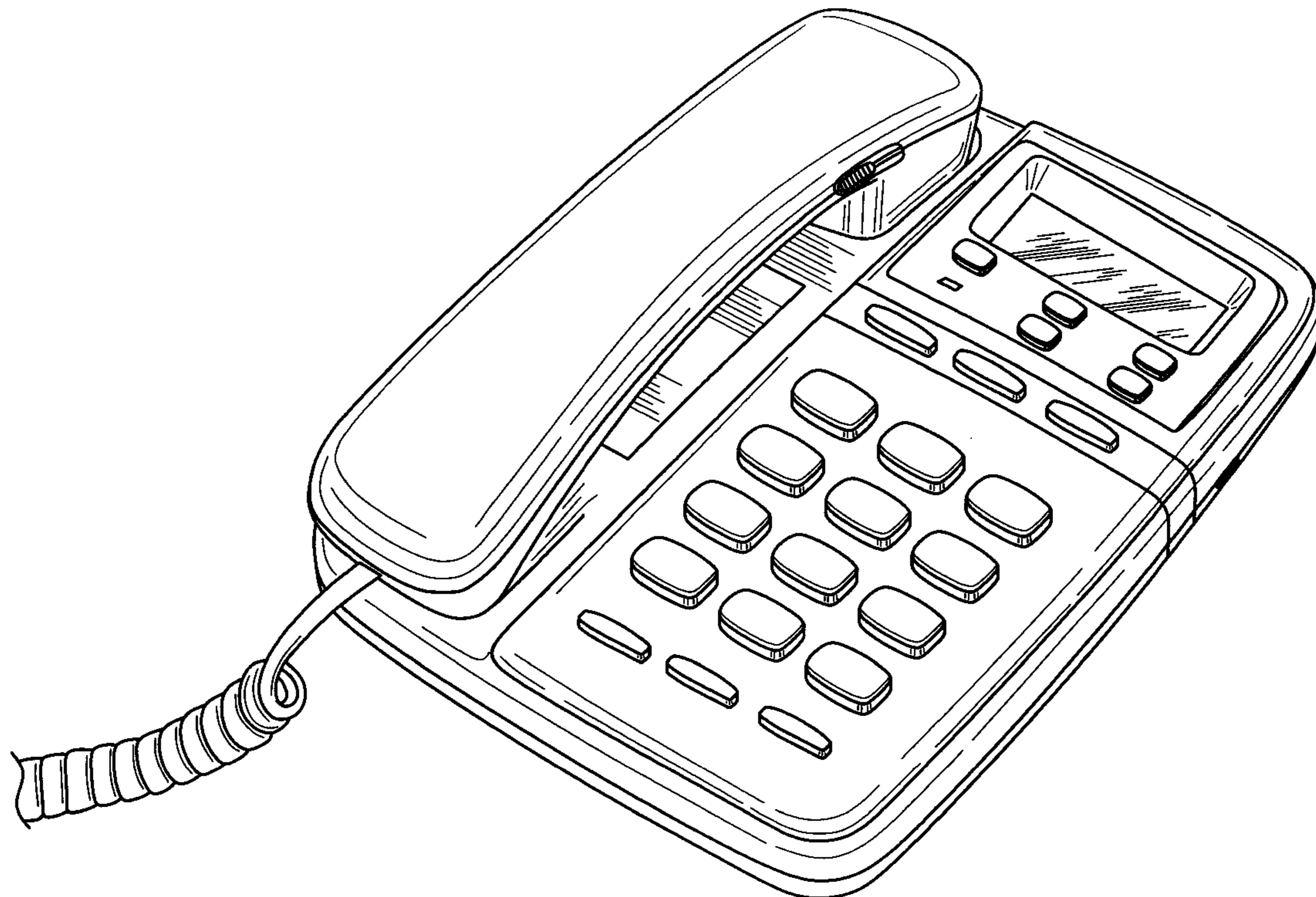
[57] **CLAIM**

The ornamental design for a “telephone”, as shown and described.

DESCRIPTION

FIG. 1 is a perspective view of a “telephone” showing my design;
FIG. 2 is a bottom view thereof;
FIG. 3 is a top plan view thereof;
FIG. 4 is a left side view thereof;
FIG. 5 is a right side view thereof;
FIG. 6 is a back view thereof; and,
FIG. 7 is a front view thereof.

1 Claim, 7 Drawing Sheets



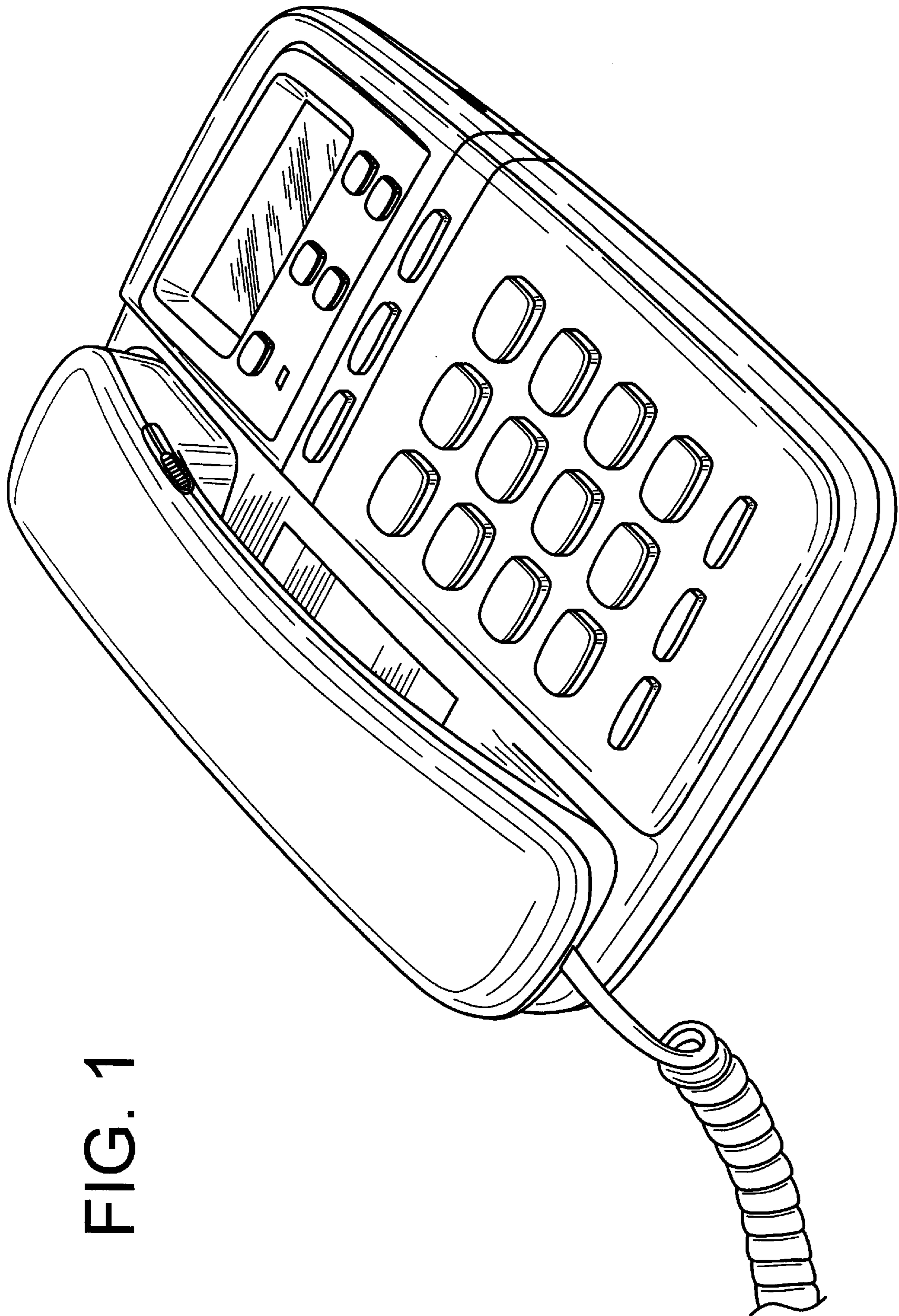


FIG. 1

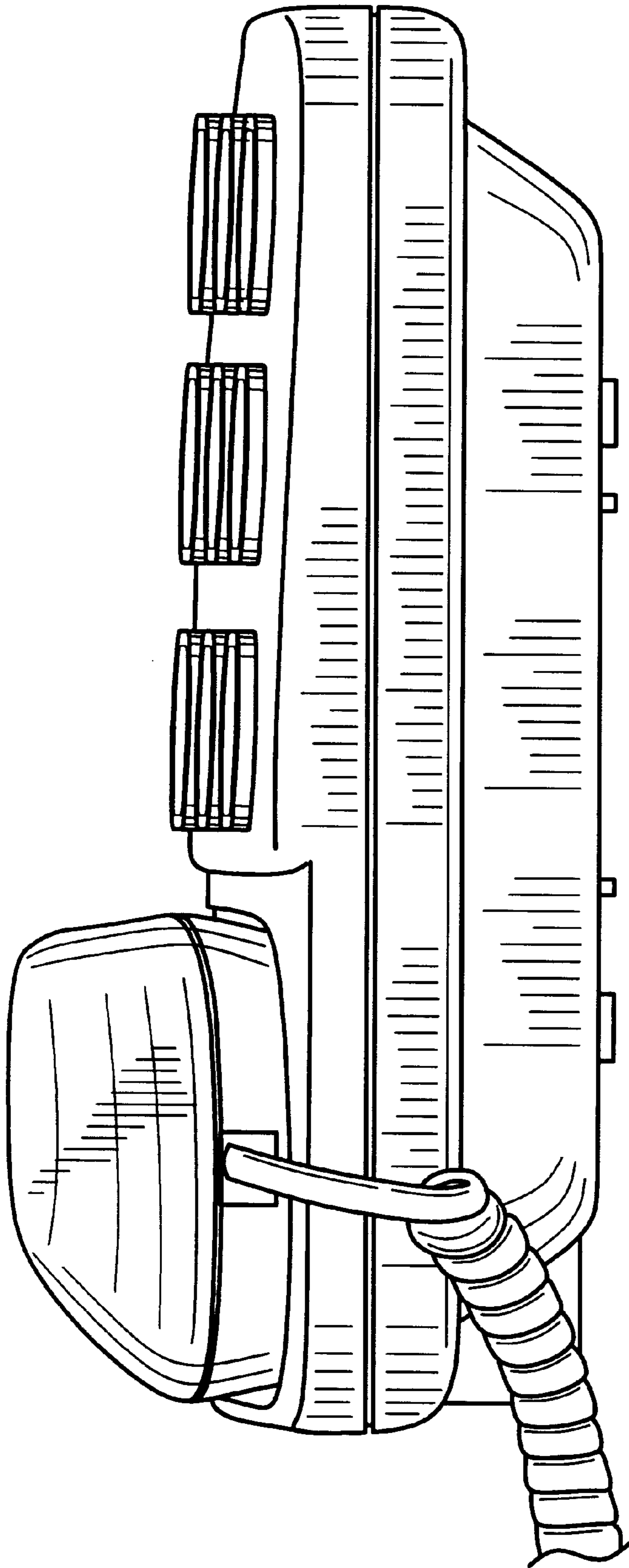


FIG. 2

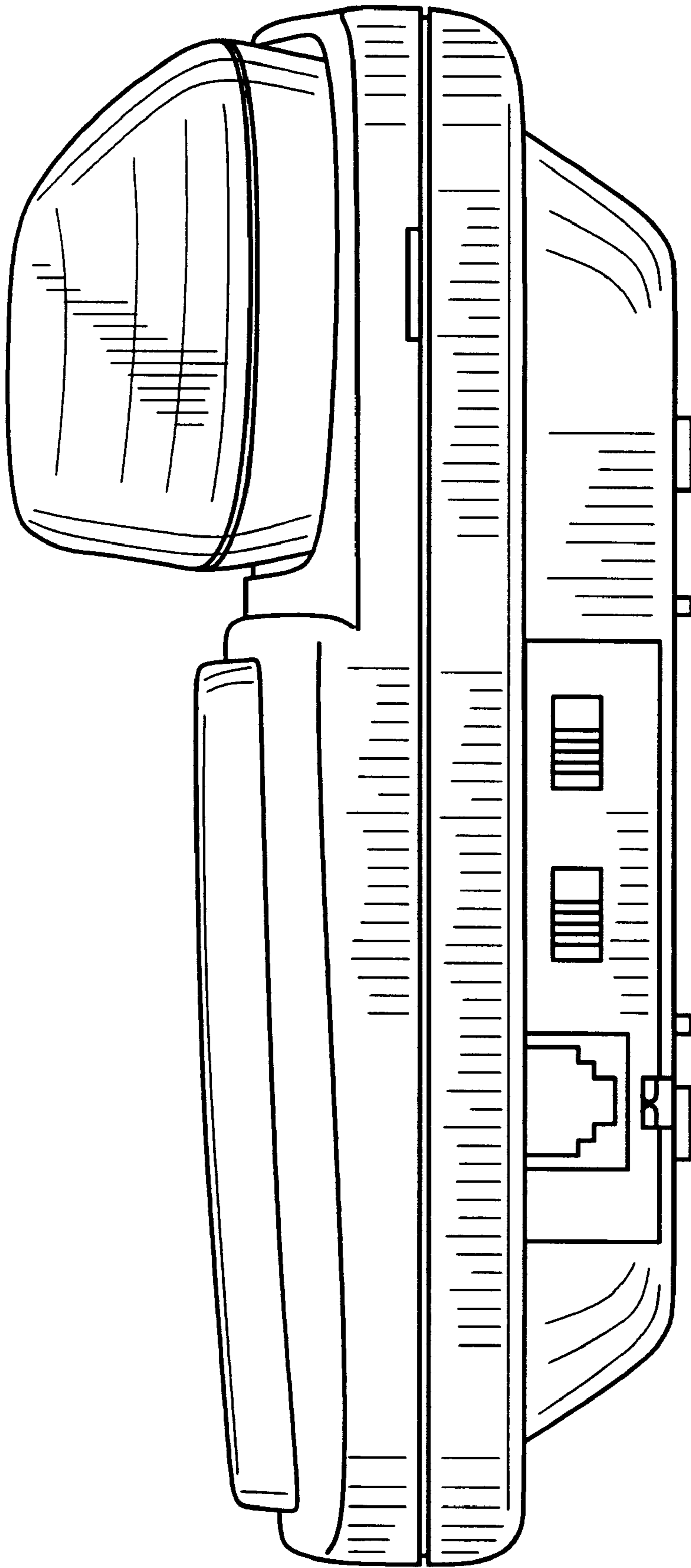


FIG. 3

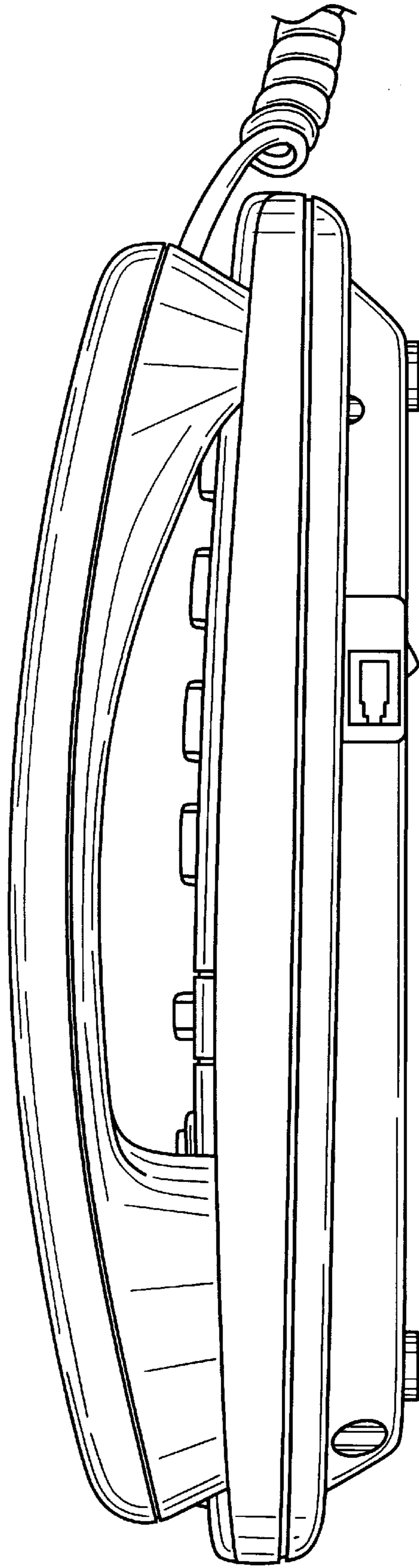


FIG. 4

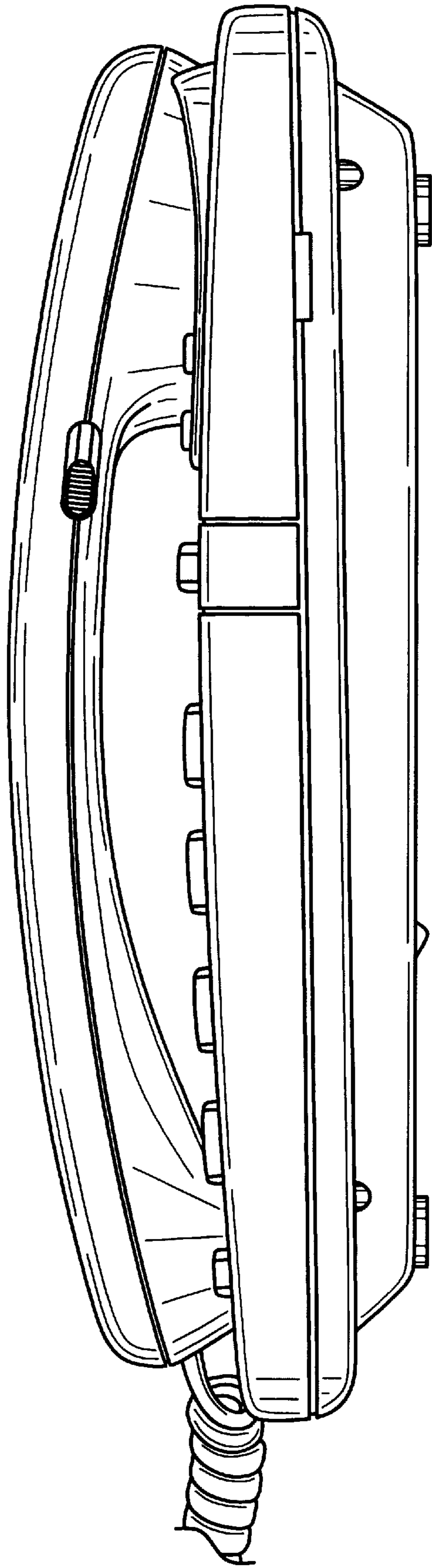


FIG. 5

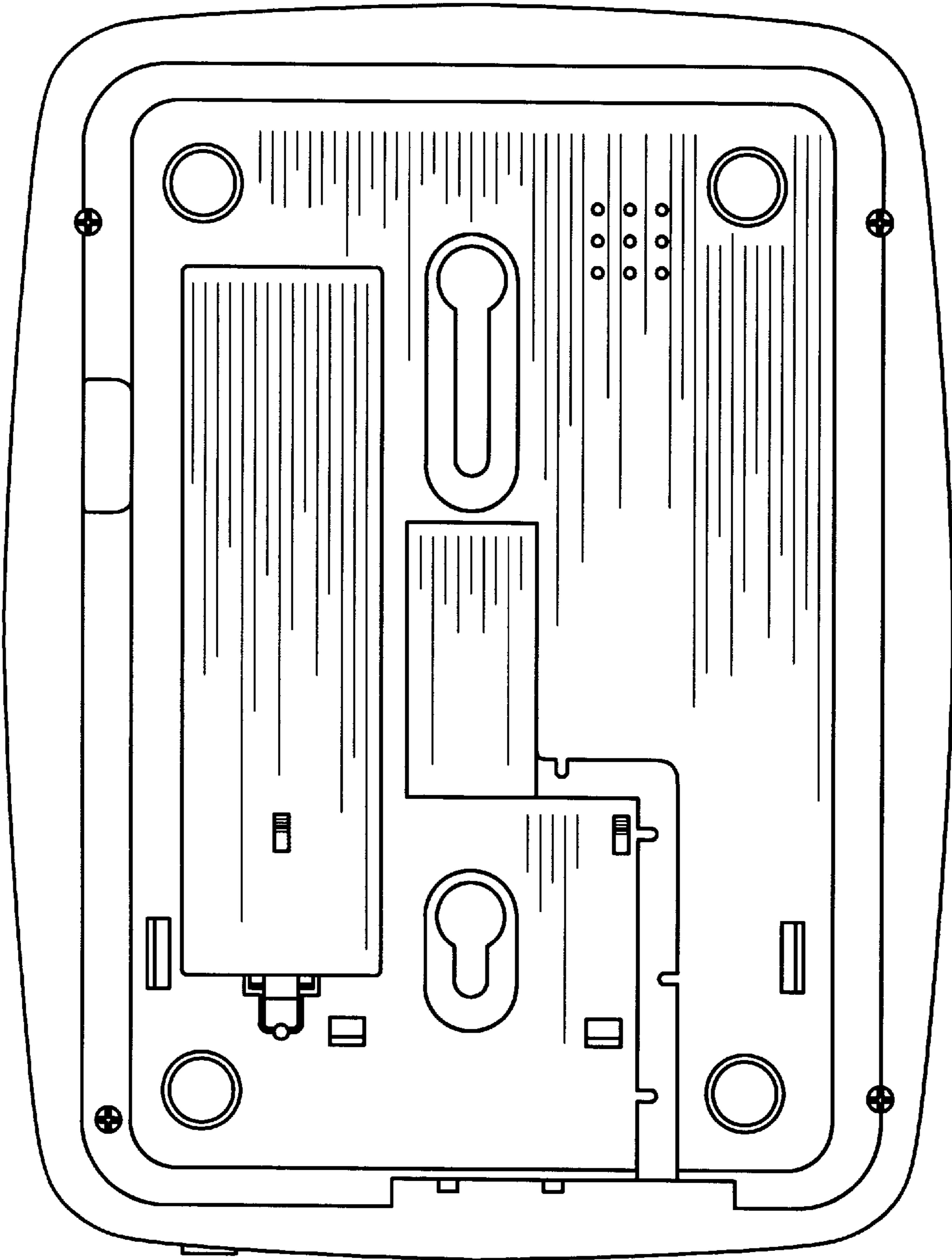


FIG. 6

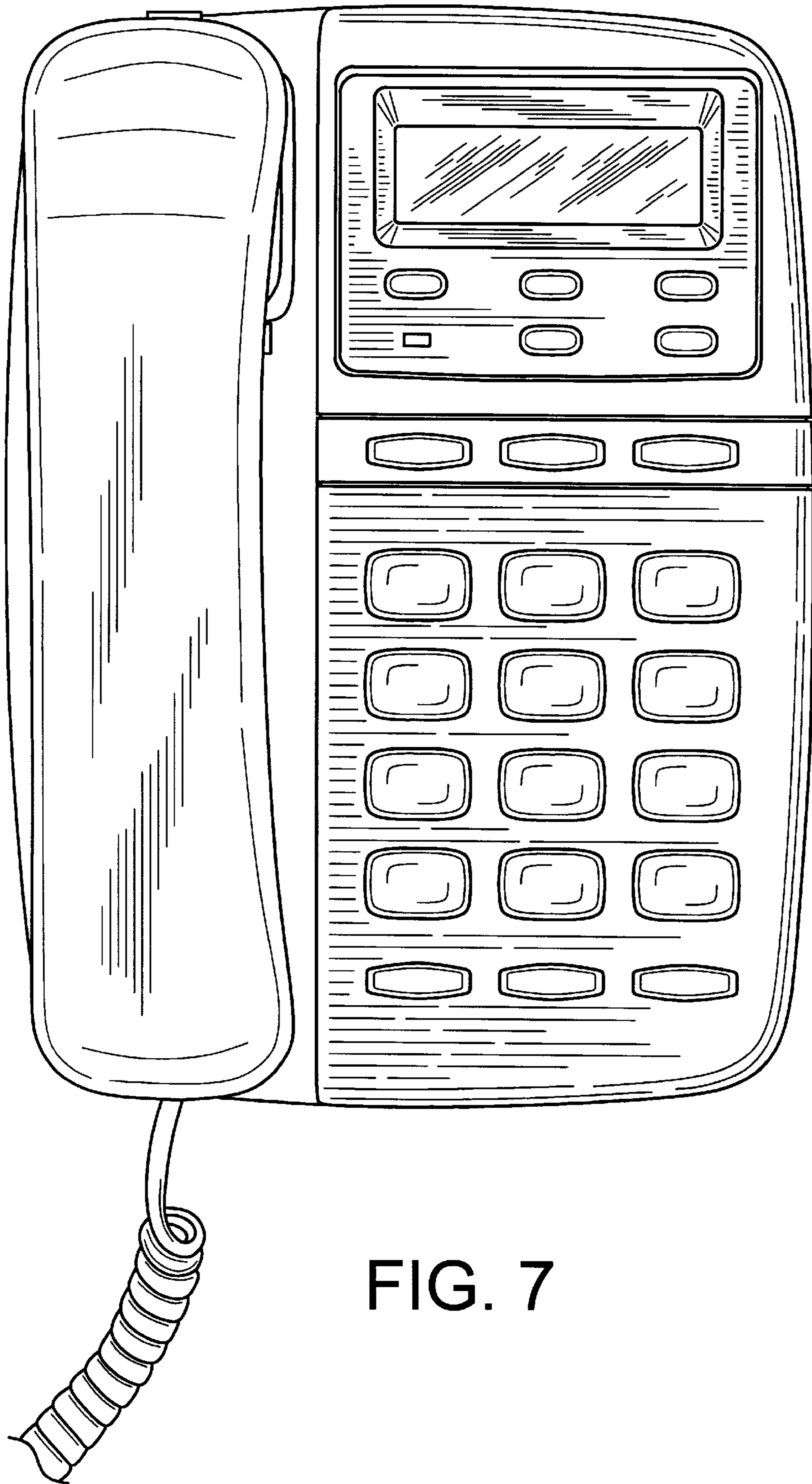


FIG. 7