



US00D426528S

United States Patent [19]

Takagi et al.

[11] Patent Number: Des. 426,528

[45] Date of Patent: ** Jun. 13, 2000

[54] TELEVISION MONITOR COMBINED WITH VIDEO TAPE RECORDER

[75] Inventors: Noriaki Takagi; Takao Nakayama, both of Tokyo, Japan

[73] Assignee: Sony Corporation, Tokyo, Japan

[**] Term: 14 Years

[21] Appl. No.: 29/092,225

[22] Filed: Aug. 14, 1998

[51] LOC (7) Cl. 14-03

[52] U.S. Cl. D14/129; D14/134

[58] Field of Search D14/113, 126-134; 312/7.2; 348/552, 836, 838

[56] References Cited

U.S. PATENT DOCUMENTS

D. 376,798	12/1996	Renk	D14/133
D. 383,126	9/1997	Starck	D14/134
D. 384,342	9/1997	Maeno et al.	D14/126
D. 394,650	5/1998	Hirokawa	D14/129

OTHER PUBLICATIONS

Sony Catalog "87", pp. 37 and 46, (Nov., 1997).

Primary Examiner—Ted Shooman
Assistant Examiner—Richelle Shelton

Attorney, Agent, or Firm—Foley & Lardner

[57] CLAIM

The ornamental design for a television monitor combined with video tape recorder, as shown and described.

DESCRIPTION

FIG. 1 is a perspective view of a first embodiment of a television monitor combined with a video tape recorder showing my new design;
 FIG. 2 is a top plan view thereof;
 FIG. 3 is a front elevational view thereof;
 FIG. 4 is a rear elevational view thereof;
 FIG. 5 is a left side elevational view thereof;
 FIG. 6 is a right side elevational view thereof; and,
 FIG. 7 is a perspective view thereof, with the lid portion in the open position.
 FIG. 8 is a perspective view of a second embodiment of a television monitor combined with a video tape recorder;
 FIG. 9 is a top plan view thereof;
 FIG. 10 is a bottom plan view thereof;
 FIG. 11 is a front elevational view thereof;
 FIG. 12 is a rear elevational view thereof;
 FIG. 13 is a left side elevational view thereof;
 FIG. 14 is a right side elevational view thereof; and,
 FIG. 15 is a perspective view thereof, with the lid portion in the open position.

1 Claim, 10 Drawing Sheets

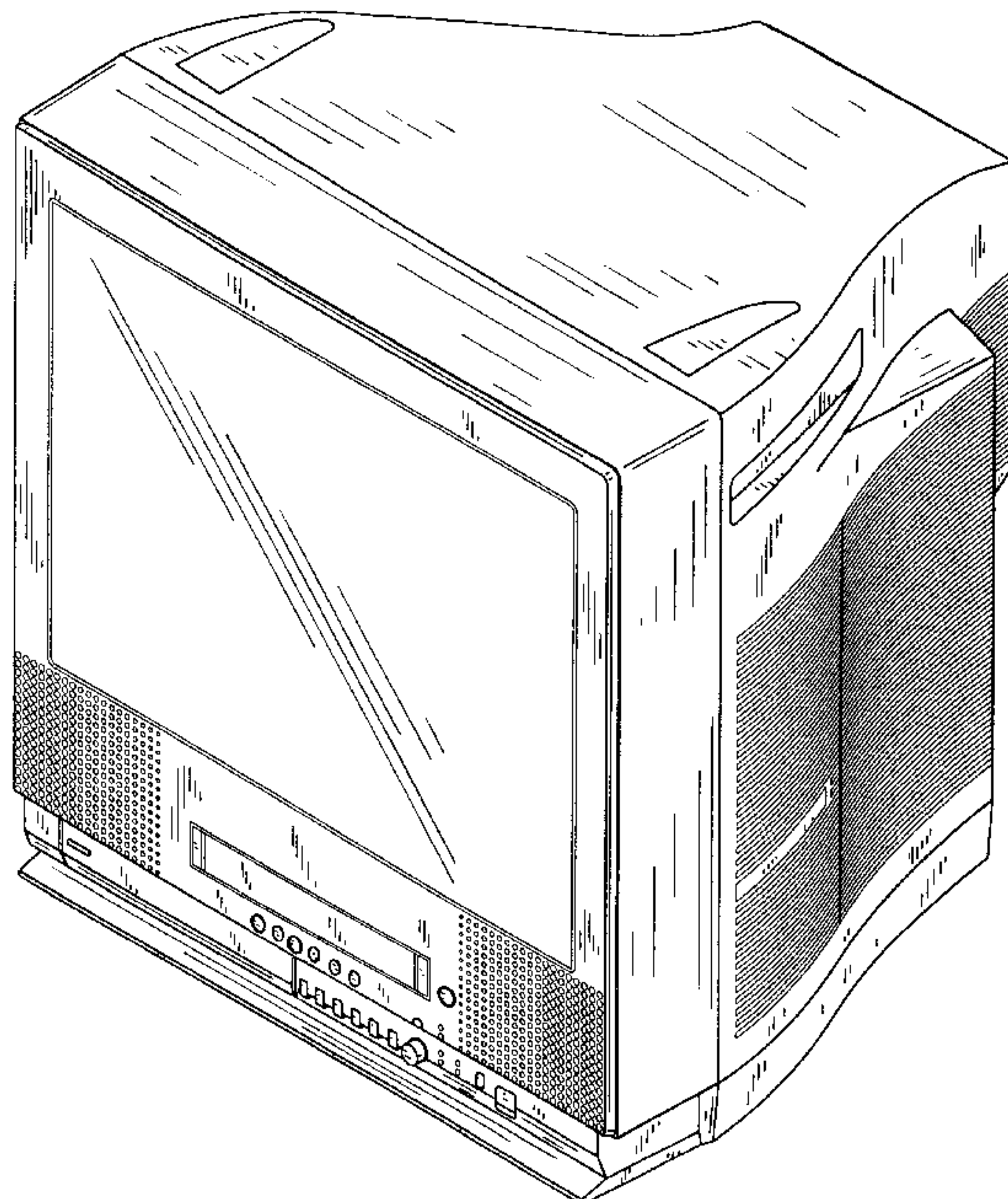
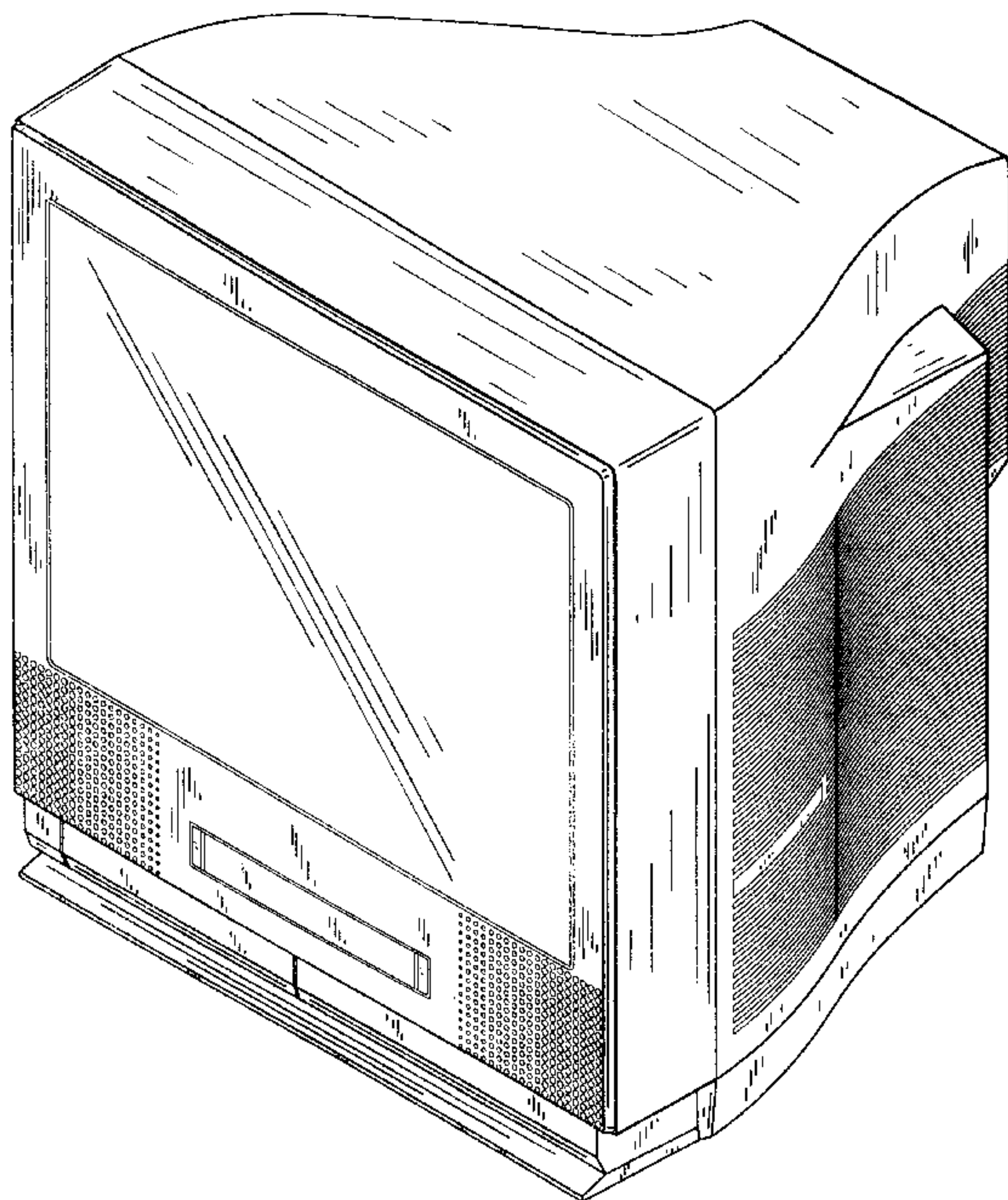


FIG. 1

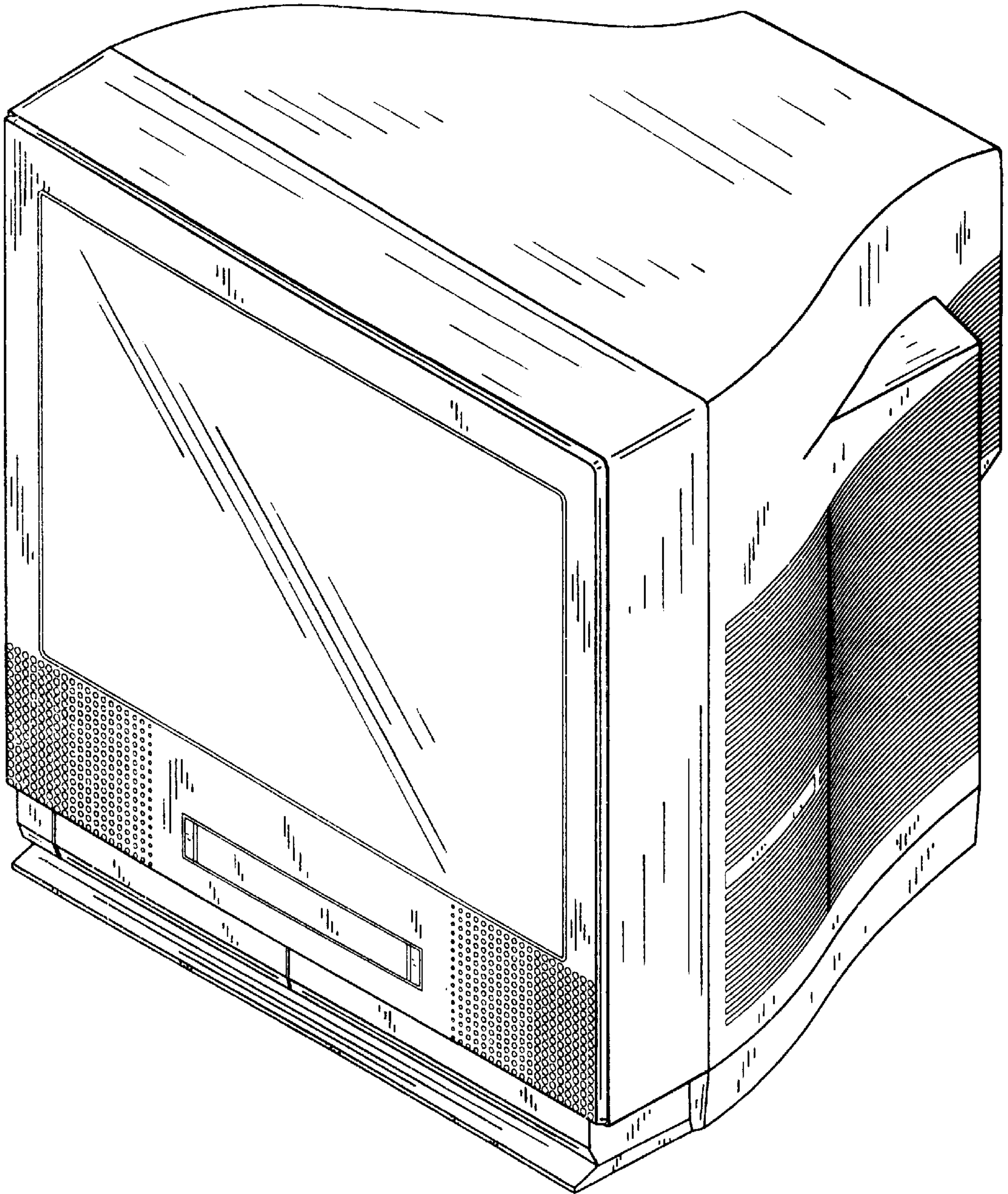


FIG. 2

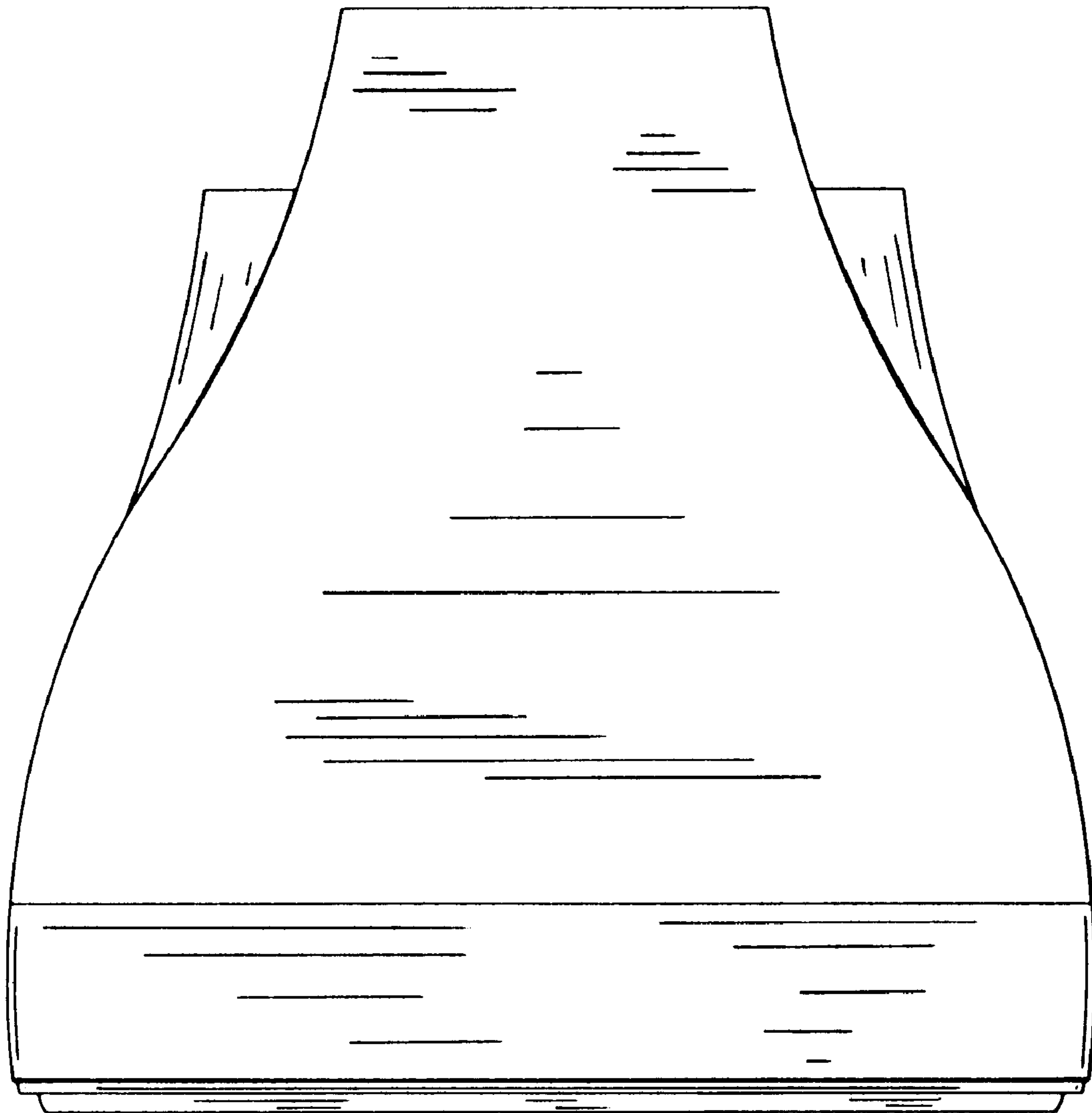


FIG. 4

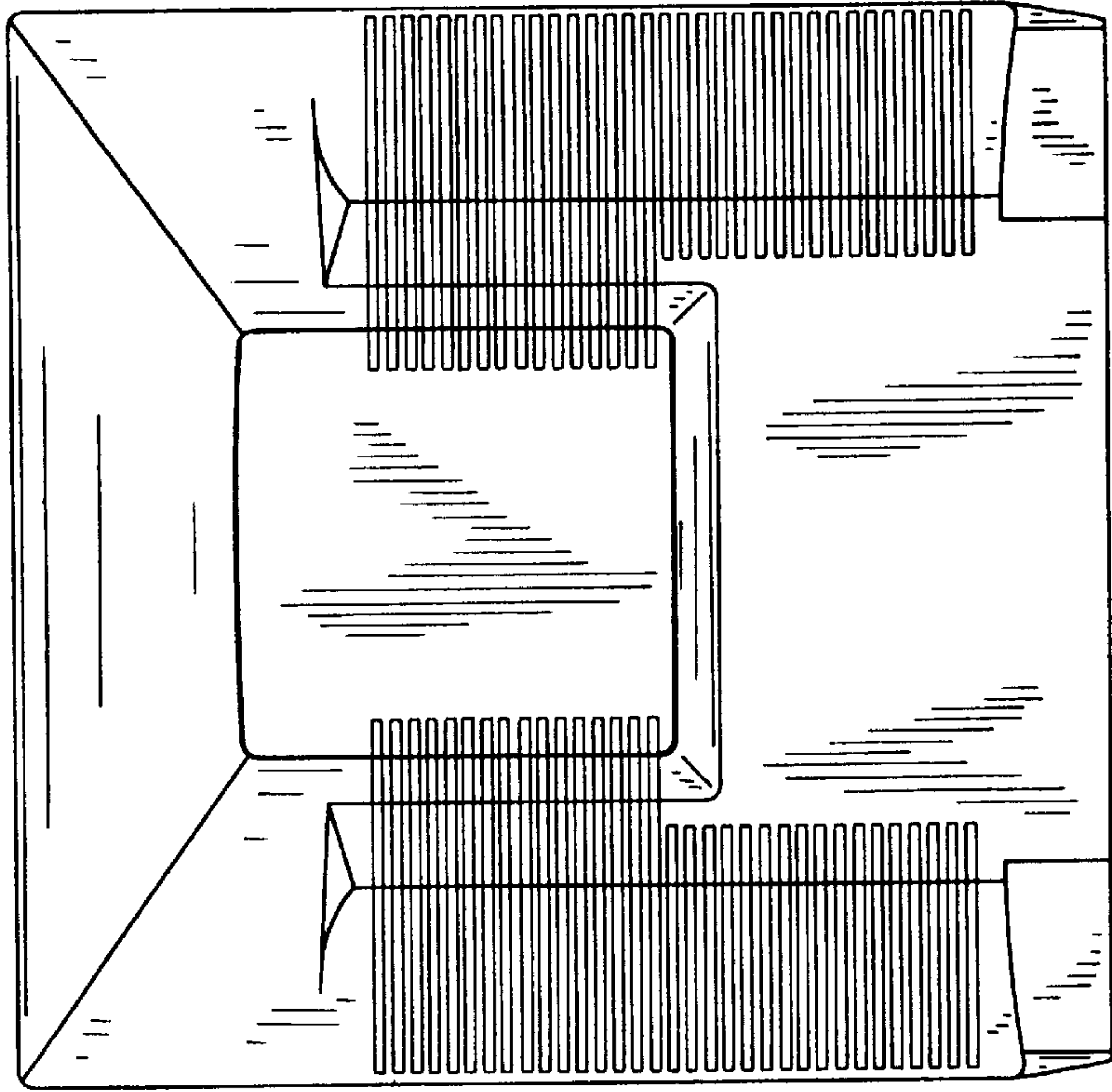


FIG. 3

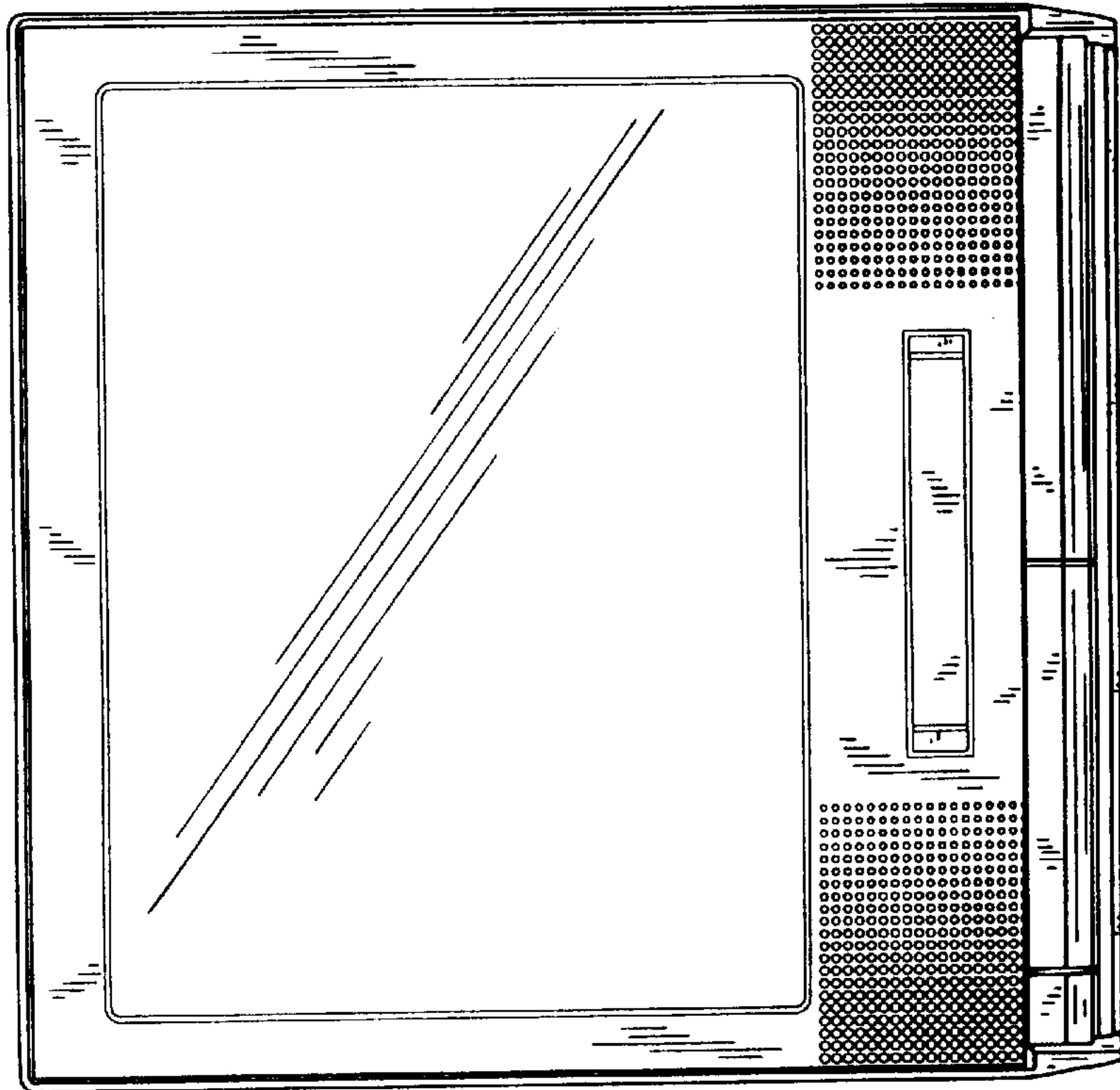


FIG. 6

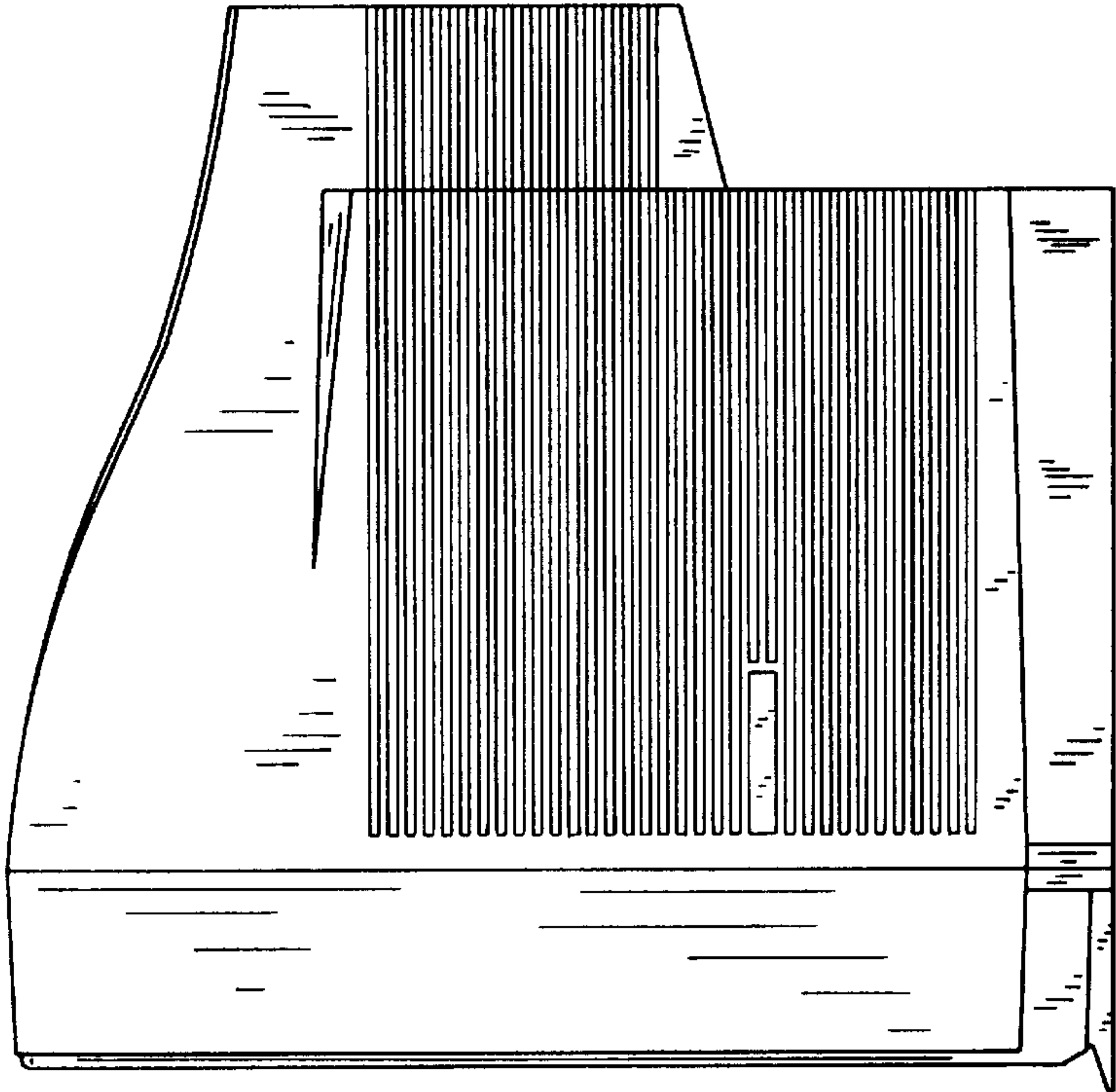


FIG. 5

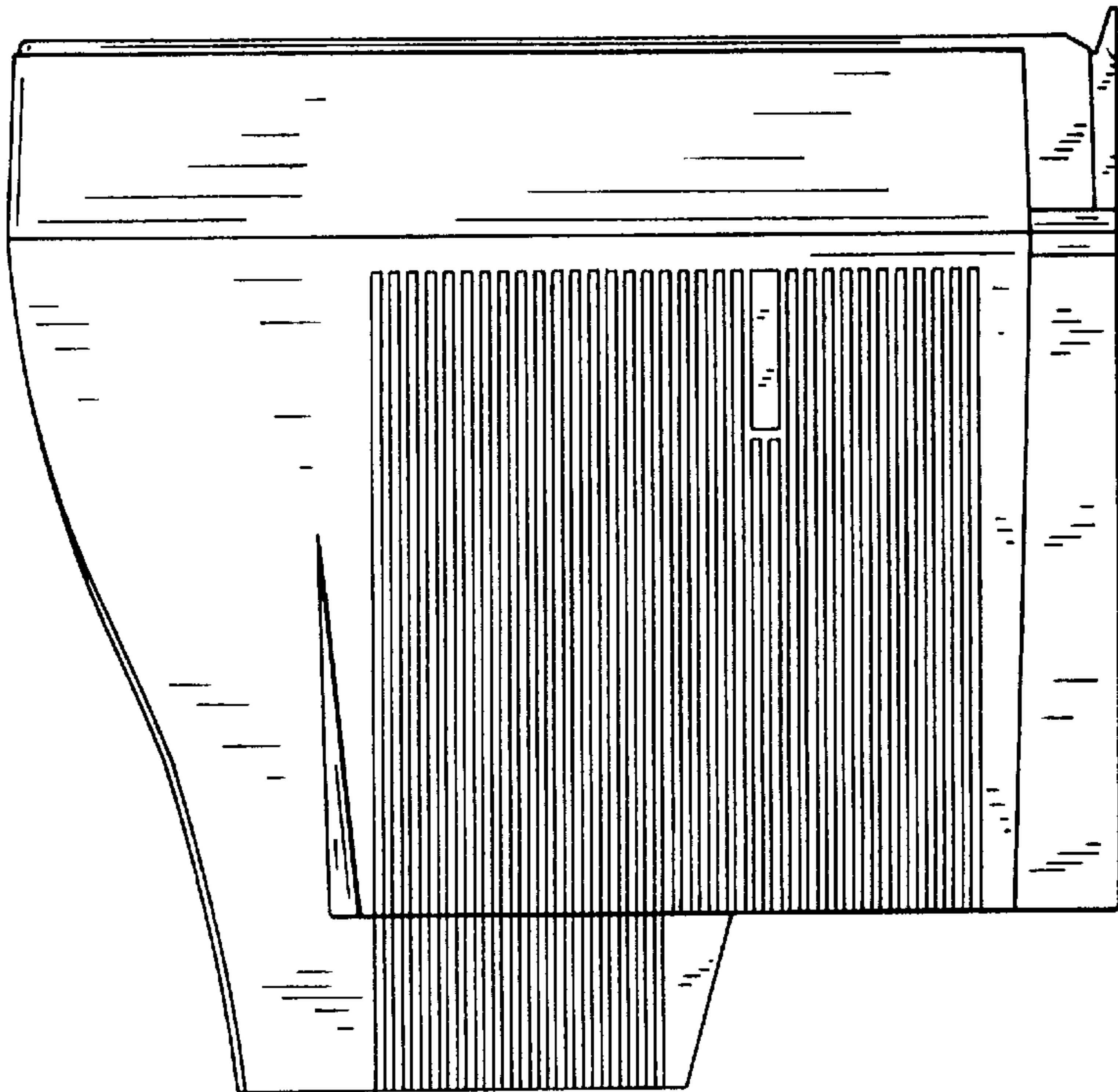


FIG. 7

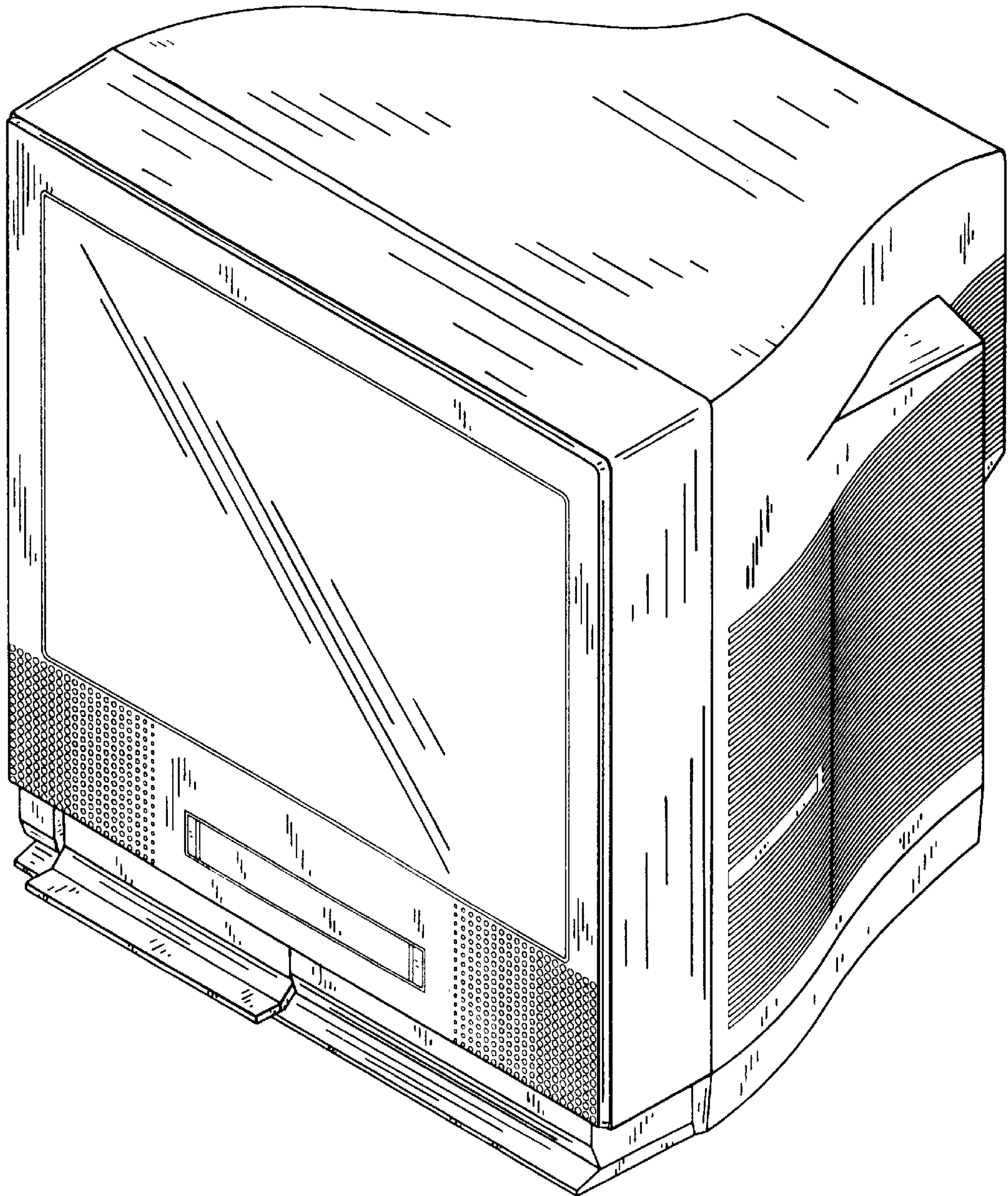


FIG. 8

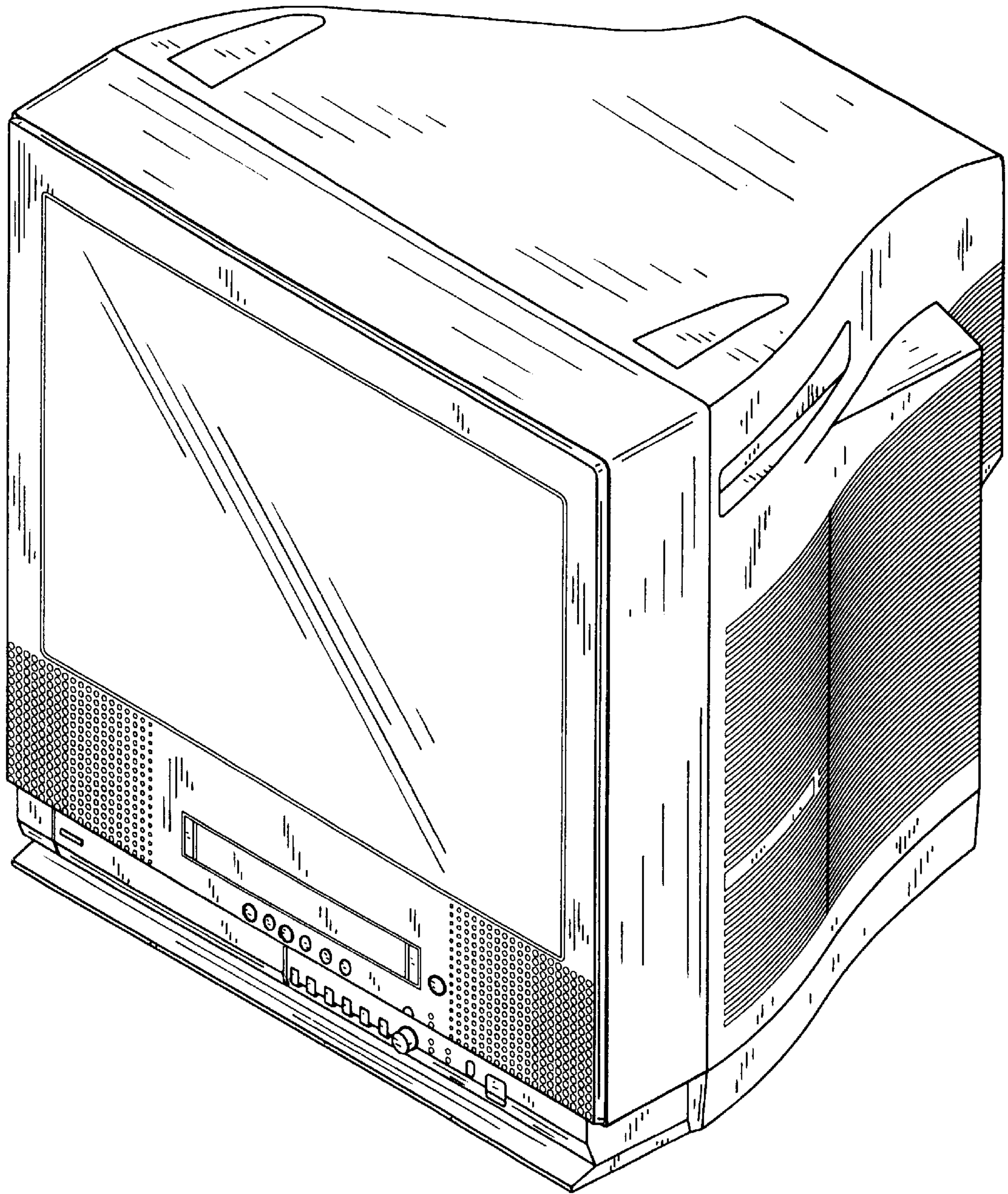


FIG. 10

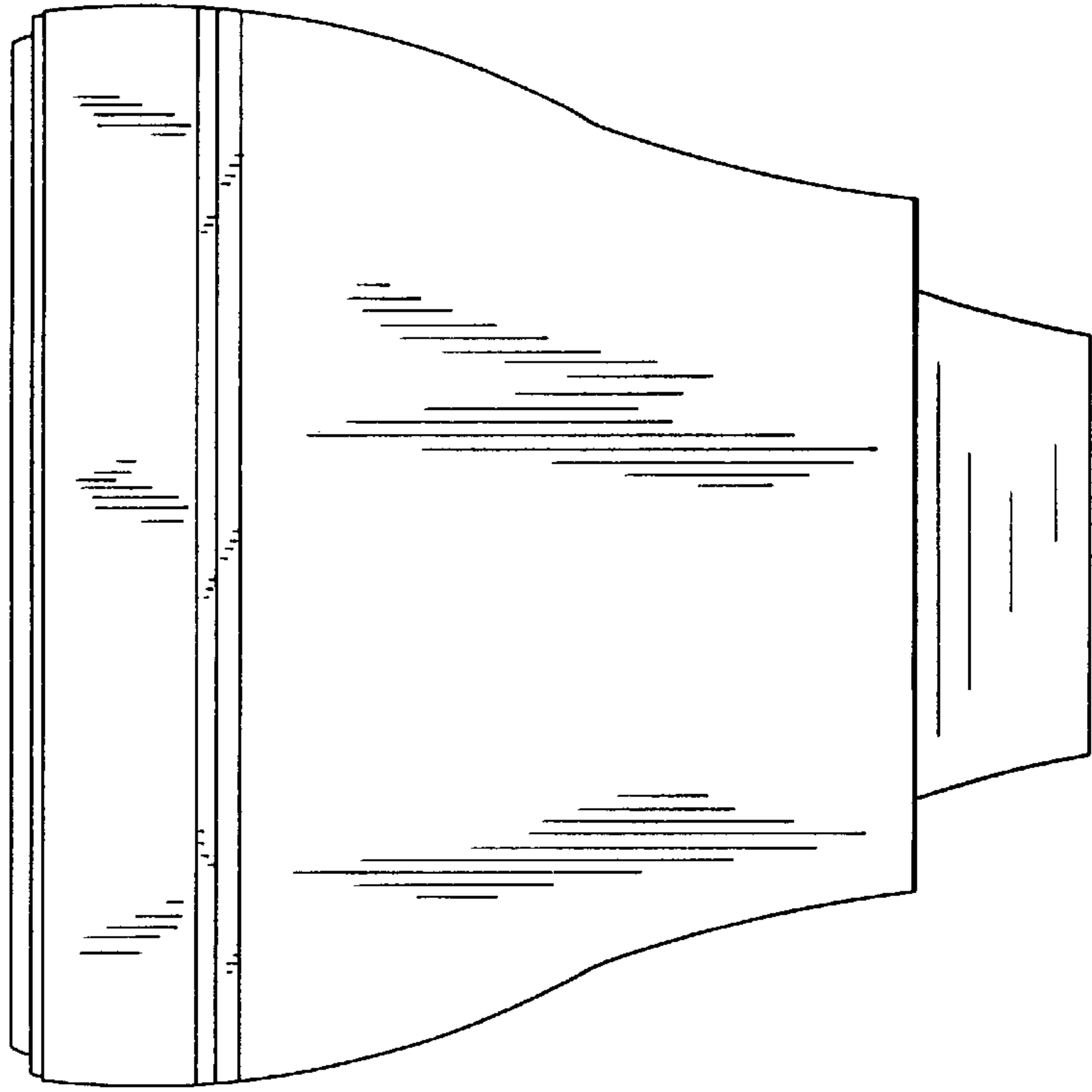


FIG. 9

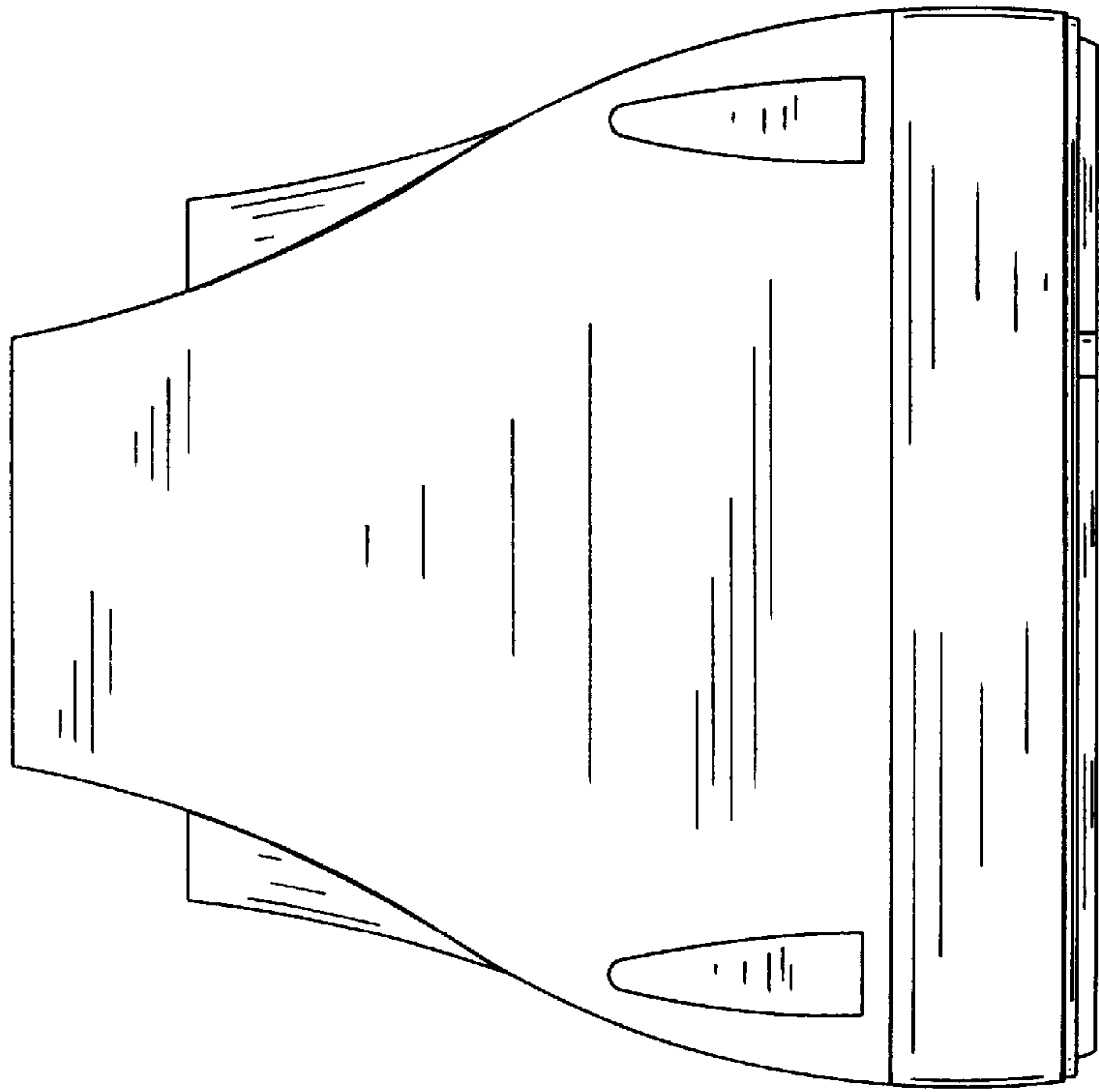


FIG. 12

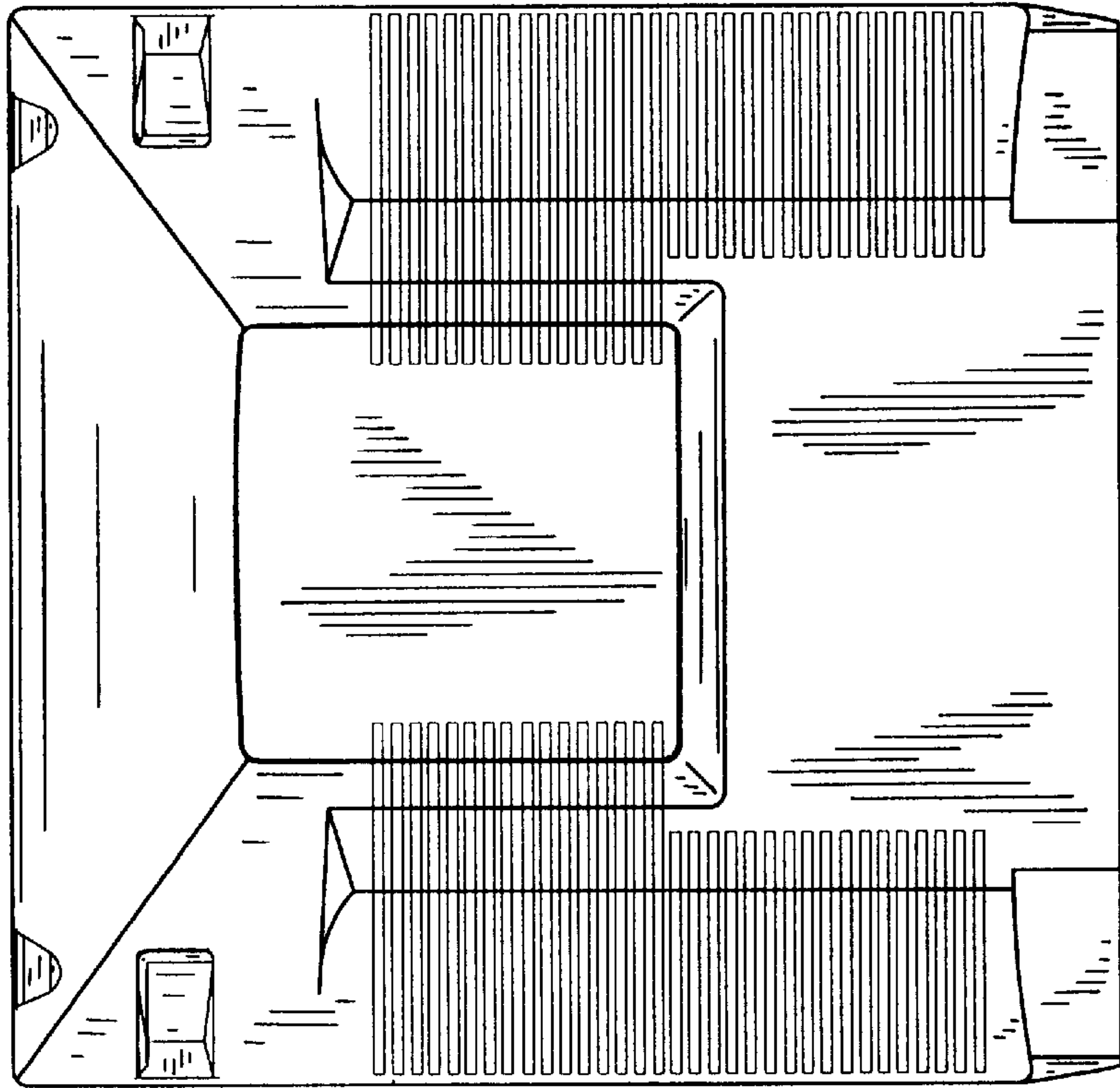


FIG. 11

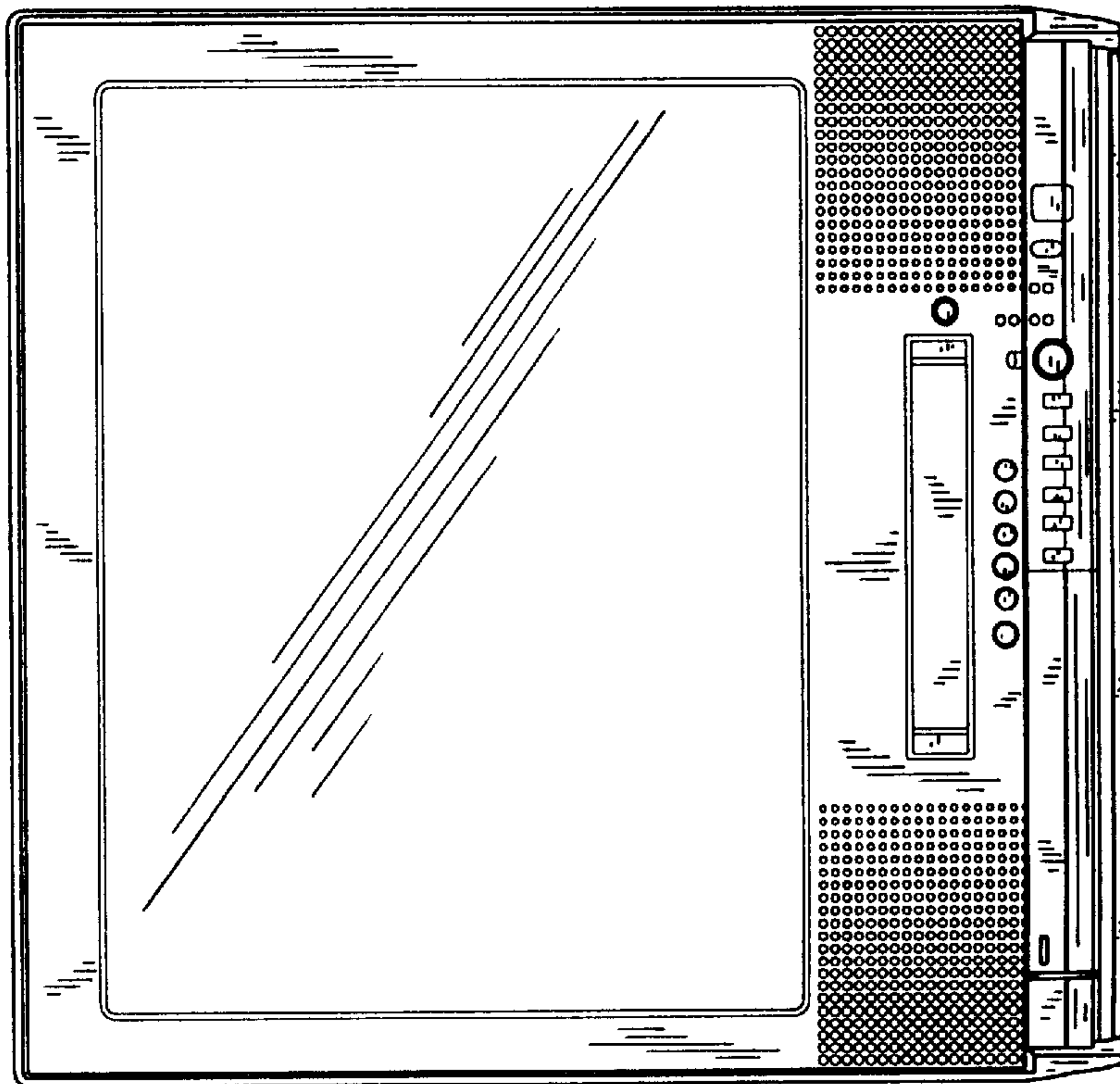


FIG. 14

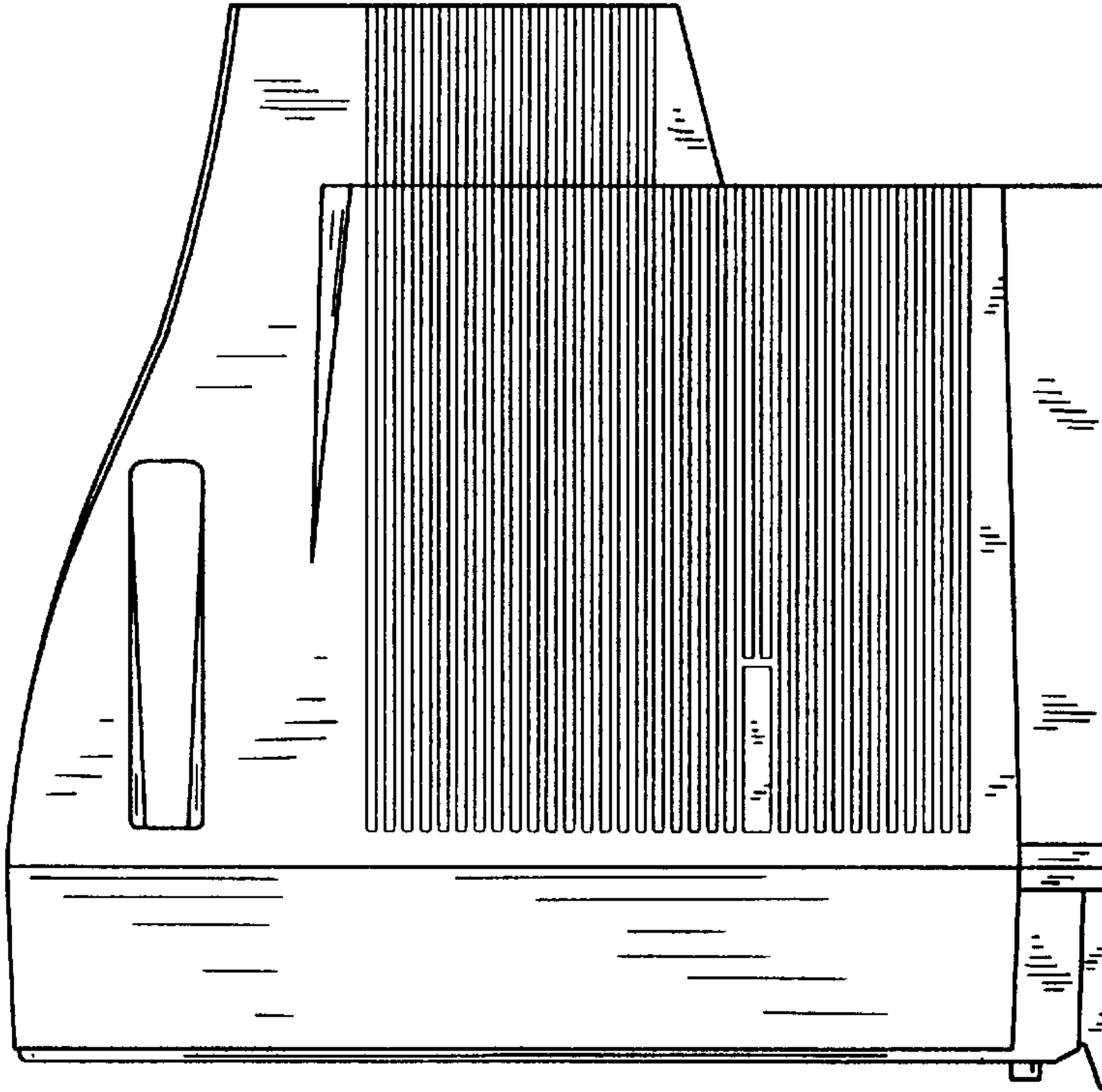


FIG. 13

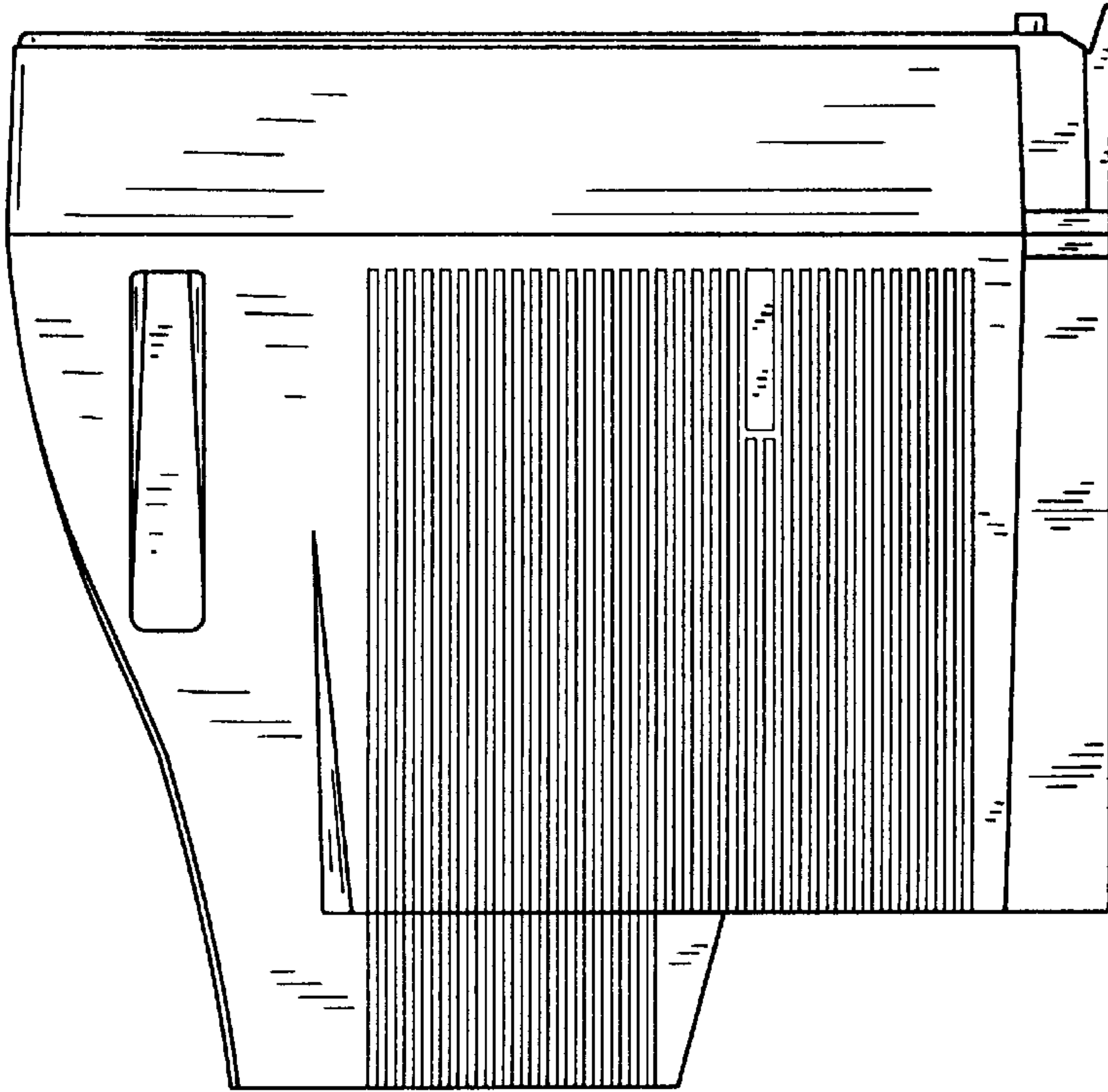


FIG. 15

