



US00D426525S

United States Patent [19] Coleman

[11] **Patent Number: Des. 426,525**

[45] **Date of Patent: ** Jun. 13, 2000**

[54] **WINDOW FOR A COMPUTER DISPLAY SCREEN**

[75] Inventor: **Patricia J. Coleman**, Montara, Calif.

[73] Assignee: **Apple Computer, Inc.**, Cupertino, Calif.

[**] Term: **14 Years**

[21] Appl. No.: **29/087,414**

[22] Filed: **May 1, 1998**

Related U.S. Application Data

[62] Division of application No. 29/038,431, May 5, 1995, Pat. No. Des. 402,284.

[51] **LOC (7) Cl.** **14-02**

[52] **U.S. Cl.** **D14/114.2**

[58] **Field of Search** D14/114, 114.1-114.9; D18/24-33; D20/11; D21/324-33; D19/6; 345/326, 339-40, 347-57

[56] References Cited

U.S. PATENT DOCUMENTS

D. 296,114 6/1988 Wells-Papanek et al. D18/27
D. 297,243 8/1988 Wells-Papanek et al. D18/27

(List continued on next page.)

FOREIGN PATENT DOCUMENTS

0650114 10/1994 European Pat. Off. .

OTHER PUBLICATIONS

MacDraw II User's Manual, Claris, screen, p. 4, 1988.

Microsoft Windows User's Guide, Version 2.0, Microsoft Corp., clipboard window, p. 132, 1987.

Microsoft Windows 3.1 User's Guide, Microsoft, screen, p. 48, print manager window, p. 215, screen, p. 221, screen, p. 20, 1992.

Hypertext User's Guide, Apple Software, short and full menus, p. 66, 1988.

Masteirng WordPerfect 5.1 for Windows, Cybex, create comment dialog box, p. 83, screen, p. 1066, 1992.

World Atlas User's Guide, Software Toolworks, index map, p. 11, 1991.

"Apple Human Interface Guidelines: The Apple Desktop Interface," Addison-Wesley Publishing, Co., 1992, pp. 20-27, 40-48, 65-73, and 87-88.

"Excel Quickstart" Guide, 1985, Que Corp., pp. 42 and 62.

"Business Filevision Manual", 1985, Telos Software, p. 2.

"IBM OS/2 2.0 Presentation Manager Graphics Programming Guide", 1992, pp. 5-1 to 5-5, 7-1 to 7-9.

Primary Examiner—M. H. Tung

Attorney, Agent, or Firm—Helene Plotka Workman

[57] CLAIM

The ornamental design for a window for a computer display screen, as shown and described.

DESCRIPTION

The file of this patent contains at least one drawing executed in color. Copies of this patent with color drawing(s) will be provided by the Patent and Trademark Office upon request and payment of the necessary fee.

FIG. 1 is a front view of a window for a computer display screen;

FIG. 2 is a front view of a second embodiment thereof;

FIG. 3 is a front view of a third embodiment thereof;

FIG. 4 is a front view of a fourth embodiment thereof;

FIG. 5 is a front view of a fifth embodiment thereof;

FIG. 6 is a front view of a sixth embodiment thereof;

FIG. 7 is a front view of a seventh embodiment thereof;

FIG. 8 is a front view of an eighth embodiment thereof;

FIG. 9 is a front view of a ninth embodiment thereof;

FIG. 10 is a front view of a tenth embodiment thereof;

FIG. 11 is a front view of an eleventh embodiment thereof;

FIG. 12 is a front view of a twelfth embodiment thereof;

FIG. 13 is a front view of a thirteenth embodiment thereof;

FIG. 14 is a front view of a fourteenth embodiment thereof;

FIG. 15 is a front view of a fifteenth embodiment thereof;

FIG. 16 is a front view of a sixteenth embodiment thereof;

FIG. 17 is a front view of a seventeenth embodiment thereof;

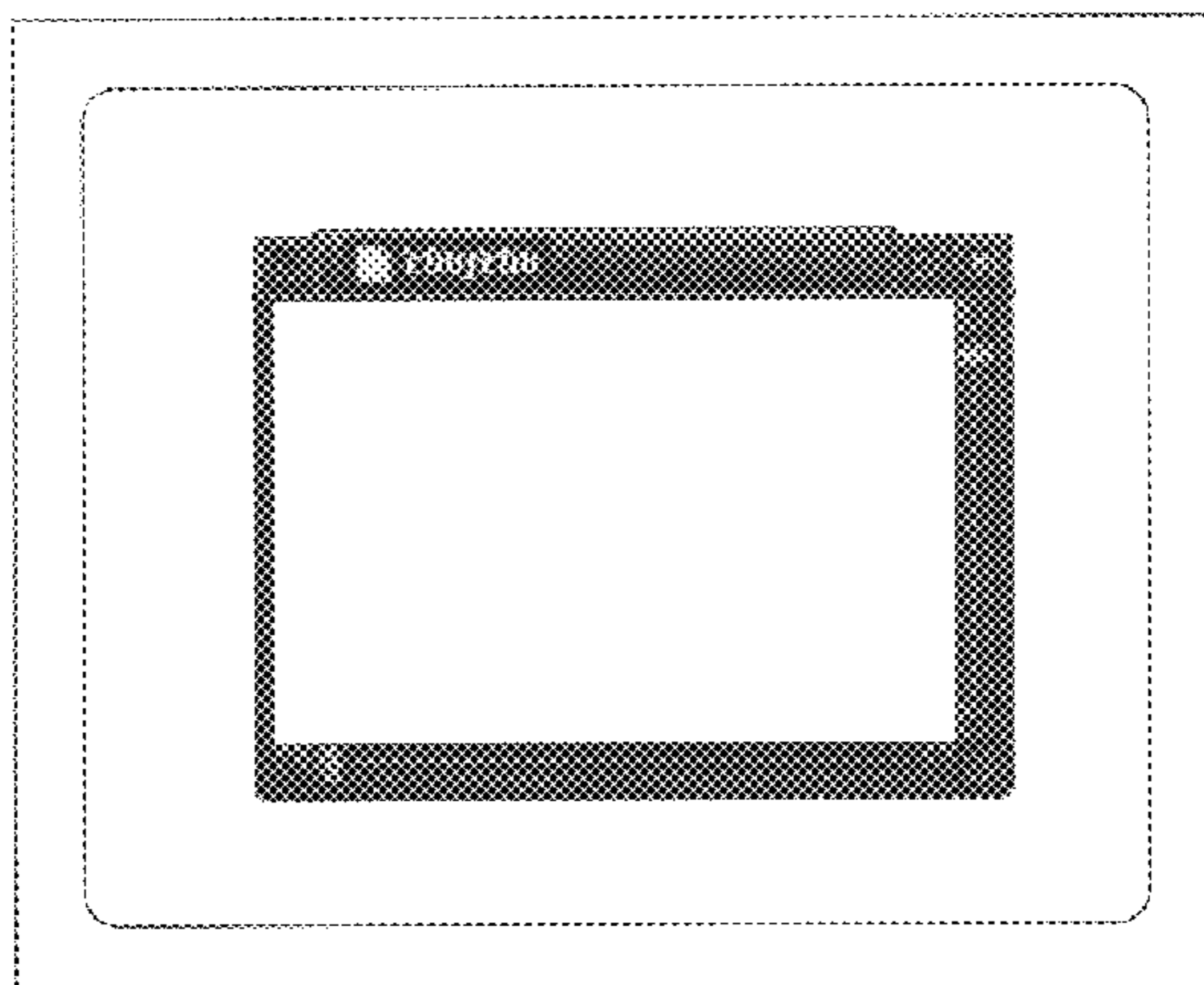
FIG. 18 is a front view of an eighteenth embodiment thereof;

and,

FIG. 19 is a front view of a nineteenth embodiment thereof.

1 Claim, 19 Drawing Sheets

(6 of 19 Drawing Sheet(s) Filed in Color)



U.S. PATENT DOCUMENTS						
			5,327,529	7/1994	Fults et al.	395/155
			5,371,844	12/1994	Andrew et al.	395/155
			5,388,202	2/1995	Squires et al.	345/334
			5,450,540	9/1995	Spohrer et al.	395/155
			5,452,406	9/1995	Butler et al.	395/126
			5,559,942	9/1996	Gough et al.	395/155
			5,566,295	10/1996	Cypher et al.	395/161
			5,596,691	1/1997	Good et al.	395/140
			5,602,996	2/1997	Powers, III et al.	395/344
			5,603,034	2/1997	Swanson	395/701
			5,621,878	4/1997	Owens et al.	395/326
			5,627,954	5/1997	McFarland	395/139
			5,652,714	7/1997	Peterson et al.	364/550
			5,652,876	7/1997	Ashe et al.	395/500
D. 402,284	12/1998	Coleman	D14/114.2			
D. 404,385	1/1999	Hodgson	D14/114.2			
D. 406,122	2/1999	Hodgson	D14/114.2			
5,065,347	11/1991	Pajak et al.	345/348			
5,140,677	8/1992	Fleming et al.	345/348			
5,179,700	1/1993	Aihara et al.	395/650			
5,202,828	4/1993	Vertelney et al.	364/419			
5,202,961	4/1993	Mills et al.	395/159			
5,214,756	5/1993	Franklin et al.	345/348			
5,241,624	8/1993	Torres	345/429			
5,307,086	4/1994	Griffin et al.	345/146			

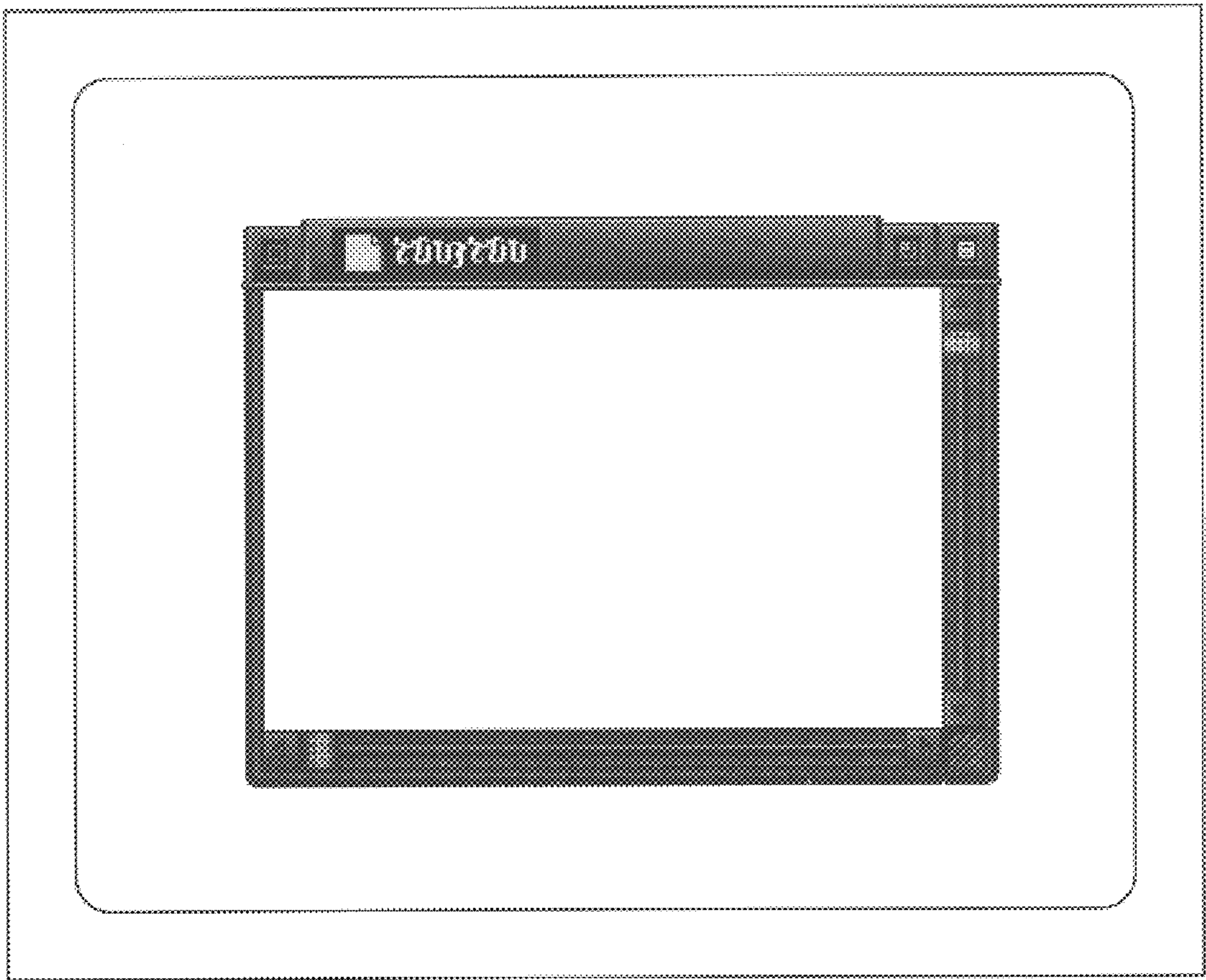


FIG. 1

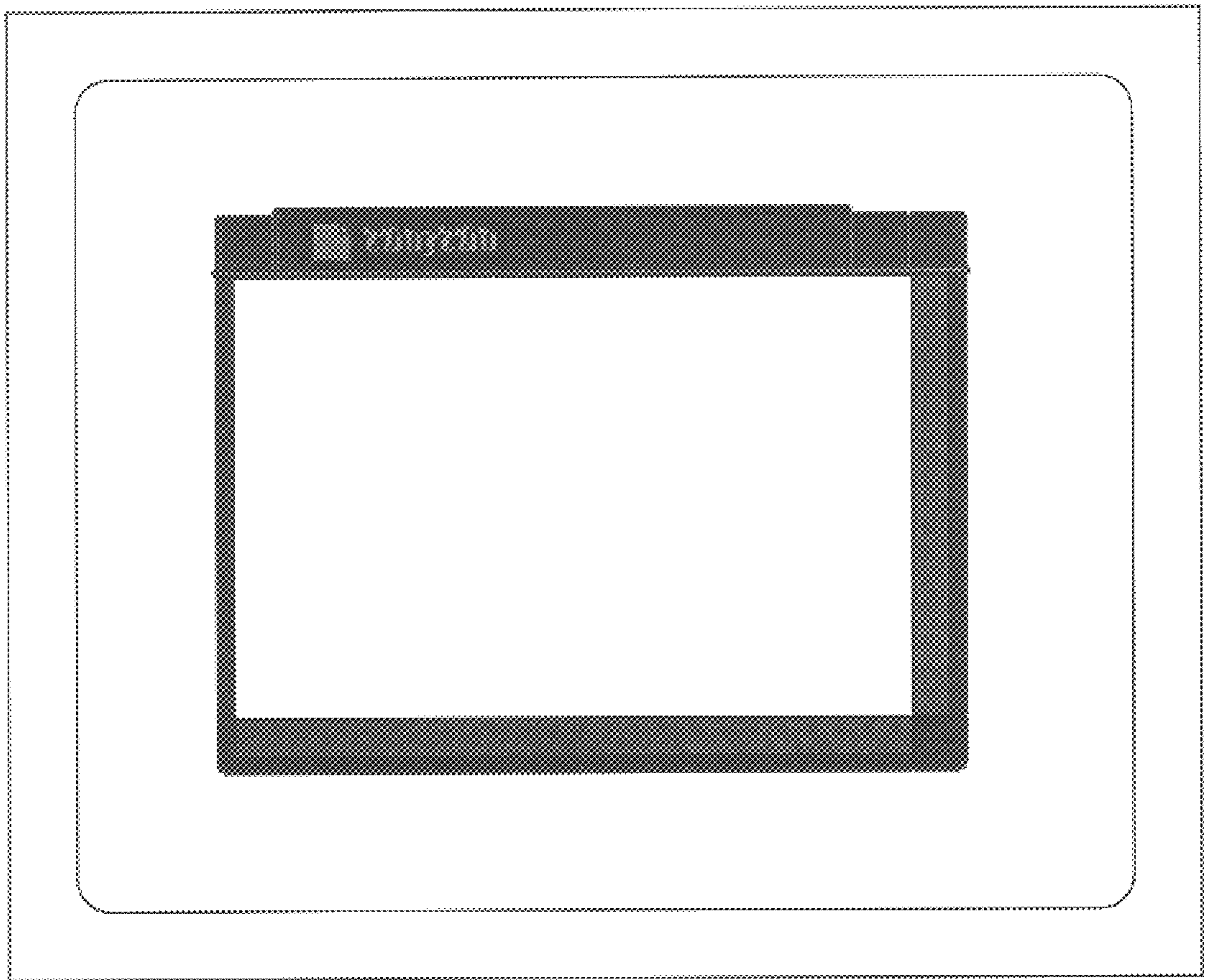


FIG. 2

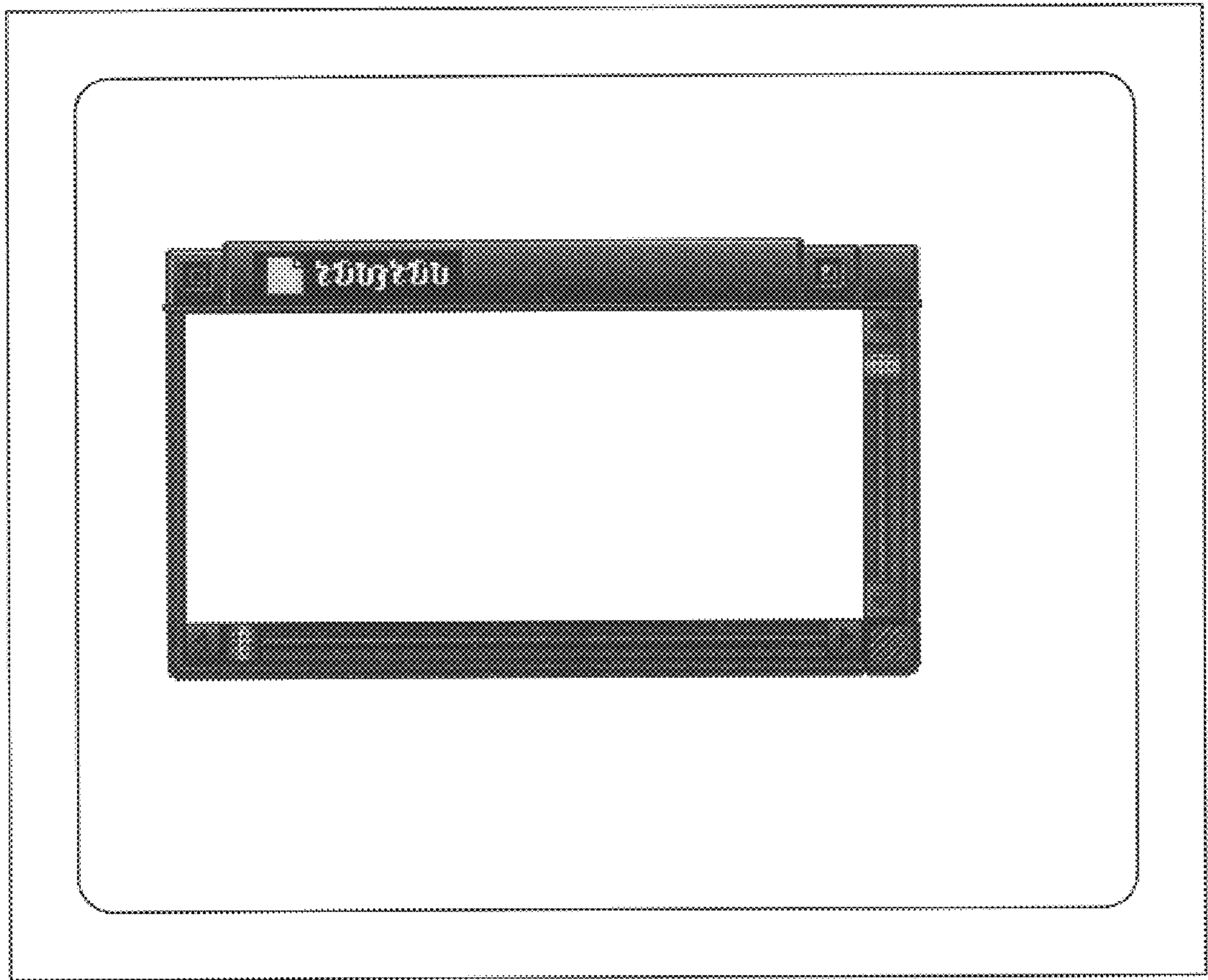


FIG. 3

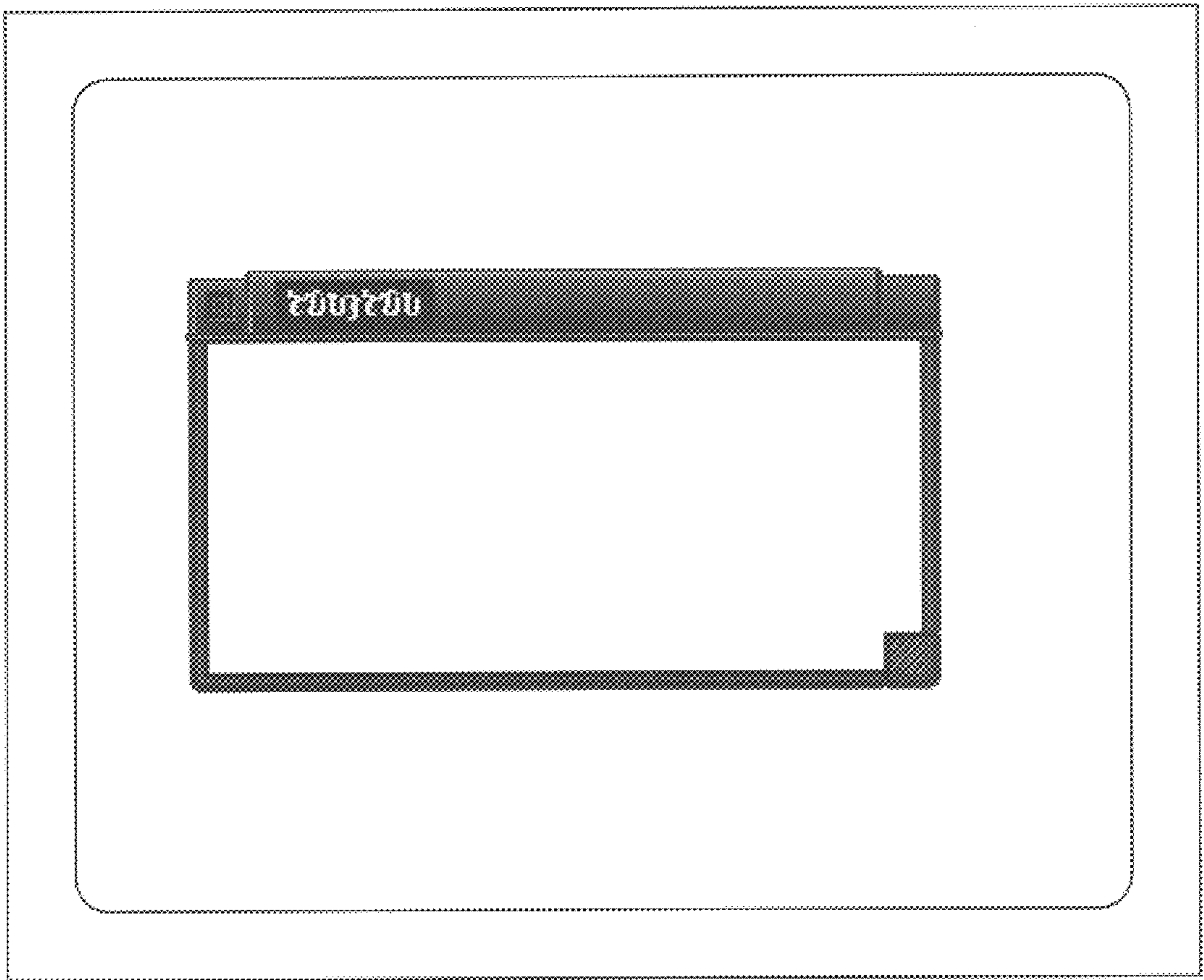


FIG. 4

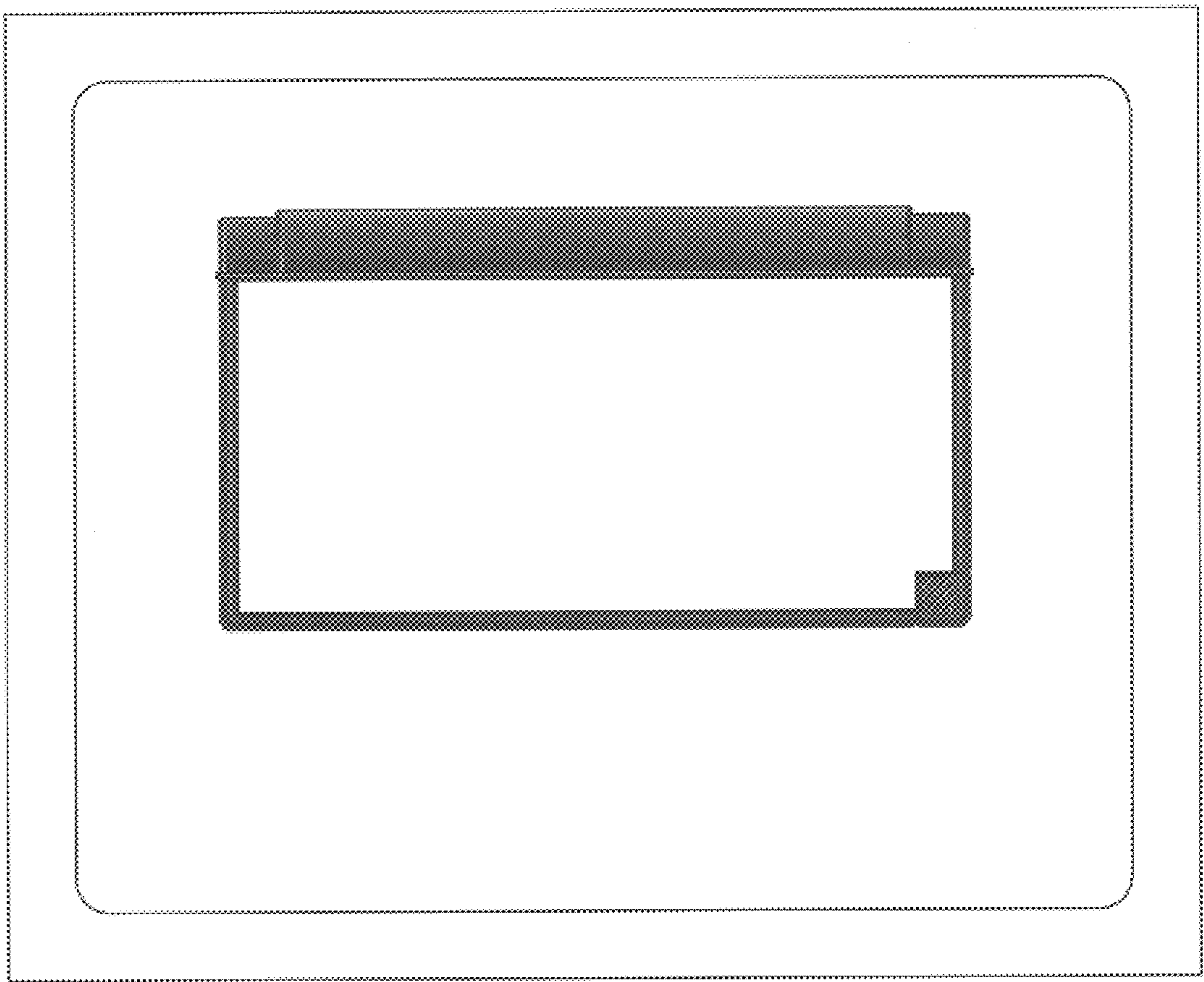


FIG. 5

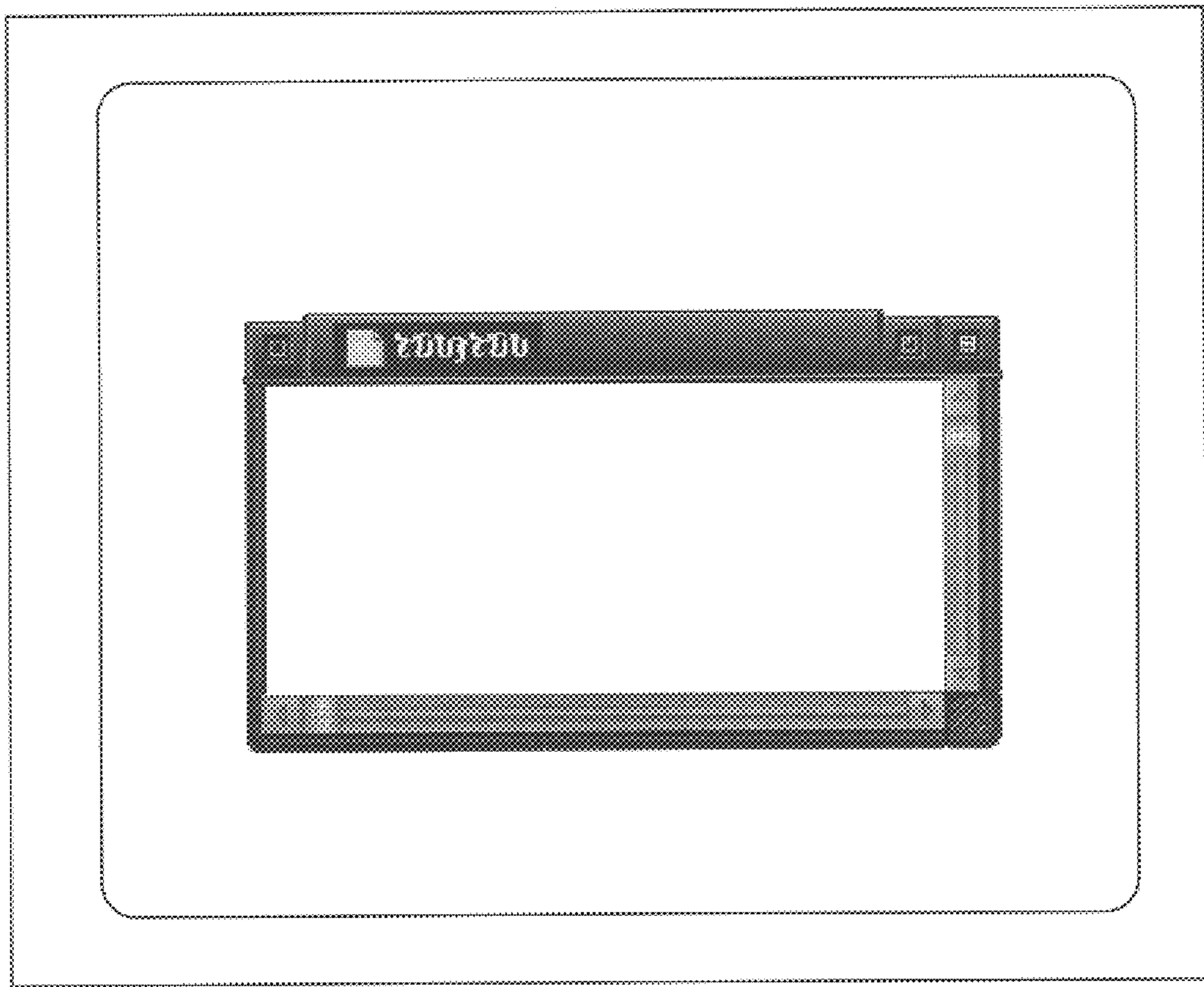


FIG. 6

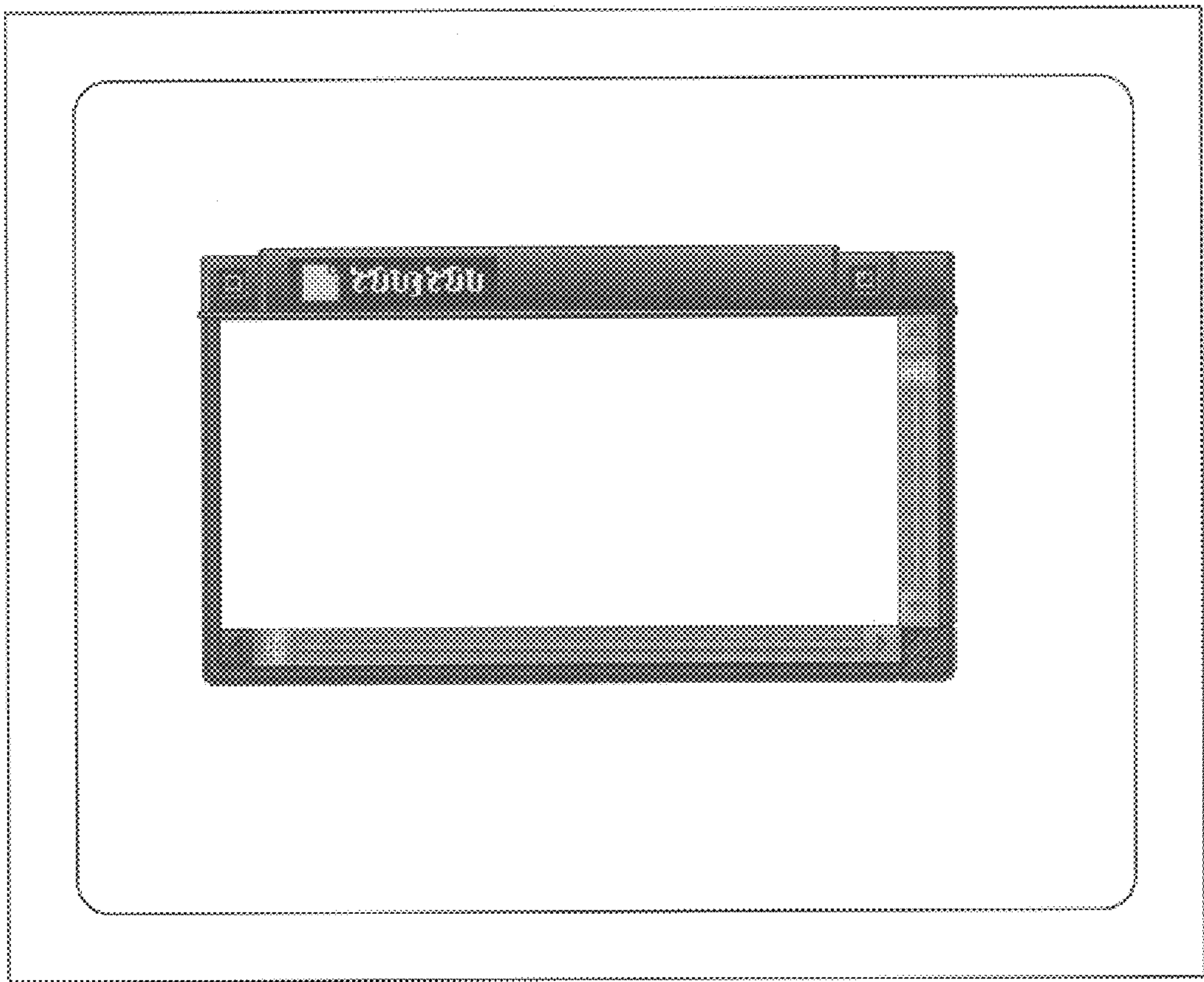


FIG. 7

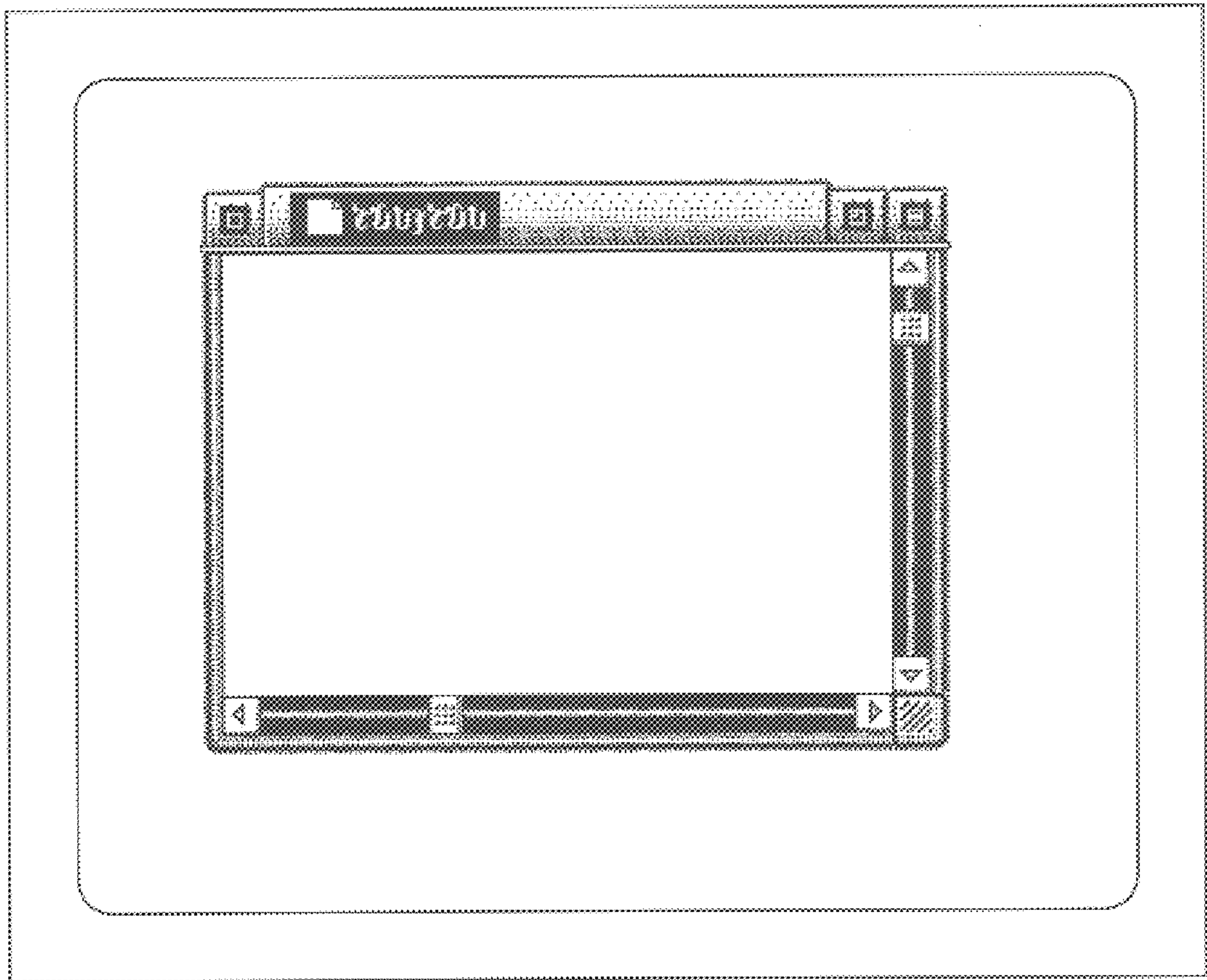


FIG. 8

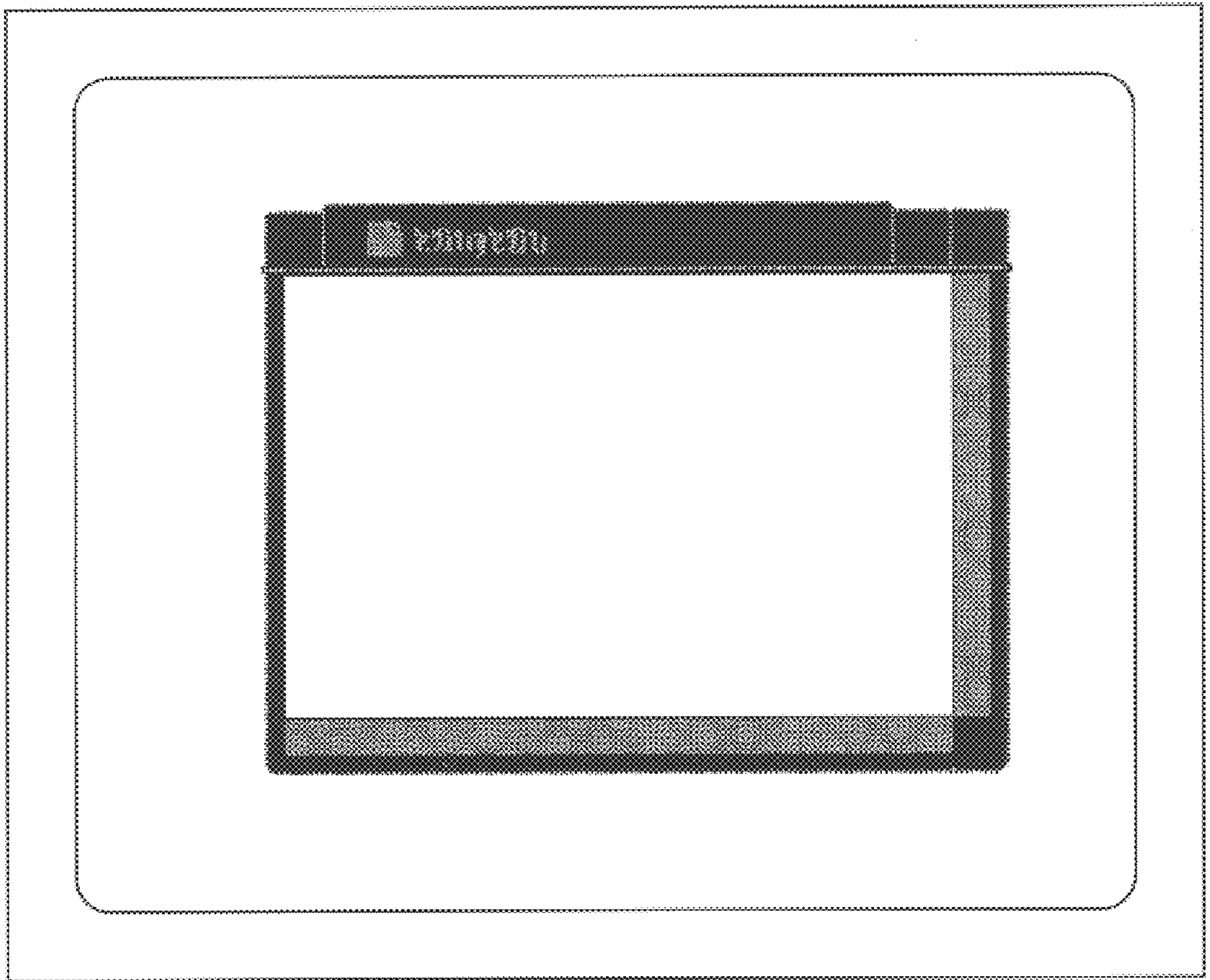


FIG. 9

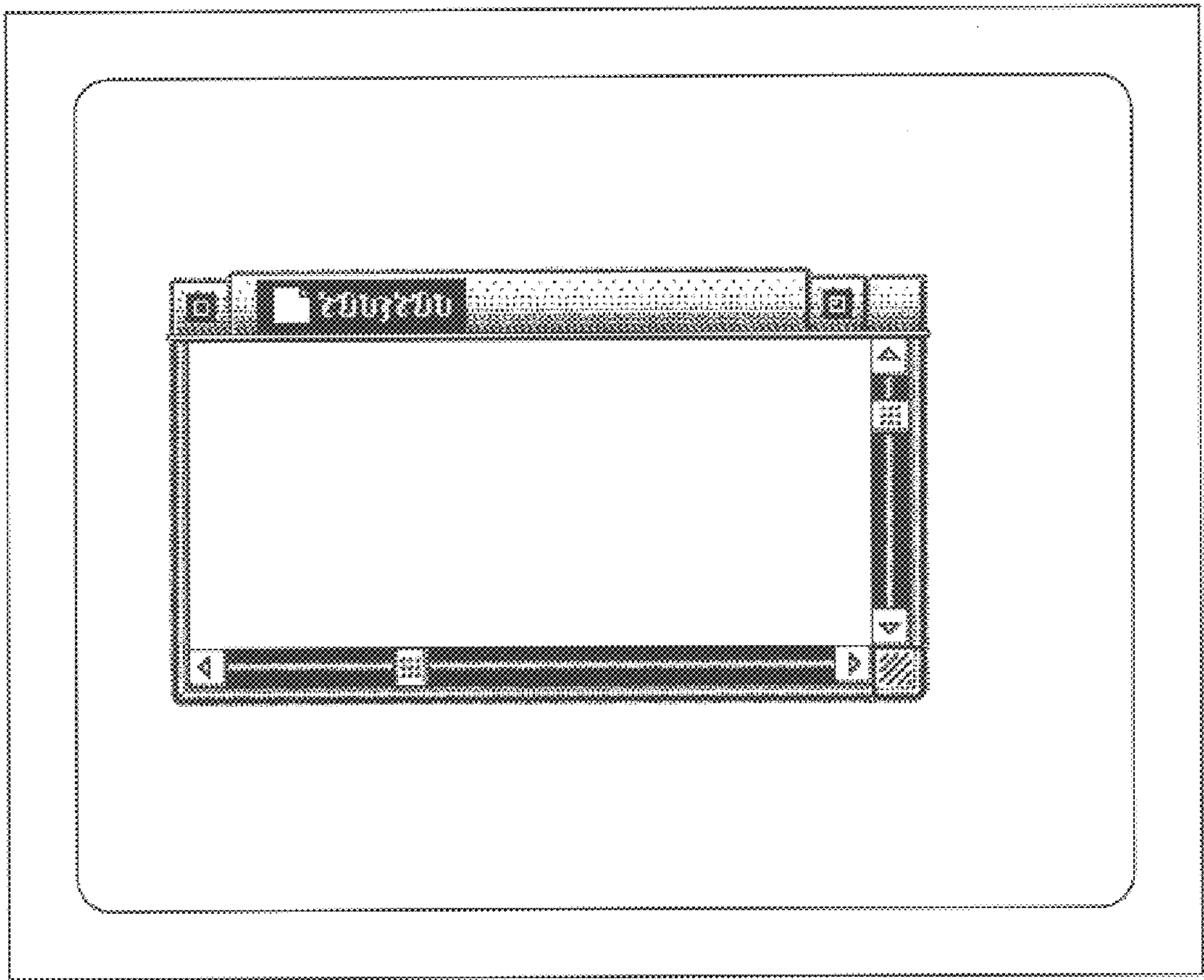


FIG. 10

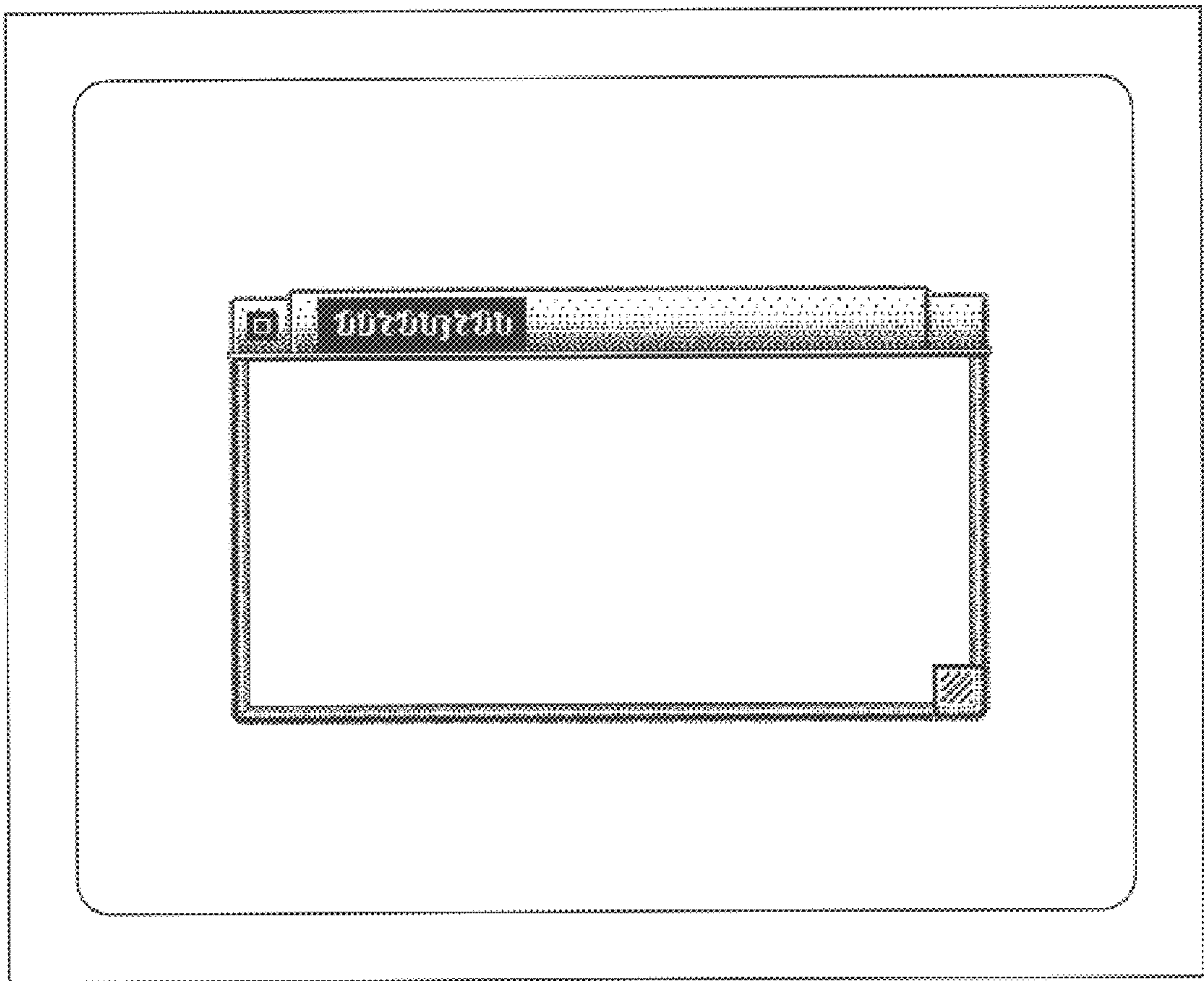


FIG. 11

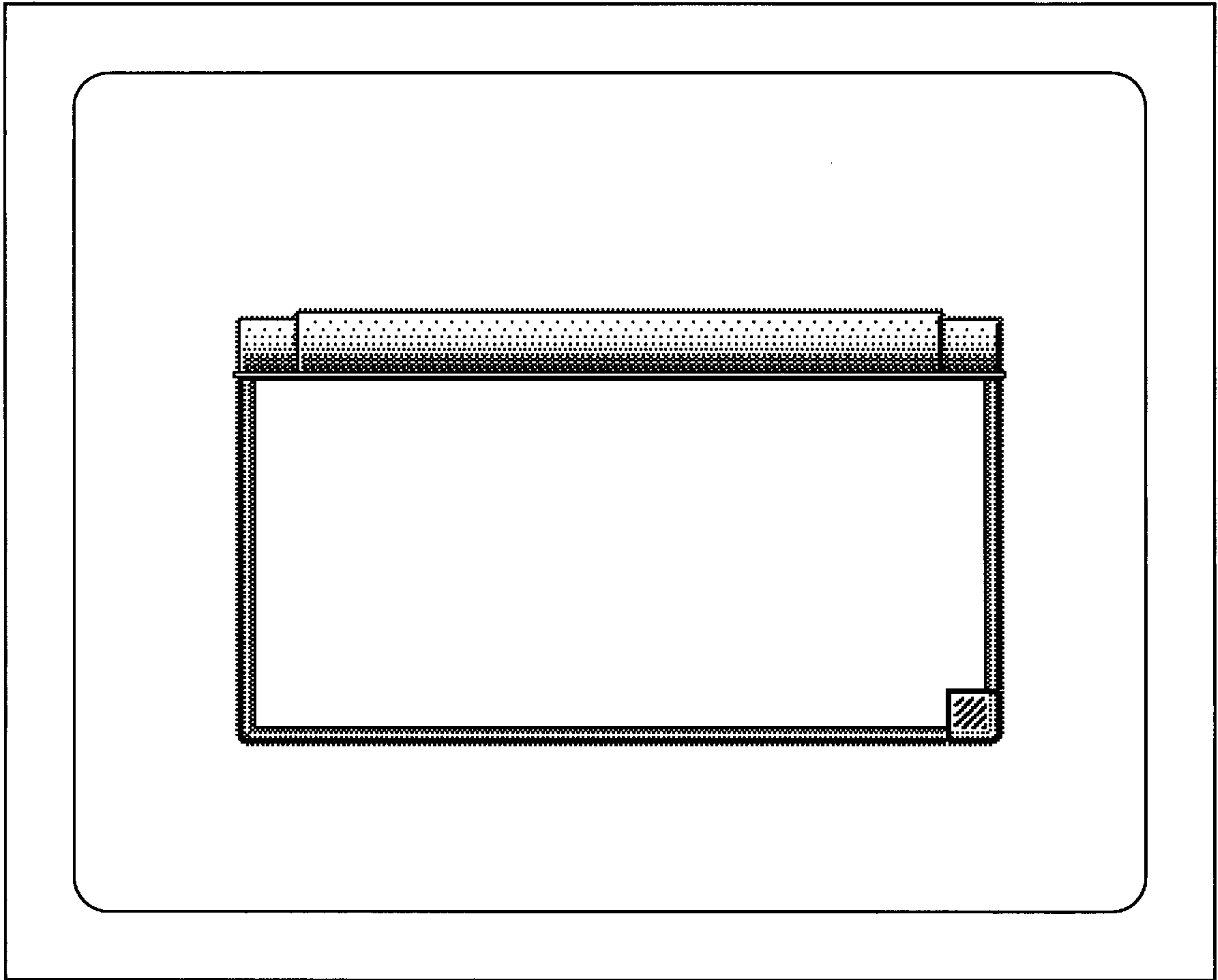


FIG. 12

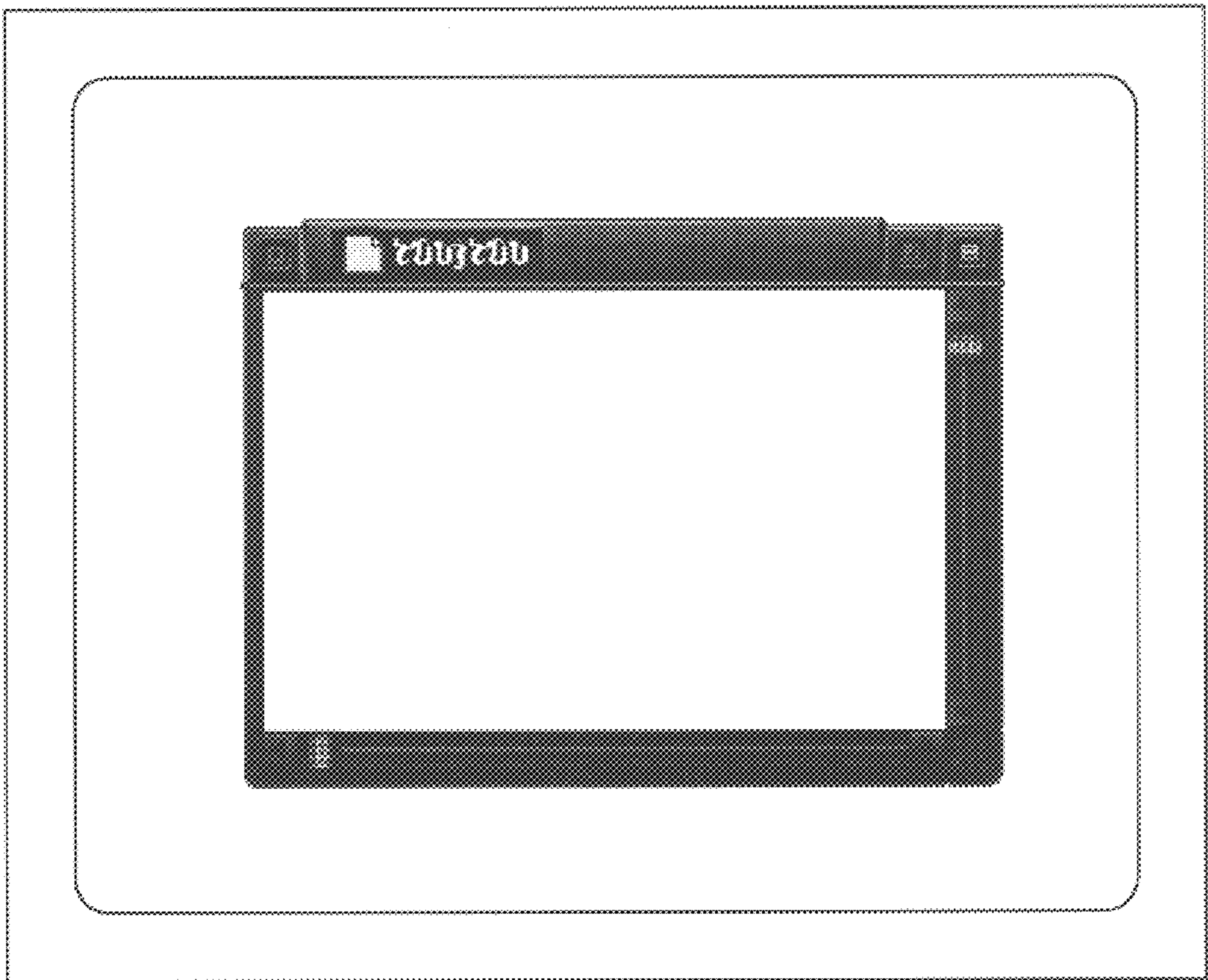


FIG. 13

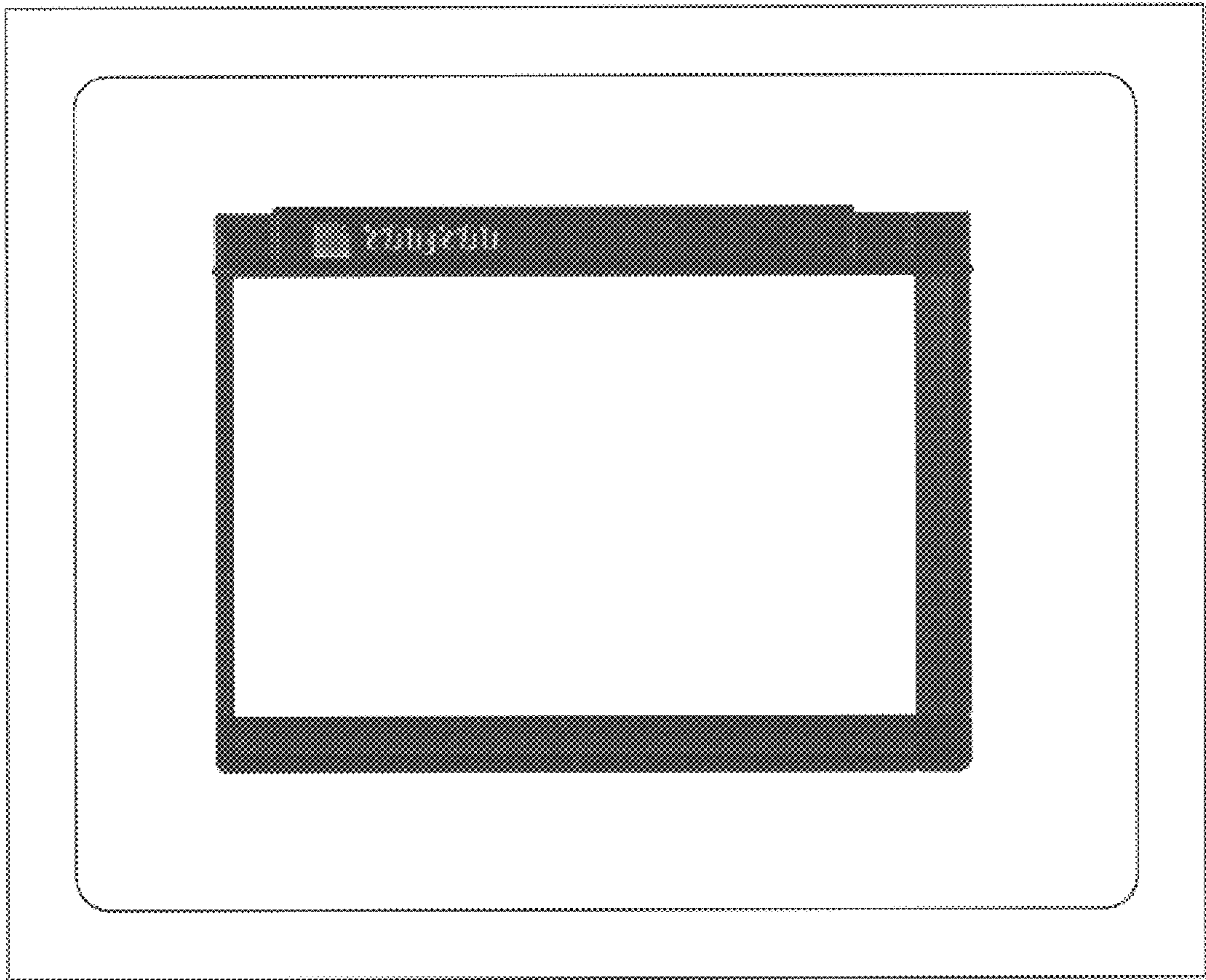


FIG. 14

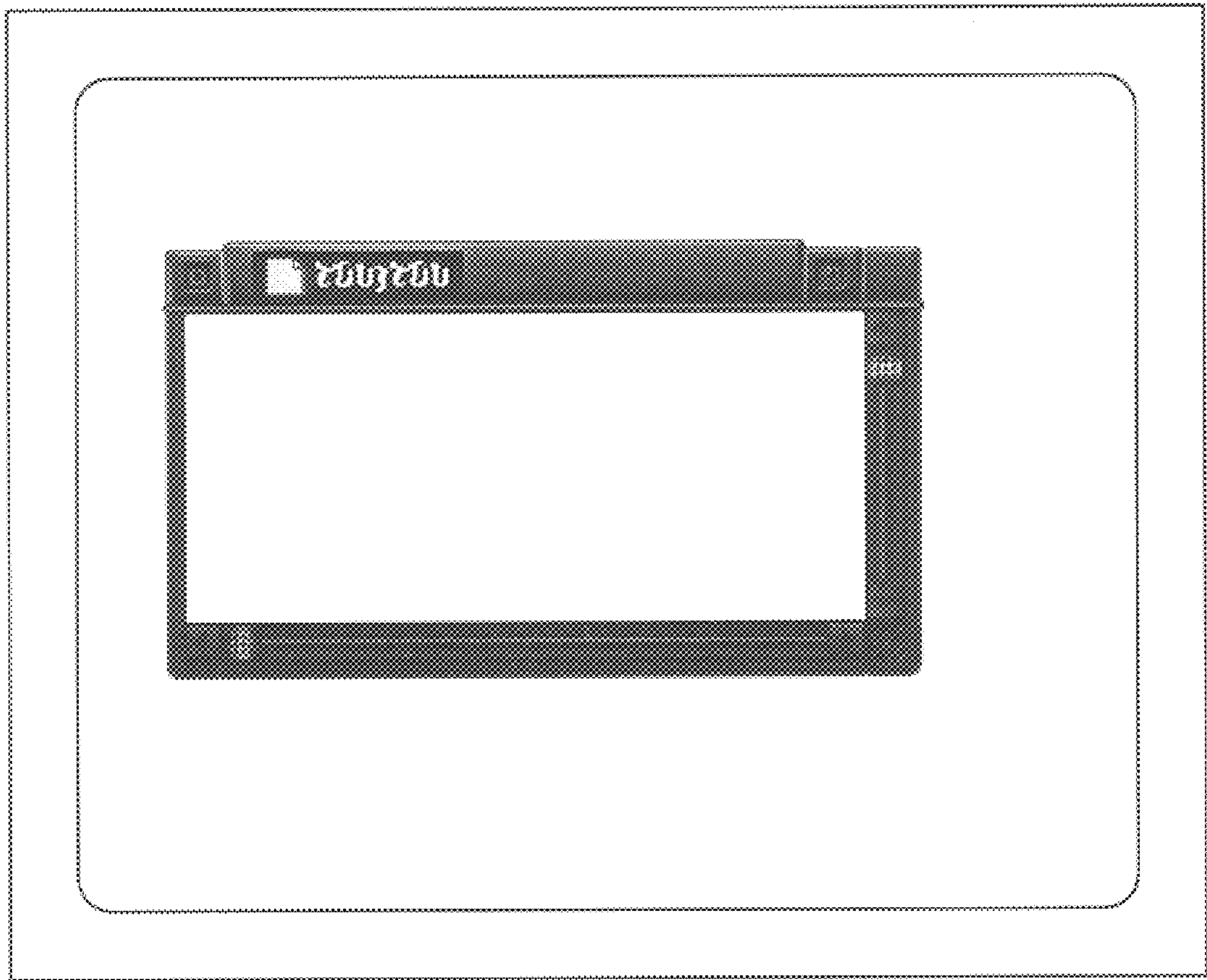


FIG. 15

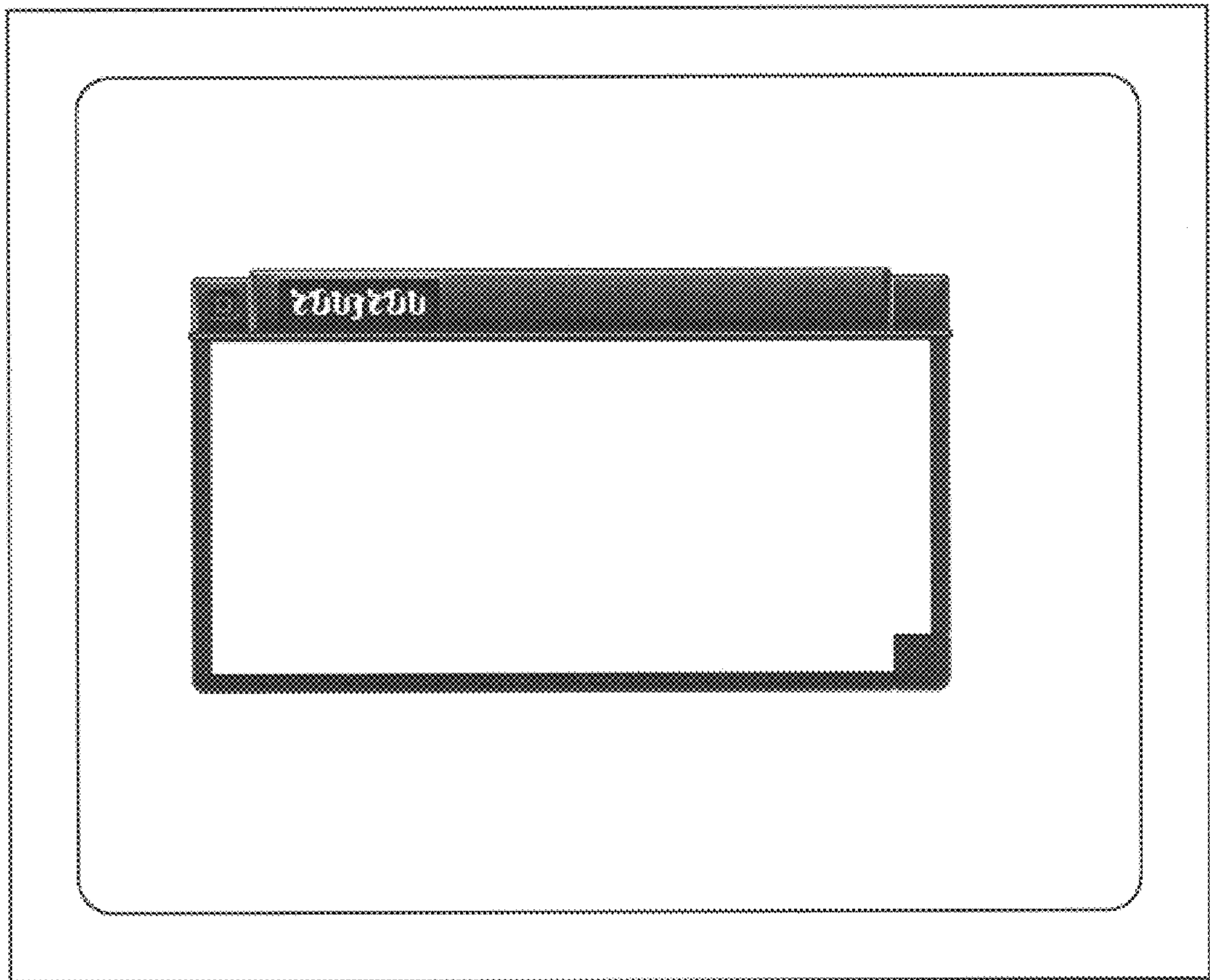


FIG. 16

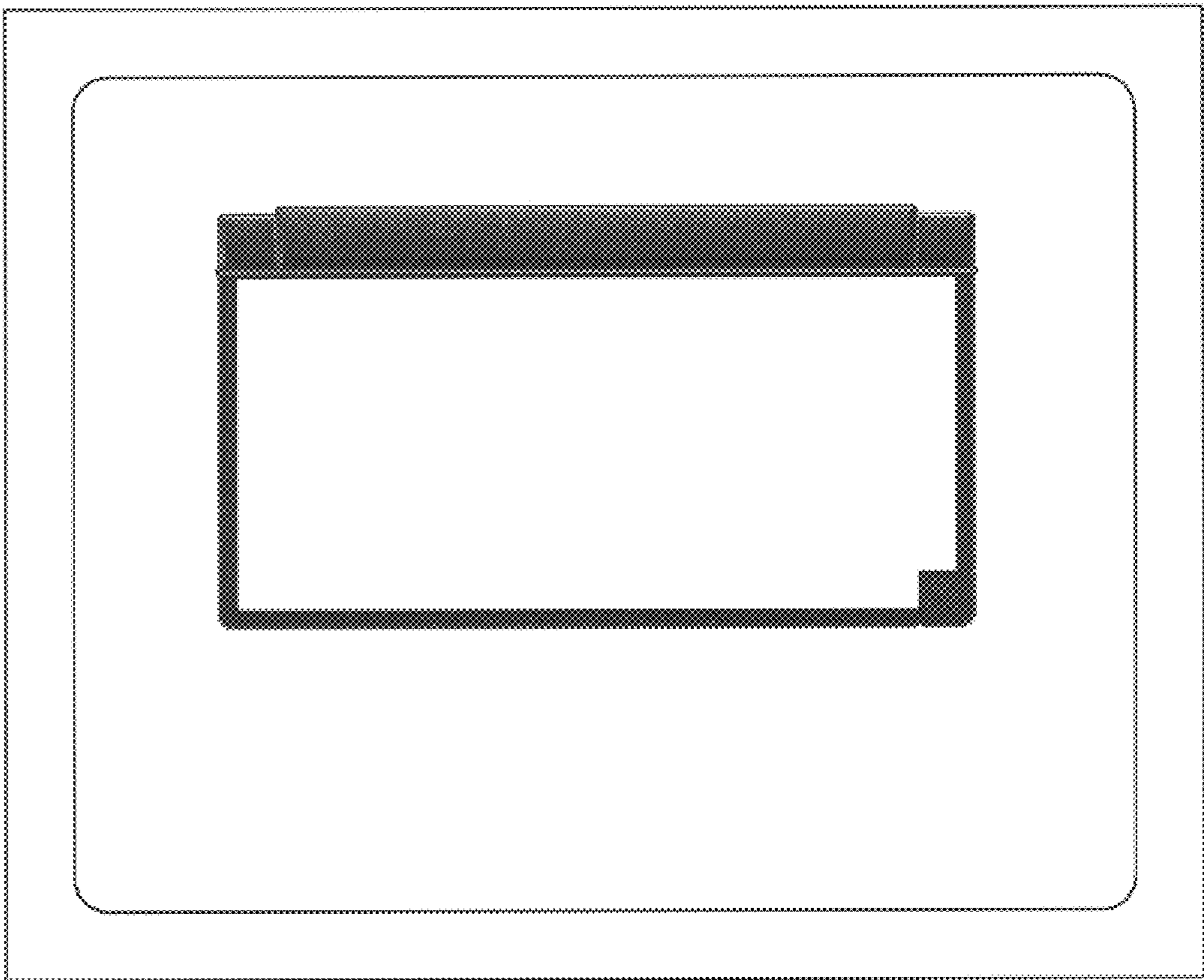


FIG. 17

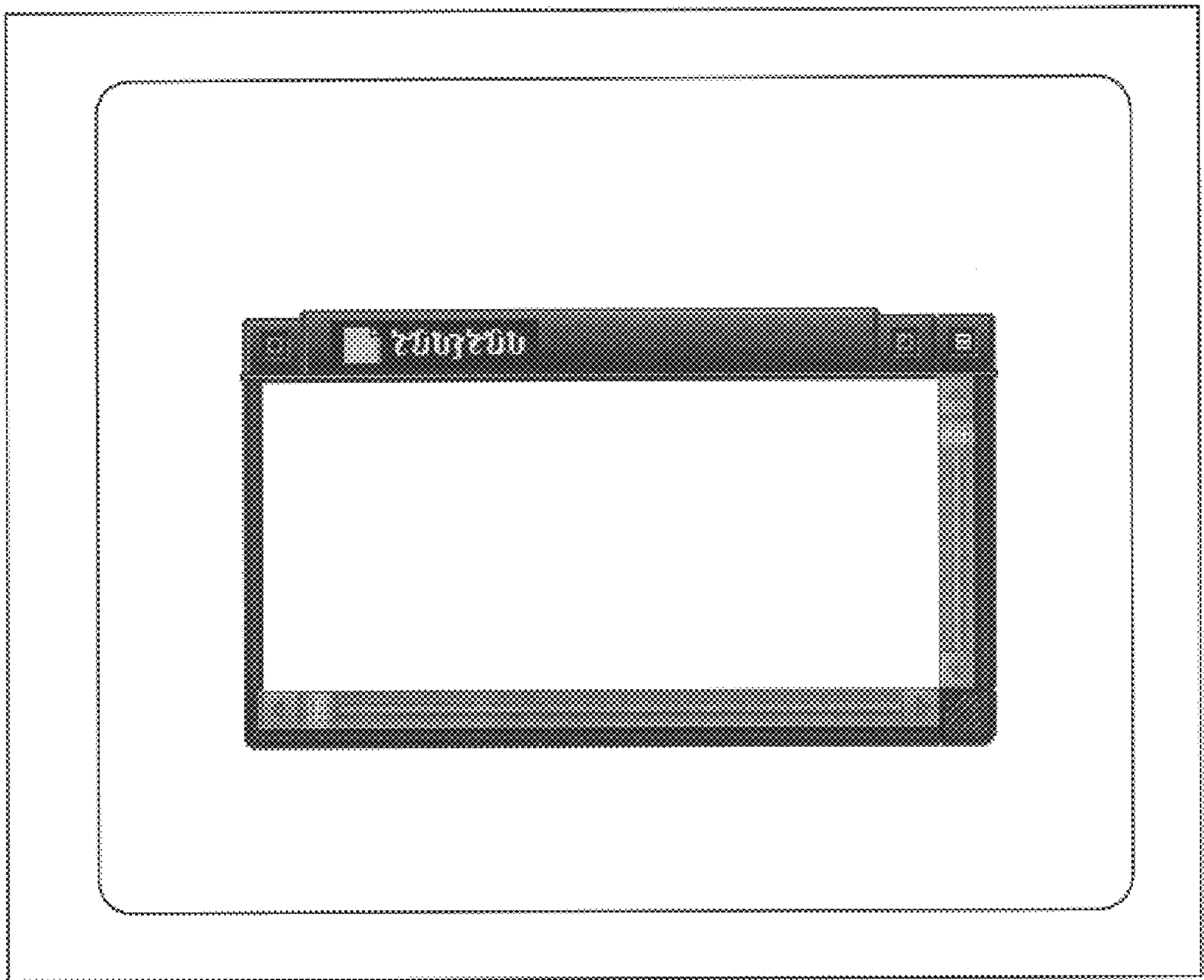


FIG. 18

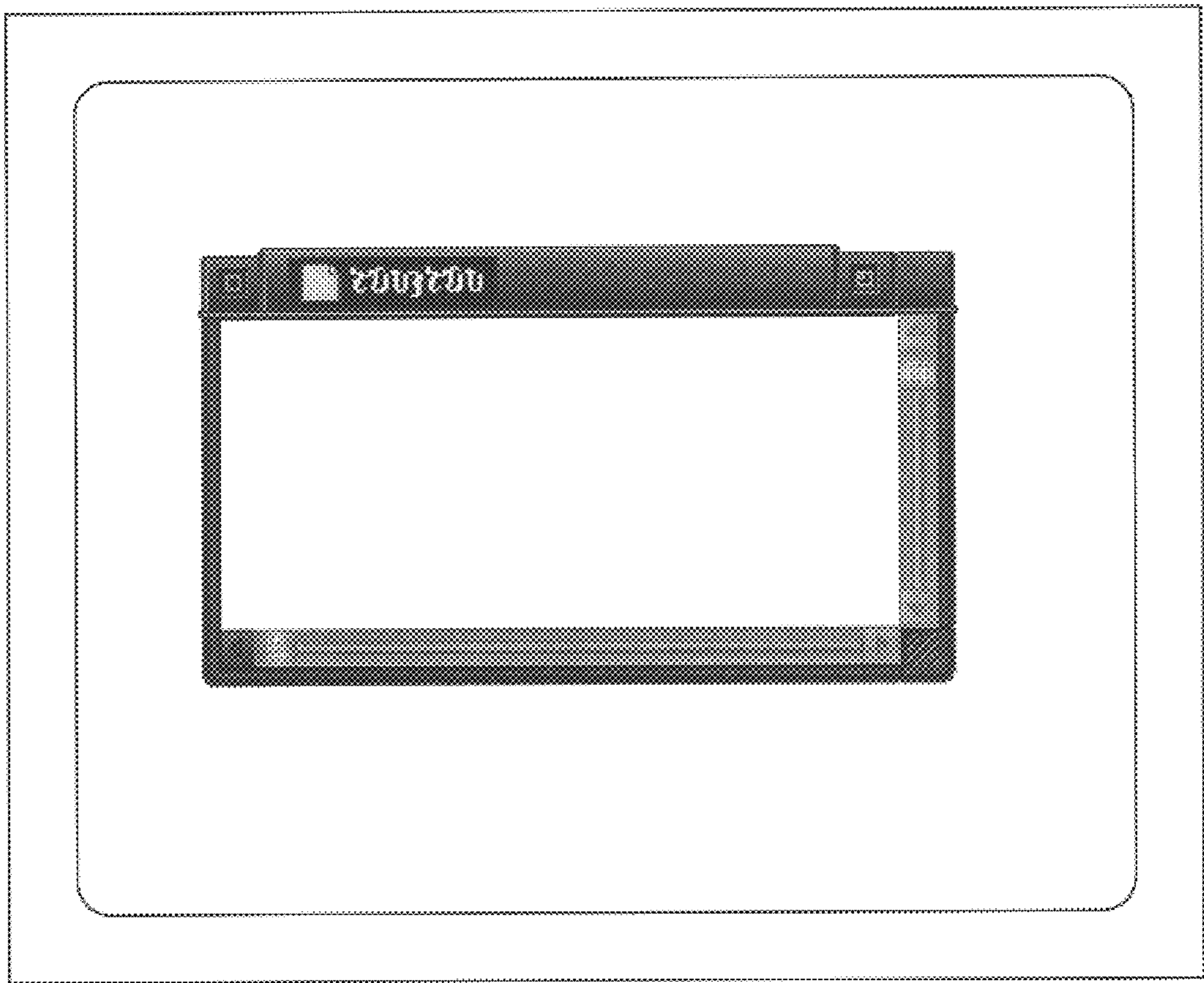


FIG. 19