



US00D426521S

United States Patent [19]
Ishii

[11] **Patent Number: Des. 426,521**
[45] **Date of Patent: ** Jun. 13, 2000**

[54] **QUARTZ FIN HEAT RETAINING TUBE**

D. 380,454 7/1997 Ewai et al. D13/182
5,303,671 4/1994 Fondo et al. 118/725
5,482,558 1/1996 Watanabe et al. 118/724

[75] Inventor: **Katsutoshi Ishii**, Kanagawa, Japan

[73] Assignee: **Tokyo Electron Limited**, Tokyo-To, Japan

Primary Examiner—Lisa Lichtenstein
Attorney, Agent, or Firm—Ladas & Parry

[**] Term: **14 Years**

[57] **CLAIM**

[21] Appl. No.: **29/074,277**

I claim the ornamental design for quartz fin heat retaining tube, as shown.

[22] Filed: **Jul. 24, 1997**

DESCRIPTION

[30] **Foreign Application Priority Data**

Jan. 31, 1997 [JP] Japan 9-2647

FIG. 1 a perspective view of a quartz fin heat retaining tube.

[51] **LOC (7) Cl.** **13-03**

FIG. 2 is a top plan view thereof.

[52] **U.S. Cl.** **D13/182**

FIG. 3 a front elevational view thereof, the rear elevational view being a mirror image of the front view.

[58] **Field of Search** D23/340; 392/416, 392/418; 118/724, 725, 500; D13/182, 179; D15/144, 144.1, 199

FIG. 4 a left side view thereof.

FIG. 5 a right side view thereof.

FIG. 6 a bottom plan view thereof.

FIG. 7 a cross sectional view thereof taken along line 7—7 in FIG. 2; and,

FIG. 8 a cross sectional view thereof taken along line 8—8 in FIG. 3.

[56] **References Cited**

U.S. PATENT DOCUMENTS

D. 361,752 8/1995 Yamaga D13/182

1 Claim, 4 Drawing Sheets

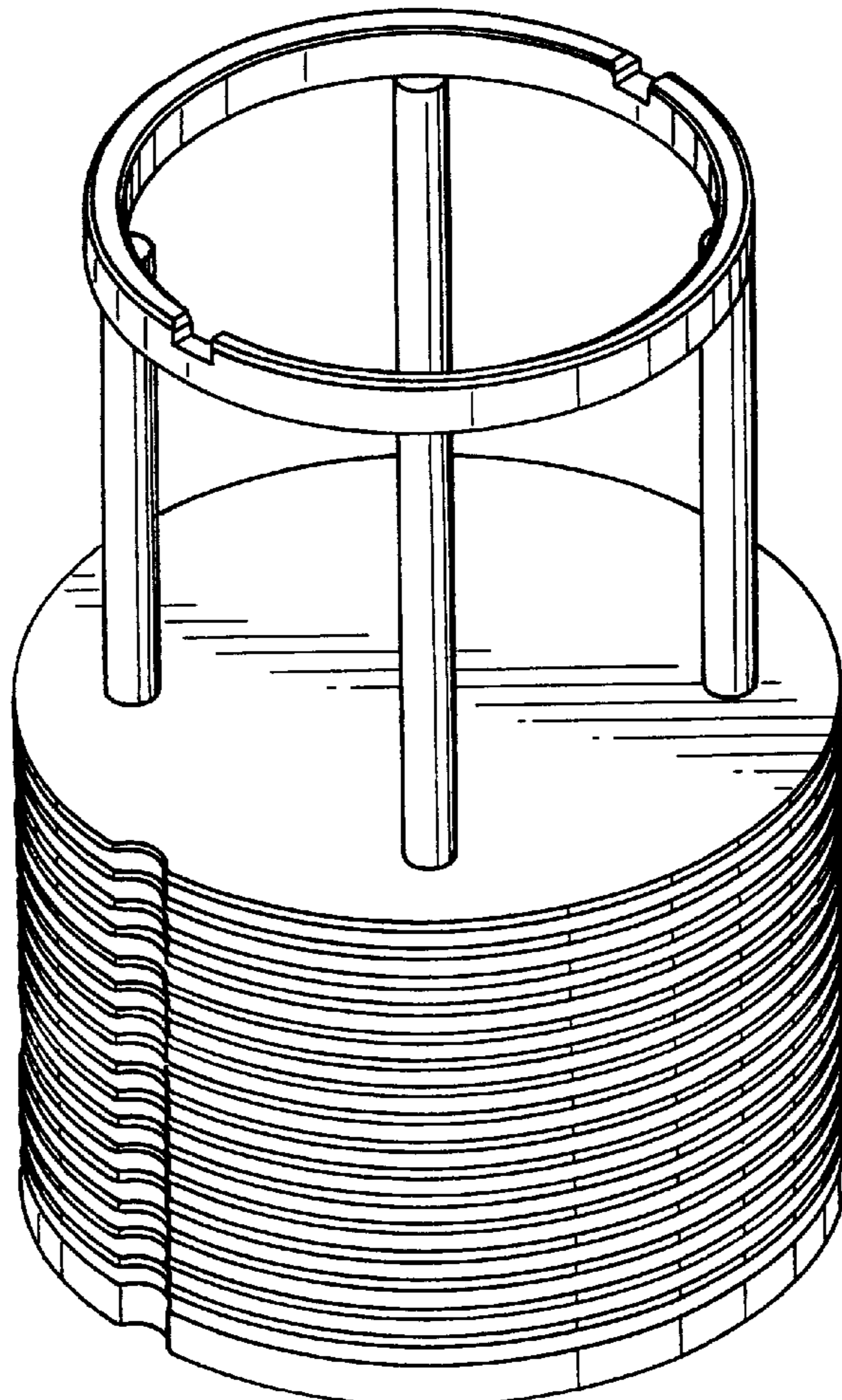


FIG. 1

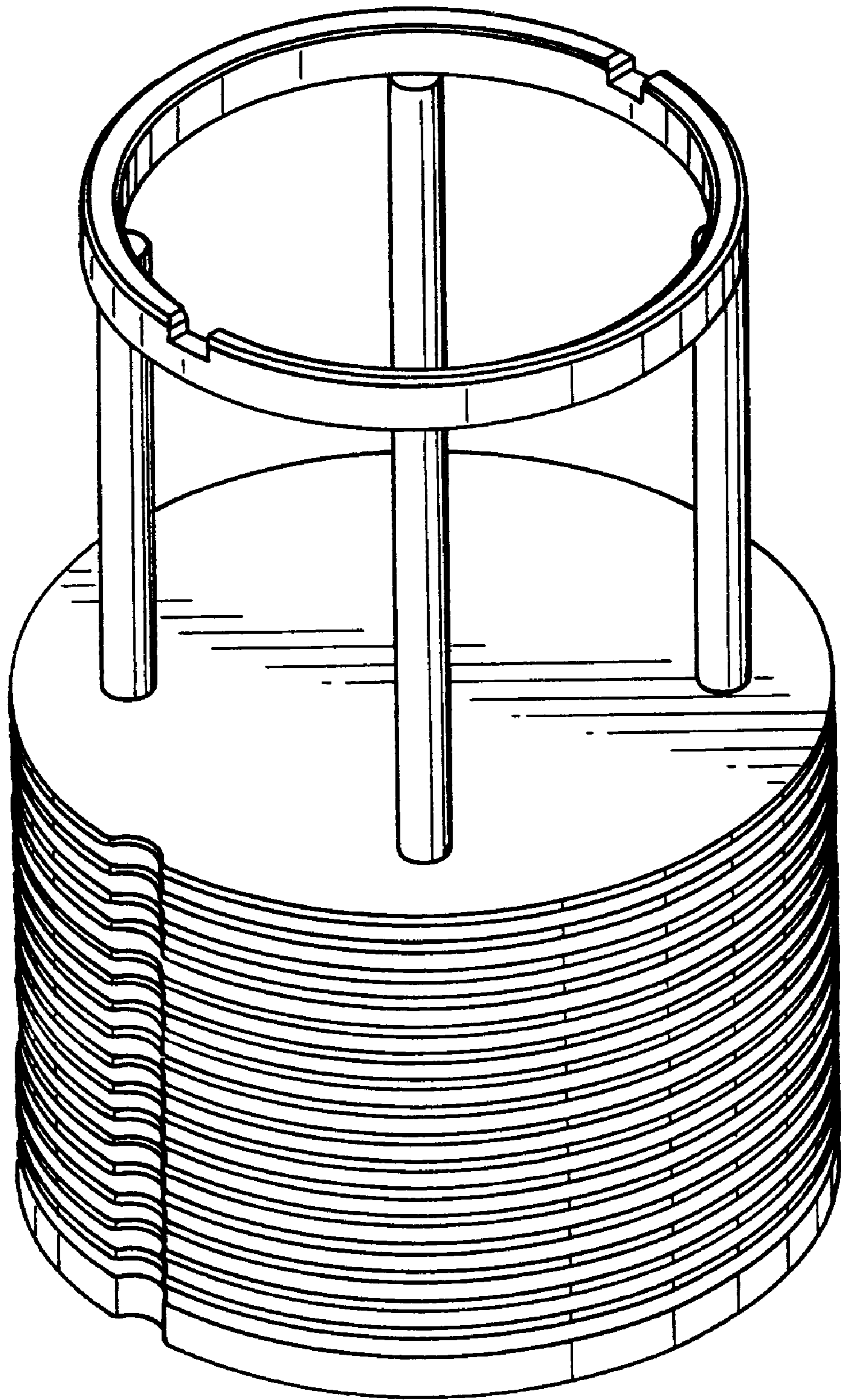


FIG. 2

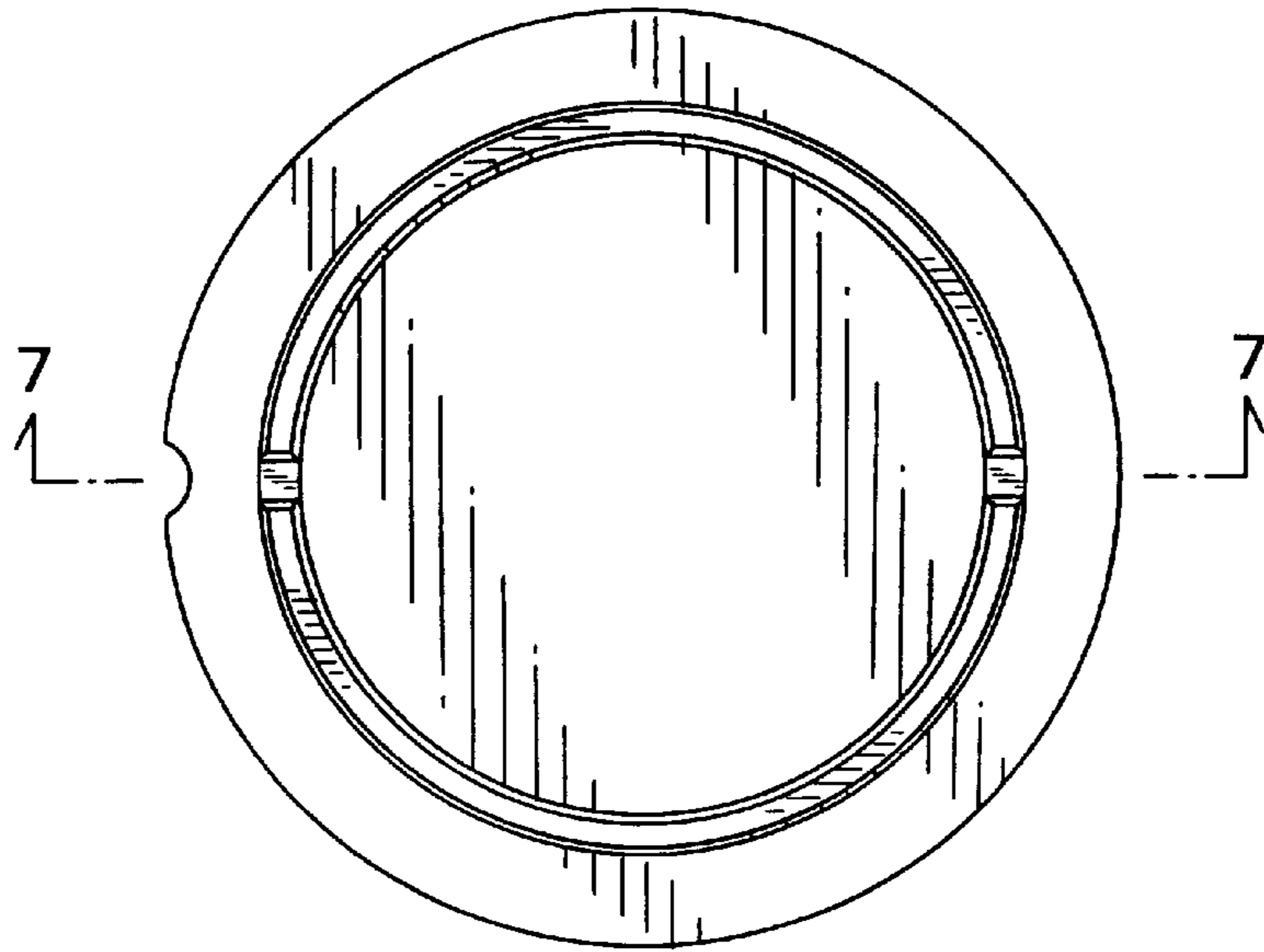
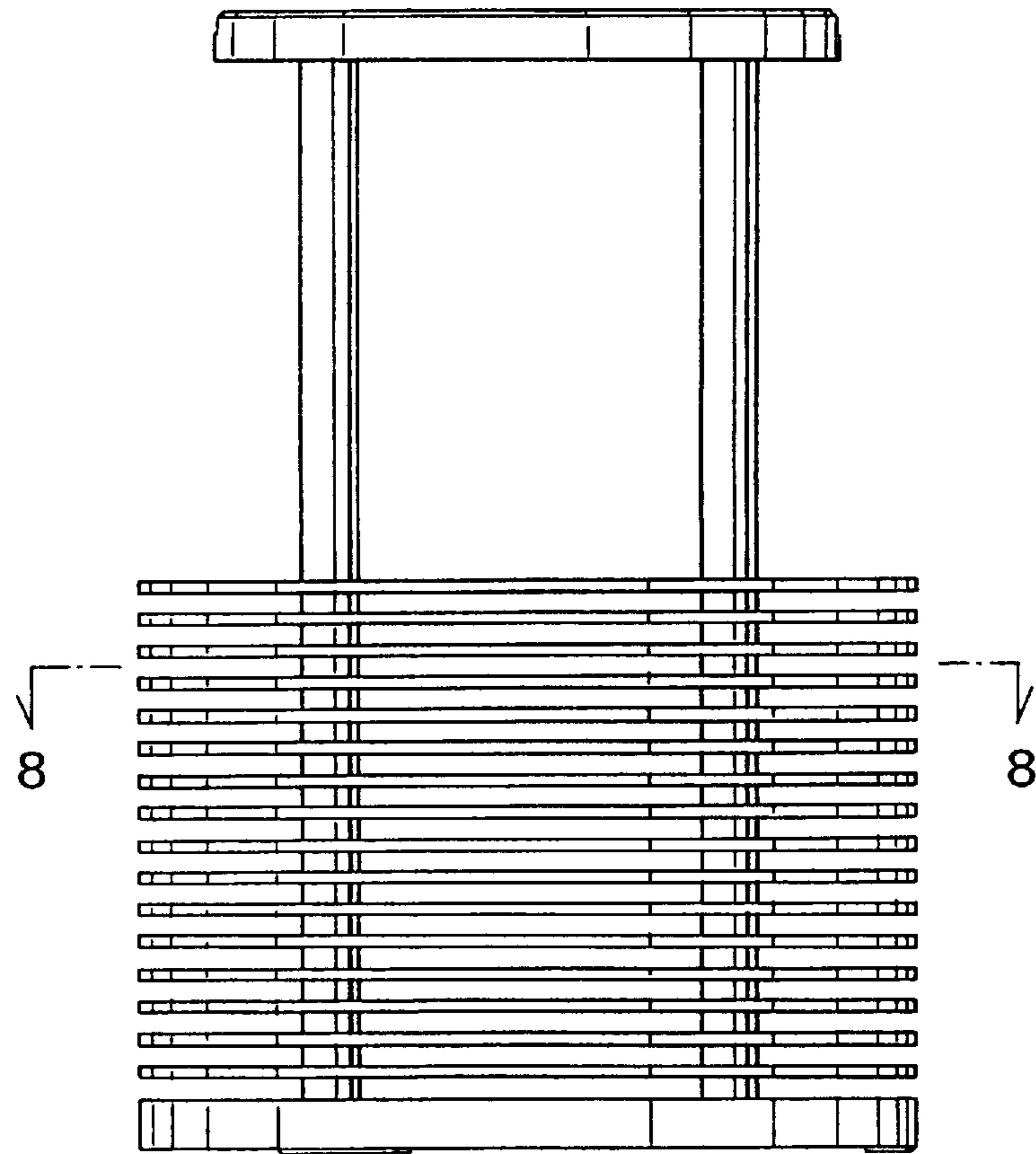
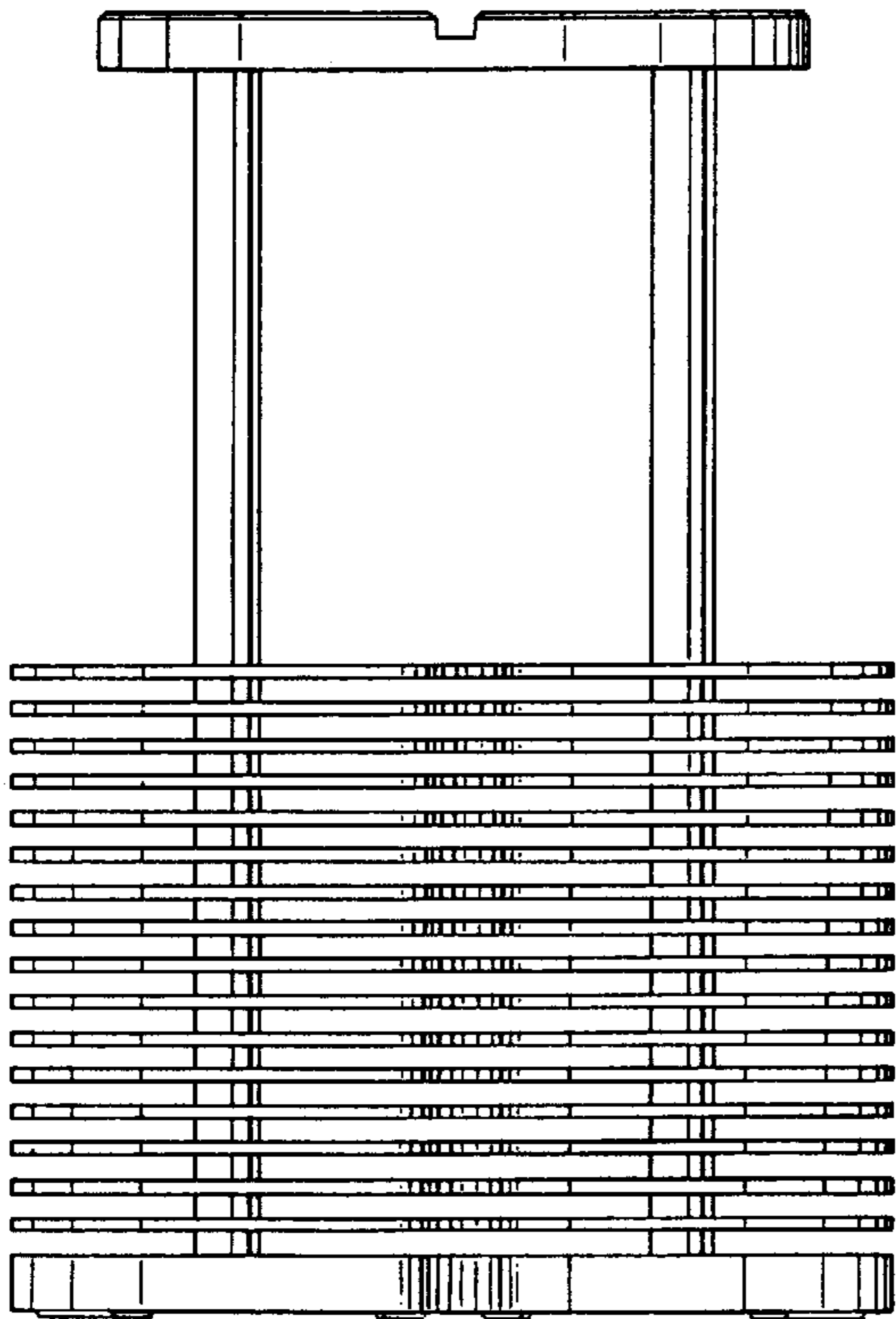


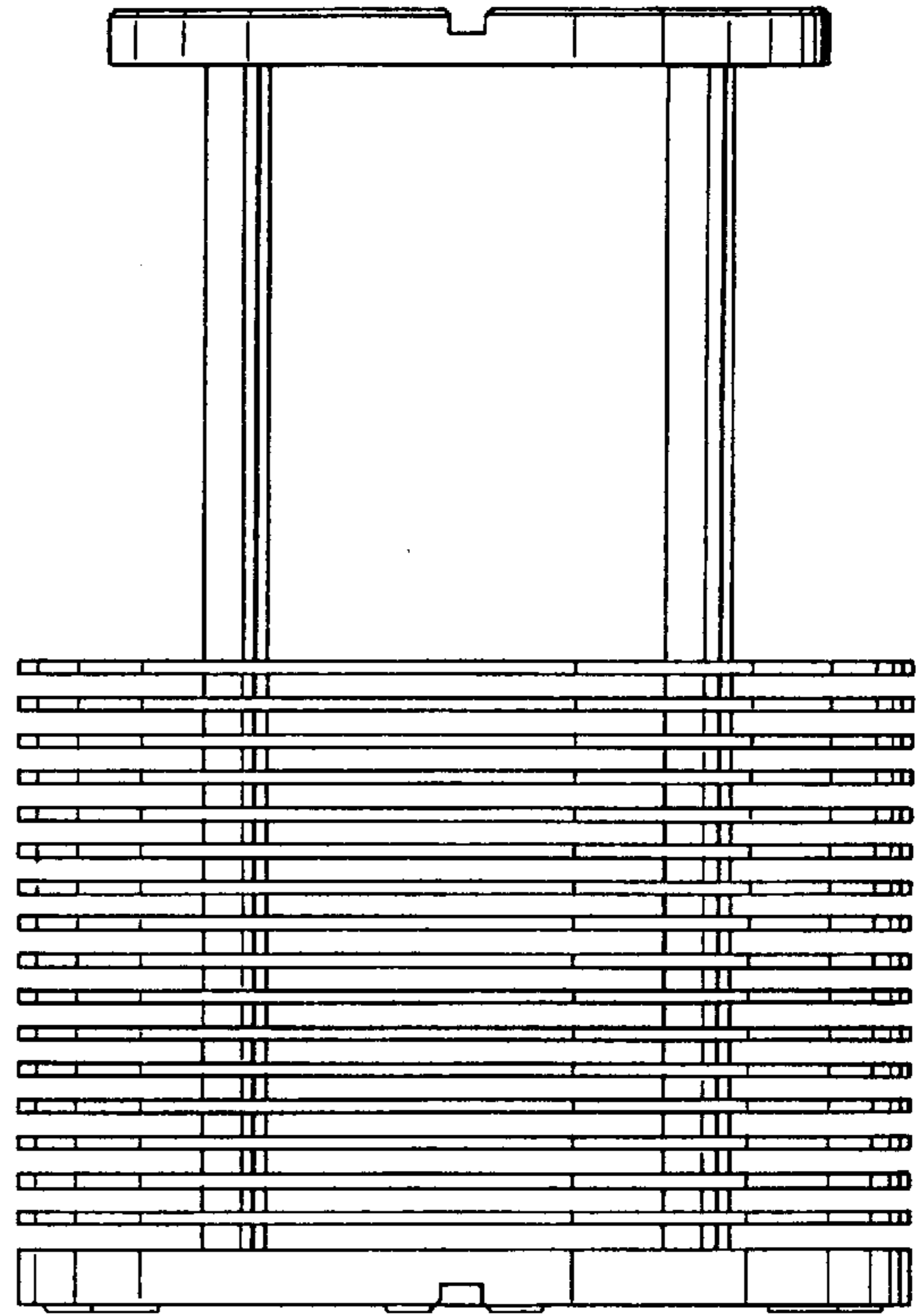
FIG. 3



F I G . 4



F I G . 5



F I G . 6

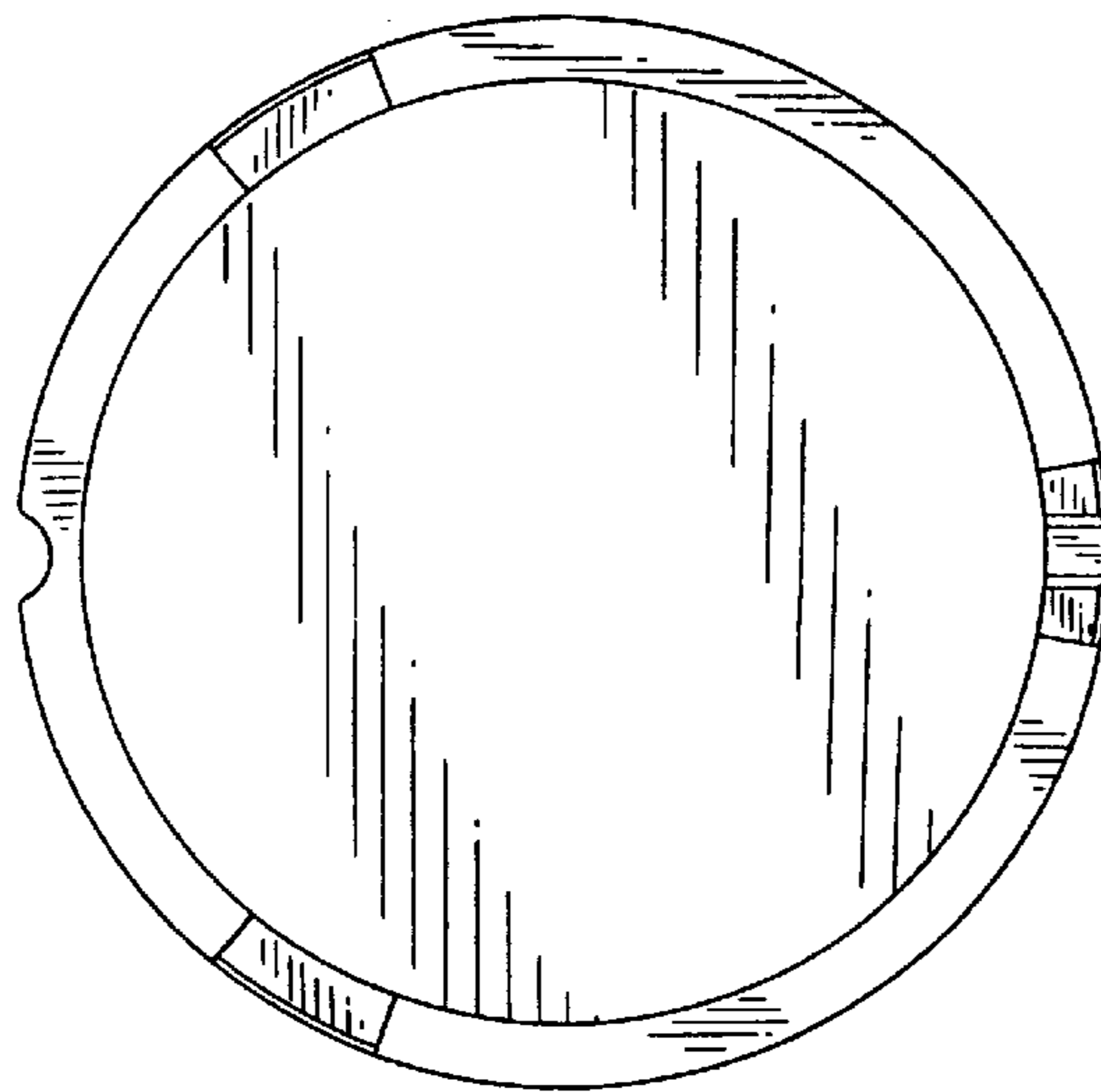


FIG. 7

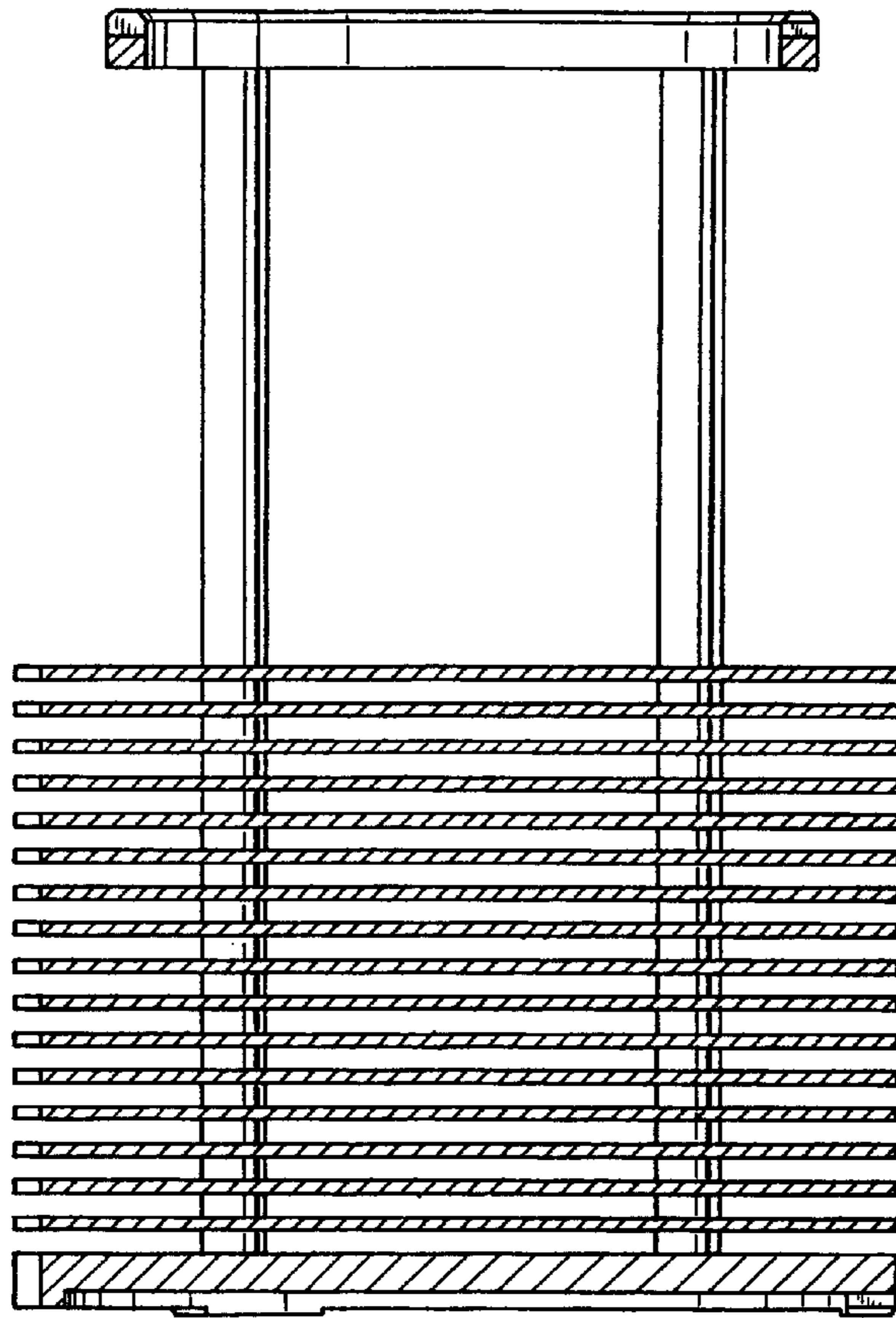


FIG. 8

