



US00D426520S

United States Patent [19] Goins

[11] Patent Number: Des. 426,520

[45] Date of Patent: ** Jun. 13, 2000

[54] ELECTRICAL OUTLET TREE

[76] Inventor: Deborah Goins, 6444 S. Maplewood, Chicago, Ill. 60629

[**] Term: 14 Years

[21] Appl. No.: 29/102,126

[22] Filed: Mar. 18, 1999

[51] LOC (7) Cl. 13-03

[52] U.S. Cl. D13/139.2; D13/139.1

[58] Field of Search D13/139.1, 139.2, D13/139.5, 139.6, 139.7, 139.8, 137.1-137.4; 429/954, 650-653

[56] **References Cited**

U.S. PATENT DOCUMENTS

D. 194,870	3/1963	Hill	D13/139.1
D. 237,718	11/1975	Bozich	D13/139.5
D. 365,802	1/1996	Fladung	D13/139.8
D. 391,550	3/1998	Stekelenburg	D13/137.1

Primary Examiner—Susan J. Lucas
Assistant Examiner—Jennifer Rivard

[57] **CLAIM**

The ornamental design for an electrical outlet tree, as shown and described.

DESCRIPTION

FIG. 1 is a front elevational view of the electrical outlet tree of the present invention, the rear elevational view being a mirror image thereof;

FIG. 2 is a top plan view of the electrical outlet tree of FIG. 1; and,

FIG. 3 is a left side elevational view of the electrical outlet tree of FIG. 1;

FIG. 4 is a right side elevational view of the electrical outlet tree of FIG. 1; and,

FIG. 5 is a bottom plan view of the electrical outlet tree of FIG. 1.

1 Claim, 3 Drawing Sheets

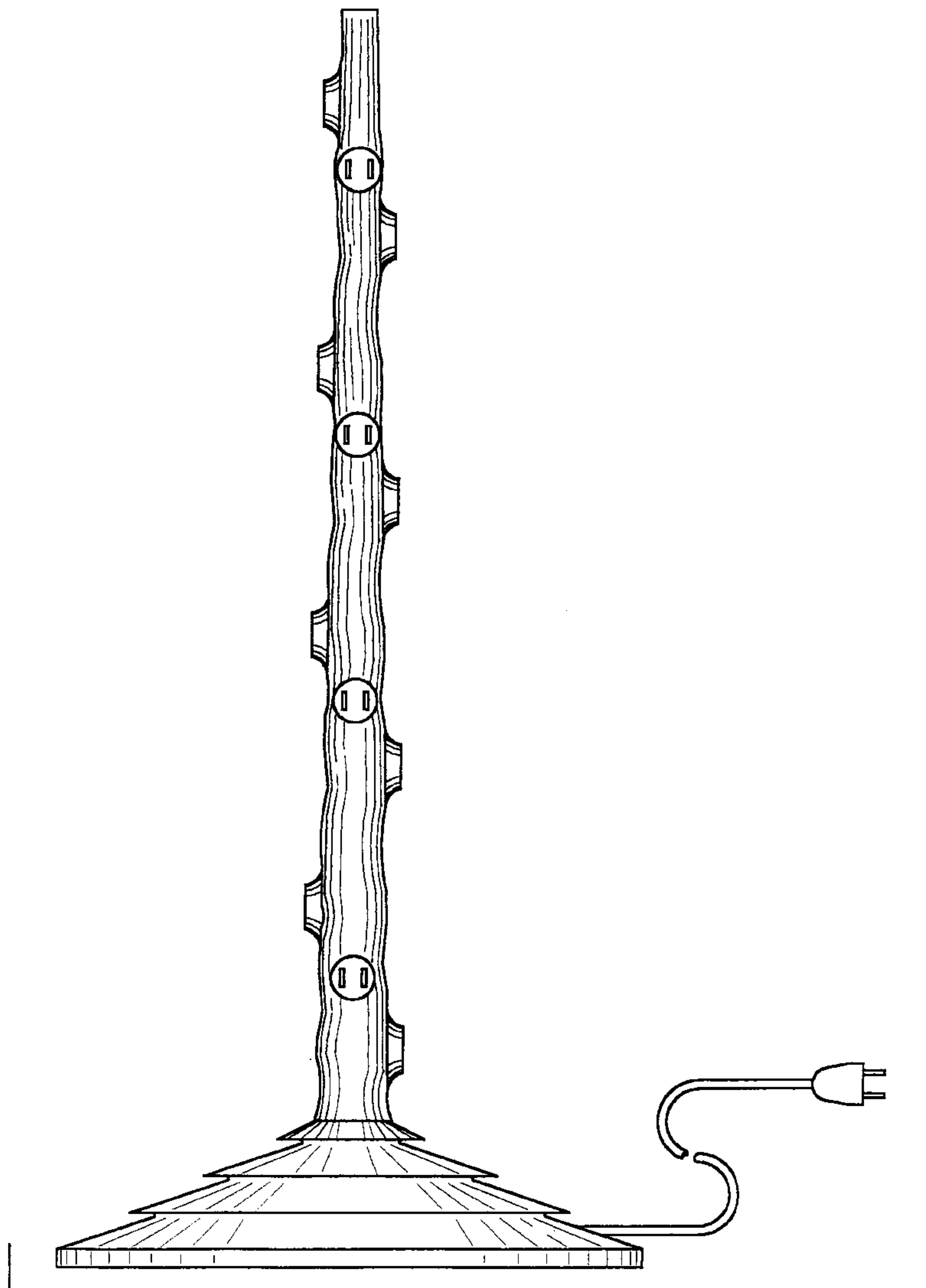


Fig. 1

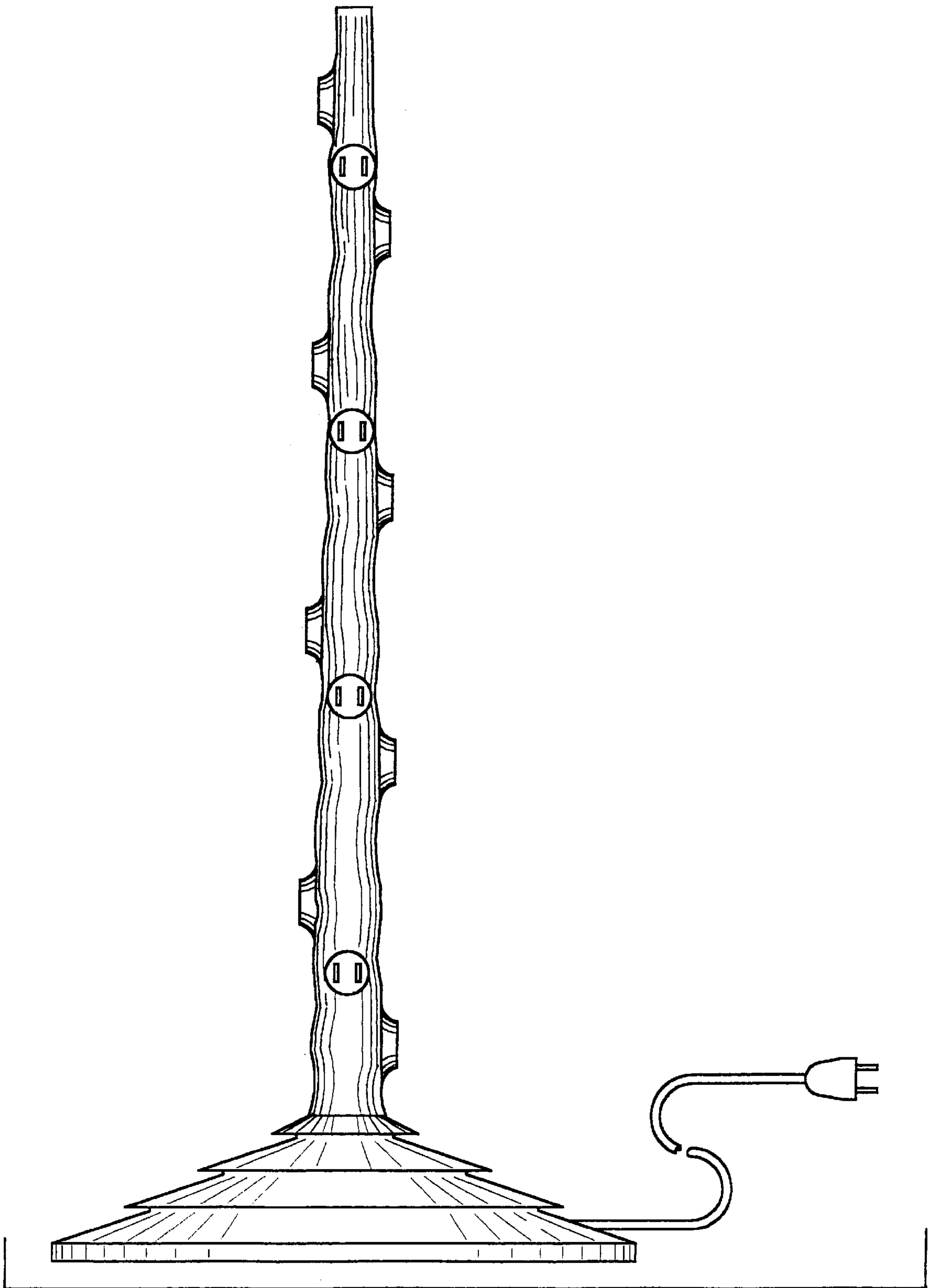


Fig. 2

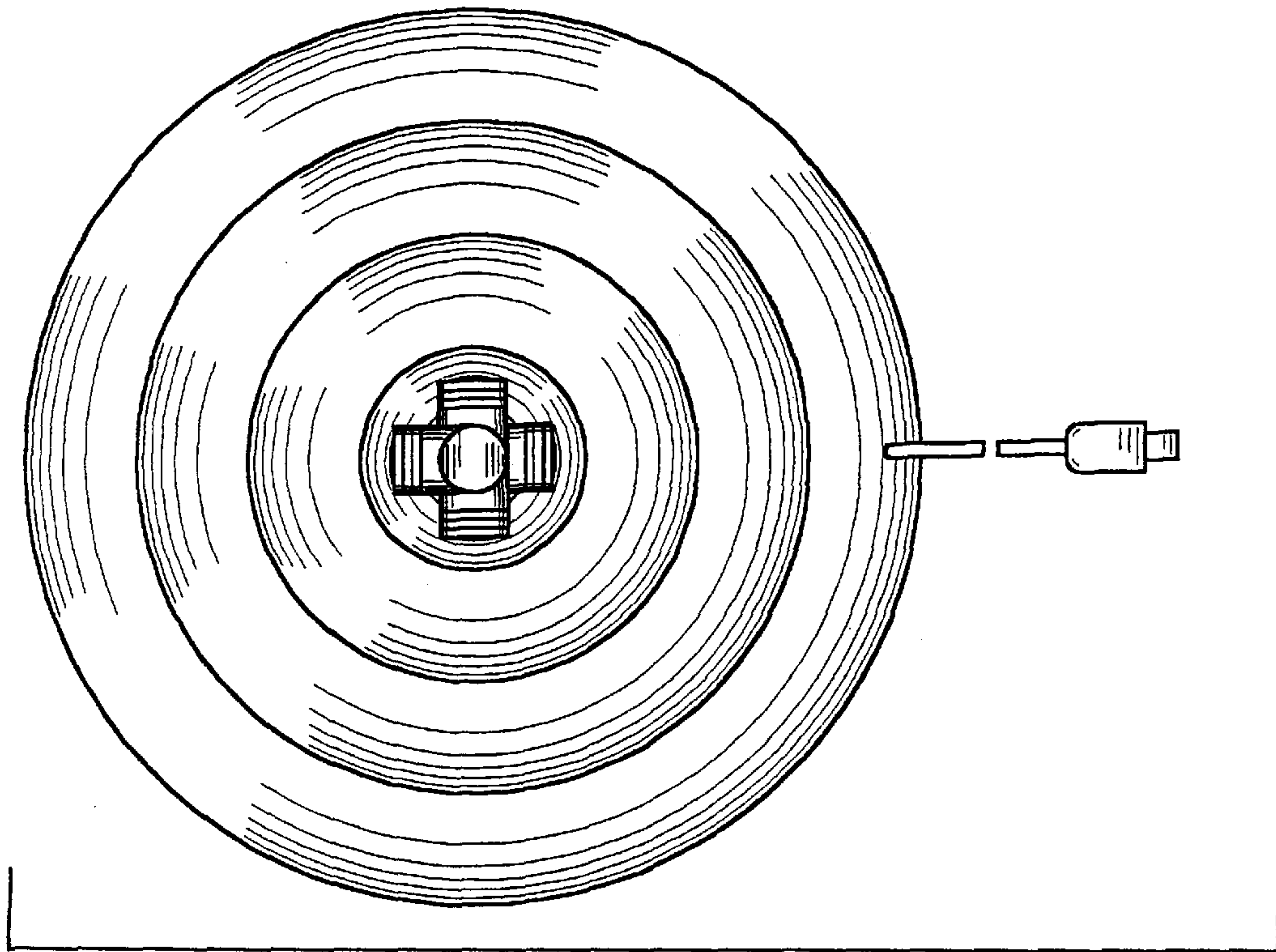
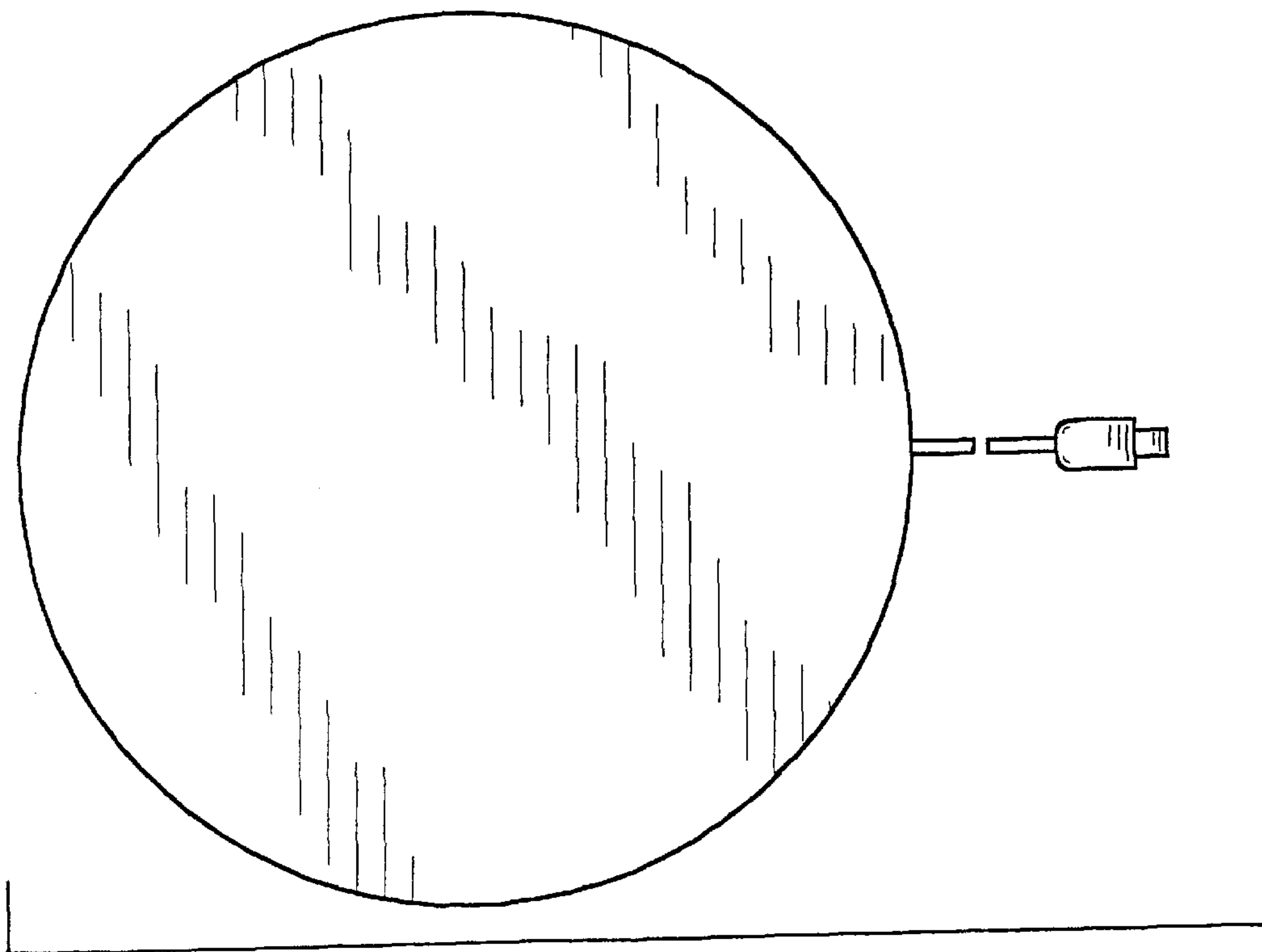


Fig. 5



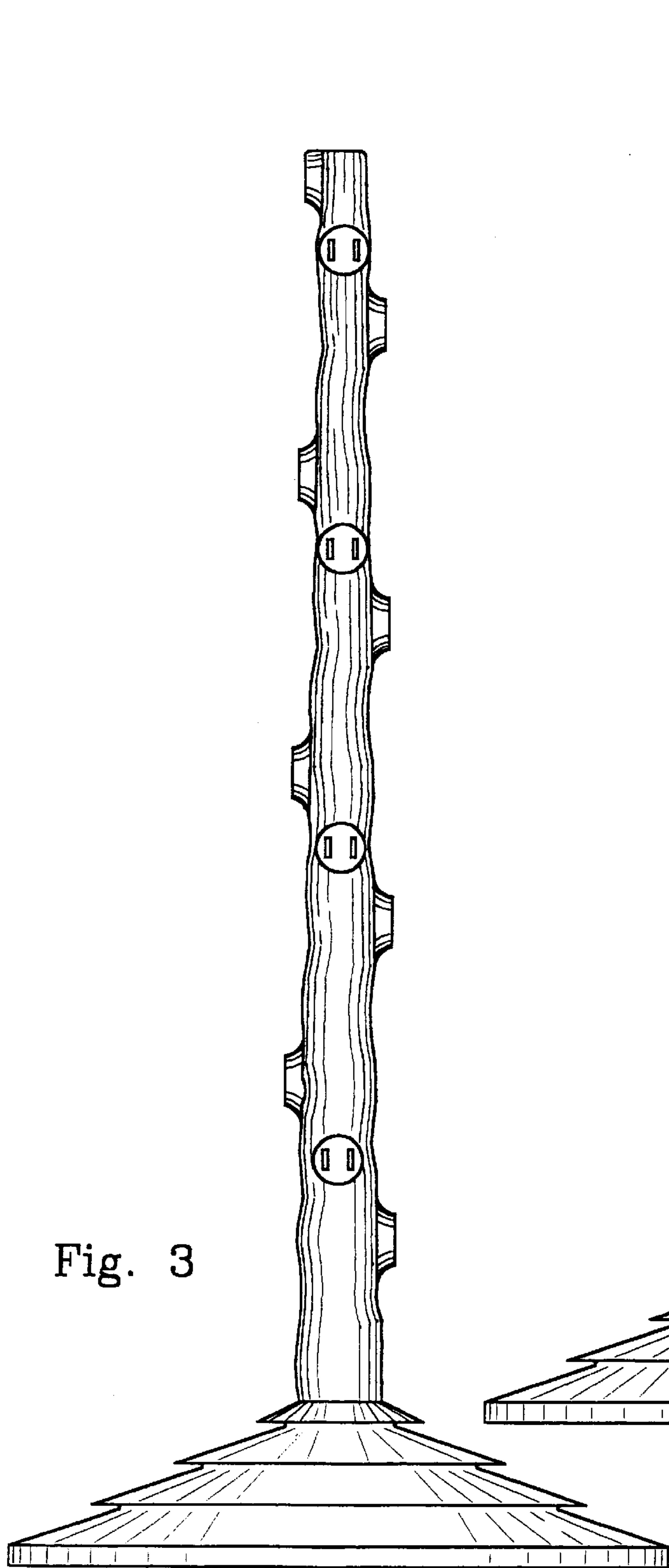


Fig. 3

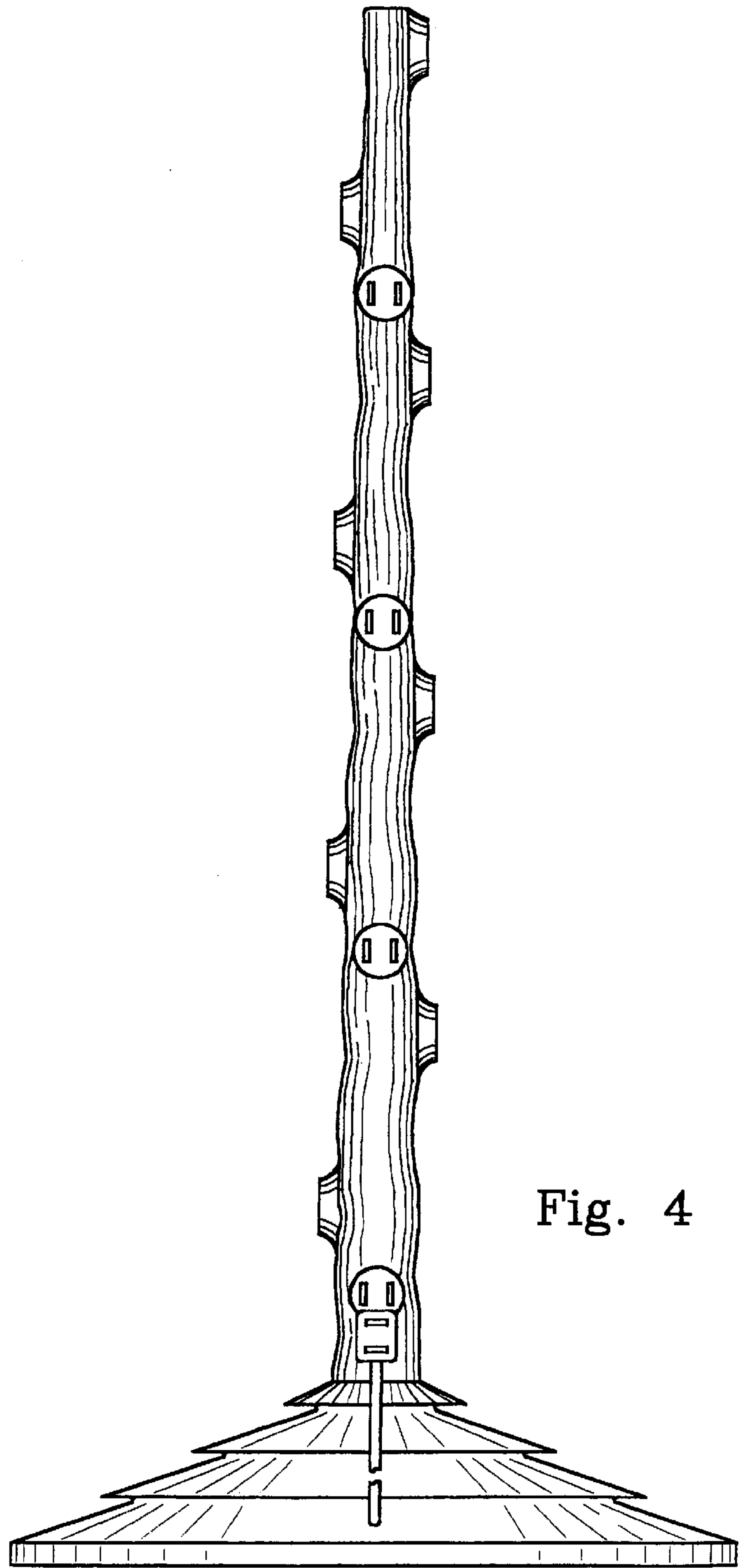


Fig. 4